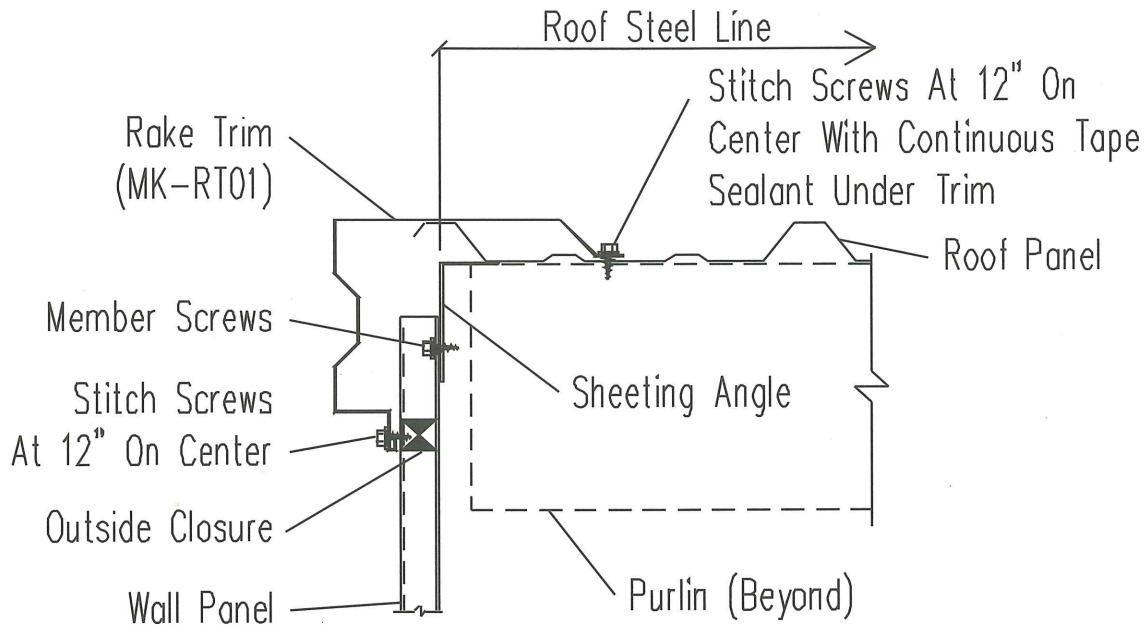


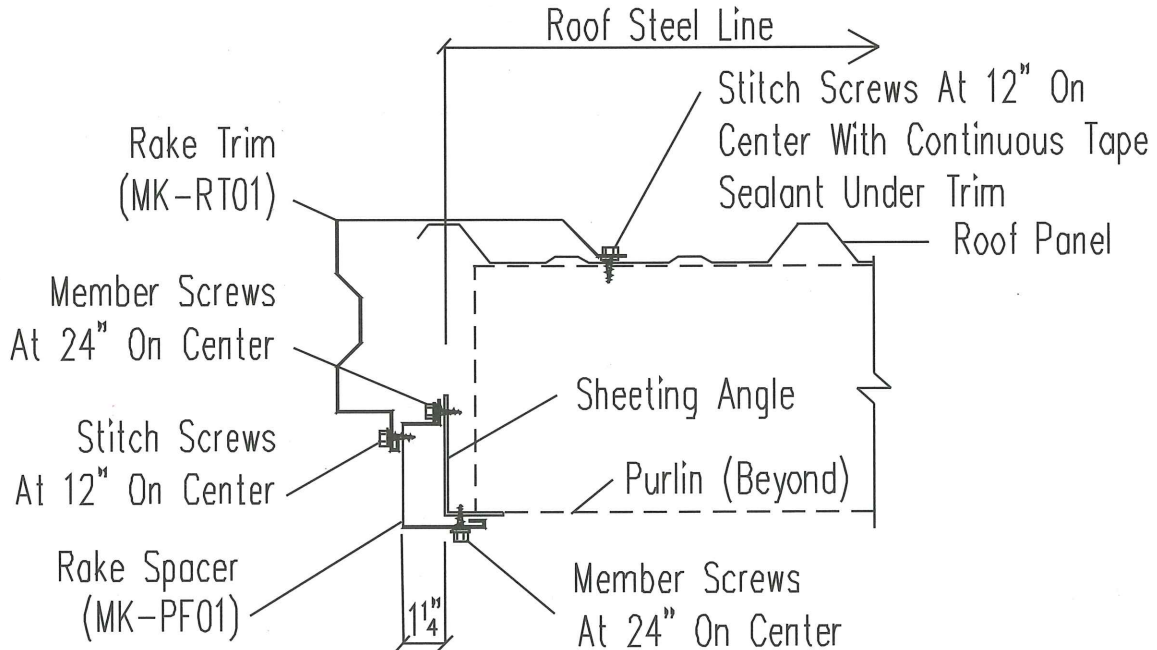
NOTE!
SCREW PATTERNS SHOWN,
SATISFY UL-90
REQUIREMENT FOR ROOF.

SECTION THRU PEAK PURLIN AND PANEL END LAPS

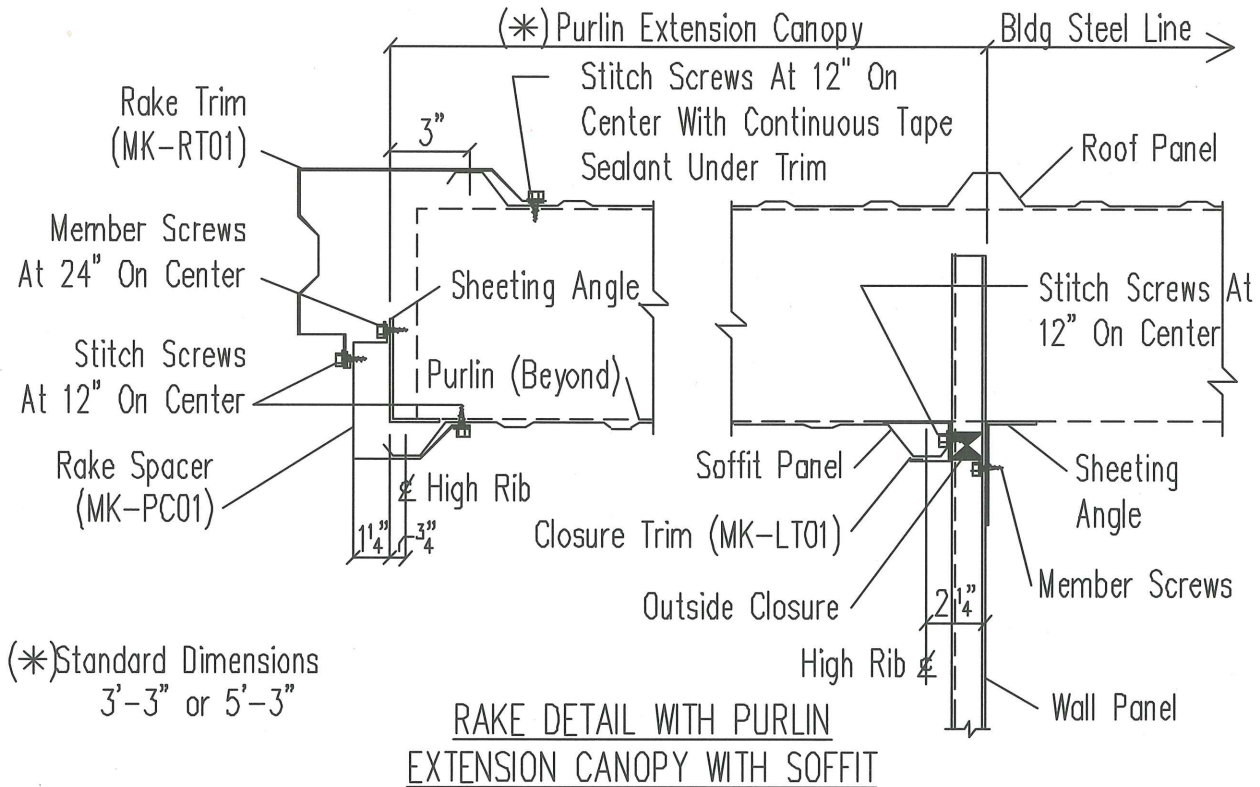
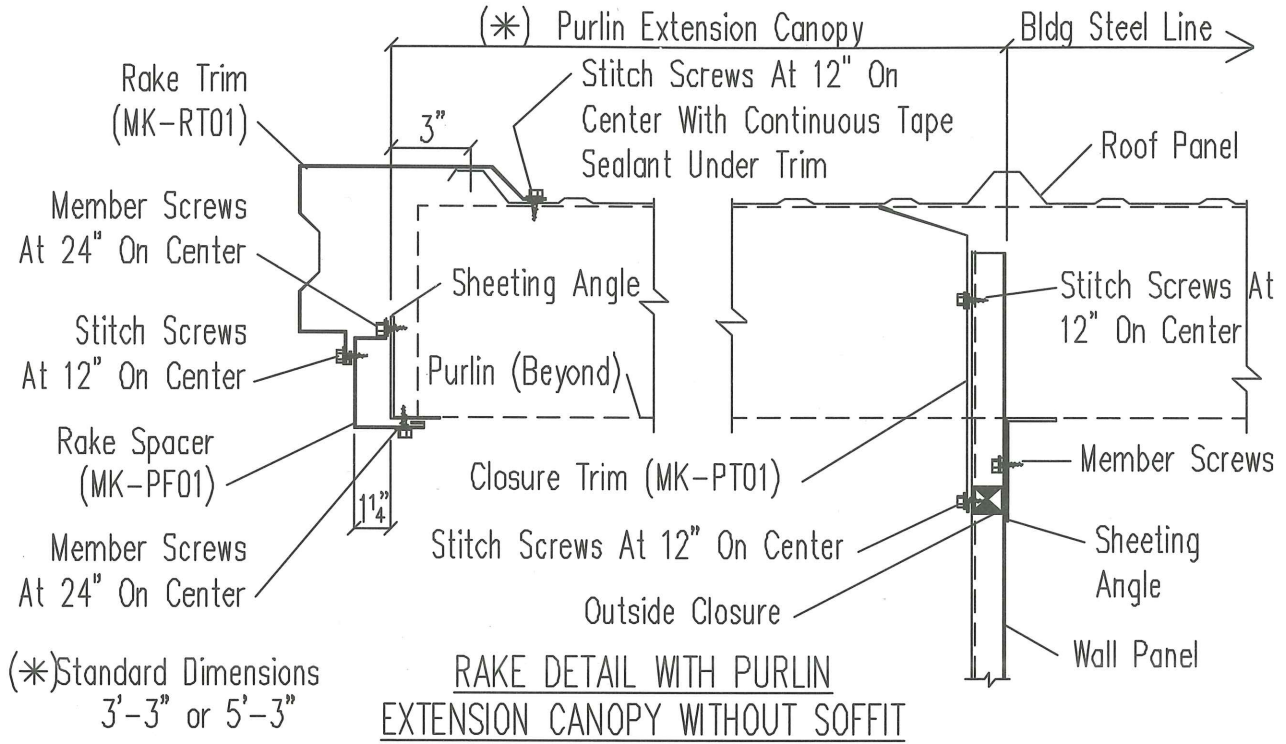
"PBR" AND "R" PANEL ROOF



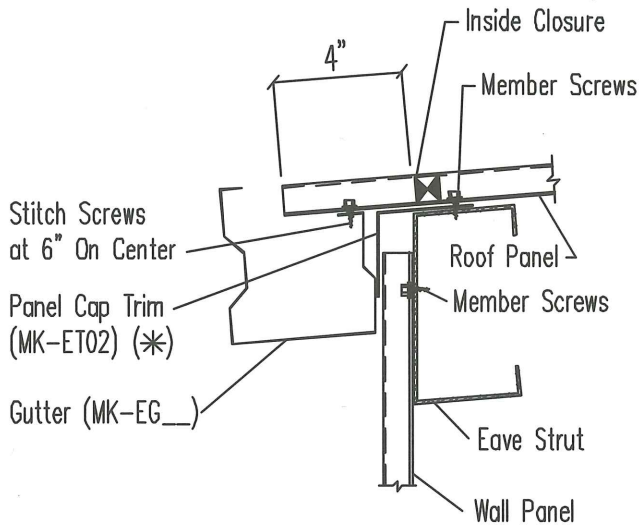
RAKE DETAIL WITH
SHEETED ENDWALL



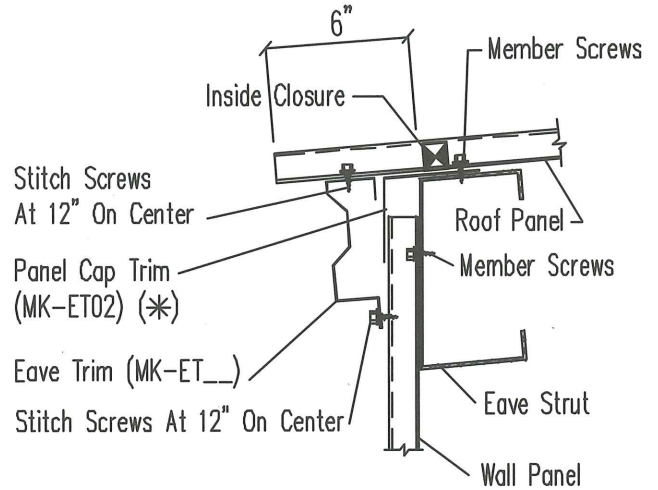
RAKE DETAIL WITH
OPEN ENDWALL



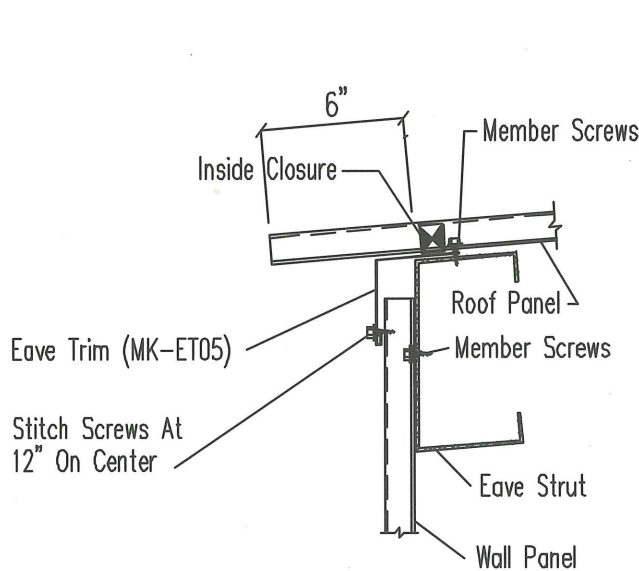
* Attach To Eave Strut With Pop Rivets At 3'-0" On Center.



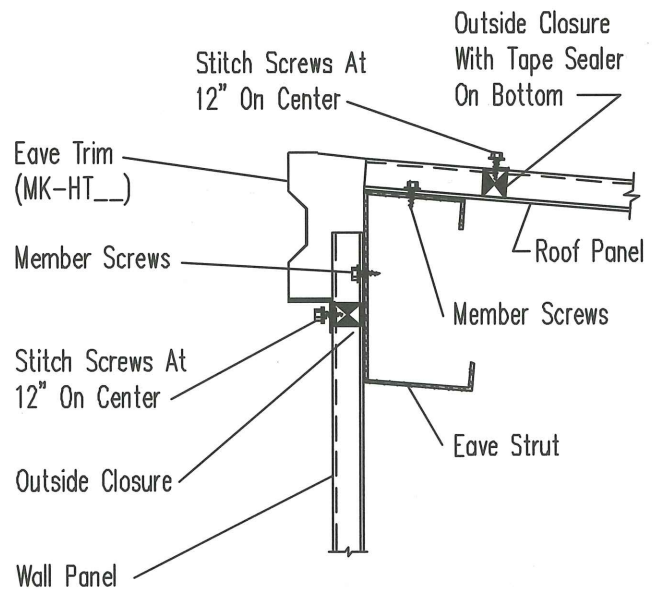
LOW EAVE DETAIL WITH EAVE GUTTER (SHEETED SIDEWALL)



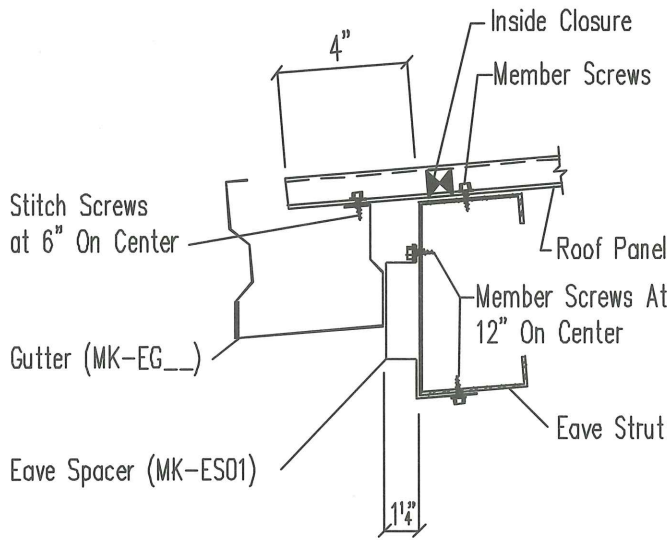
LOW EAVE DETAIL WITH SCULPTURED EAVE TRIM (SHEETED SIDEWALL)



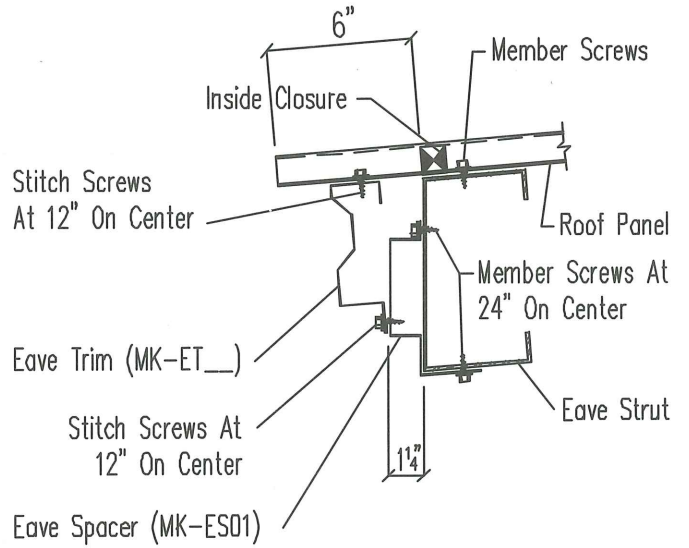
LOW EAVE DETAIL WITH SIMPLE EAVE TRIM (SHEETED SIDEWALL)



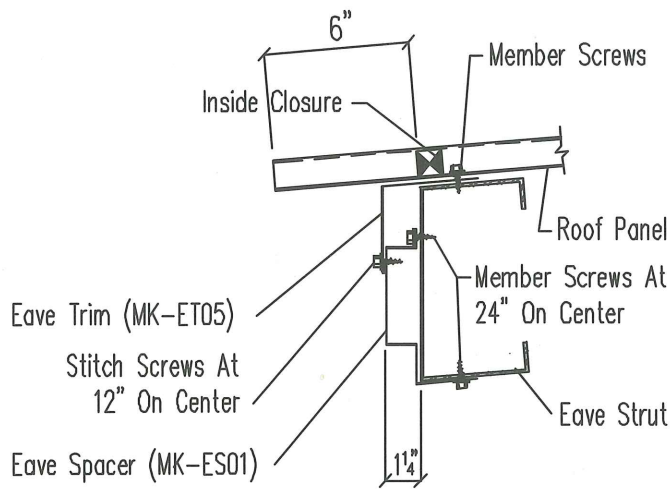
HIGH EAVE DETAIL WITH SCULPTURED EAVE TRIM (SHEETED SIDEWALL)



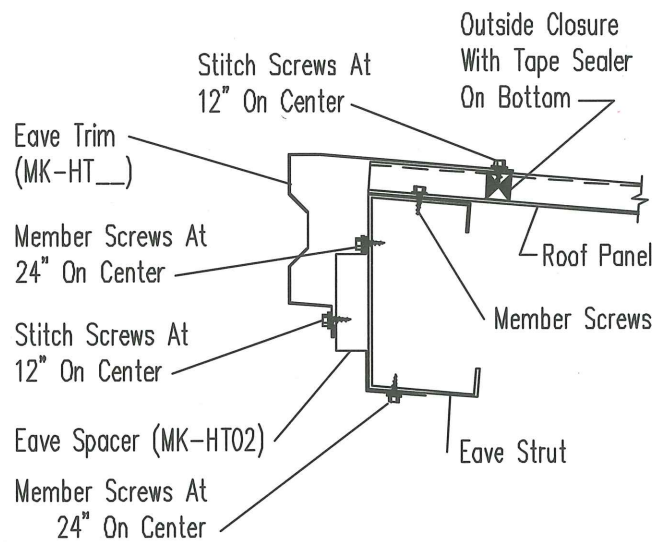
LOW EAVE DETAIL WITH
EAVE GUTTER
(OPEN SIDEWALL)



LOW EAVE DETAIL WITH
SCULPTURED EAVE TRIM
(OPEN SIDEWALL)



LOW EAVE DETAIL WITH
SIMPLE EAVE TRIM
(OPEN SIDEWALL)



HIGH EAVE DETAIL WITH
SCULPTURED EAVE TRIM
(OPEN SIDEWALL)

