

REVISIONS			
REV	DESCRIPTION	DATE	APPROVED

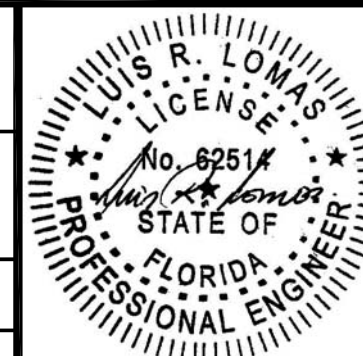
NOTES:

1. THE PRODUCT SHOWN HEREIN IS DESIGNED AND MANUFACTURED TO COMPLY WITH REQUIREMENTS OF THE FLORIDA BUILDING CODE INCLUDING THE HVHZ.
2. WOOD FRAMING AND MASONRY OPENING TO BE DESIGNED AND ANCHORED TO PROPERLY TRANSFER ALL LOADS TO STRUCTURE. FRAMING AND MASONRY OPENING IS THE RESPONSIBILITY OF THE ARCHITECT OR ENGINEER OF RECORD.
3. SHIM AS REQUIRED AT EACH ANCHOR LOCATION WITH LOAD BEARING SHIM. SHIM WHERE SPACE OF 1/16" OR GREATER OCCURS. MAXIMUM ALLOWABLE SHIM STACK TO BE 1/2".
4. SHIMS SHALL BE LOCATED, APPLIED AND MADE FROM MATERIALS AND THICKNESS CAPABLE OF SUSTAINING APPLICABLE LOADS.
5. WIND LOAD DURATION FACTOR Cd=1.6 WAS USED FOR WOOD ANCHOR CALCULATIONS.
6. FRAME MATERIAL: EXTRUDED ALUMINUM 6063-T6.
7. UNITS MUST BE GLAZED PER ASTM E1300-04/09, SEE SHEET 9 FOR GLASS DETAILS.
8. APPROVED IMPACT PROTECTIVE SYSTEM IS NOT REQUIRED FOR THIS PRODUCT IN WIND BORNE DEBRIS REGIONS.
9. FOR ANCHORING INTO WOOD FRAMING OR 2X BUCK USE 1/2" LAG SCREWS WITH SUFFICIENT LENGTH TO ACHIEVE A 2" MINIMUM EMBEDMENT INTO SUBSTRATE. LOCATE ANCHORS AS SHOWN IN ELEVATIONS AND INSTALLATION DETAILS.
10. FOR ANCHORING INTO GROUT FILLED MASONRY OR CONCRETE USE 1/2" WEDGE BOLTS WITH SUFFICIENT LENGTH TO ACHIEVE A 3 1/2" MINIMUM EMBEDMENT INTO SUBSTRATE WITH 6" MINIMUM EDGE DISTANCE. LOCATE ANCHORS AS SHOWN IN ELEVATIONS AND INSTALLATION DETAILS.
11. FOR ANCHORING INTO METAL STRUCTURE USE 1/2-13 SMS WITH LOCKWASHER AND NUT. LOCATE ANCHORS AS SHOWN IN ELEVATIONS AND INSTALLATION DETAILS.
12. ALL FASTENERS TO BE CORROSION RESISTANT.
13. INSTALLATION ANCHORS SHALL BE INSTALLED IN ACCORDANCE WITH ANCHOR MANUFACTURER'S INSTALLATION INSTRUCTIONS AND ANCHORS SHALL NOT BE USED IN SUBSTRATES WITH STRENGTHS LESS THAN THE MINIMUM STRENGTH SPECIFIED BELOW:
  - A. WOOD: MINIMUM SPECIFIC GRAVITY OF G=0.42
  - B. CONCRETE: MINIMUM COMPRESSIVE STRENGTH OF 2,000 PSI.
  - C. MASONRY: GROUT FILLED BLOCK PER ASTM C90 WITH Fm=2,000PSI MINIMUM.
  - D. METAL STRUCTURE: STEEL 1/4" THICK MINIMUM FY=33KSI/FU=52KSI

SIGNED: 12/15/2016

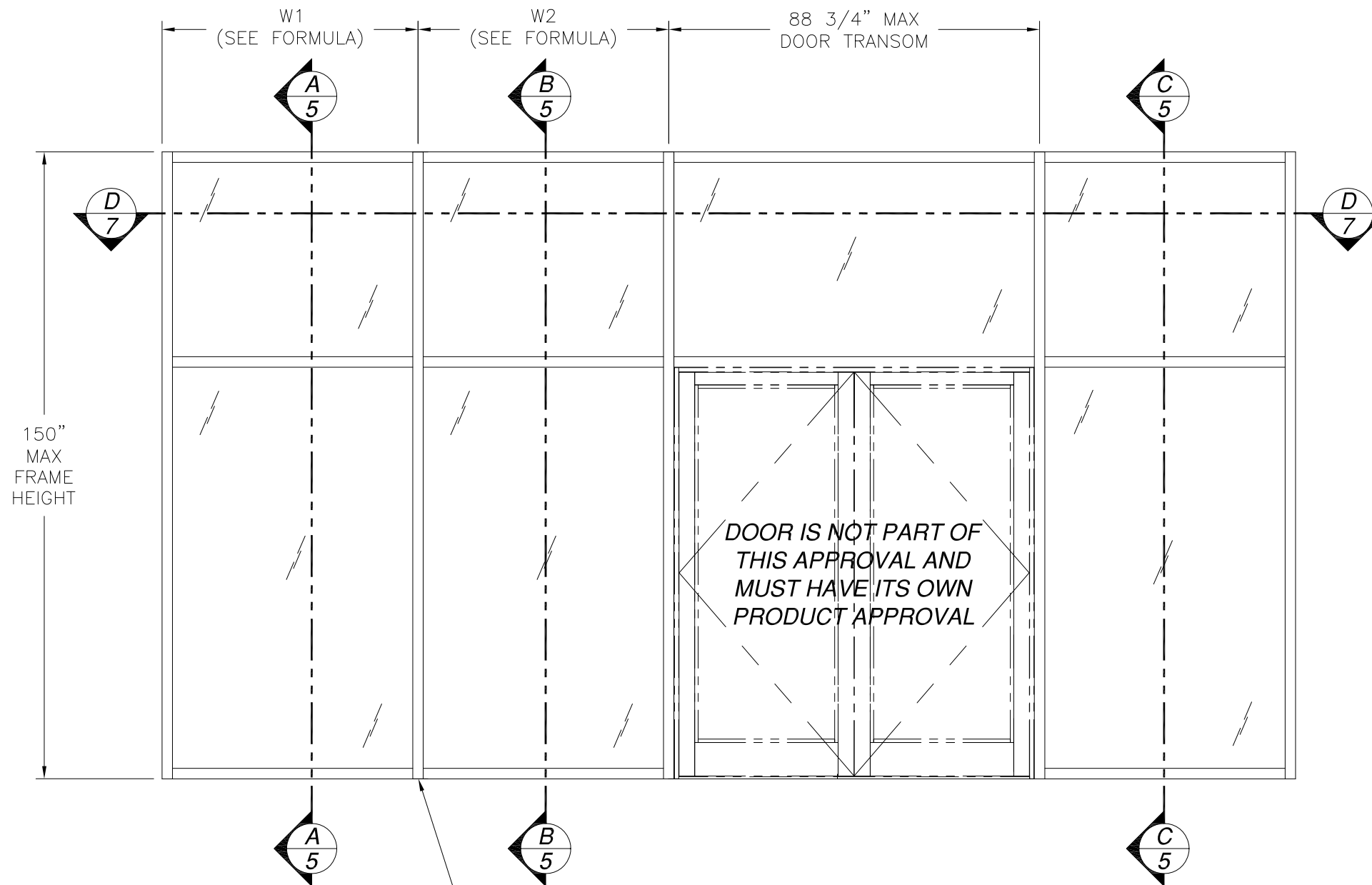
TABLE OF CONTENTS	
SHEET NO.	DESCRIPTION
1	NOTES
2 - 4	ELEVATIONS AND RATING CHARTS
5 - 8	CROSS SECTIONS
9 - 10	GLAZING DETAILS
11 - 21	INSTALLATION DETAILS
22 - 24	COMPONENTS

<b>US ALUMINUM</b> DIVISION OF C.R. LAURENCE CO., INC. 720 CEL-RIVER RD., ROCK HILL, SC 29730		
STORM WALL XL SSG HURRICANE RESISTANT CURTAIN WALL - WET GLAZED - LMI HVHZ NOTES		
DRAWN: R.L.	DWG NO. 08-03023	REV -
SCALE NTS	DATE 12/07/16	SHEET 1 OF 24
L. ROBERTO LOMAS P.E. 1432 WOODFORD RD LEWISVILLE, NC 27023 434-688-0609 rllomas@rlomaspe.com		



Luis R. Lomas P.E.  
FL No.: 62514

REVISIONS			
REV	DESCRIPTION	DATE	APPROVED



- PROCEDURE TO DETERMINE RATING:**
1. DETERMINE TRIBUTARY WIDTH PER FORMULA BELOW
  2. SELECT JAMB AND MULLION PROFILES TO BE USED FROM SHEET 7.
  3. REFER TO CHARTS IN SHEET 4 TO DETERMINE RATINGS FOR JAMB AND MULLION SELECTED IN STEP 2.
  4. DETERMINE THE TYPE OF ANCHOR CLIP AND SUBSTRATE WHERE PRODUCT IS TO BE INSTALLED. SEE SHEETS 10 - 17
  5. REFER TO CHARTS IN SHEET 19 AND 20 TO DETERMINE RATING OF ANCHORING SELECTED IN STEP 4.
  6. SELECT GLASS TO BE USED, REFER TO SHEETS 9 AND 10
  7. REFER TO CHART #5 IN SHEET 9 TO DETERMINE RATING OF GLASS SELECTED IN STEP 6.
  8. THE MINIMUM OF ALL RATINGS WILL DETERMINE THE RATING OF THE TOTAL PRODUCT.

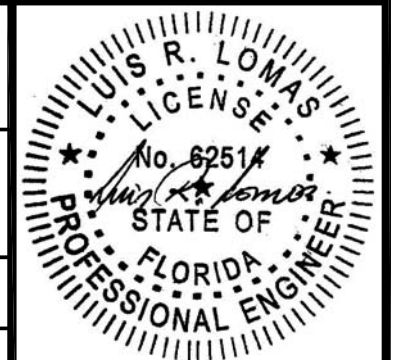
$$\text{TRIBUTARY WIDTH} = \frac{W1 + W2}{2}$$

FOR ANCHORING  
SEE DETAILS  
IN SHEETS 11-18  
TYP

**STORM WALL XL HURRICANE RESISTANT CURTAIN WALL**  
**SINGLE SPAN**  
 EXTERIOR VIEW  
 UNLIMITED NUMBER OF PANELS IS ALLOWED AS LONG AS INDIVIDUAL PANELS  
 AREA DO NOT EXCEED 52.25 FT<sup>2</sup>  
 AND USE VERTICAL CONDITIONS AS SHOWN

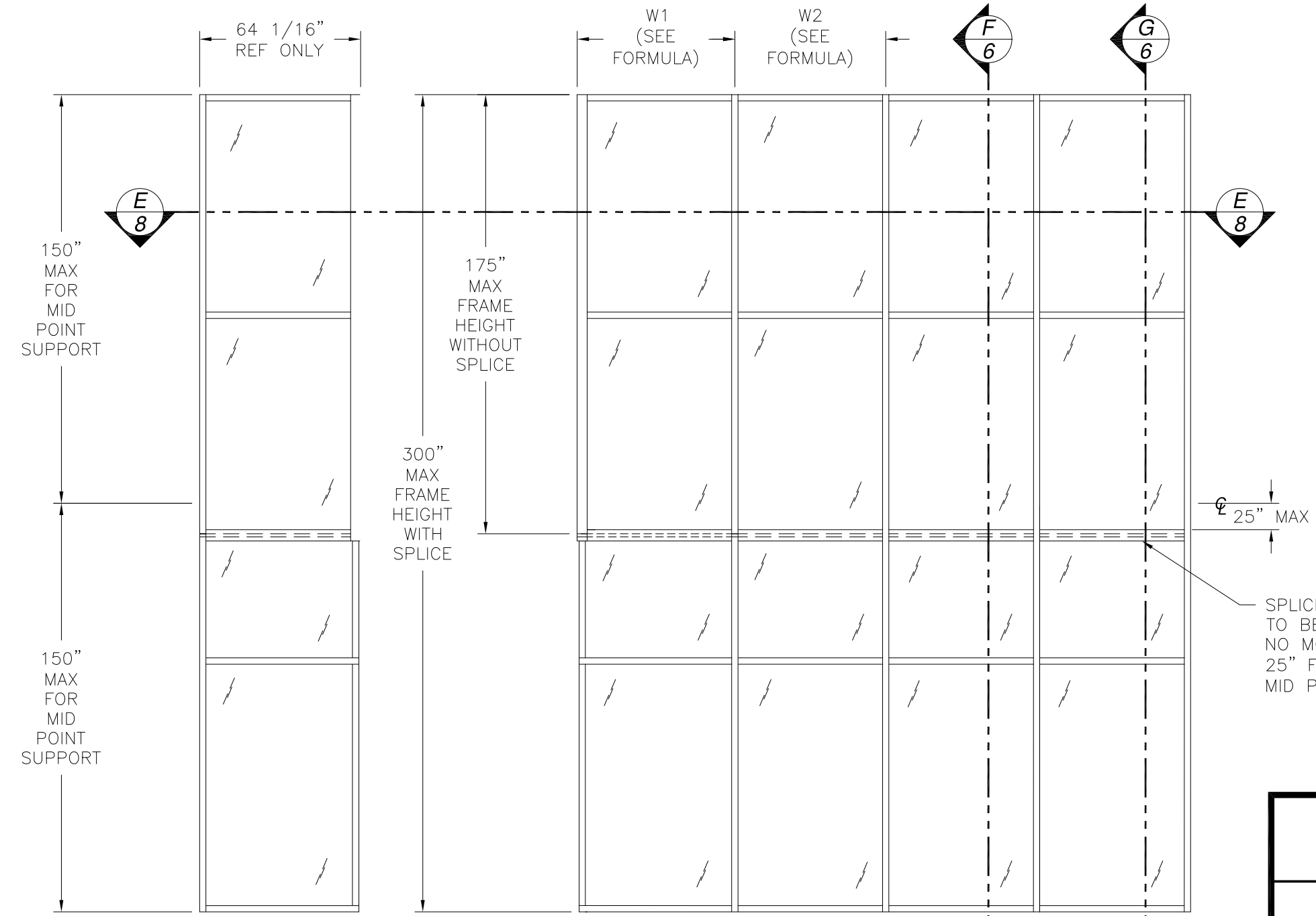
SIGNED: 12/15/2016

<b>US ALUMINUM</b> DIVISION OF C.R. LAURENCE CO., INC. 720 CEL-RIVER RD., ROCK HILL, SC 29730		
STORM WALL XL SSG HURRICANE RESISTANT CURTAIN WALL - WET GLAZED - LMI HVHZ SINGLE SPAN ELEVATION		
DRAWN: R.L.	DWG NO. 08-03023	REV -
SCALE NTS	DATE 12/07/16	SHEET 2 OF 24
L. ROBERTO LOMAS P.E. 1432 WOODFORD RD LEWISVILLE, NC 27023 434-688-0609 rllomas@rlomaspe.com		



Luis R. Lomas P.E.  
FL No.: 62514

REVISIONS			
REV	DESCRIPTION	DATE	APPROVED



- PROCEDURE TO DETERMINE RATING:**
1. DETERMINE TRIBUTARY WIDTH PER FORMULA BELOW
  2. SELECT JAMB AND MULLION PROFILES TO BE USED FROM SHEET 7.
  3. REFER TO CHARTS IN SHEET 4 TO DETERMINE RATINGS FOR JAMB AND MULLION SELECTED IN STEP 2.
  4. DETERMINE THE TYPE OF ANCHOR CLIP AND SUBSTRATE WHERE PRODUCT IS TO BE INSTALLED. SEE SHEETS 10 - 17
  5. REFER TO CHARTS IN SHEET 19 AND 20 TO DETERMINE RATING OF ANCHORING SELECTED IN STEP 4.
  6. SELECT GLASS TO BE USED, REFER TO SHEETS 9 AND 10
  7. REFER TO CHART #5 IN SHEET 9 TO DETERMINE RATING OF GLASS SELECTED IN STEP 6.
  8. THE MINIMUM OF ALL RATINGS WILL DETERMINE THE RATING OF THE TOTAL PRODUCT.

$$\text{TRIBUTARY WIDTH} = \frac{W1 + W2}{2}$$

25" MAX  
 SPLICE TO BE LOCATED NO MORE THAN 25" FROM MID POINT

**STORM WALL XL TWIN SPAN**  
 EXTERIOR VIEW  
 UNLIMITED NUMBER OF PANELS IS ALLOWED AS LONG AS INDIVIDUAL PANELS  
 AREA DO NOT EXCEED 52.25 FT<sup>2</sup>  
 AND USE VERTICAL CONDITIONS AS SHOWN

SIGNED: 12/15/2016

**US ALUMINUM**  
 DIVISION OF C.R. LAURENCE CO., INC.  
 720 CEL-RIVER RD., ROCK HILL, SC 29730

STORM WALL XL SSG HURRICANE RESISTANT  
 CURTAIN WALL - WET GLAZED - LMI HVHZ  
 TWIN SPAN ELEVATION

DRAWN: R.L.	DWG NO. 08-03023	REV -
SCALE NTS	DATE 12/07/16	SHEET 3 OF 24

L. ROBERTO LOMAS P.E.  
 1432 WOODFORD RD LEWISVILLE, NC 27023  
 434-688-0609 rllomas@rlomaspe.com

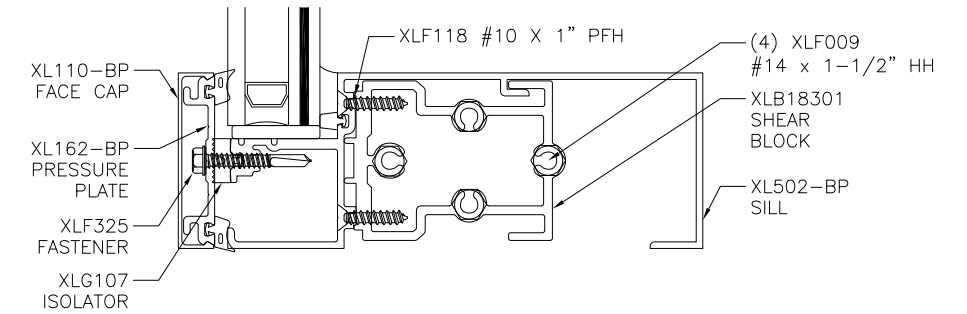
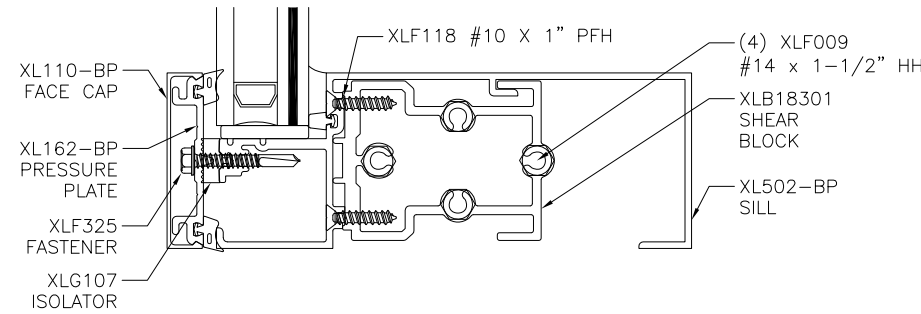
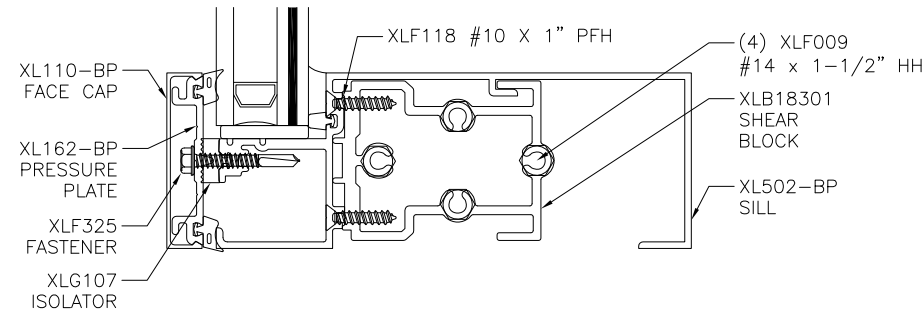
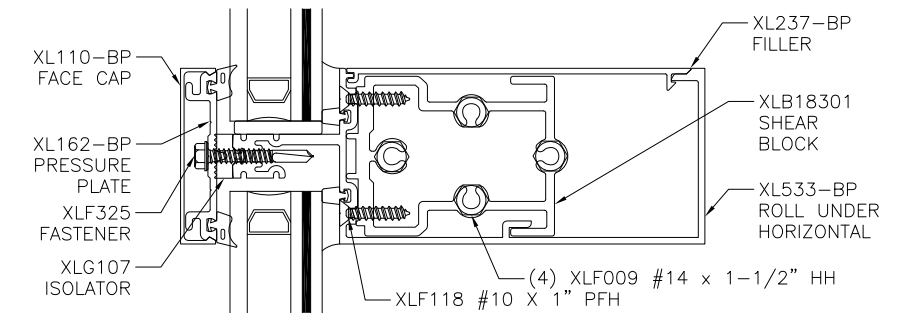
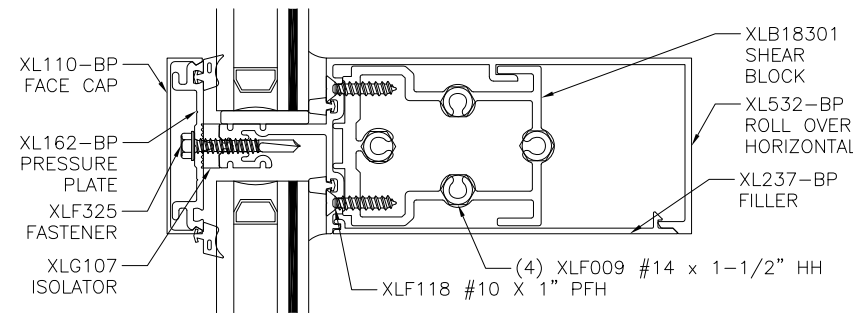
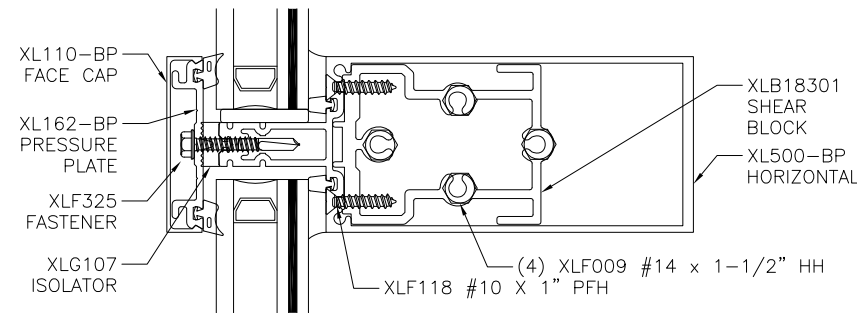
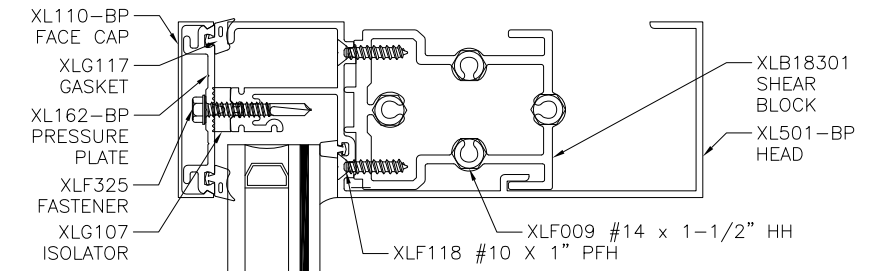
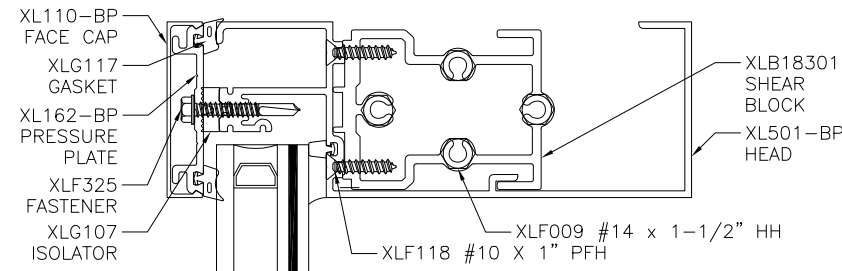
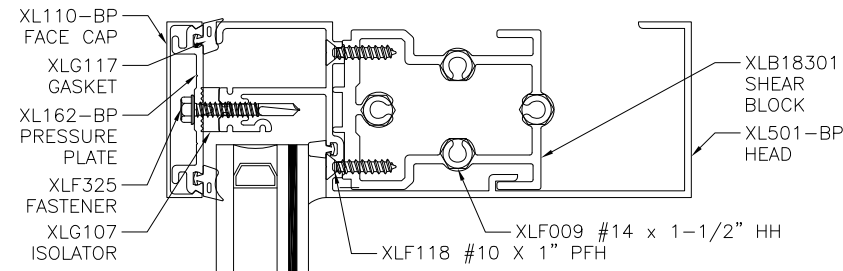


Luis R. Lomas P.E.  
 FL No.: 62514



**FOR ILLUSTRATION PURPOSES ONLY**  
**FOR INSTALLATION DETAILS SEE SHEETS 10 - 17**

REVISIONS			
REV	DESCRIPTION	DATE	APPROVED



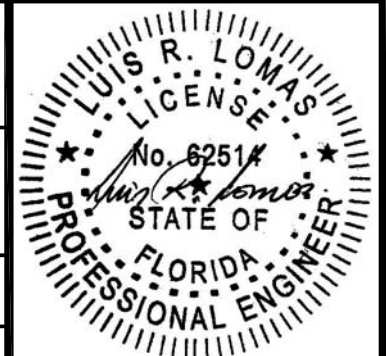
**A**  
5 **VERTICAL CROSS SECTION**

**B**  
5 **VERTICAL CROSS SECTION**

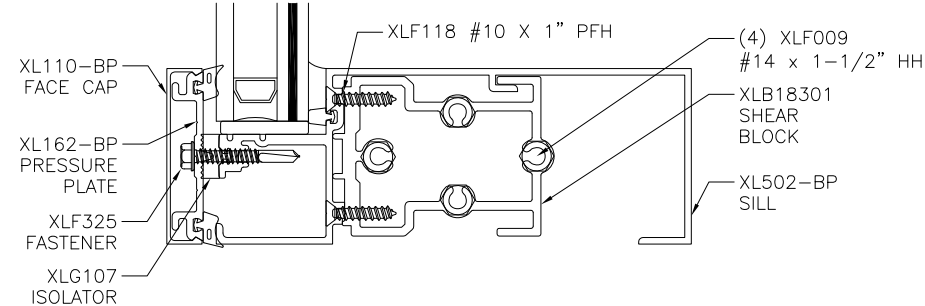
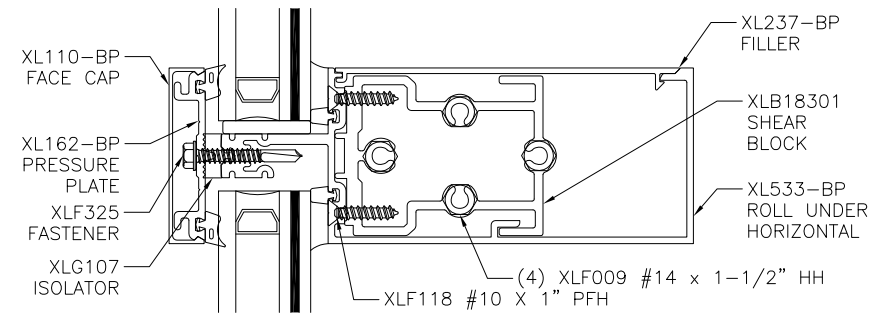
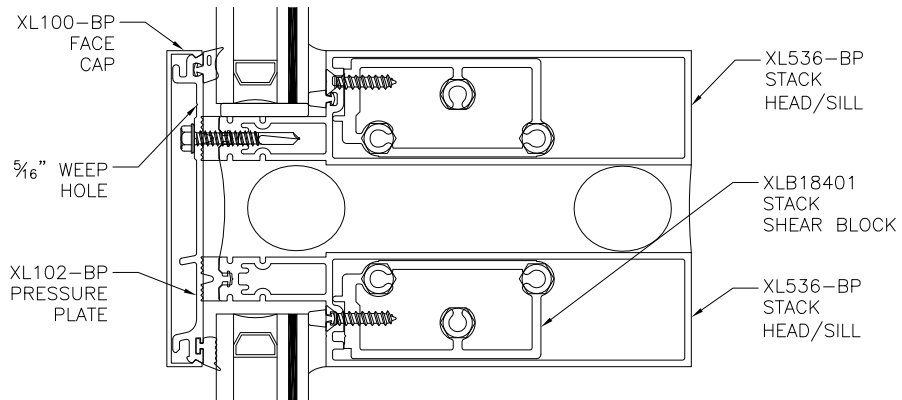
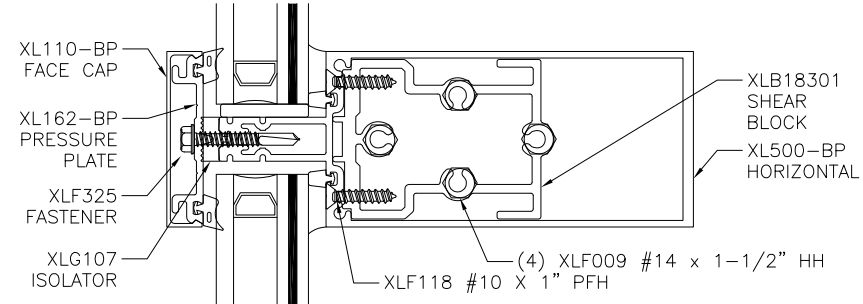
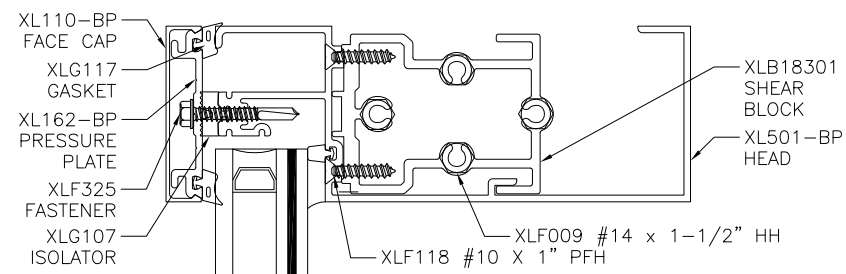
**C**  
5 **VERTICAL CROSS SECTION**

SIGNED: 12/15/2016

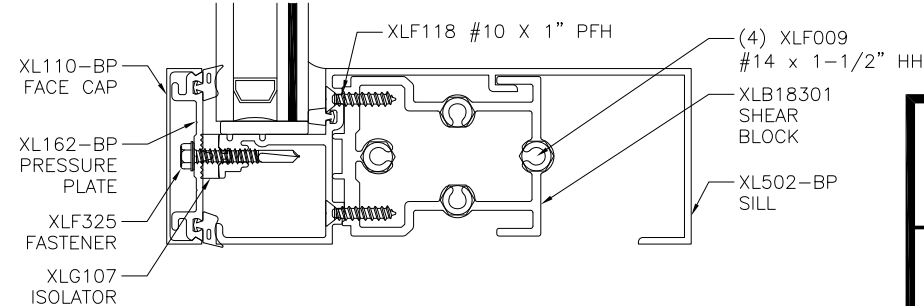
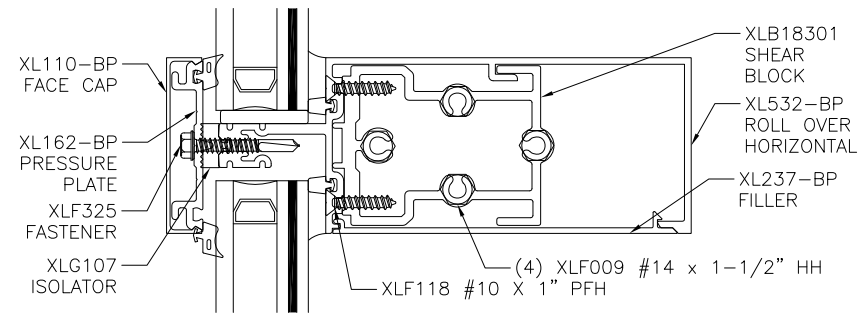
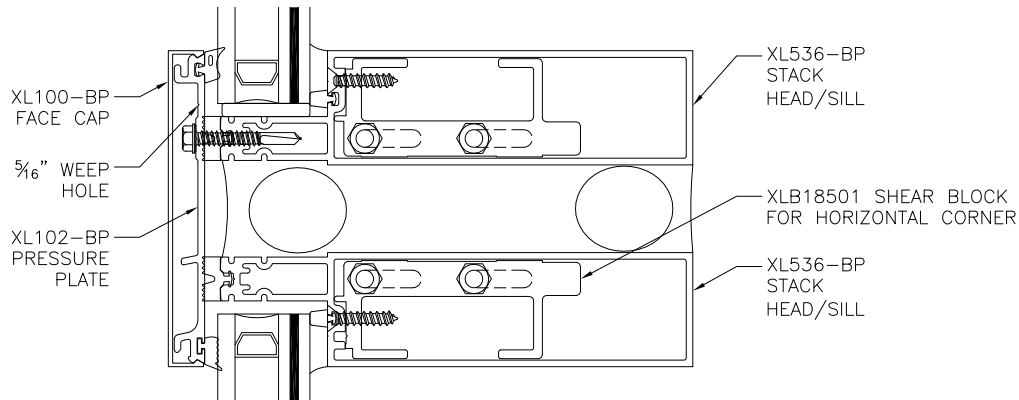
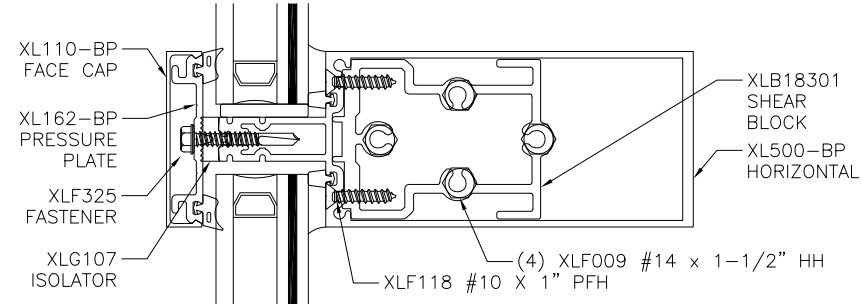
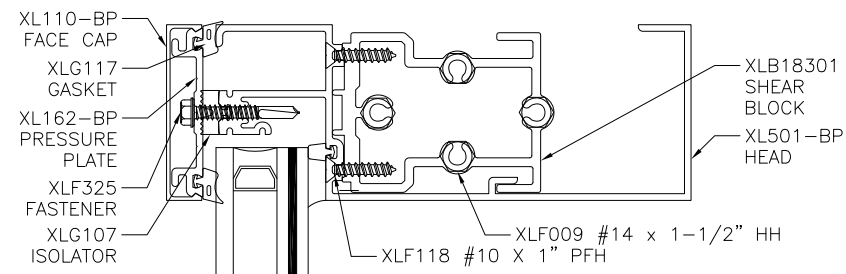
<b>US ALUMINUM</b> DIVISION OF C.R. LAURENCE CO., INC. 720 CEL-RIVER RD., ROCK HILL, SC 29730		
STORM WALL XL SSG HURRICANE RESISTANT CURTAIN WALL - WET GLAZED - LMI HVHZ VERTICAL CROSS SECTIONS		
DRAWN: R.L.	DWG NO. 08-03023	REV -
SCALE NTS	DATE 12/07/16	SHEET 5 OF 24
L. ROBERTO LOMAS P.E. 1432 WOODFORD RD LEWISVILLE, NC 27023 434-688-0609 rllomas@rlomaspe.com		



Luis R. Lomas P.E.  
FL No.: 62514



**F**  
6 VERTICAL CROSS SECTION



**G**  
6 VERTICAL CROSS SECTION

REVISIONS			
REV	DESCRIPTION	DATE	APPROVED

**FOR ILLUSTRATION PURPOSES ONLY  
FOR INSTALLATION DETAILS SEE SHEETS 10 - 17**

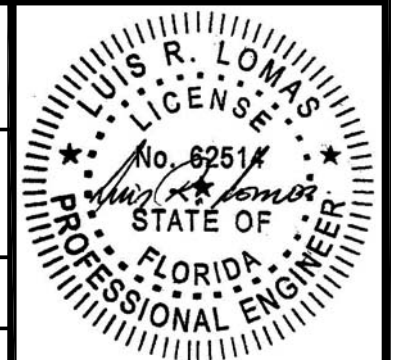
**US ALUMINUM**  
DIVISION OF C.R. LAURENCE CO., INC.  
720 CEL-RIVER RD., ROCK HILL, SC 29730

STORM WALL XL SSG HURRICANE RESISTANT  
CURTAIN WALL - WET GLAZED - LMI HVHZ  
VERTICAL CROSS SECTIONS

DRAWN: R.L.	DWG NO. 08-03023	REV -
SCALE NTS	DATE 12/07/16	SHEET 6 OF 24

L. ROBERTO LOMAS P.E.  
1432 WOODFORD RD LEWISVILLE, NC 27023  
434-688-0609 rllomas@rlomaspe.com

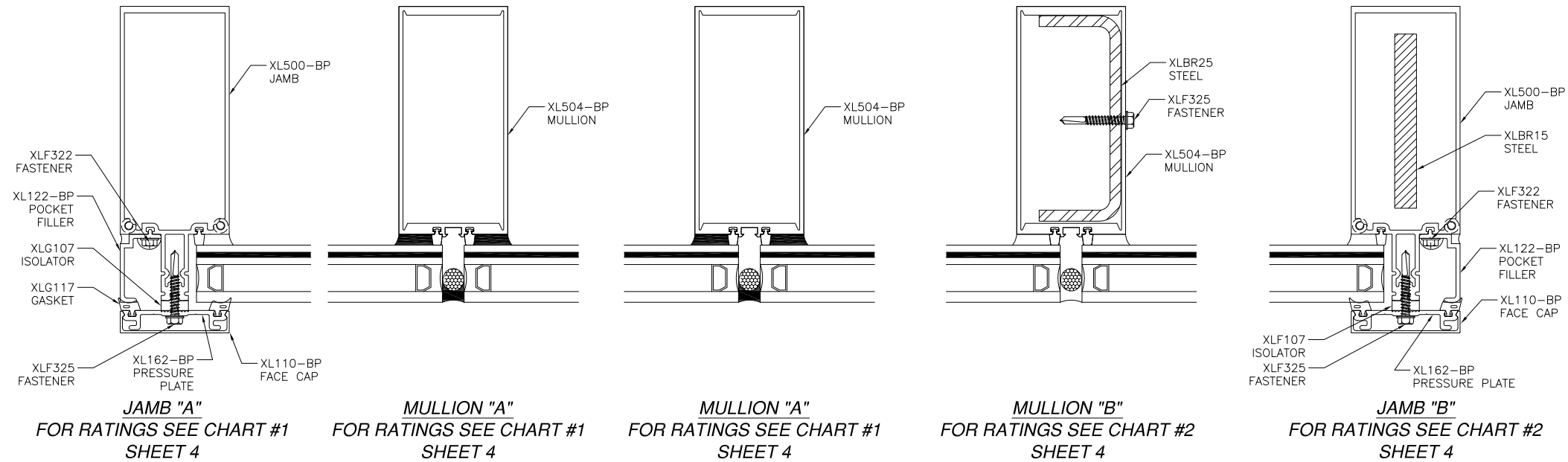
SIGNED: 12/15/2016



Luis R. Lomas P.E.  
FL No.: 62514

**FOR ILLUSTRATION PURPOSES ONLY**  
**FOR INSTALLATION DETAILS SEE SHEETS 10 - 17**

REVISIONS			
REV	DESCRIPTION	DATE	APPROVED



D  
7
**HORIZONTAL CROSS SECTION**

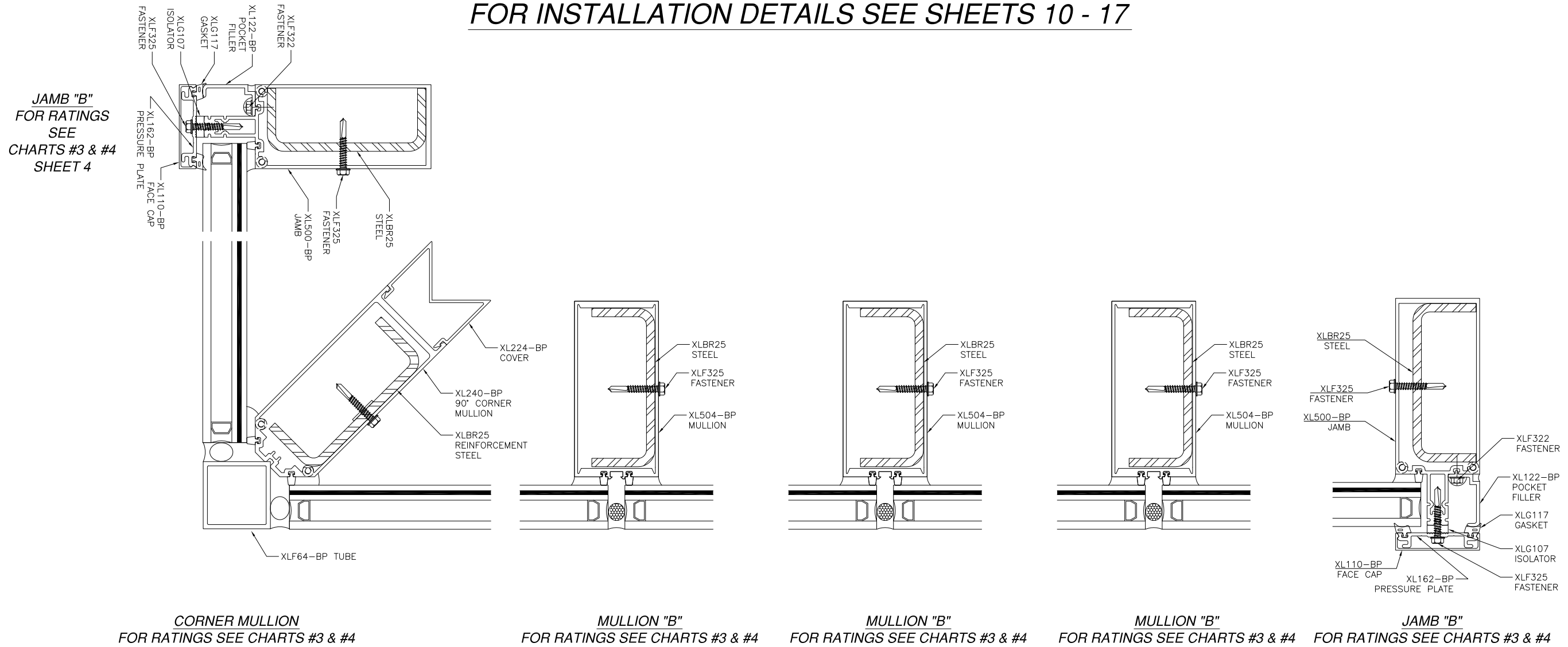
SIGNED: 12/15/2016

<b>US ALUMINUM</b> DIVISION OF C.R. LAURENCE CO., INC. 720 CEL-RIVER RD., ROCK HILL, SC 29730		
STORM WALL XL SSG HURRICANE RESISTANT CURTAIN WALL - WET GLAZED - LMI HVHZ HORIZONTAL CROSS SECTIONS		
DRAWN: R.L.	DWG NO. 08-03023	REV -
SCALE NTS	DATE 12/07/16	SHEET 7 OF 24
L. ROBERTO LOMAS P.E. 1432 WOODFORD RD LEWISVILLE, NC 27023 434-688-0609 rllomas@rlomaspe.com		

Luis R. Lomas P.E.  
FL No.: 62514

REVISIONS			
REV	DESCRIPTION	DATE	APPROVED

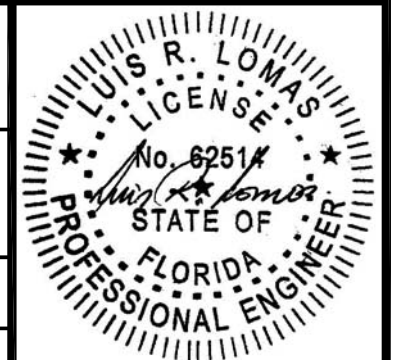
**FOR ILLUSTRATION PURPOSES ONLY**  
**FOR INSTALLATION DETAILS SEE SHEETS 10 - 17**



**E**  
8 **HORIZONTAL CROSS SECTION**

SIGNED: 12/15/2016

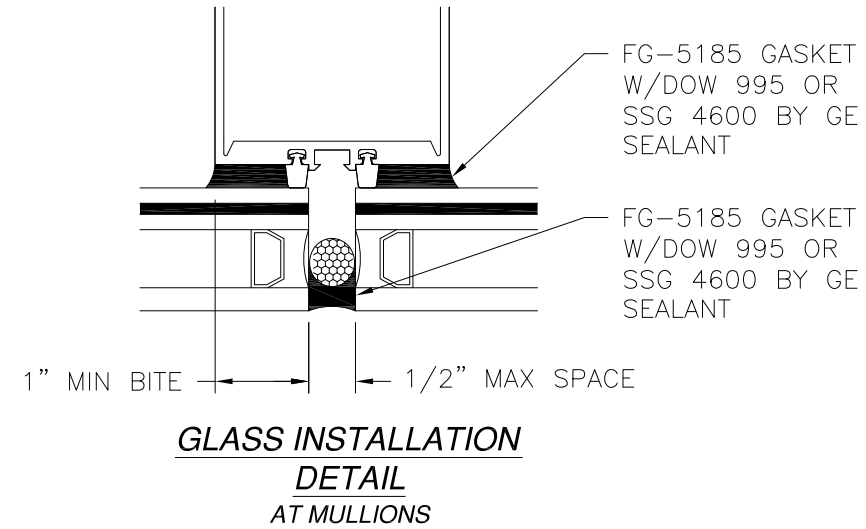
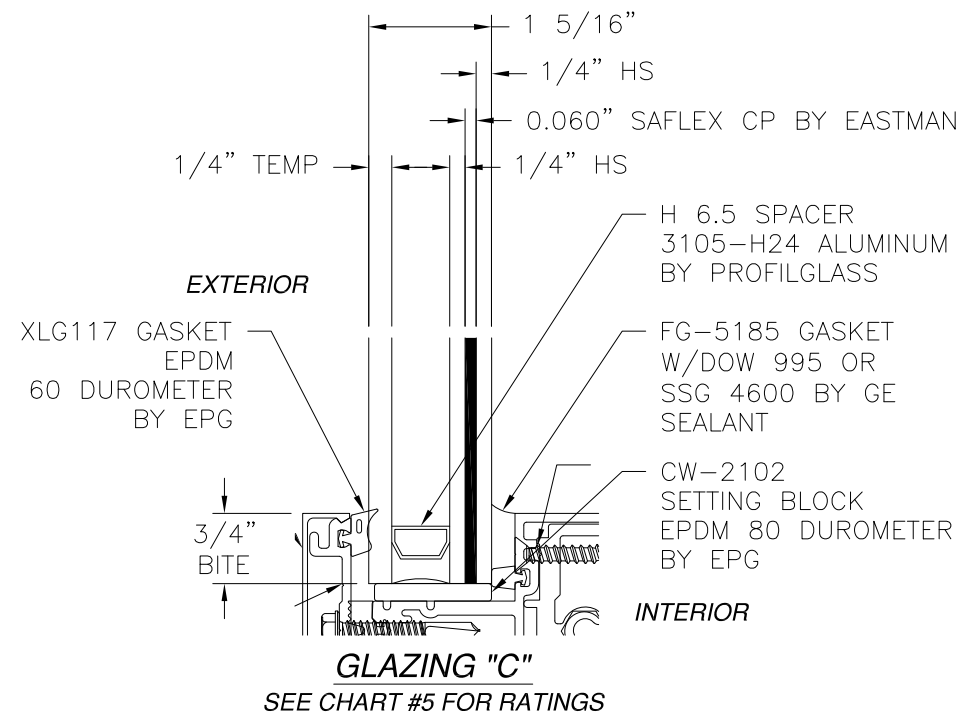
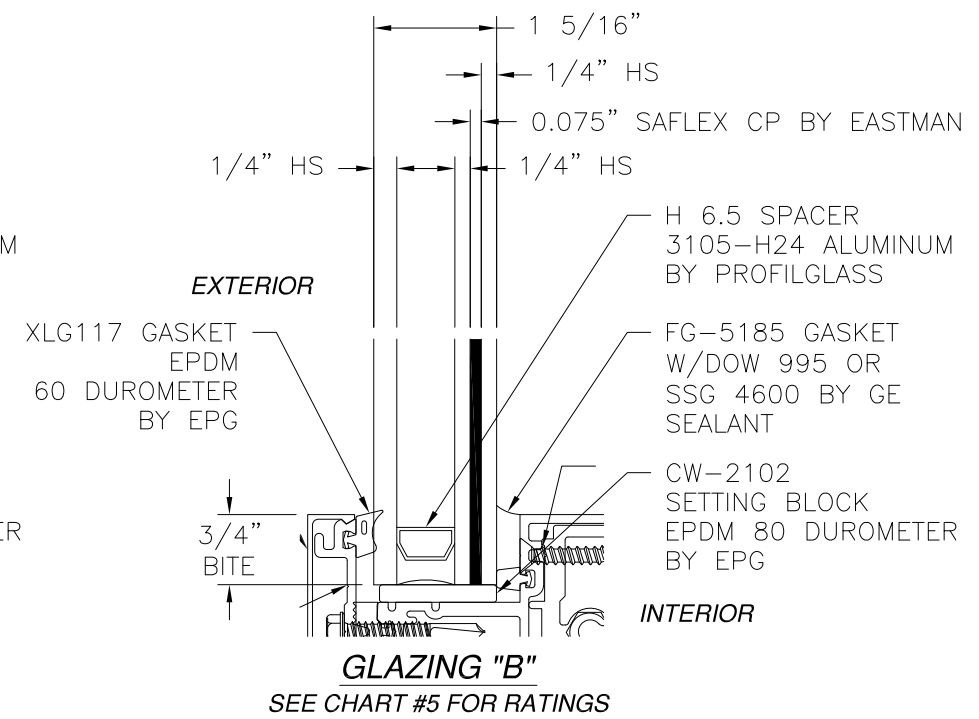
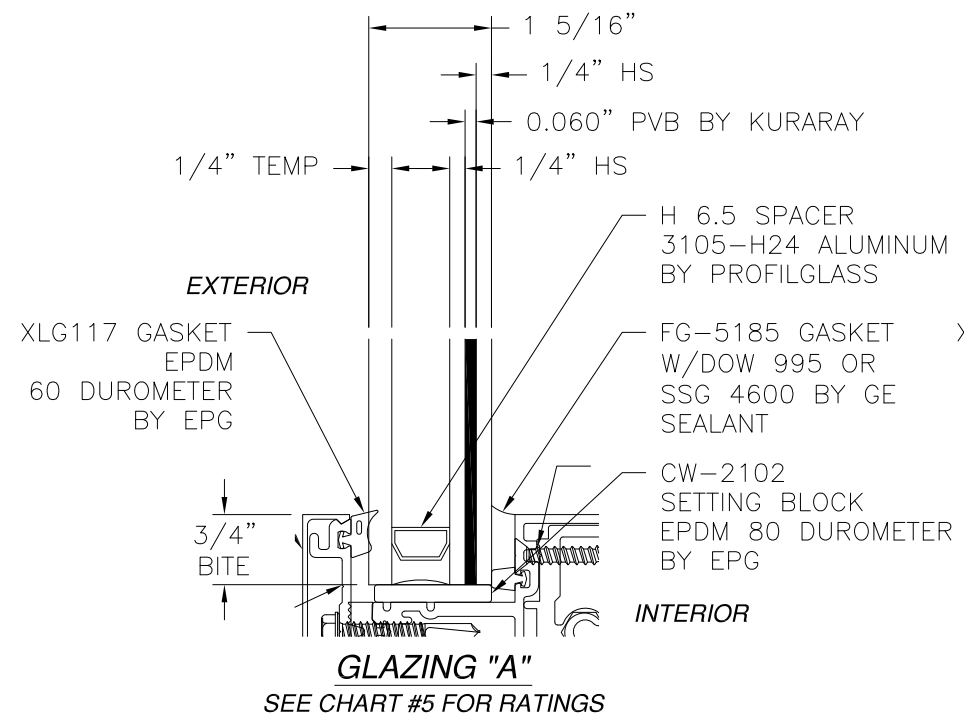
<b>US ALUMINUM</b> DIVISION OF C.R. LAURENCE CO., INC. 720 CEL-RIVER RD., ROCK HILL, SC 29730		
STORM WALL XL SSG HURRICANE RESISTANT CURTAIN WALL - WET GLAZED - LMI HVHZ HORIZONTAL CROSS SECTIONS		
DRAWN: R.L.	DWG NO. 08-03023	REV -
SCALE NTS	DATE 12/07/16	SHEET 8 OF 24
L. ROBERTO LOMAS P.E. 1432 WOODFORD RD LEWISVILLE, NC 27023 434-688-0609 rllomas@rlomaspe.com		



Luis R. Lomas P.E.  
FL No.: 62514



REVISIONS			
REV	DESCRIPTION	DATE	APPROVED



**Chart #5**  
*Design pressure per glass "A", "B" and "C" (psf)*

D.L.O. Height (in)	D.L.O. width (in)								
	21.5	27.5	33.5	39.5	45.5	51.5	57.5	63.5	69.5
36.0	90.0	90.0	90.0	90.0	90.0	90.0	90.0	90.0	90.0
42.0	90.0	90.0	90.0	90.0	90.0	90.0	90.0	90.0	90.0
48.0	90.0	90.0	90.0	90.0	90.0	90.0	90.0	90.0	90.0
54.0	90.0	90.0	90.0	90.0	90.0	90.0	90.0	90.0	90.0
60.0	90.0	90.0	90.0	90.0	90.0	90.0	90.0	90.0	82.5
66.0	90.0	90.0	90.0	90.0	90.0	90.0	90.0	82.1	75.0
72.0	90.0	90.0	90.0	90.0	90.0	90.0	83.1	75.2	68.7
78.0	90.0	90.0	90.0	90.0	90.0	85.6	76.7	69.4	63.5
84.0	90.0	90.0	90.0	90.0	90.0	79.5	71.2	64.5	58.9
90.0	90.0	90.0	90.0	90.0	84.0	74.2	66.5	60.2	55.0
96.0	90.0	90.0	90.0	90.0	78.8	69.6	62.3	56.4	51.6

NOTES:  
1. GLAZING "B" MAY NOT BE USED IN UNITS INSTALLED AT 30FT OR HIGHER ABOVE GROUND LEVEL.

SIGNED: 12/15/2016

**US ALUMINUM**  
DIVISION OF C.R. LAURENCE CO., INC.  
720 CEL-RIVER RD., ROCK HILL, SC 29730

---

STORM WALL XL SSG HURRICANE RESISTANT  
CURTAIN WALL - WET GLAZED - LMI HVHZ  
GLAZING DETAILS

---

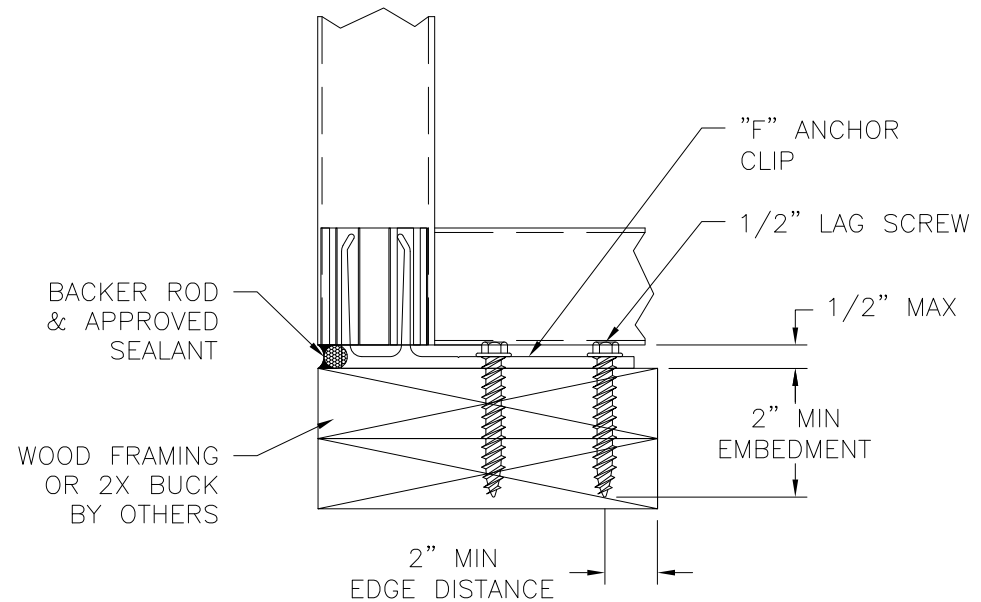
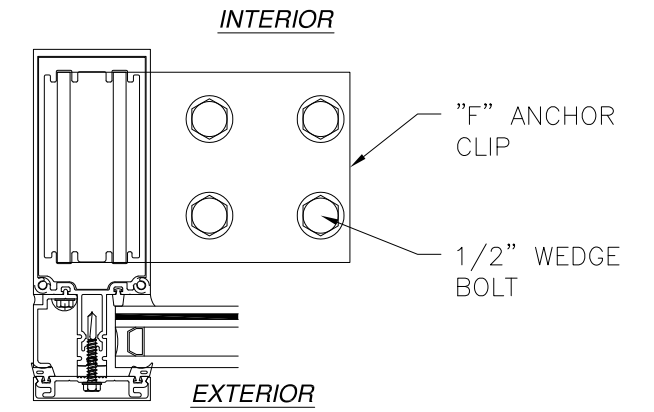
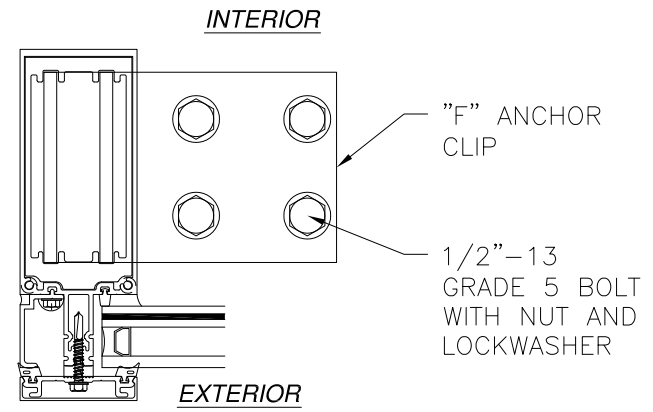
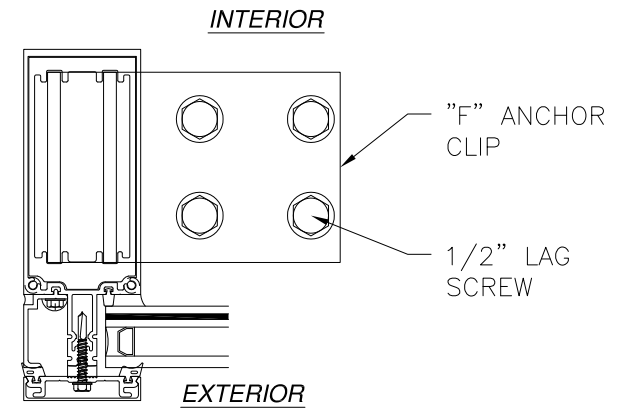
DRAWN: R.L.	DWG NO. 08-03023	REV -
SCALE NTS	DATE 12/07/16	SHEET 9 OF 24

---

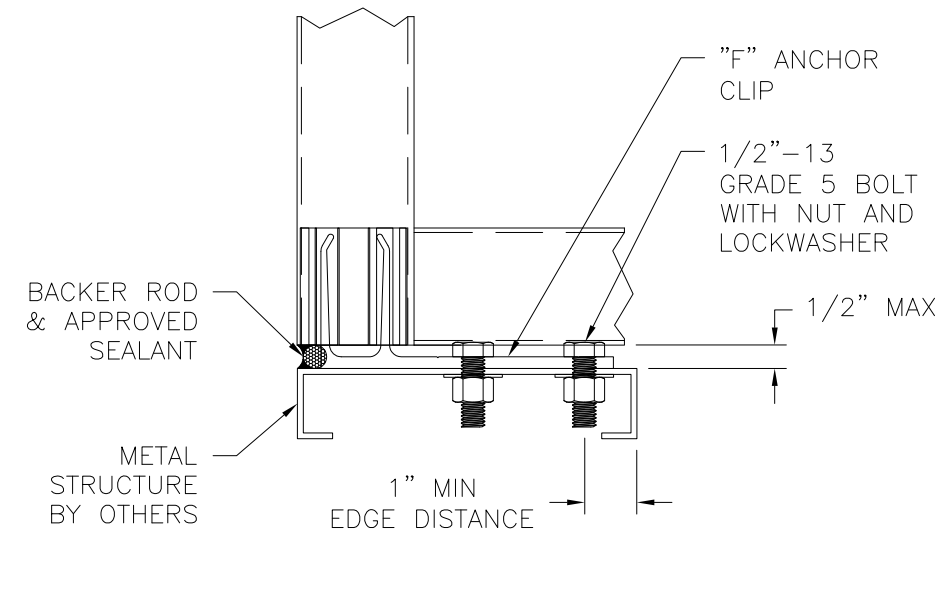
L. ROBERTO LOMAS P.E.  
1432 WOODFORD RD LEWISVILLE, NC 27023  
434-688-0609 rllomas@rlomaspe.com

Luis R. Lomas P.E.  
FL No.: 62514

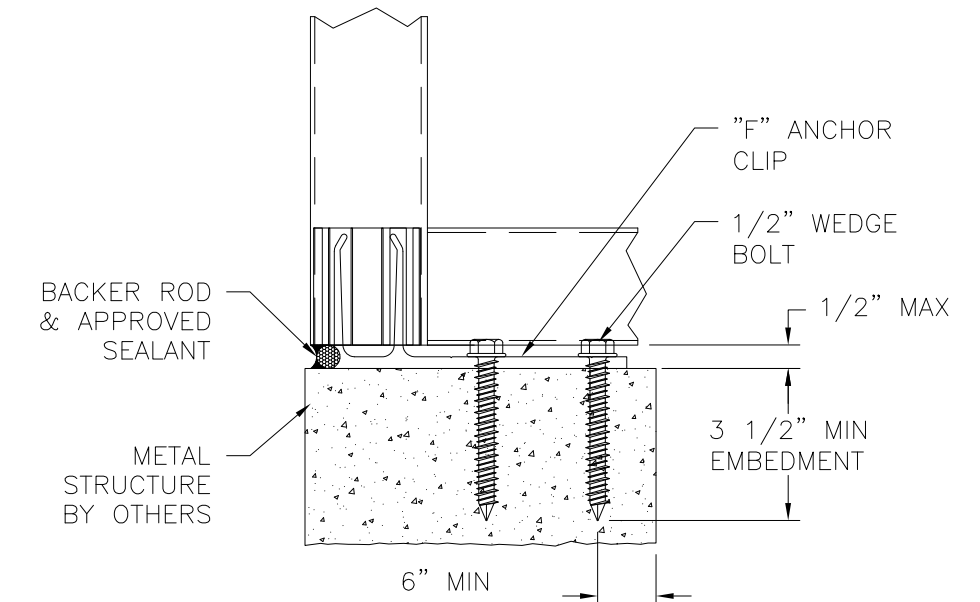
REVISIONS			
REV	DESCRIPTION	DATE	APPROVED



**JAMB INSTALLATION DETAIL**  
**WITH "F" ANCHOR CLIP**  
 WOOD FRAMING OR 2X BUCK INSTALLATION  
 SILL SHOWN, HEAD SIMILAR  
 SEE CHART #7 FOR RATINGS



**JAMB INSTALLATION DETAIL**  
**WITH "F" ANCHOR CLIP**  
 METAL STRUCTURE INSTALLATION  
 SILL SHOWN, HEAD SIMILAR  
 SEE CHART #7 FOR RATINGS



**JAMB INSTALLATION DETAIL**  
**WITH "F" ANCHOR CLIP**  
 CONCRETE INSTALLATION  
 SILL SHOWN, HEAD SIMILAR  
 SEE CHART #7 FOR RATINGS

- NOTES:
1. INTERIOR AND EXTERIOR FINISHES, BY OTHERS, NOT SHOWN FOR CLARITY.
  2. PERIMETER AND JOINT SEALANT BY OTHERS TO BE DESIGNED IN ACCORDANCE WITH ASTM E2112

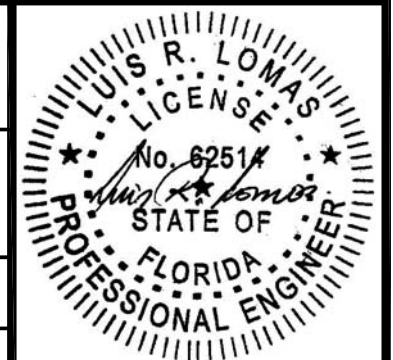
SIGNED: 12/15/2016

**US ALUMINUM**  
 DIVISION OF C.R. LAURENCE CO., INC.  
 720 CEL-RIVER RD., ROCK HILL, SC 29730

STORM WALL XL SSG HURRICANE RESISTANT  
 CURTAIN WALL - WET GLAZED - LMI HVHZ  
 INSTALLATION DETAILS

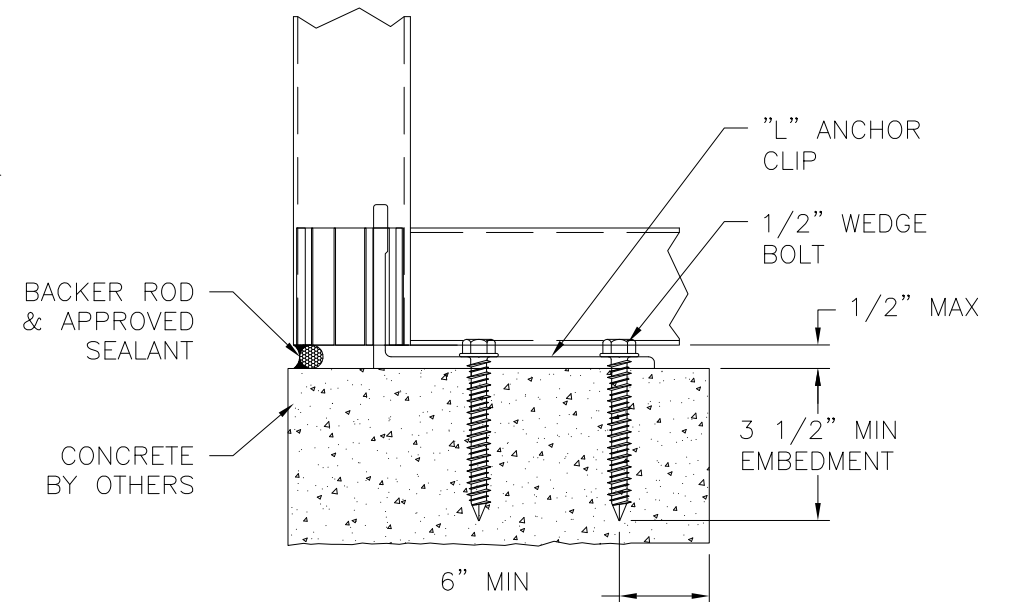
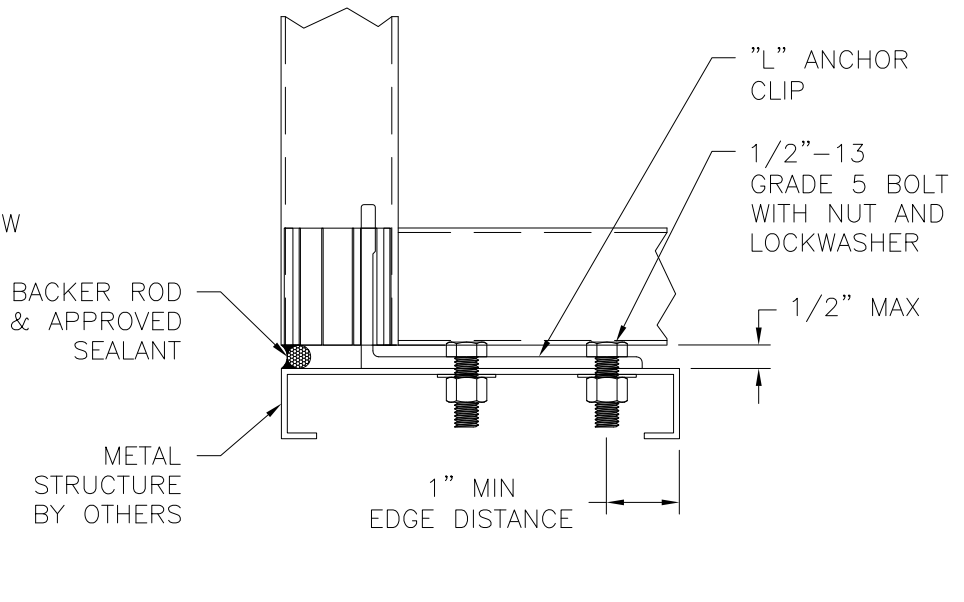
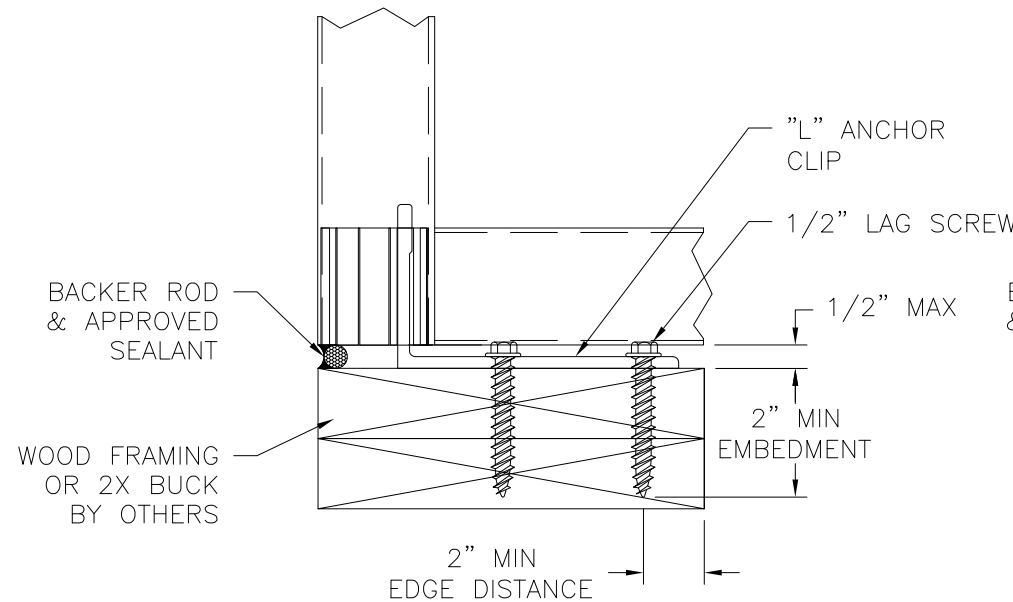
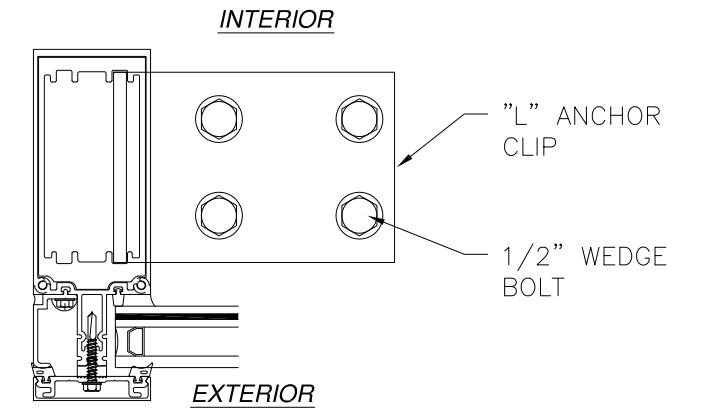
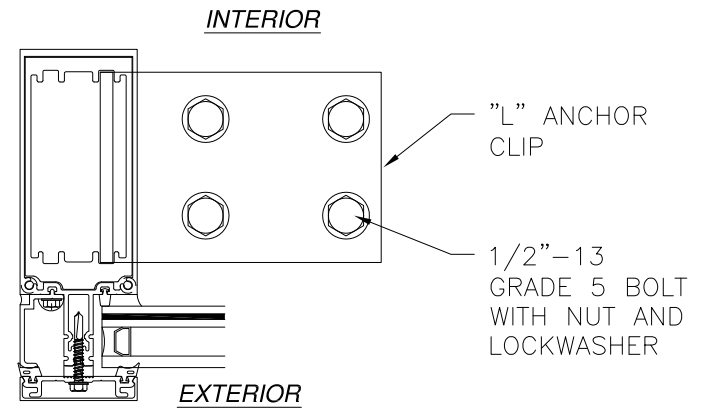
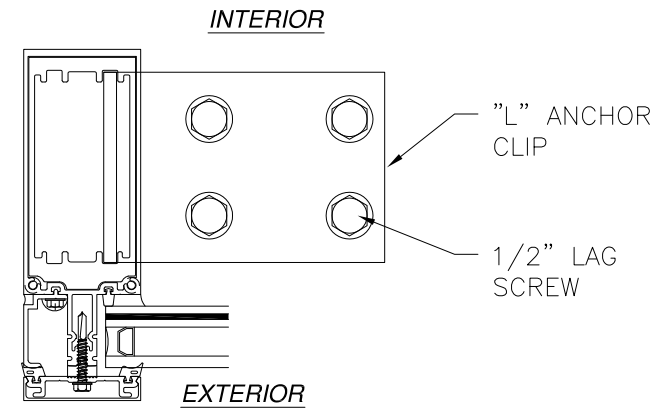
DRAWN: R.L.	DWG NO. 08-03023	REV -
SCALE NTS	DATE 12/07/16	SHEET 10 OF 24

L. ROBERTO LOMAS P.E.  
 1432 WOODFORD RD LEWISVILLE, NC 27023  
 434-688-0609 rllomas@rlomaspe.com



Luis R. Lomas P.E.  
 FL No.: 62514

REVISIONS			
REV	DESCRIPTION	DATE	APPROVED



**JAMB INSTALLATION DETAIL  
WITH "L" ANCHOR CLIP  
WOOD FRAMING OR 2X BUCK INSTALLATION  
SILL SHOWN, HEAD SIMILAR  
SEE CHART #7 FOR RATINGS**

**JAMB INSTALLATION DETAIL  
WITH "L" ANCHOR CLIP  
METAL STRUCTURE INSTALLATION  
SILL SHOWN, HEAD SIMILAR  
SEE CHART #7 FOR RATINGS**

**JAMB INSTALLATION DETAIL  
WITH "L" ANCHOR CLIP  
CONCRETE INSTALLATION  
SILL SHOWN, HEAD SIMILAR  
SEE CHART #7 FOR RATINGS**

- NOTES:**
- INTERIOR AND EXTERIOR FINISHES, BY OTHERS, NOT SHOWN FOR CLARITY.
  - PERIMETER AND JOINT SEALANT BY OTHERS TO BE DESIGNED IN ACCORDANCE WITH ASTM E2112

SIGNED: 12/15/2016

**US ALUMINUM**  
DIVISION OF C.R. LAURENCE CO., INC.  
720 CEL-RIVER RD., ROCK HILL, SC 29730

---

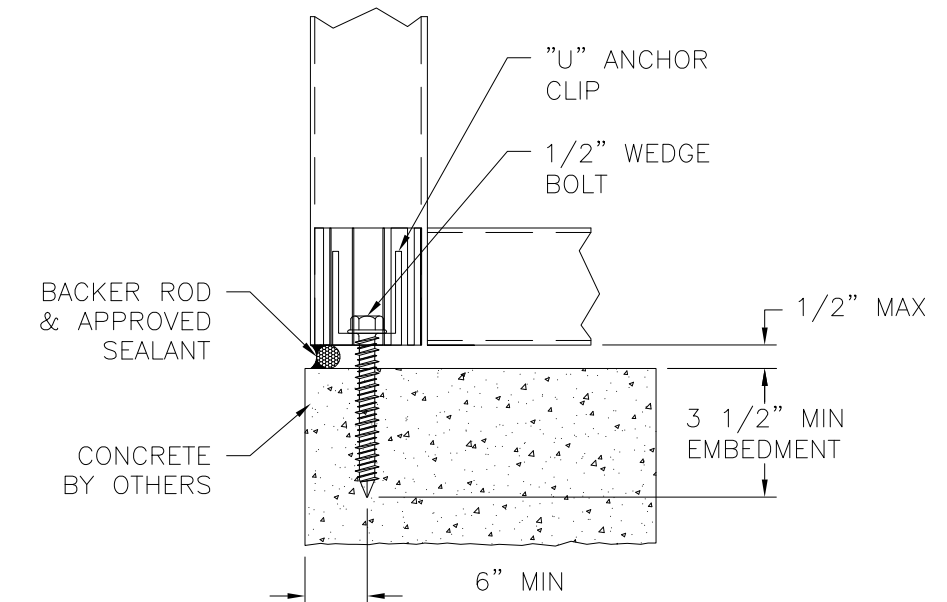
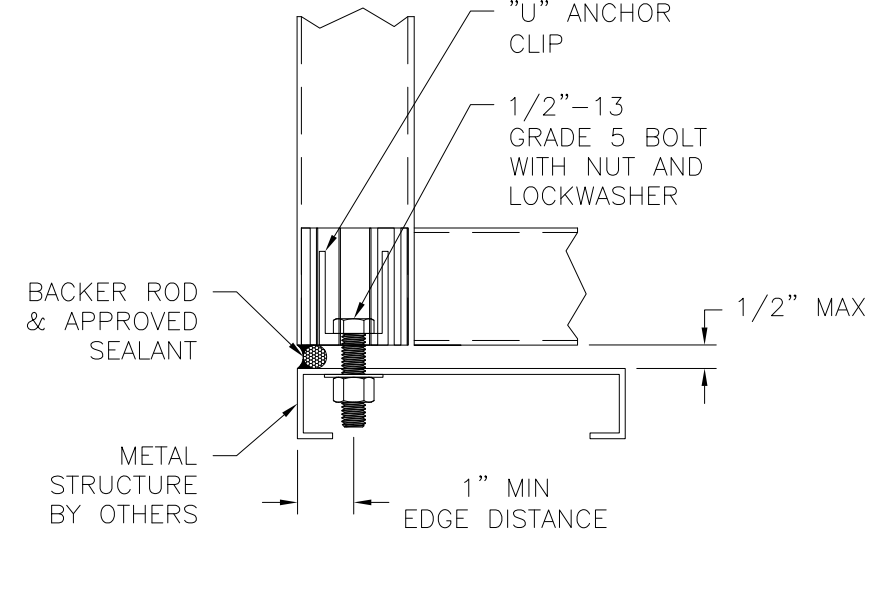
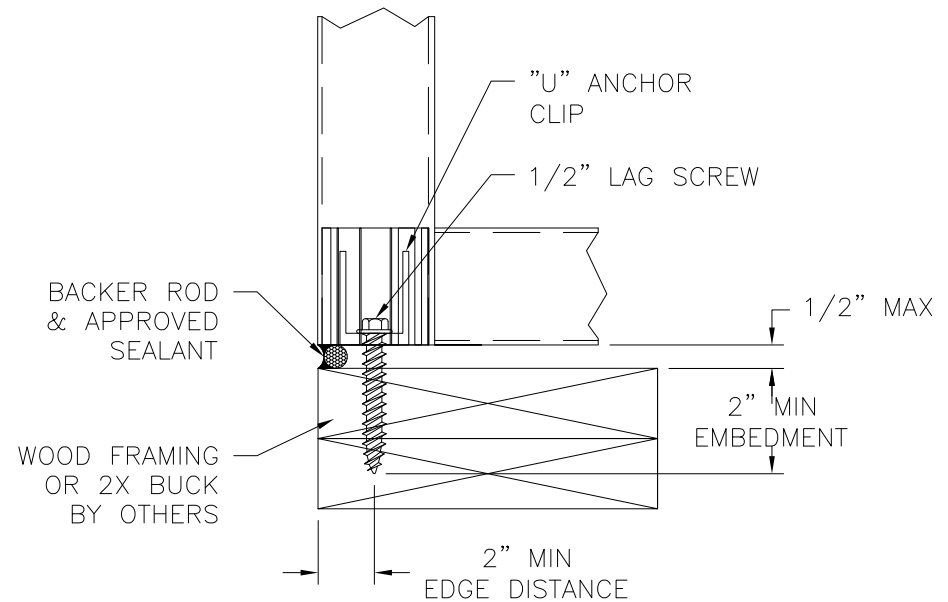
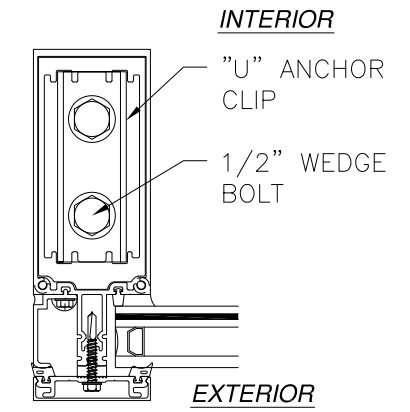
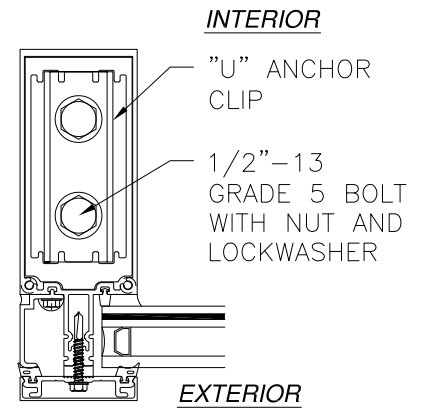
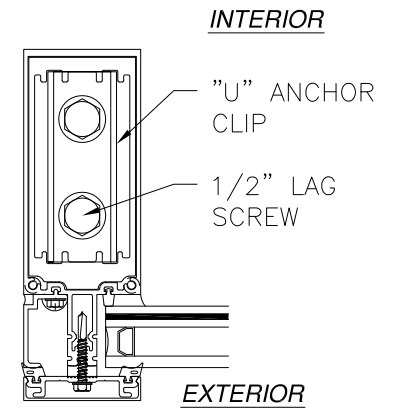
STORM WALL XL SSG HURRICANE RESISTANT  
CURTAIN WALL - WET GLAZED - LMI HVHZ  
INSTALLATION DETAILS

DRAWN: R.L.	DWG NO. 08-03023	REV -
SCALE NTS	DATE 12/07/16	SHEET 11 OF 24

L. ROBERTO LOMAS P.E.  
1432 WOODFORD RD LEWISVILLE, NC 27023  
434-688-0609 rllomas@rlomaspe.com

Luis R. Lomas P.E.  
FL No.: 62514

REVISIONS			
REV	DESCRIPTION	DATE	APPROVED



**JAMB INSTALLATION DETAIL  
WITH "U" ANCHOR CLIP**  
WOOD FRAMING OR 2X BUCK INSTALLATION  
SILL SHOWN, HEAD SIMILAR  
SEE CHART #6 FOR RATINGS

**JAMB INSTALLATION DETAIL  
WITH "U" ANCHOR CLIP**  
METAL STRUCTURE INSTALLATION  
SILL SHOWN, HEAD SIMILAR  
SEE CHART #7 FOR RATINGS

**JAMB INSTALLATION DETAIL  
WITH "U" ANCHOR CLIP**  
CONCRETE INSTALLATION  
SILL SHOWN, HEAD SIMILAR  
SEE CHART #7 FOR RATINGS

- NOTES:
1. INTERIOR AND EXTERIOR FINISHES, BY OTHERS, NOT SHOWN FOR CLARITY.
  2. PERIMETER AND JOINT SEALANT BY OTHERS TO BE DESIGNED IN ACCORDANCE WITH ASTM E2112

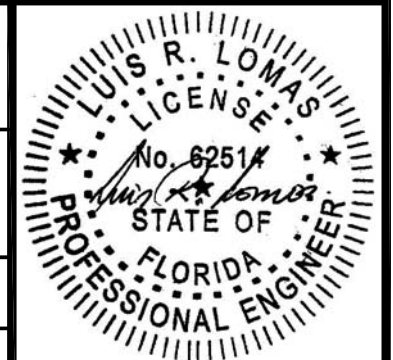
SIGNED: 12/15/2016

**US ALUMINUM**  
DIVISION OF C.R. LAURENCE CO., INC.  
720 CEL-RIVER RD., ROCK HILL, SC 29730

STORM WALL XL SSG HURRICANE RESISTANT  
CURTAIN WALL - WET GLAZED - LMI HVHZ  
INSTALLATION DETAILS

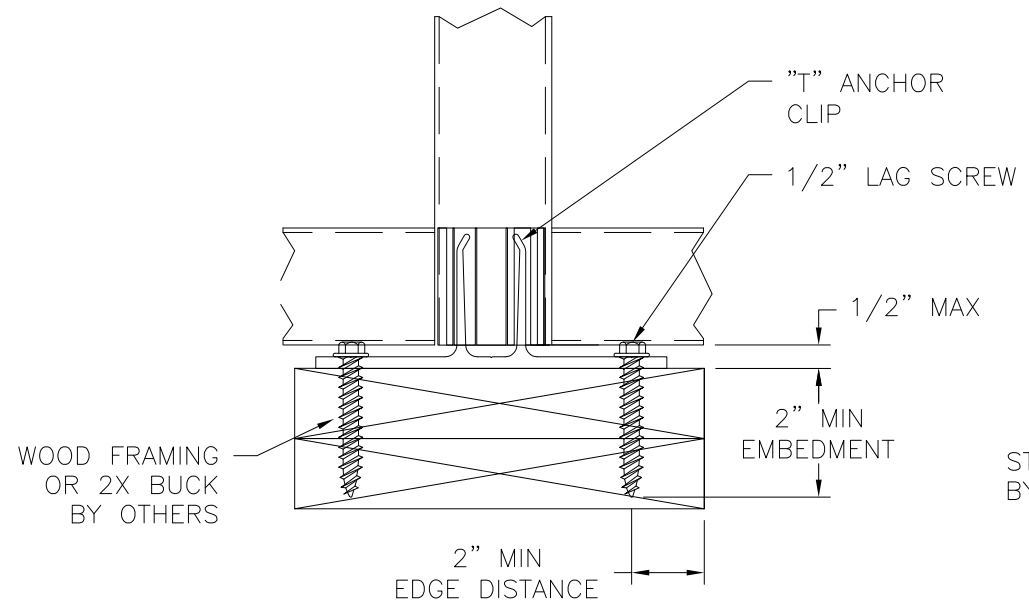
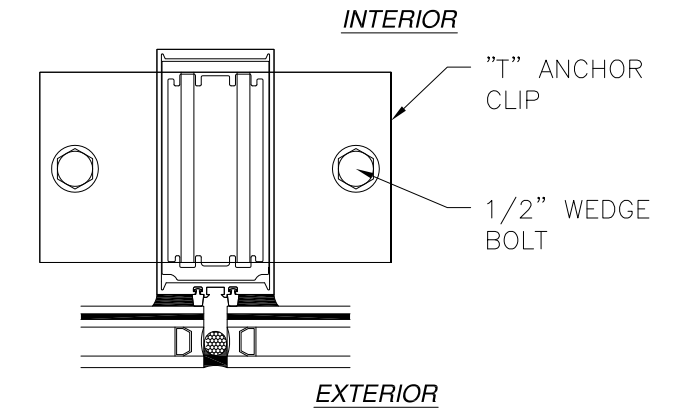
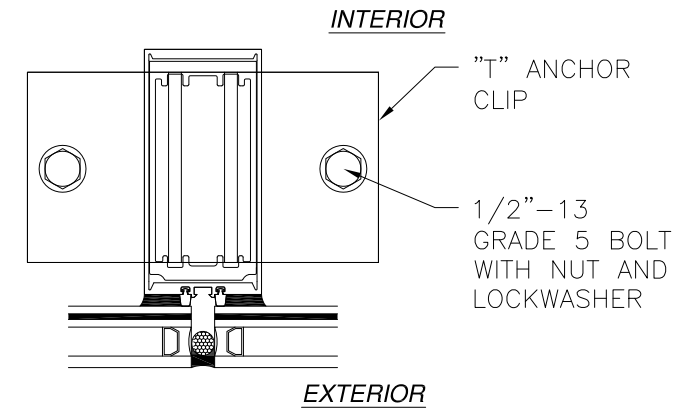
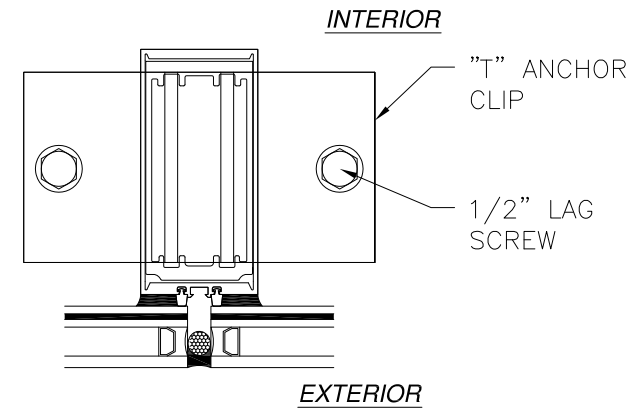
DRAWN: R.L.	DWG NO. 08-03023	REV -
SCALE NTS	DATE 12/07/16	SHEET 12 OF 24

L. ROBERTO LOMAS P.E.  
1432 WOODFORD RD LEWISVILLE, NC 27023  
434-688-0609 rllomas@rlomaspe.com

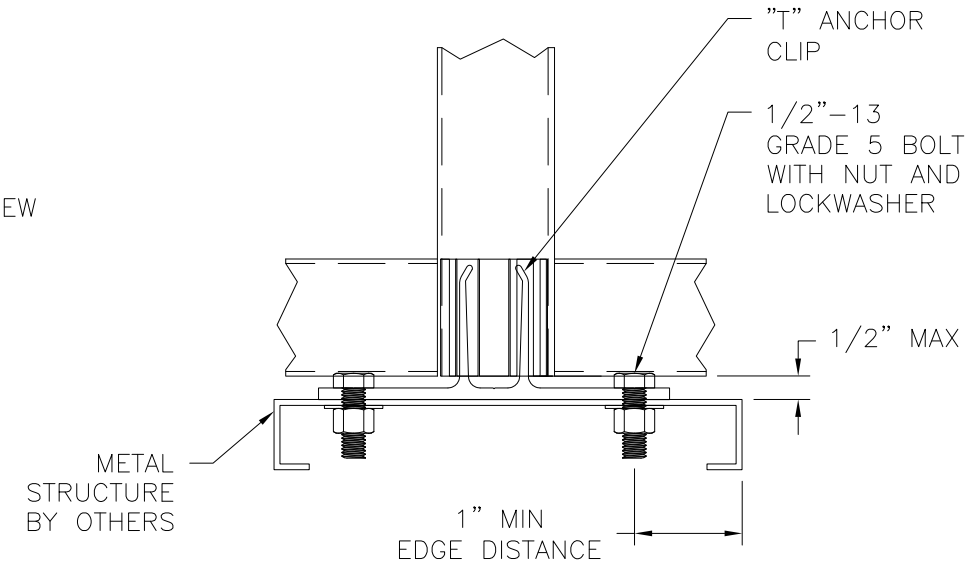


Luis R. Lomas P.E.  
FL No.: 62514

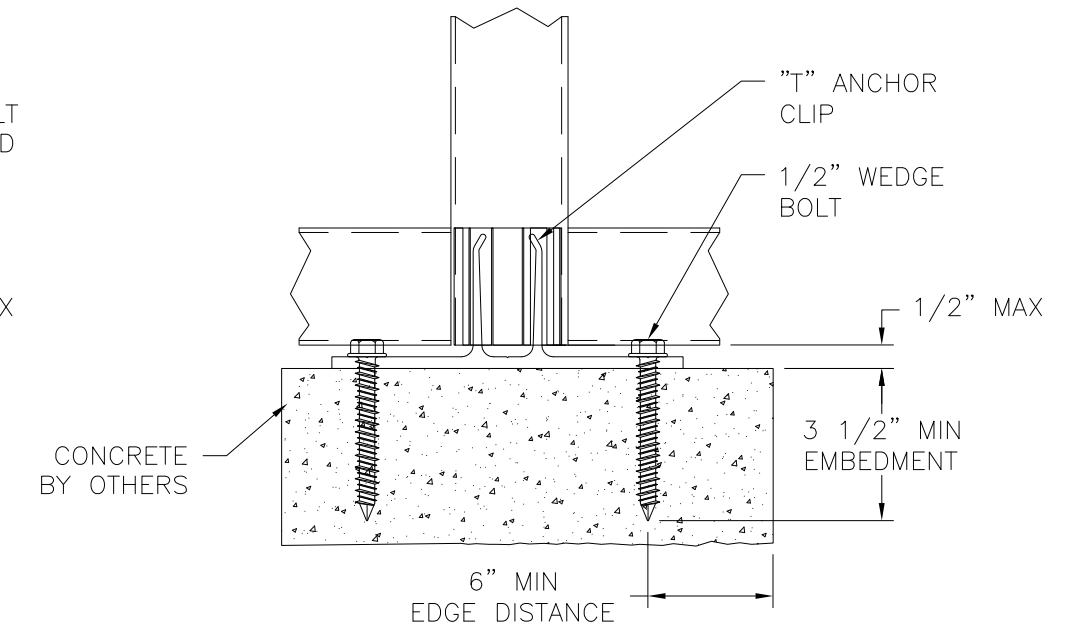
REVISIONS			
REV	DESCRIPTION	DATE	APPROVED



**MULLION INSTALLATION DETAIL  
WITH "T" ANCHOR CLIP  
WOOD FRAMING OR 2X BUCK INSTALLATION  
SILL SHOWN, HEAD SIMILAR  
SEE CHART #8 FOR RATINGS**



**MULLION INSTALLATION DETAIL  
WITH "T" ANCHOR CLIP  
METAL STRUCTURE INSTALLATION  
SILL SHOWN, HEAD SIMILAR  
SEE CHART #10 FOR RATINGS**



**MULLION INSTALLATION DETAIL  
WITH "T" ANCHOR CLIP  
CONCRETE INSTALLATION  
SILL SHOWN, HEAD SIMILAR  
SEE CHART #11 FOR RATINGS**

- NOTES:**
1. INTERIOR AND EXTERIOR FINISHES, BY OTHERS, NOT SHOWN FOR CLARITY.
  2. PERIMETER AND JOINT SEALANT BY OTHERS TO BE DESIGNED IN ACCORDANCE WITH ASTM E2112

SIGNED: 12/15/2016

**US ALUMINUM**  
DIVISION OF C.R. LAURENCE CO., INC.  
720 CEL-RIVER RD., ROCK HILL, SC 29730

---

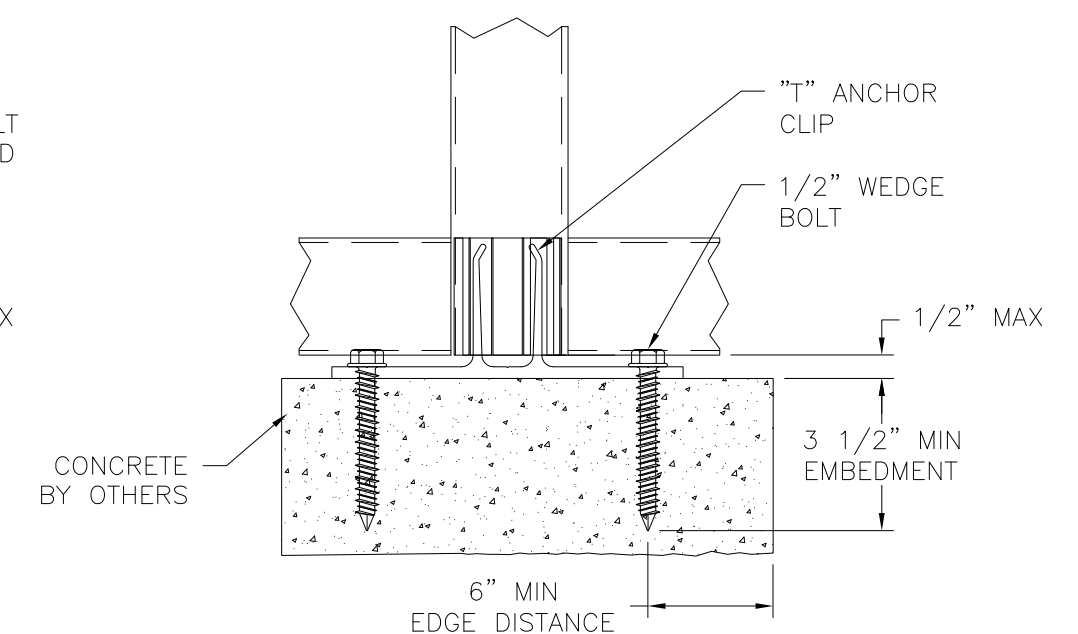
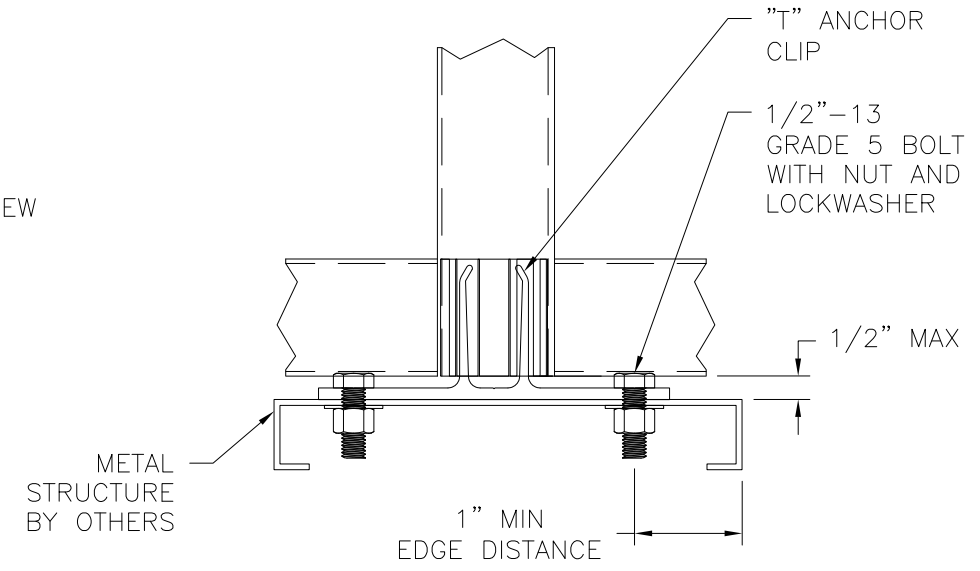
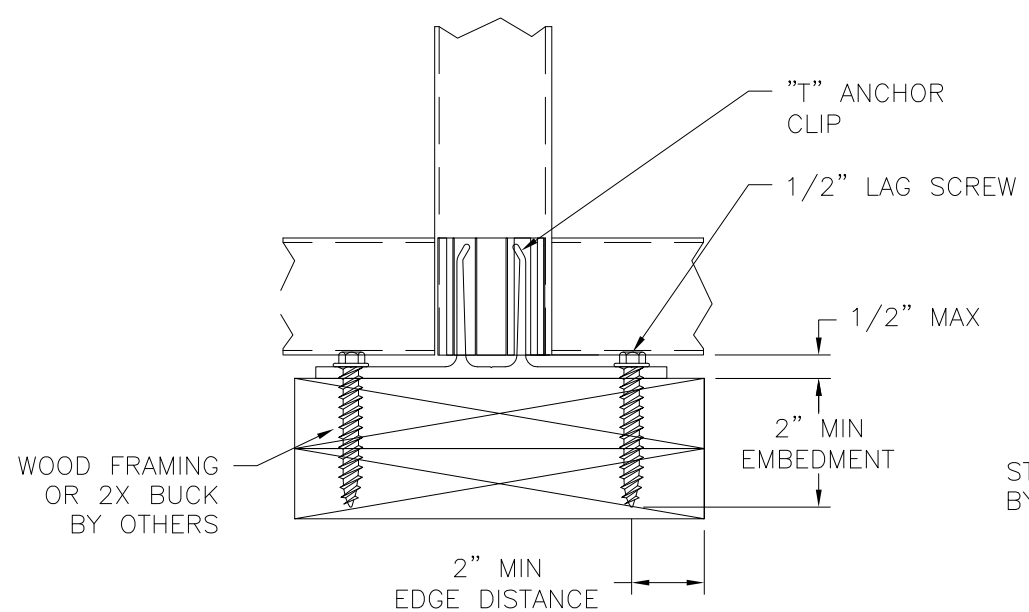
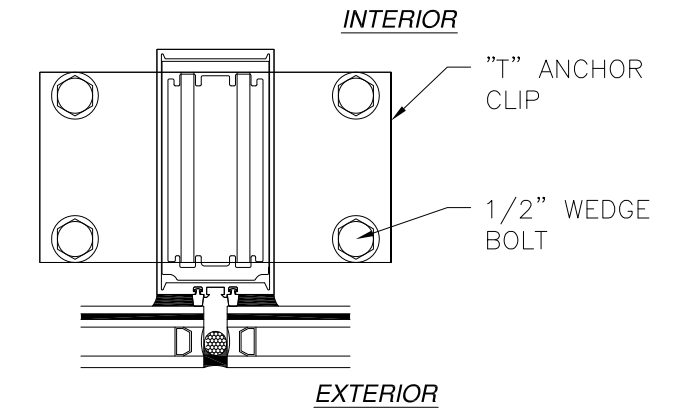
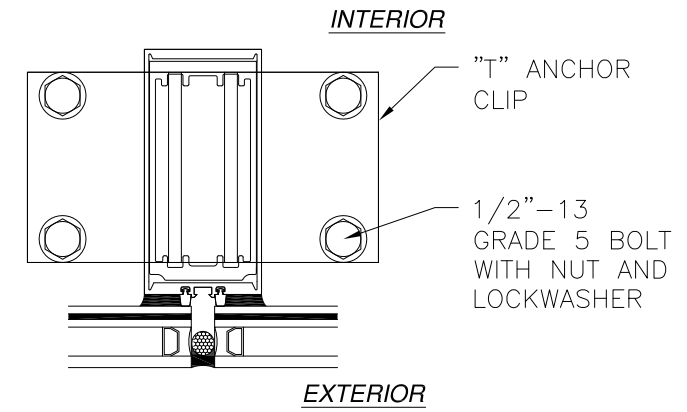
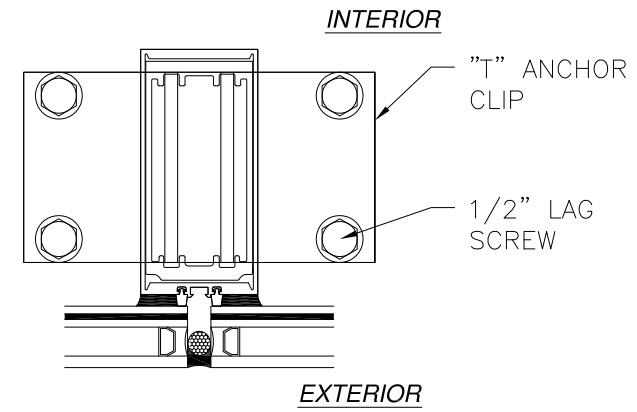
STORM WALL XL SSG HURRICANE RESISTANT  
CURTAIN WALL - WET GLAZED - LMI HVHZ  
INSTALLATION DETAILS

DRAWN: R.L.	DWG NO. 08-03023	REV -
SCALE NTS	DATE 12/07/16	SHEET 13 OF 24

L. ROBERTO LOMAS P.E.  
1432 WOODFORD RD LEWISVILLE, NC 27023  
434-688-0609 rllomas@rlomaspe.com

Luis R. Lomas P.E.  
FL No.: 62514

REVISIONS			
REV	DESCRIPTION	DATE	APPROVED



**MULLION INSTALLATION DETAIL  
WITH "T" ANCHOR CLIP  
WOOD FRAMING OR 2X BUCK INSTALLATION  
SILL SHOWN, HEAD SIMILAR  
SEE CHART #9 FOR RATINGS**

**MULLION INSTALLATION DETAIL  
WITH "T" ANCHOR CLIP  
METAL STRUCTURE INSTALLATION  
SILL SHOWN, HEAD SIMILAR  
SEE CHART #10 FOR RATINGS**

**MULLION INSTALLATION DETAIL  
WITH "T" ANCHOR CLIP  
CONCRETE INSTALLATION  
SILL SHOWN, HEAD SIMILAR  
SEE CHART #12 FOR RATINGS**

- NOTES:**
1. INTERIOR AND EXTERIOR FINISHES, BY OTHERS, NOT SHOWN FOR CLARITY.
  2. PERIMETER AND JOINT SEALANT BY OTHERS TO BE DESIGNED IN ACCORDANCE WITH ASTM E2112

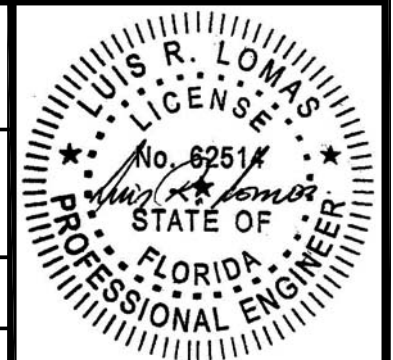
SIGNED: 12/15/2016

**US ALUMINUM**  
DIVISION OF C.R. LAURENCE CO., INC.  
720 CEL-RIVER RD., ROCK HILL, SC 29730

STORM WALL XL SSG HURRICANE RESISTANT  
CURTAIN WALL - WET GLAZED - LMI HVHZ  
INSTALLATION DETAILS

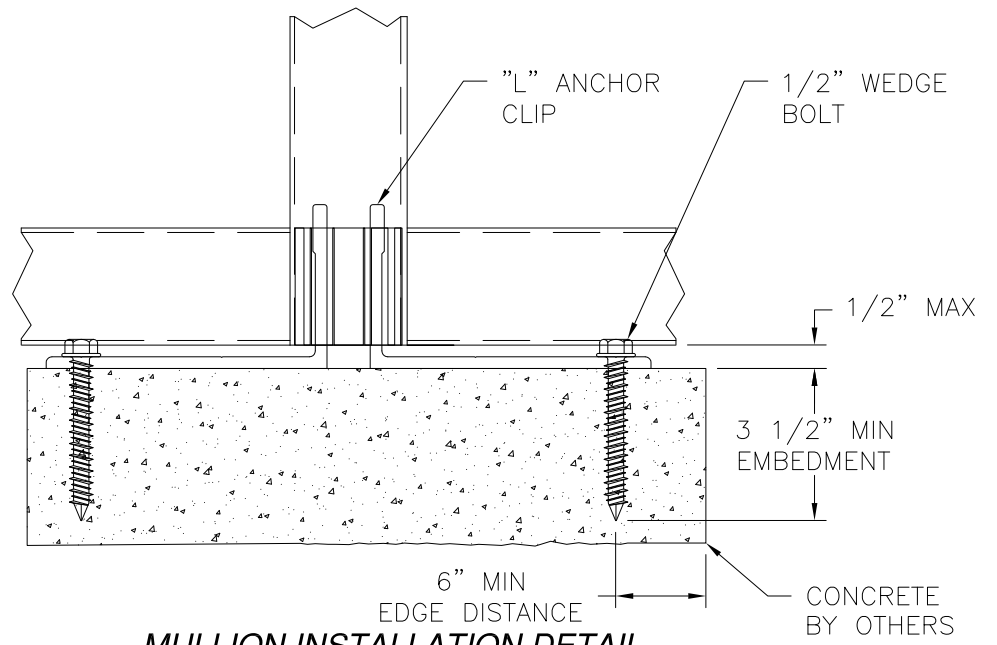
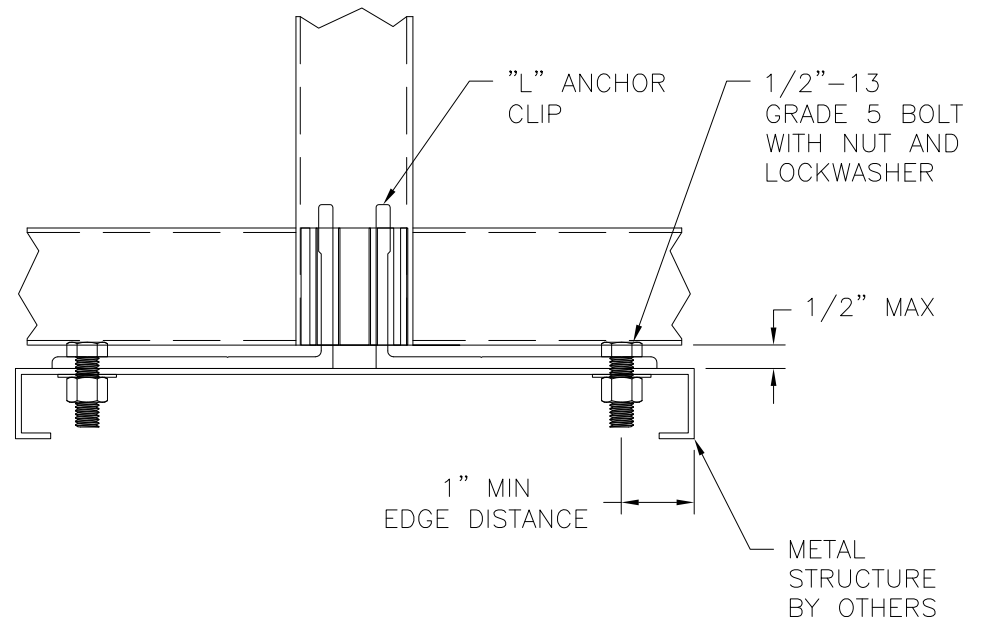
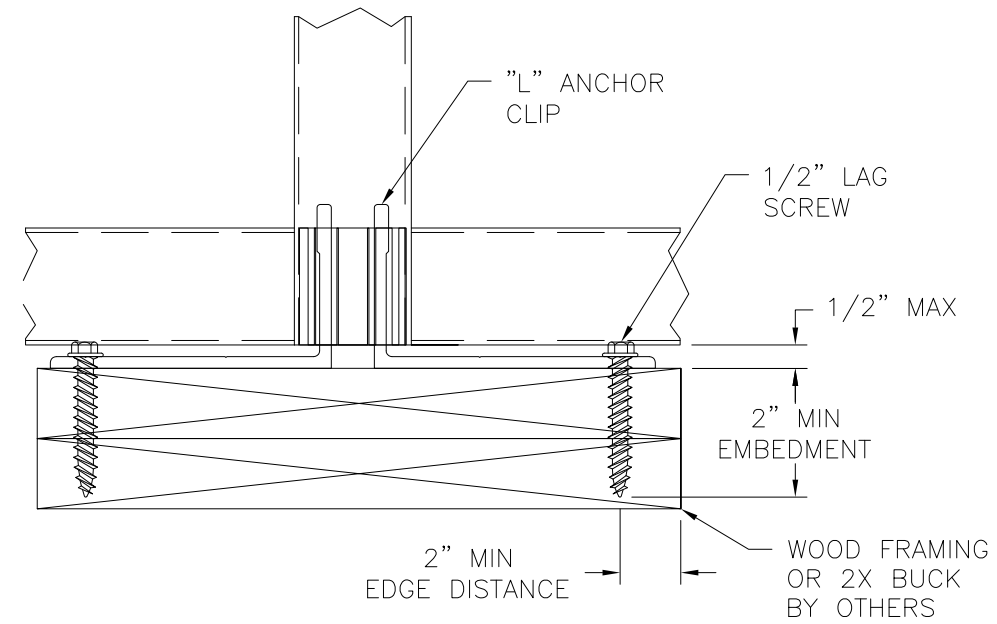
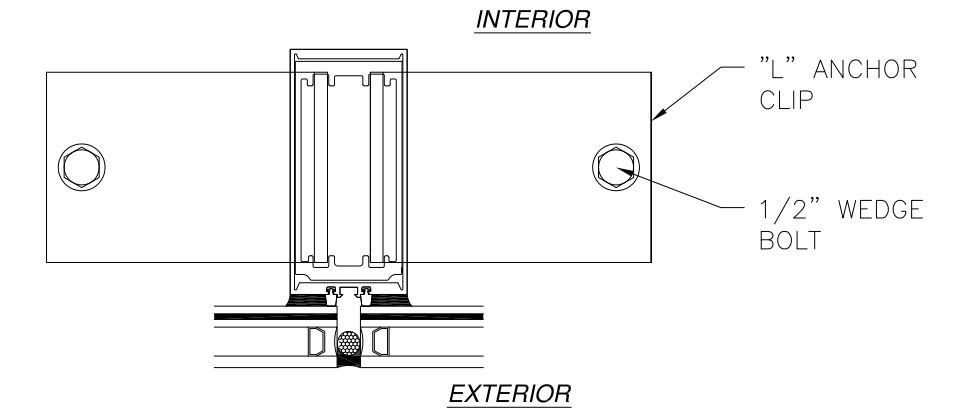
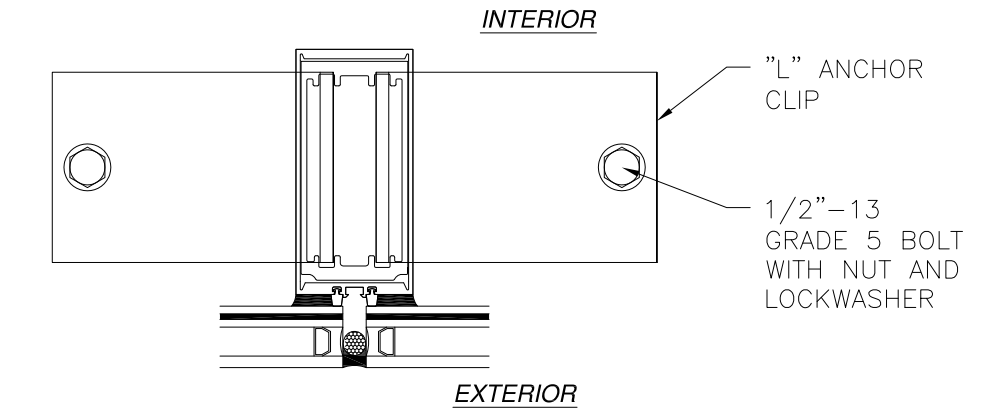
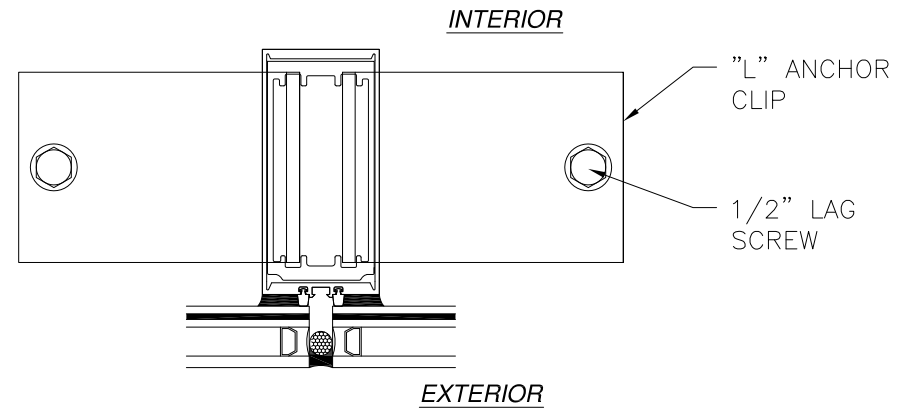
DRAWN: R.L.	DWG NO. 08-03023	REV -
SCALE NTS	DATE 12/07/16	SHEET 14 OF 24

L. ROBERTO LOMAS P.E.  
1432 WOODFORD RD LEWISVILLE, NC 27023  
434-688-0609 rllomas@rlomaspe.com



Luis R. Lomas P.E.  
FL No.: 62514

REVISIONS			
REV	DESCRIPTION	DATE	APPROVED



**MULLION INSTALLATION DETAIL**  
**WITH "L" ANCHOR CLIP**  
 WOOD FRAMING OR 2X BUCK INSTALLATION  
 SILL SHOWN, HEAD SIMILAR  
 SEE CHART #8 FOR RATINGS

**MULLION INSTALLATION DETAIL**  
**WITH "L" ANCHOR CLIP**  
 METAL STRUCTURE INSTALLATION  
 SILL SHOWN, HEAD SIMILAR  
 SEE CHART #10 FOR RATINGS

**MULLION INSTALLATION DETAIL**  
**WITH "L" ANCHOR CLIP**  
 CONCRETE INSTALLATION  
 SILL SHOWN, HEAD SIMILAR  
 SEE CHART #11 FOR RATINGS

- NOTES:
1. INTERIOR AND EXTERIOR FINISHES, BY OTHERS, NOT SHOWN FOR CLARITY.
  2. PERIMETER AND JOINT SEALANT BY OTHERS TO BE DESIGNED IN ACCORDANCE WITH ASTM E2112

SIGNED: 12/15/2016

**US ALUMINUM**  
 DIVISION OF C.R. LAURENCE CO., INC.  
 720 CEL-RIVER RD., ROCK HILL, SC 29730

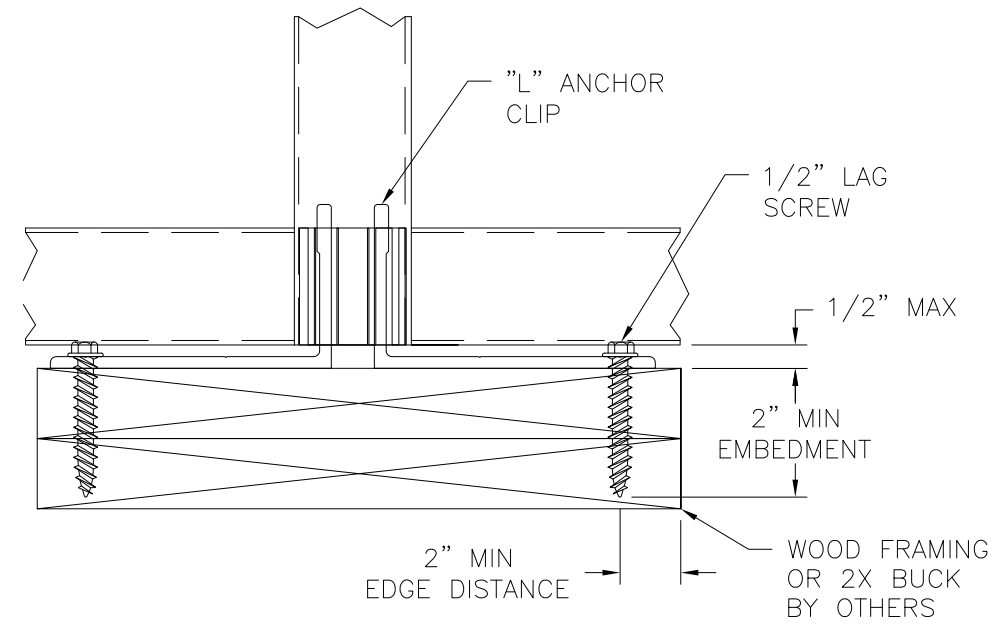
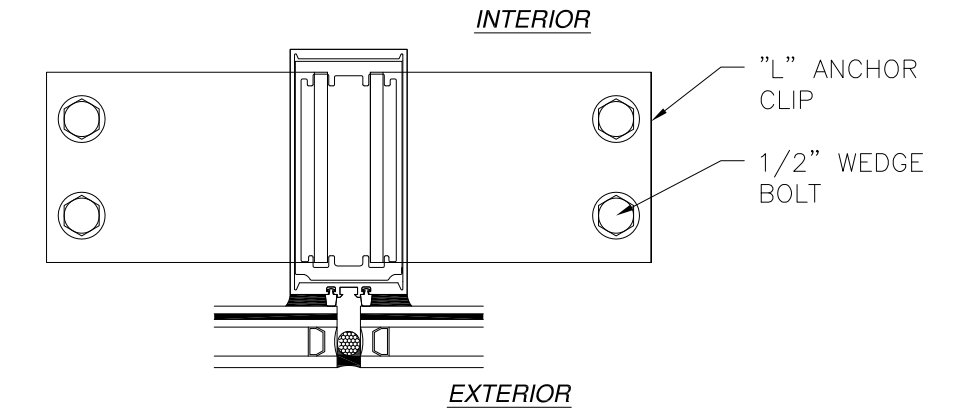
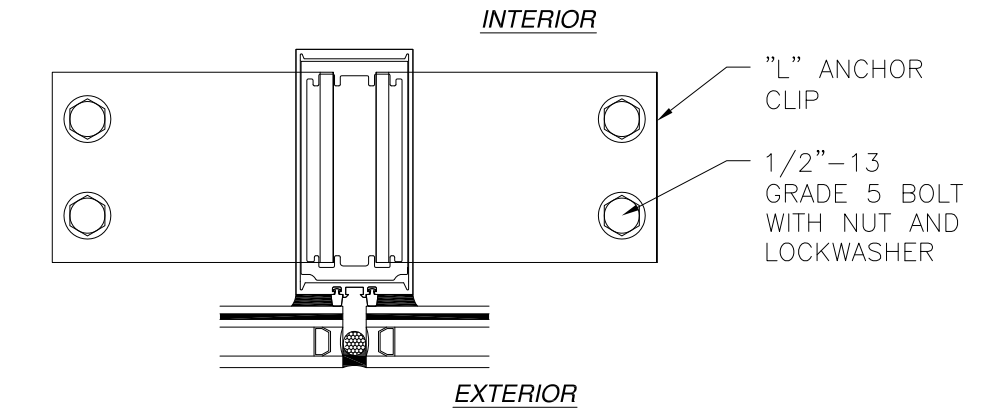
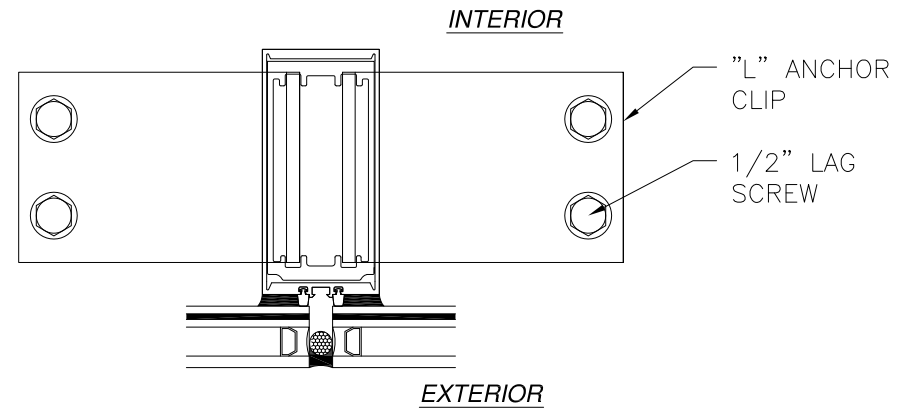
STORM WALL XL SSG HURRICANE RESISTANT  
 CURTAIN WALL - WET GLAZED - LMI HVHZ  
 INSTALLATION DETAILS

DRAWN: R.L.	DWG NO. 08-03023	REV -
SCALE NTS	DATE 12/07/16	SHEET 15 OF 24

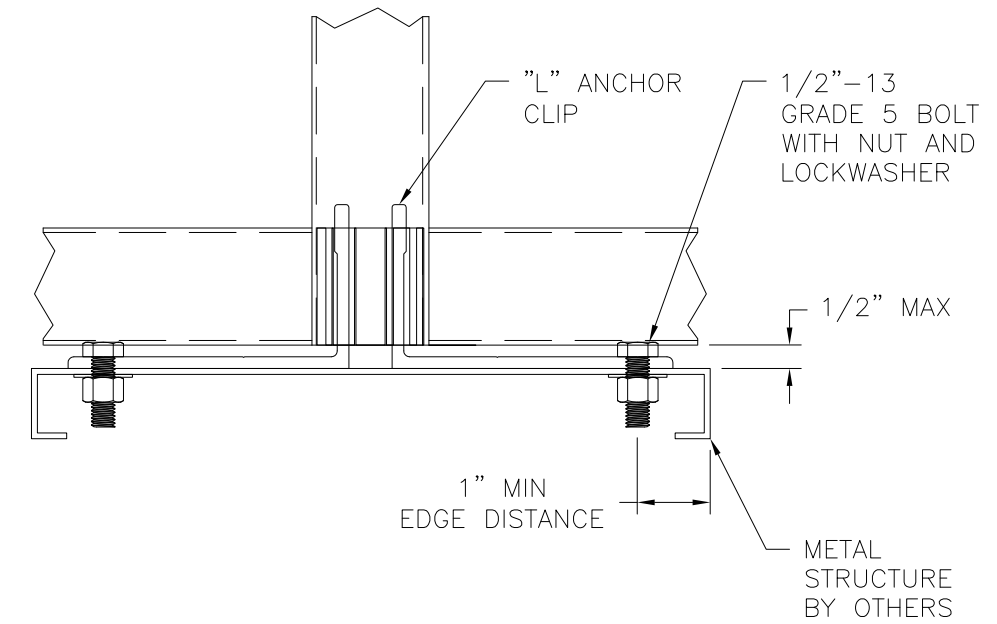
L. ROBERTO LOMAS P.E.  
 1432 WOODFORD RD LEWISVILLE, NC 27023  
 434-688-0609 rllomas@rlomaspe.com

Luis R. Lomas P.E.  
 FL No.: 62514

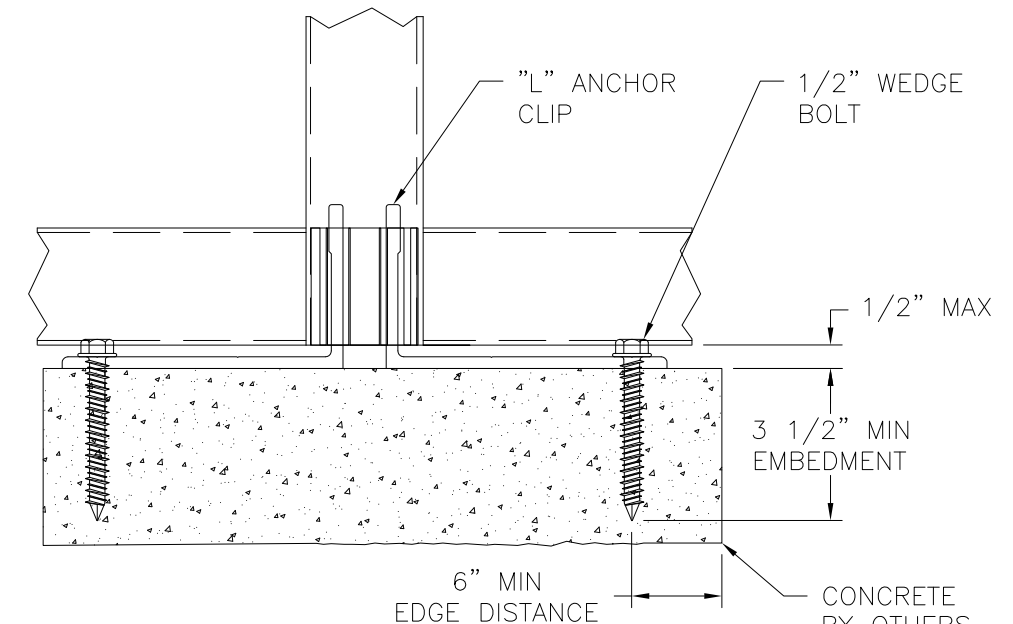
REVISIONS			
REV	DESCRIPTION	DATE	APPROVED



**MULLION INSTALLATION DETAIL WITH "L" ANCHOR CLIP**  
WOOD FRAMING OR 2X BUCK INSTALLATION  
SILL SHOWN, HEAD SIMILAR  
SEE CHART #9 FOR RATINGS



**MULLION INSTALLATION DETAIL WITH "L" ANCHOR CLIP**  
METAL STRUCTURE INSTALLATION  
SILL SHOWN, HEAD SIMILAR  
SEE CHART #10 FOR RATINGS



**MULLION INSTALLATION DETAIL WITH "L" ANCHOR CLIP**  
CONCRETE INSTALLATION  
SILL SHOWN, HEAD SIMILAR  
SEE CHART #12 FOR RATINGS

- NOTES:
1. INTERIOR AND EXTERIOR FINISHES, BY OTHERS, NOT SHOWN FOR CLARITY.
  2. PERIMETER AND JOINT SEALANT BY OTHERS TO BE DESIGNED IN ACCORDANCE WITH ASTM E2112

SIGNED: 12/15/2016

**US ALUMINUM**  
DIVISION OF C.R. LAURENCE CO., INC.  
720 CEL-RIVER RD., ROCK HILL, SC 29730

STORM WALL XL SSG HURRICANE RESISTANT  
CURTAIN WALL - WET GLAZED - LMI HVHZ  
INSTALLATION DETAILS

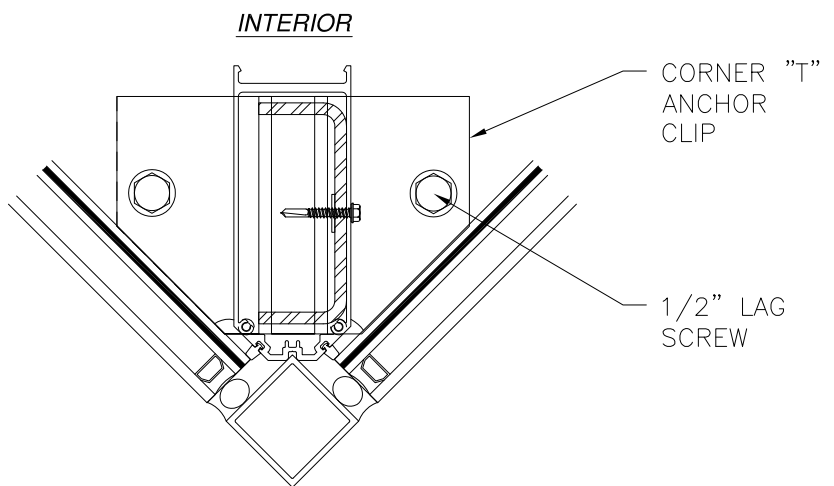
DRAWN: R.L.	DWG NO. 08-03023	REV -
SCALE NTS	DATE 12/07/16	SHEET 16 OF 24

L. ROBERTO LOMAS P.E.  
1432 WOODFORD RD LEWISVILLE, NC 27023  
434-688-0609 rllomas@rlomaspe.com

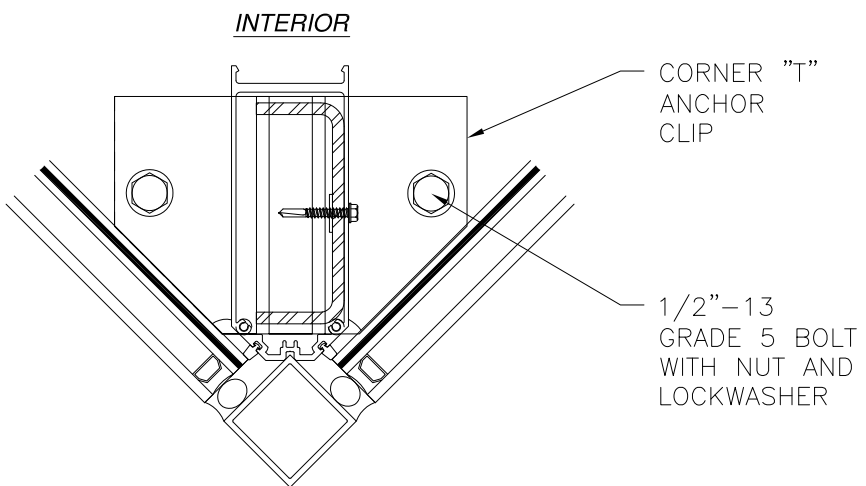
Luis R. Lomas P.E.  
FL No.: 62514



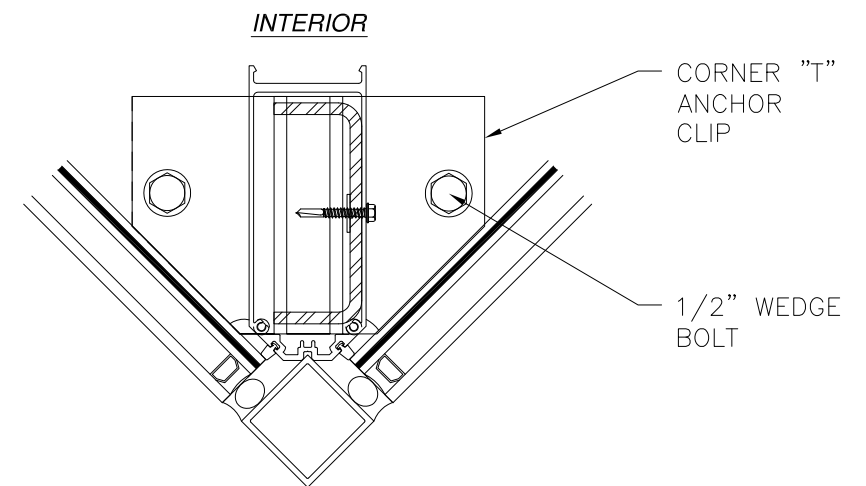
REVISIONS			
REV	DESCRIPTION	DATE	APPROVED



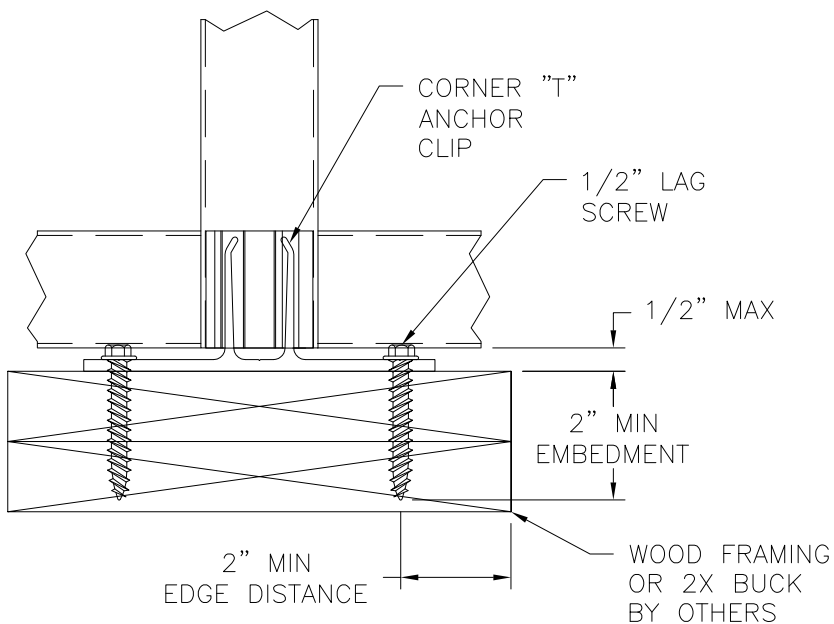
EXTERIOR



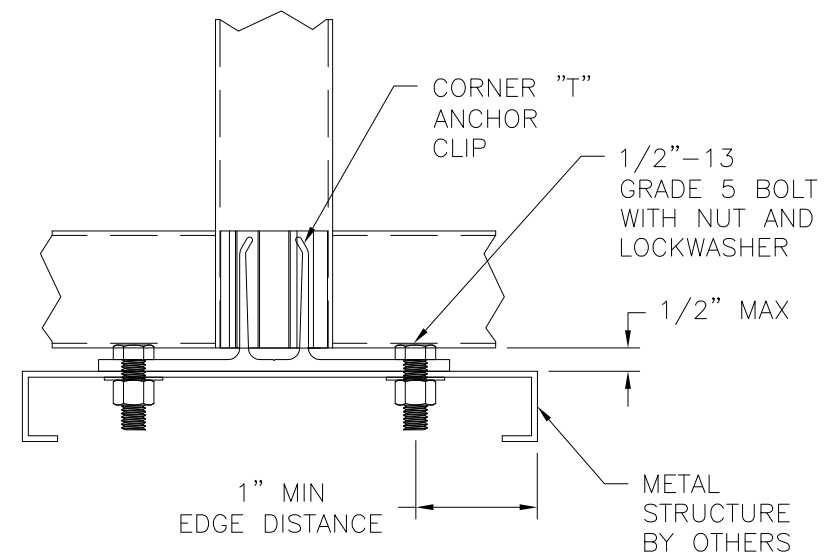
EXTERIOR



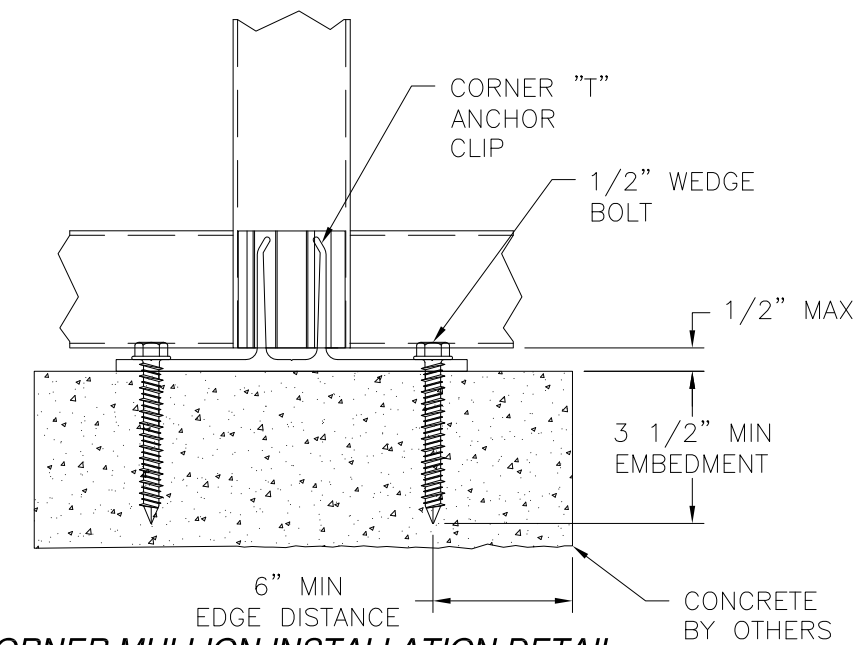
EXTERIOR



**CORNER MULLION INSTALLATION DETAIL WITH "T" ANCHOR CLIP**  
WOOD FRAMING OR 2X BUCK INSTALLATION  
SILL SHOWN, HEAD SIMILAR  
SEE CHART #8 FOR RATINGS



**CORNER MULLION INSTALLATION DETAIL WITH "T" ANCHOR CLIP**  
METAL STRUCTURE INSTALLATION  
SILL SHOWN, HEAD SIMILAR  
SEE CHART #10 FOR RATINGS



**CORNER MULLION INSTALLATION DETAIL WITH "T" ANCHOR CLIP**  
CONCRETE INSTALLATION  
SILL SHOWN, HEAD SIMILAR  
SEE CHART #11 FOR RATINGS

- NOTES:
1. INTERIOR AND EXTERIOR FINISHES, BY OTHERS, NOT SHOWN FOR CLARITY.
  2. PERIMETER AND JOINT SEALANT BY OTHERS TO BE DESIGNED IN ACCORDANCE WITH ASTM E2112

SIGNED: 12/15/2016

**US ALUMINUM**  
DIVISION OF C.R. LAURENCE CO., INC.  
720 CEL-RIVER RD., ROCK HILL, SC 29730

STORM WALL XL SSG HURRICANE RESISTANT  
CURTAIN WALL - WET GLAZED - LMI HVHZ  
INSTALLATION DETAILS

DRAWN: R.L.	DWG NO. 08-03023	REV -
SCALE NTS	DATE 12/07/16	SHEET 17 OF 24

L. ROBERTO LOMAS P.E.  
1432 WOODFORD RD LEWISVILLE, NC 27023  
434-688-0609 rllomas@rlomaspe.com

Luis R. Lomas P.E.  
FL No.: 62514

REVISIONS			
REV	DESCRIPTION	DATE	APPROVED

**Chart #7**

**Design pressure for anchoring into  
into wood with (4) anchors per clip or  
into metal or concrete with (2) or (4) anchors per clip**

Frame Height (in)	Tributary width (in)								
	24.0	30.0	36.0	42.0	48.0	54.0	60.0	66.0	72.0
60.0	90.0	90.0	90.0	90.0	90.0	90.0	90.0	90.0	90.0
66.0	90.0	90.0	90.0	90.0	90.0	90.0	90.0	90.0	90.0
72.0	90.0	90.0	90.0	90.0	90.0	90.0	90.0	90.0	90.0
78.0	90.0	90.0	90.0	90.0	90.0	90.0	90.0	90.0	90.0
84.0	90.0	90.0	90.0	90.0	90.0	90.0	90.0	90.0	90.0
90.0	90.0	90.0	90.0	90.0	90.0	90.0	90.0	90.0	90.0
96.0	90.0	90.0	90.0	90.0	90.0	90.0	90.0	90.0	90.0
102.0	90.0	90.0	90.0	90.0	90.0	90.0	90.0	90.0	90.0
108.0	90.0	90.0	90.0	90.0	90.0	90.0	90.0	90.0	90.0
114.0	90.0	90.0	90.0	90.0	90.0	90.0	90.0	90.0	90.0
120.0	90.0	90.0	90.0	90.0	90.0	90.0	90.0	90.0	90.0
126.0	90.0	90.0	90.0	90.0	90.0	90.0	90.0	90.0	90.0
132.0	90.0	90.0	90.0	90.0	90.0	90.0	90.0	90.0	90.0
138.0	90.0	90.0	90.0	90.0	90.0	90.0	90.0	90.0	90.0
144.0	90.0	90.0	90.0	90.0	90.0	90.0	90.0	90.0	90.0
150.0	90.0	90.0	90.0	90.0	90.0	90.0	90.0	90.0	90.0
156.0	90.0	90.0	90.0	90.0	90.0	90.0	90.0	90.0	90.0
162.0	90.0	90.0	90.0	90.0	90.0	90.0	90.0	90.0	90.0
168.0	90.0	90.0	90.0	90.0	90.0	90.0	90.0	90.0	90.0
174.0	90.0	90.0	90.0	90.0	90.0	90.0	90.0	90.0	90.0
175.0	90.0	90.0	90.0	90.0	90.0	90.0	90.0	90.0	90.0

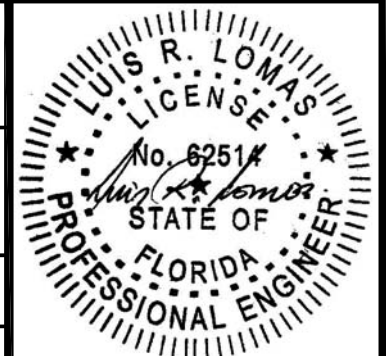
**Chart #6**

**Design pressure for anchoring into wood with (2) anchors per clip**

Frame Height (in)	Tributary width (in)								
	24.0	30.0	36.0	42.0	48.0	54.0	60.0	66.0	72.0
60.0	90.0	90.0	90.0	90.0	90.0	90.0	90.0	90.0	90.0
66.0	90.0	90.0	90.0	90.0	90.0	90.0	90.0	90.0	90.0
72.0	90.0	90.0	90.0	90.0	90.0	90.0	90.0	90.0	90.0
78.0	90.0	90.0	90.0	90.0	90.0	90.0	90.0	90.0	90.0
84.0	90.0	90.0	90.0	90.0	90.0	90.0	90.0	90.0	90.0
90.0	90.0	90.0	90.0	90.0	90.0	90.0	90.0	90.0	90.0
96.0	90.0	90.0	90.0	90.0	90.0	90.0	90.0	90.0	90.0
102.0	90.0	90.0	90.0	90.0	90.0	90.0	90.0	90.0	90.0
108.0	90.0	90.0	90.0	90.0	90.0	90.0	90.0	90.0	90.0
114.0	90.0	90.0	90.0	90.0	90.0	90.0	90.0	90.0	90.0
120.0	90.0	90.0	90.0	90.0	90.0	90.0	90.0	90.0	90.0
126.0	90.0	90.0	90.0	90.0	90.0	90.0	90.0	90.0	90.0
132.0	90.0	90.0	90.0	90.0	90.0	90.0	90.0	90.0	90.0
138.0	90.0	90.0	90.0	90.0	90.0	90.0	90.0	90.0	89.9
144.0	90.0	90.0	90.0	90.0	90.0	90.0	90.0	90.0	86.1
150.0	90.0	90.0	90.0	90.0	90.0	90.0	90.0	90.0	82.7
156.0	90.0	90.0	90.0	90.0	90.0	90.0	90.0	86.7	79.5
162.0	90.0	90.0	90.0	90.0	90.0	90.0	90.0	83.5	76.5
168.0	90.0	90.0	90.0	90.0	90.0	90.0	88.6	80.5	73.8
174.0	90.0	90.0	90.0	90.0	90.0	90.0	85.5	77.7	71.3
175.0	90.0	90.0	90.0	90.0	90.0	90.0	85.0	77.3	70.9

SIGNED: 12/15/2016

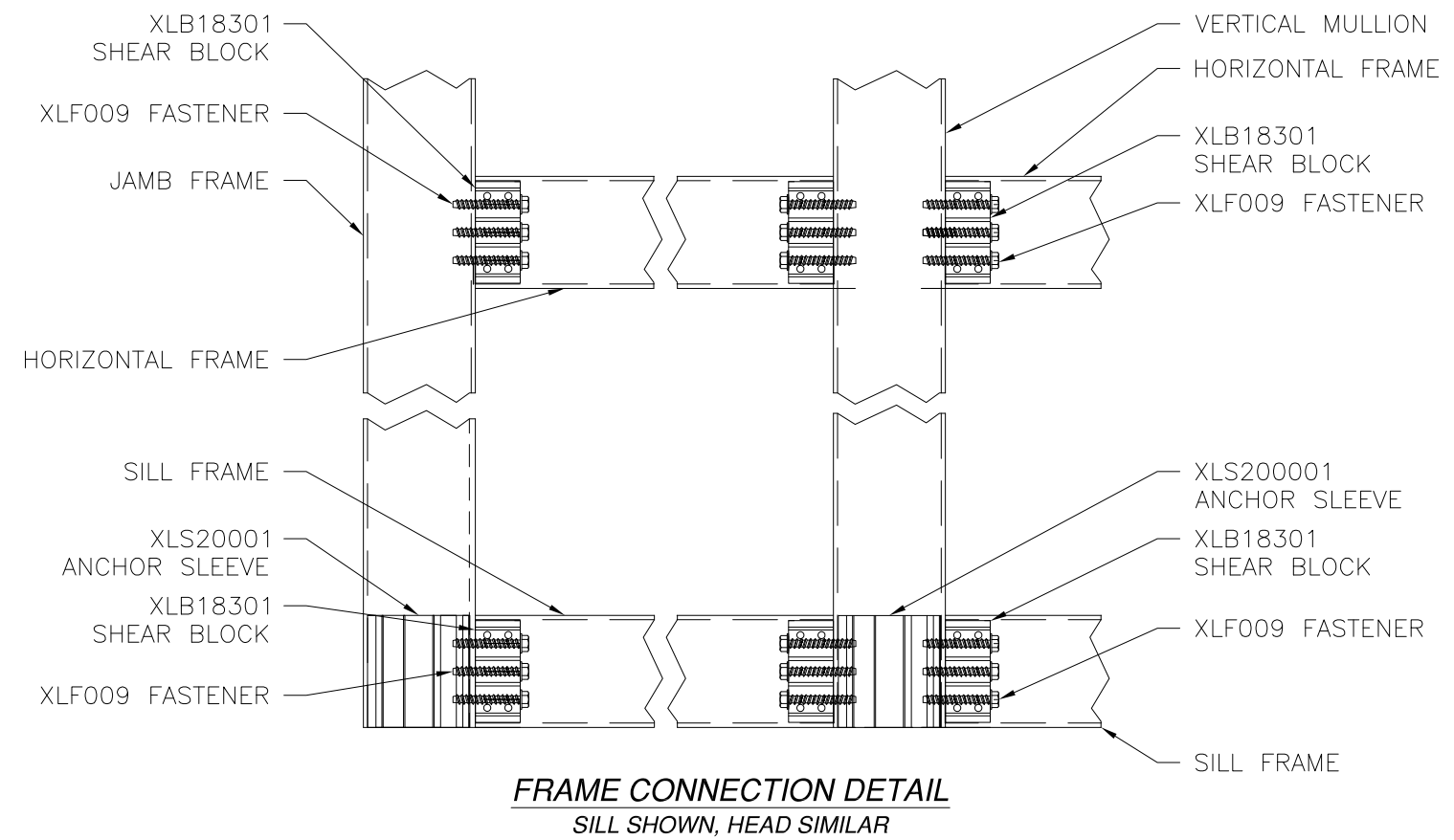
<b>US ALUMINUM</b> DIVISION OF C.R. LAURENCE CO., INC. 720 CEL-RIVER RD., ROCK HILL, SC 29730		
STORM WALL XL SSG HURRICANE RESISTANT CURTAIN WALL – WET GLAZED – LMI HVHZ INSTALLATION DETAILS RATING CHARTS		
DRAWN: R.L.	DWG NO. 08-03023	REV -
SCALE NTS	DATE 12/07/16	SHEET 18 OF 24
L. ROBERTO LOMAS P.E. 1432 WOODFORD RD LEWISVILLE, NC 27023 434-688-0609 rllomas@rlomaspe.com		



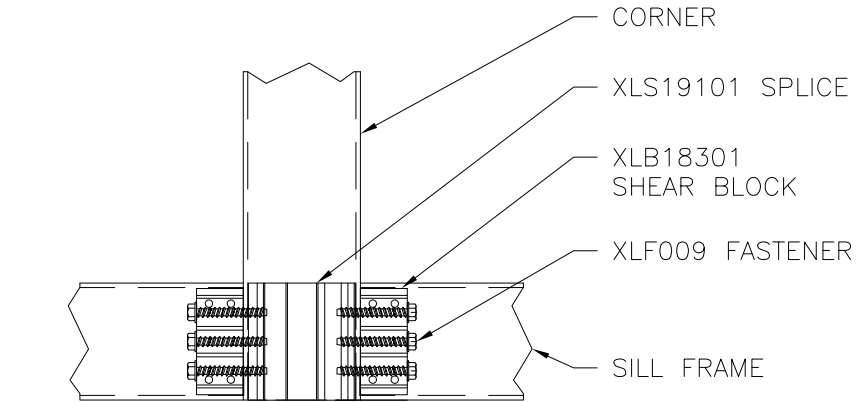
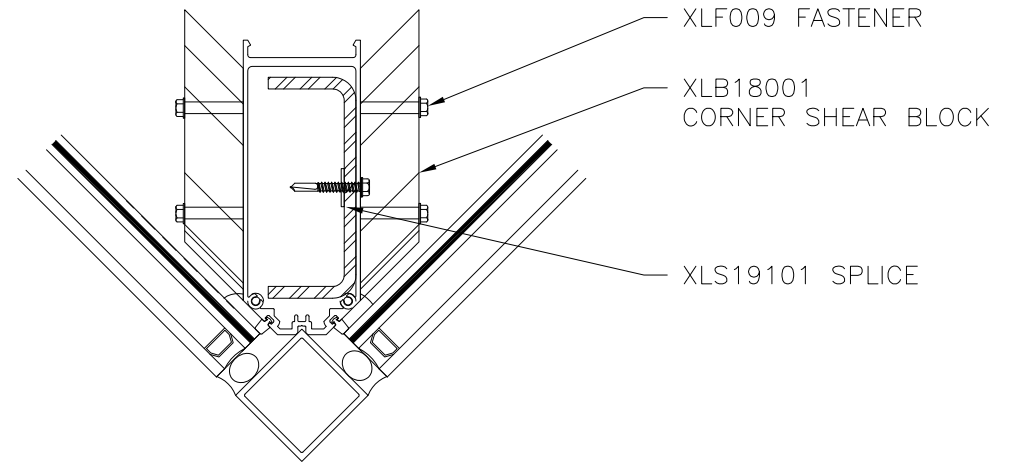
Luis R. Lomas P.E.  
FL No.: 62514



REVISIONS			
REV	DESCRIPTION	DATE	APPROVED



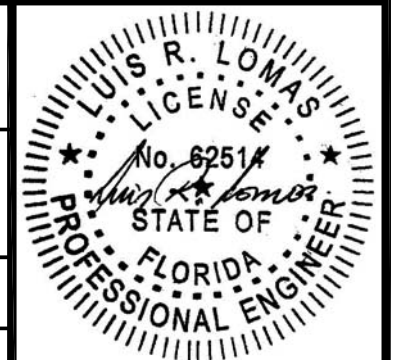
**FRAME CONNECTION DETAIL**  
SILL SHOWN, HEAD SIMILAR



**CORNER FRAME CONNECTION DETAIL**  
SILL SHOWN, HEAD SIMILAR

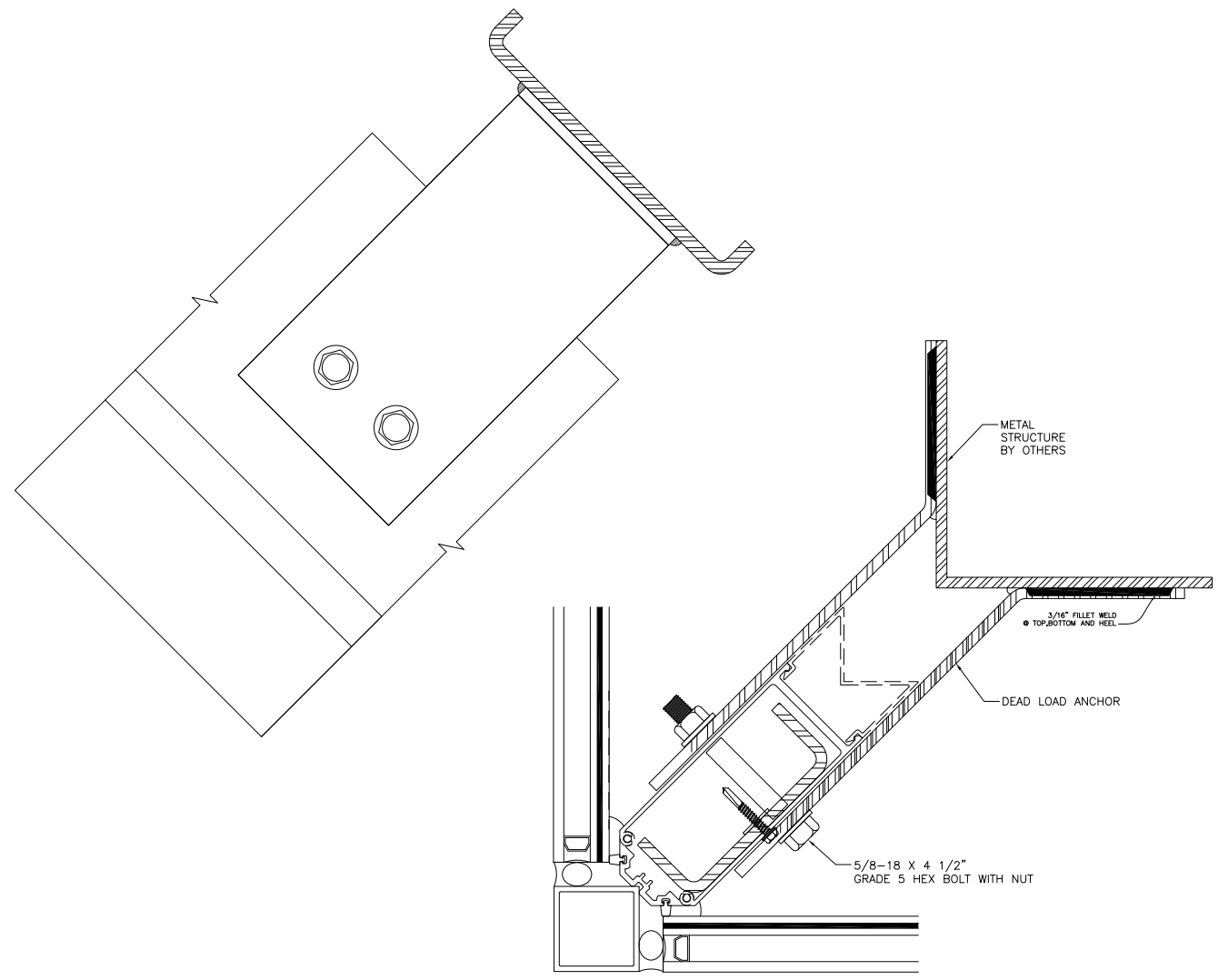
SIGNED: 12/15/2016

<b>US ALUMINUM</b> DIVISION OF C.R. LAURENCE CO., INC. 720 CEL-RIVER RD., ROCK HILL, SC 29730		
STORM WALL XL SSG HURRICANE RESISTANT CURTAIN WALL - WET GLAZED - LMI HVHZ INSTALLATION DETAILS		
DRAWN: R.L.	DWG NO. 08-03023	REV -
SCALE NTS	DATE 12/07/16	SHEET 20 OF 24
L. ROBERTO LOMAS P.E. 1432 WOODFORD RD LEWISVILLE, NC 27023 434-688-0609 rllomas@rlomaspe.com		

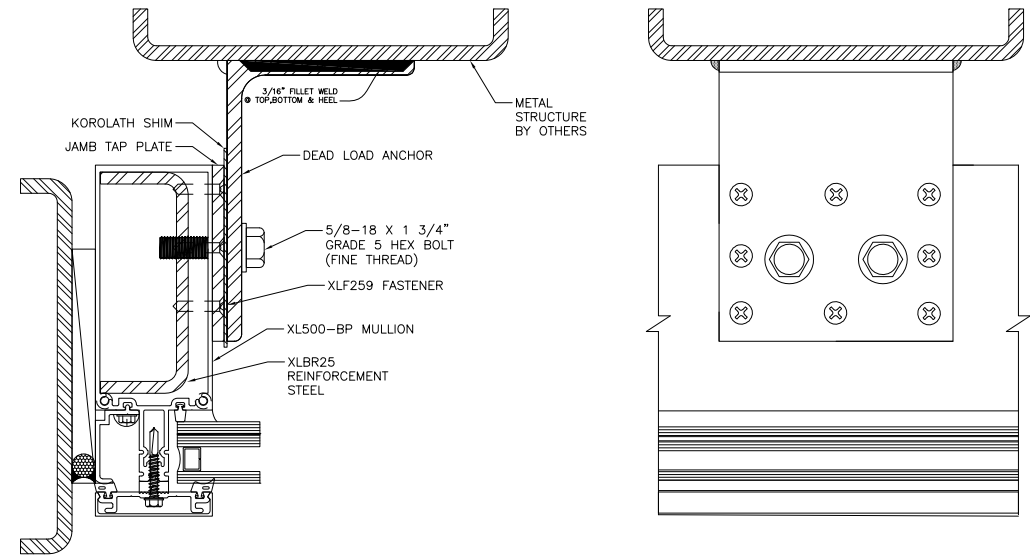


Luis R. Lomas P.E.  
FL No.: 62514

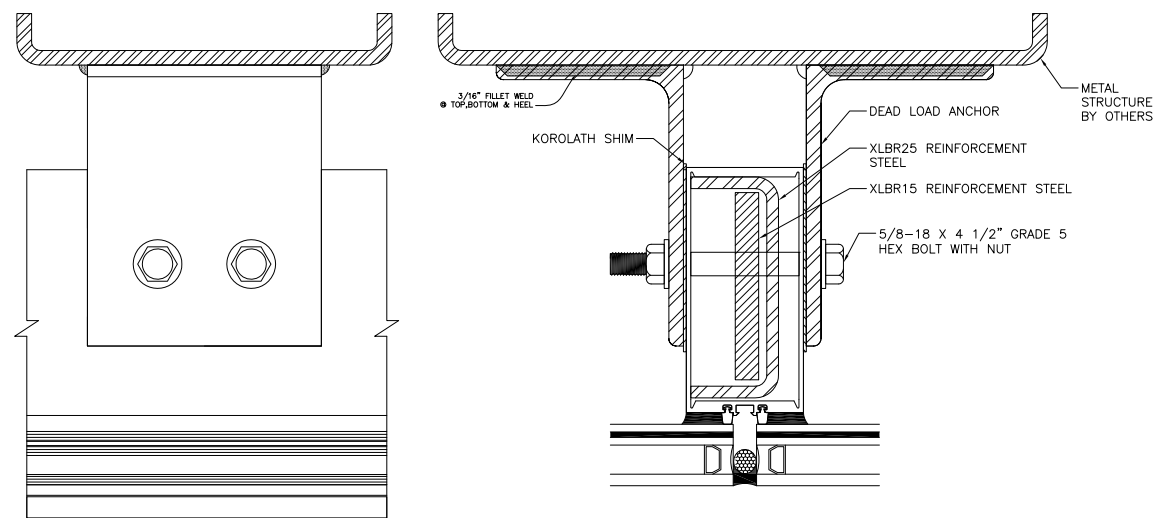
REVISIONS			
REV	DESCRIPTION	DATE	APPROVED



**CORNER DEAD LOAD ANCHORS  
AT MIDSPAN DETAIL**



**JAMB DEAD LOAD ANCHORS  
AT MIDSPAN DETAIL**



**MULLION DEAD LOAD ANCHORS  
AT MIDSPAN DETAIL**

SIGNED: 12/15/2016

**US ALUMINUM**  
DIVISION OF C.R. LAURENCE CO., INC.  
720 CEL-RIVER RD., ROCK HILL, SC 29730

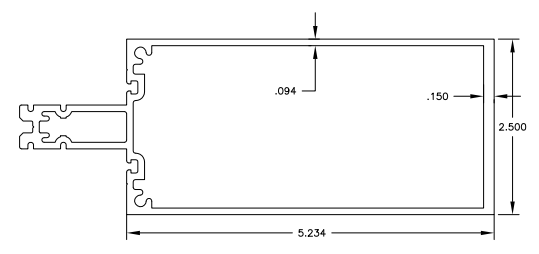
STORM WALL XL SSG HURRICANE RESISTANT  
CURTAIN WALL - WET GLAZED - LMI HVHZ  
INSTALLATION DETAILS

DRAWN: R.L.	DWG NO. 08-03023	REV -
SCALE NTS	DATE 12/07/16	SHEET 21 OF 24

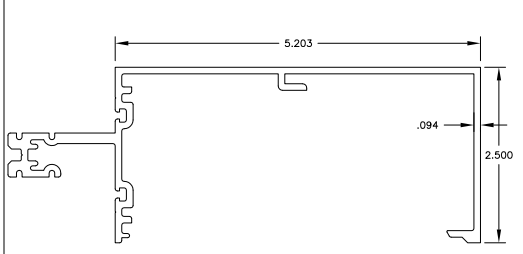
L. ROBERTO LOMAS P.E.  
1432 WOODFORD RD LEWISVILLE, NC 27023  
434-688-0609 rllomas@rlomaspe.com

Luis R. Lomas P.E.  
FL No.: 62514

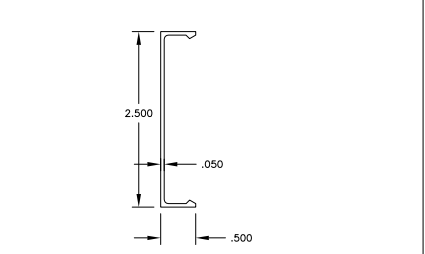
REVISIONS			
REV	DESCRIPTION	DATE	APPROVED



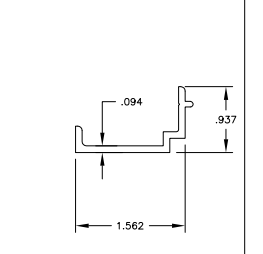
XL500-BP MULLION



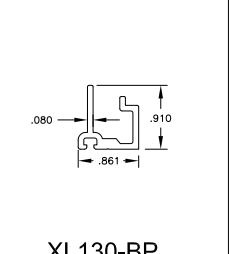
XL532-BP ROLL OVER HORIZONTAL



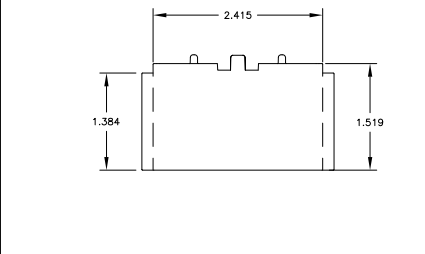
XL110-BP FACE CAP



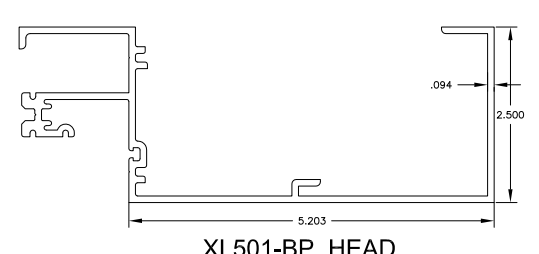
XL122-BP FILLER



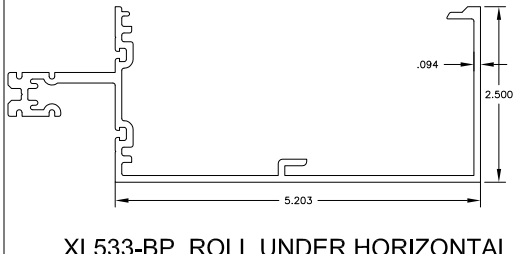
XL130-BP ADAPTOR



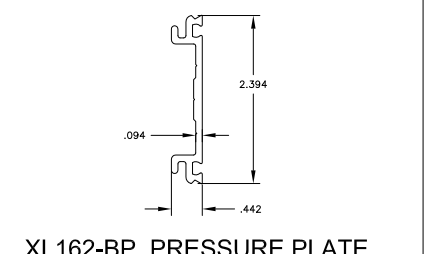
XLD350 SSG BRIDGE



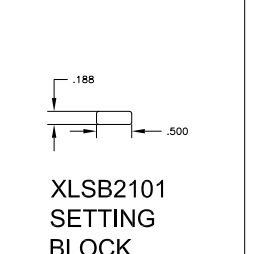
XL501-BP HEAD



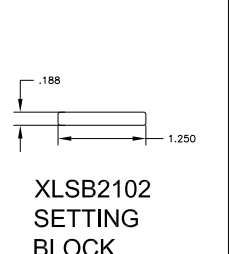
XL533-BP ROLL UNDER HORIZONTAL



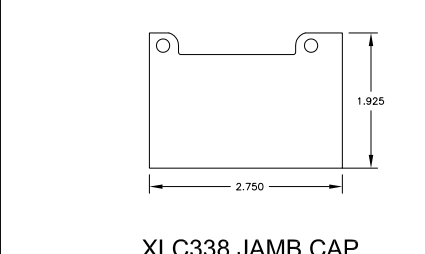
XL162-BP PRESSURE PLATE



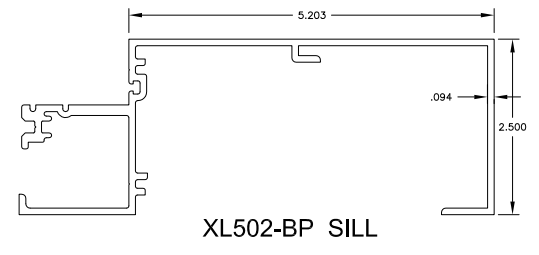
XLSB2101 SETTING BLOCK



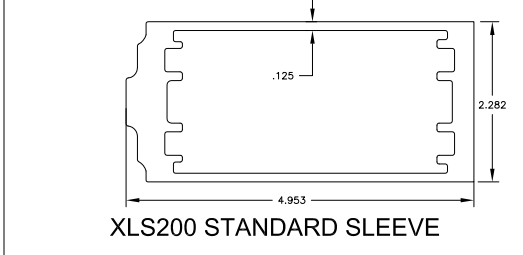
XLSB2102 SETTING BLOCK



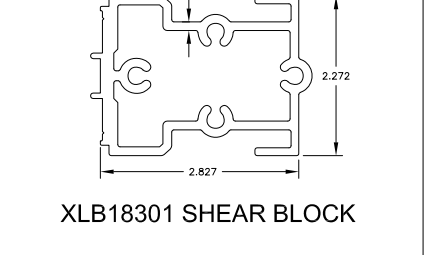
XLC338 JAMB CAP



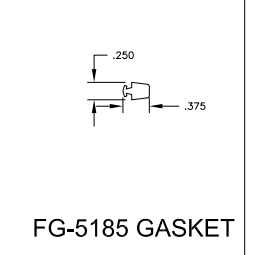
XL502-BP SILL



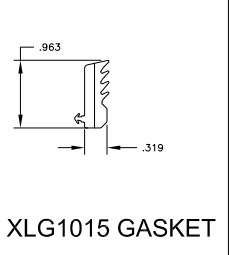
XLS200 STANDARD SLEEVE



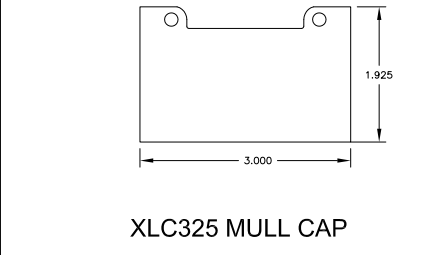
XLB18301 SHEAR BLOCK



FG-5185 GASKET



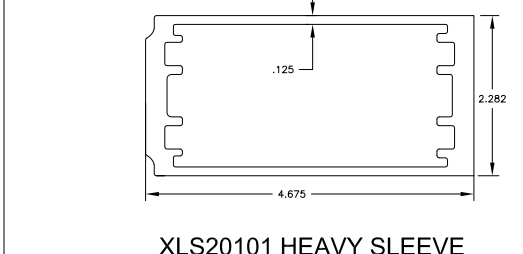
XLG1015 GASKET



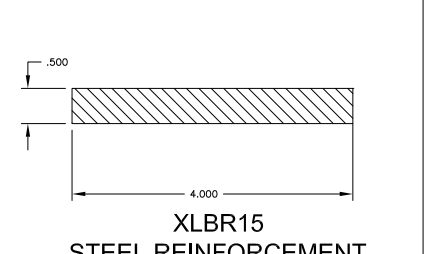
XLC325 MULL CAP



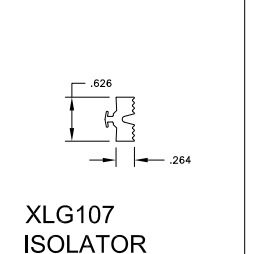
XL504-BP SSG MULLION



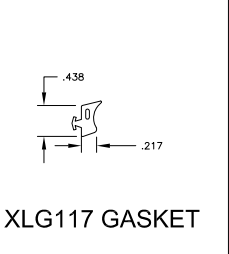
XLS20101 HEAVY SLEEVE



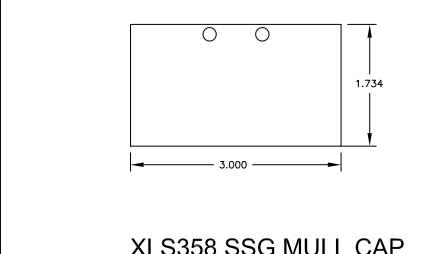
XLBR15 STEEL REINFORCEMENT



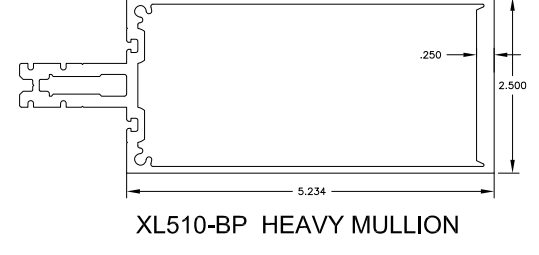
XLG107 ISOLATOR



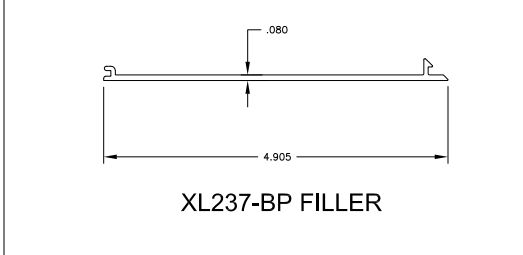
XLG117 GASKET



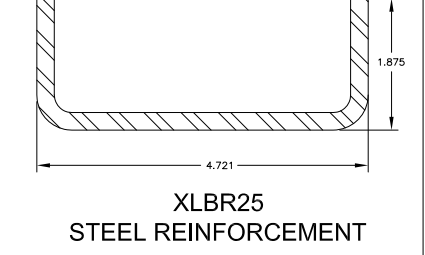
XLS358 SSG MULL CAP



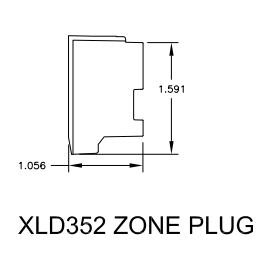
XL510-BP HEAVY MULLION



XL237-BP FILLER



XLBR25 STEEL REINFORCEMENT



XLD352 ZONE PLUG

SIGNED: 12/15/2016

**US ALUMINUM**  
 DIVISION OF C.R. LAURENCE CO., INC.  
 720 CEL-RIVER RD., ROCK HILL, SC 29730

STORM WALL XL SSG HURRICANE RESISTANT  
 CURTAIN WALL - WET GLAZED - LMI HVHZ  
 COMPONENTS

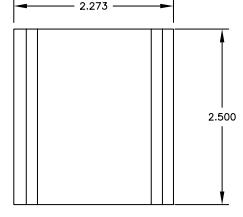
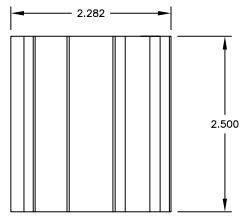
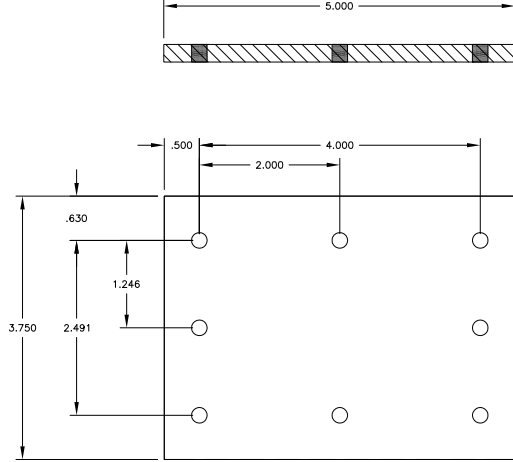
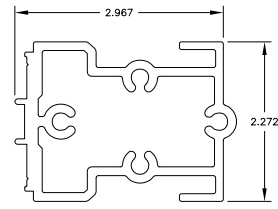
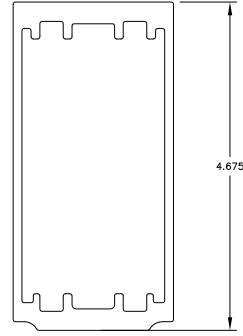
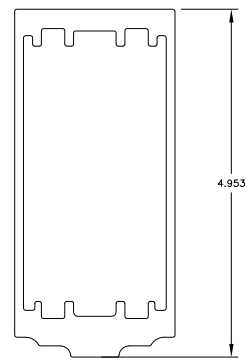
DRAWN: R.L.	DWG NO. 08-03023	REV -
SCALE NTS	DATE 12/07/16	SHEET 22 OF 24

L. ROBERTO LOMAS P.E.  
 1432 WOODFORD RD LEWISVILLE, NC 27023  
 434-688-0609 rllomas@rlomaspe.com

Luis R. Lomas  
 No. 62514  
 STATE OF FLORIDA  
 PROFESSIONAL ENGINEER

Luis R. Lomas P.E.  
 FL No.: 62514

REVISIONS			
REV	DESCRIPTION	DATE	APPROVED

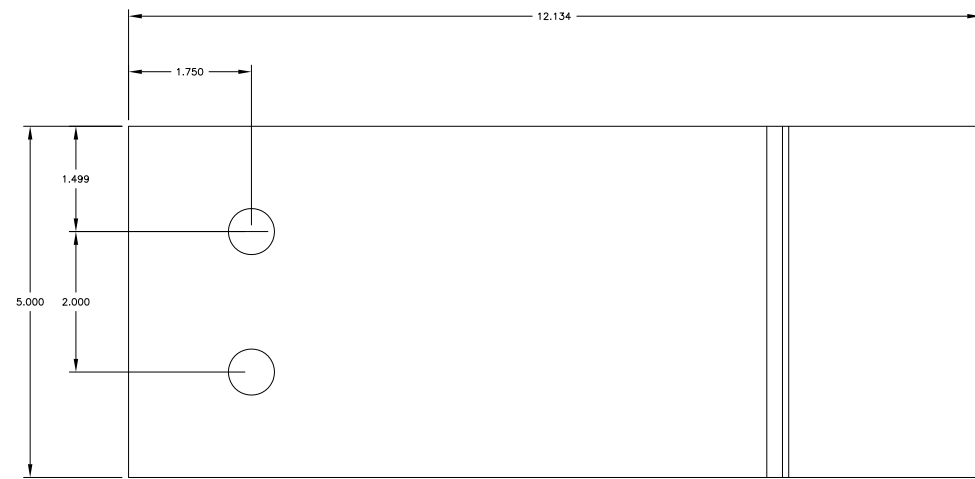
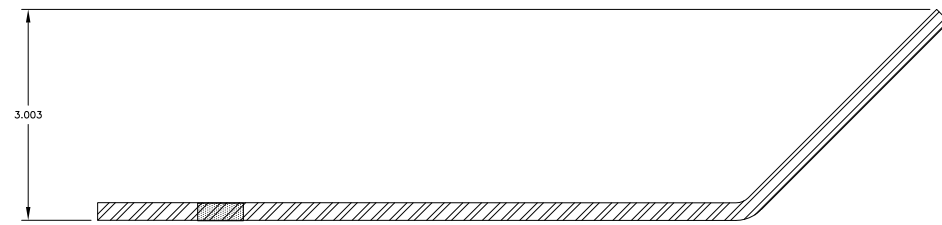


XLS20001  
STANDARD ANCHOR SLEEVE

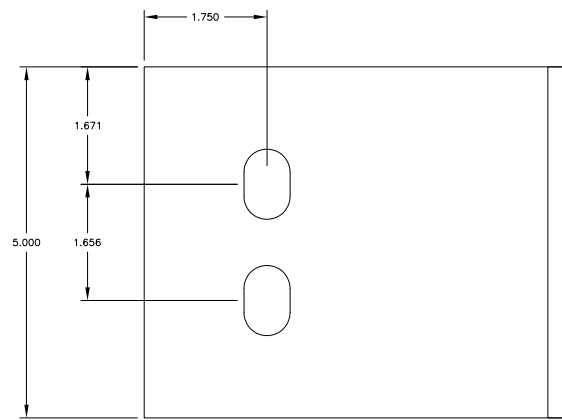
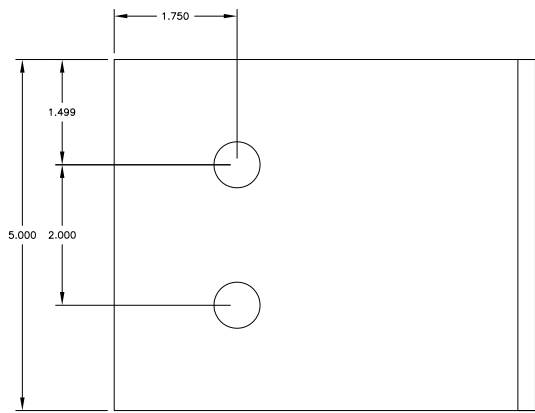
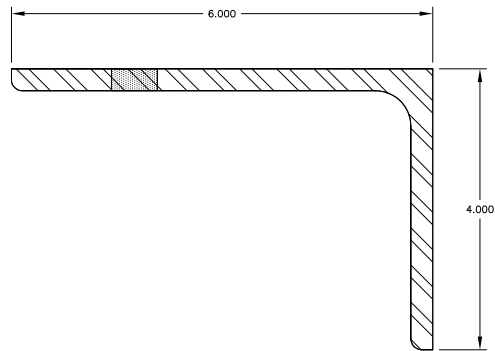
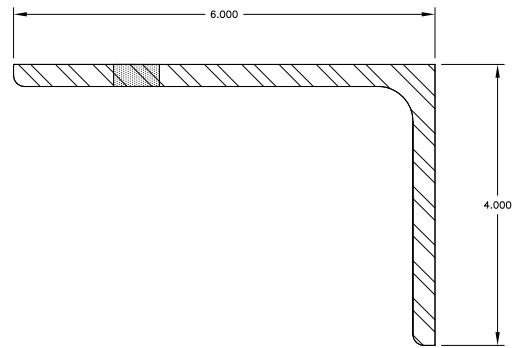
XLS20101 HEAVY  
ANCHOR SLEEVE

XLB18301  
SHEAR BLOCK

JAMB TAP PLATE  
1/4" STEEL



CORNER DEAD LOAD  
ANCHOR  
5/16" STEEL ANGLE



DEAD LOAD ANCHOR  
5/16" STEEL ANGLE

WIND LOAD ANCHOR  
5/16" STEEL ANGLE

US ALUMINUM

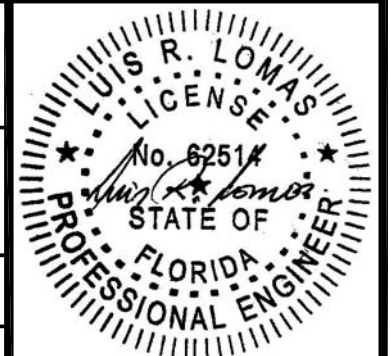
DIVISION OF C.R. LAURENCE CO., INC.  
720 CEL-RIVER RD., ROCK HILL, SC 29730

STORM WALL XL SSG HURRICANE RESISTANT  
CURTAIN WALL - WET GLAZED - LMI HVHZ  
COMPONENTS

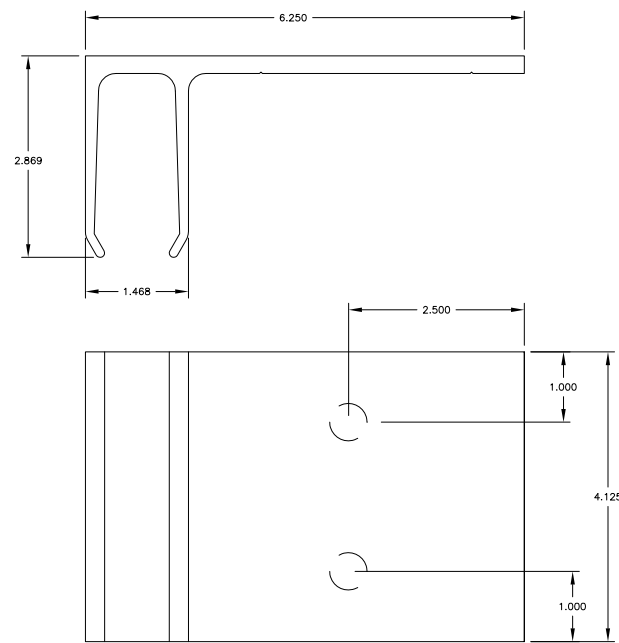
DRAWN: R.L.	DWG NO. 08-03023	REV -
SCALE NTS	DATE 12/07/16	SHEET 23 OF 24

L. ROBERTO LOMAS P.E.  
1432 WOODFORD RD LEWISVILLE, NC 27023  
434-688-0609 rllomas@rlomaspe.com

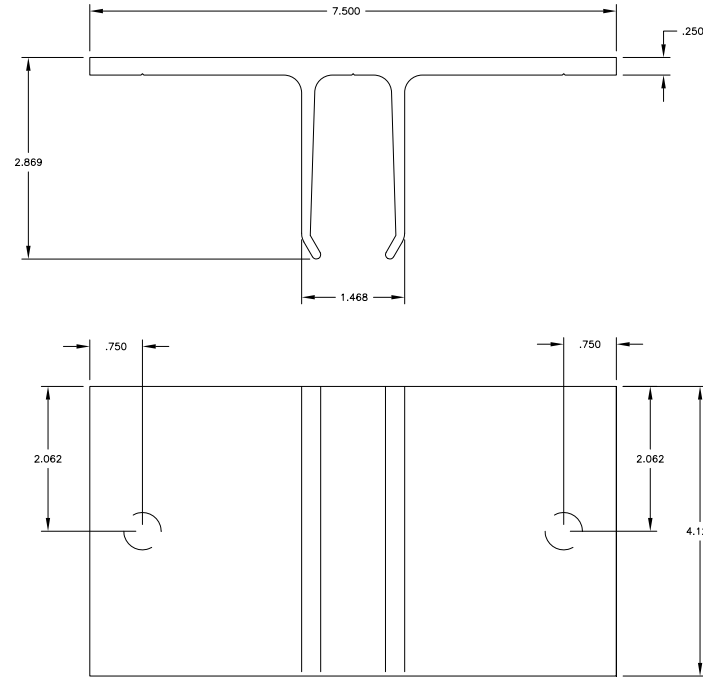
SIGNED: 12/15/2016



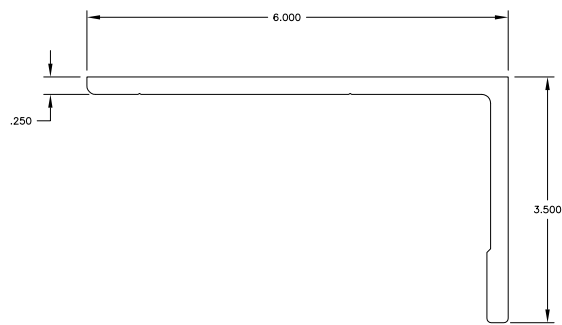
Luis R. Lomas P.E.  
FL No.: 62514



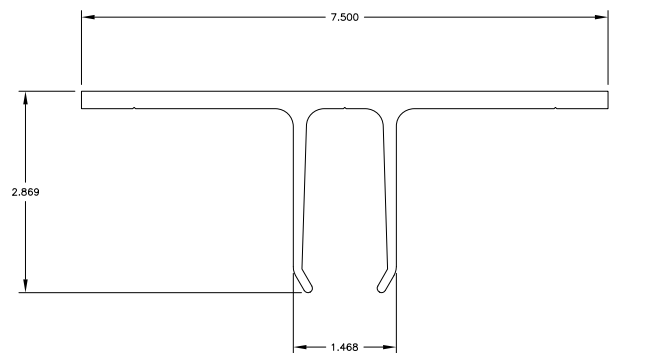
XLA10301 "F" ANCHOR CLIP  
6063-T6 ALUMINUM



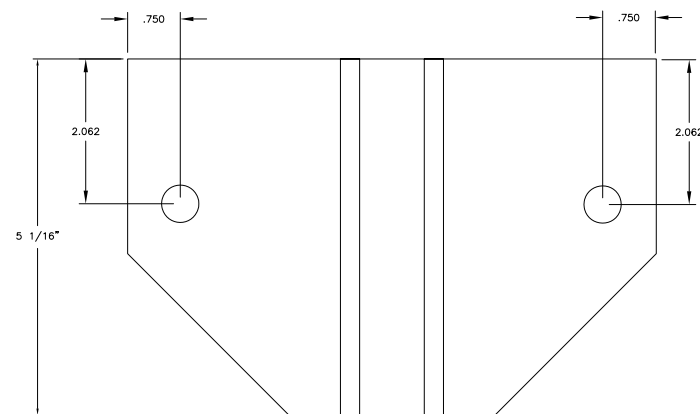
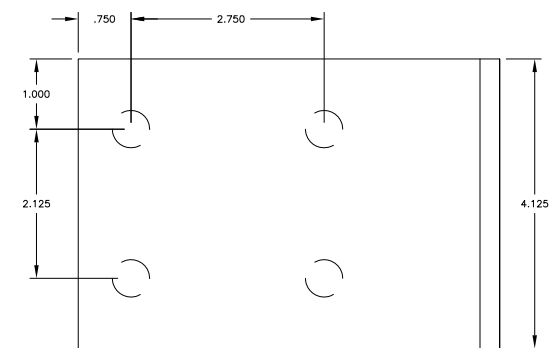
XLA10501 "T" ANCHOR CLIP  
6063-T6 ALUMINUM



XLA17401 "L" ANCHOR CLIP  
6063-T6 ALUMINUM



XLA10503 CORNER "T" ANCHOR CLIP  
6063-T6 ALUMINUM



REVISIONS			
REV	DESCRIPTION	DATE	APPROVED

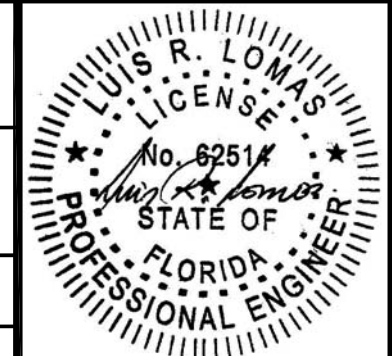
**US ALUMINUM**  
DIVISION OF C.R. LAURENCE CO., INC.  
720 CEL-RIVER RD., ROCK HILL, SC 29730

STORM WALL XL SSG HURRICANE RESISTANT  
CURTAIN WALL – WET GLAZED – LMI HVHZ  
COMPONENTS

DRAWN: R.L.	DWG NO. 08-03023	REV -
SCALE NTS	DATE 12/07/16	SHEET 24 OF 24

L. ROBERTO LOMAS P.E.  
1432 WOODFORD RD LEWISVILLE, NC 27023  
434-688-0609 rllomas@rlomaspe.com

SIGNED: 12/15/2016



Luis R. Lomas P.E.  
FL No.: 62514