

| REVISIONS |             |      |          |
|-----------|-------------|------|----------|
| REV       | DESCRIPTION | DATE | APPROVED |

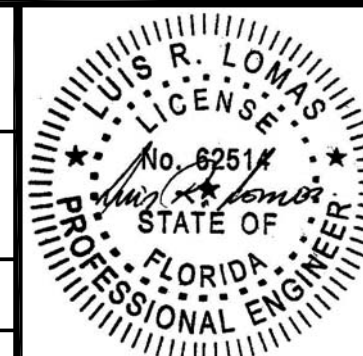
NOTES:

1. THE PRODUCT SHOWN HEREIN IS DESIGNED AND MANUFACTURED TO COMPLY WITH REQUIREMENTS OF THE FLORIDA BUILDING CODE INCLUDING THE HVHZ.
2. WOOD FRAMING AND MASONRY OPENING TO BE DESIGNED AND ANCHORED TO PROPERLY TRANSFER ALL LOADS TO STRUCTURE. FRAMING AND MASONRY OPENING IS THE RESPONSIBILITY OF THE ARCHITECT OR ENGINEER OF RECORD.
3. SHIM AS REQUIRED AT EACH ANCHOR LOCATION WITH LOAD BEARING SHIM. SHIM WHERE SPACE OF 1/16" OR GREATER OCCURS. MAXIMUM ALLOWABLE SHIM STACK TO BE 1/2".
4. SHIMS SHALL BE LOCATED, APPLIED AND MADE FROM MATERIALS AND THICKNESS CAPABLE OF SUSTAINING APPLICABLE LOADS.
5. WIND LOAD DURATION FACTOR Cd=1.6 WAS USED FOR WOOD ANCHOR CALCULATIONS.
6. FRAME MATERIAL: EXTRUDED ALUMINUM 6063-T6.
7. UNITS MUST BE GLAZED PER ASTM E1300-04/09, SEE SHEETS 9 &10 FOR GLASS DETAILS.
8. APPROVED IMPACT PROTECTIVE SYSTEM IS NOT REQUIRED FOR THIS PRODUCT IN WIND BORNE DEBRIS REGIONS.
9. FOR ANCHORING INTO WOOD FRAMING OR 2X BUCK USE 1/2" LAG SCREWS WITH SUFFICIENT LENGTH TO ACHIEVE A 2" MINIMUM EMBEDMENT INTO SUBSTRATE. LOCATE ANCHORS AS SHOWN IN ELEVATIONS AND INSTALLATION DETAILS.
10. FOR ANCHORING INTO GROUT FILLED MASONRY OR CONCRETE USE 1/2" WEDGE BOLTS WITH SUFFICIENT LENGTH TO ACHIEVE A 3 1/2" MINIMUM EMBEDMENT INTO SUBSTRATE WITH 6" MINIMUM EDGE DISTANCE. LOCATE ANCHORS AS SHOWN IN ELEVATIONS AND INSTALLATION DETAILS.
11. FOR ANCHORING INTO METAL STRUCTURE USE 1/2"-13 SMS WITH LOCKWASHER AND NUT. LOCATE ANCHORS AS SHOWN IN ELEVATIONS AND INSTALLATION DETAILS.
12. ALL FASTENERS TO BE CORROSION RESISTANT.
13. INSTALLATION ANCHORS SHALL BE INSTALLED IN ACCORDANCE WITH ANCHOR MANUFACTURER'S INSTALLATION INSTRUCTIONS AND ANCHORS SHALL NOT BE USED IN SUBSTRATES WITH STRENGTHS LESS THAN THE MINIMUM STRENGTH SPECIFIED BELOW:
  - A. WOOD: MINIMUM SPECIFIC GRAVITY OF G=0.42
  - B. CONCRETE: MINIMUM COMPRESSIVE STRENGTH OF 2,000 PSI.
  - C. MASONRY: GROUT FILLED BLOCK PER ASTM C90 WITH Fm=2,000PSI MINIMUM.
  - D. METAL STRUCTURE: STEEL 1/4" THICK MINIMUM FY=33KSI/FU=52KSI

SIGNED: 10/27/2017

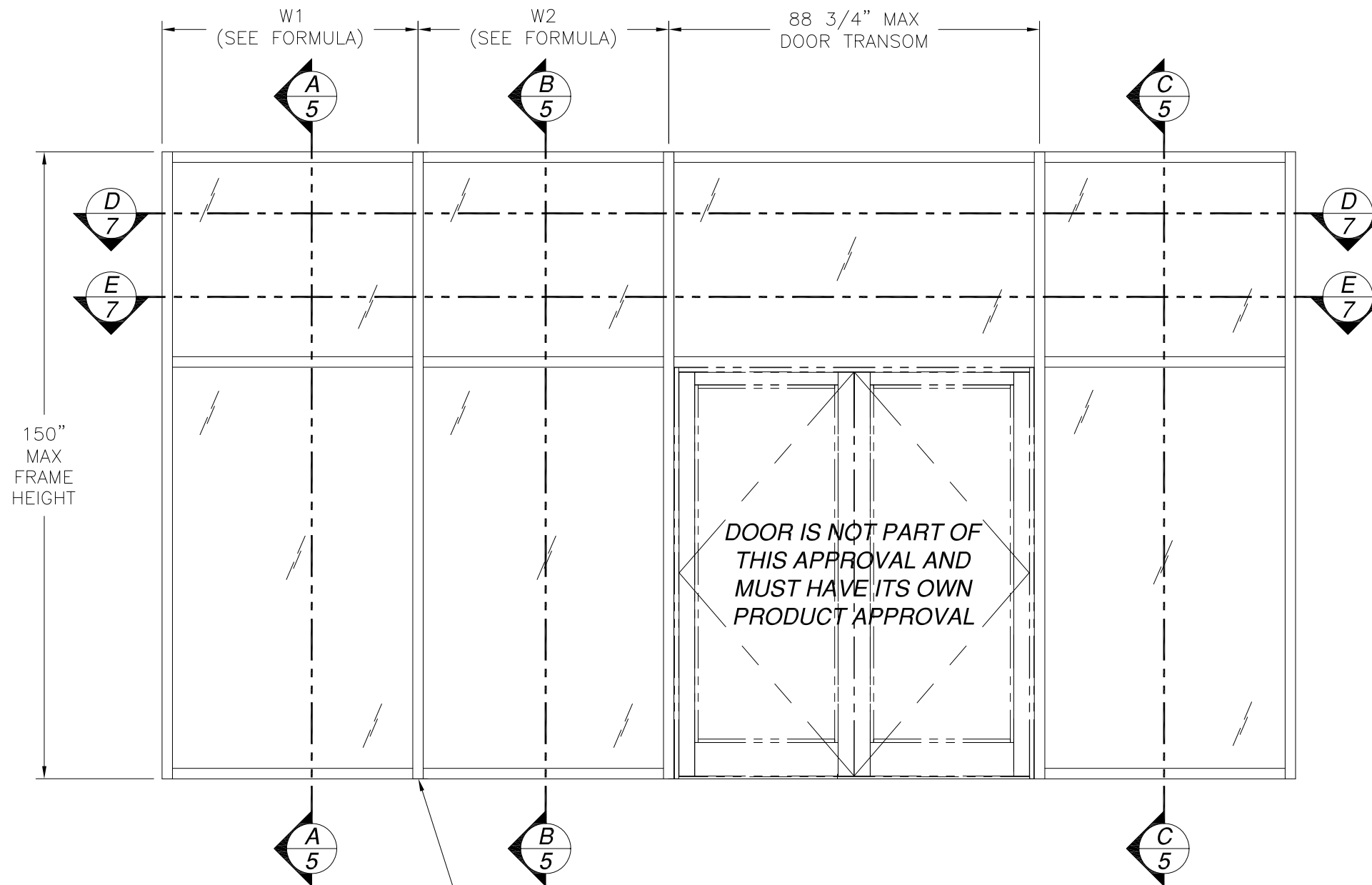
| TABLE OF CONTENTS |                              |
|-------------------|------------------------------|
| SHEET NO.         | DESCRIPTION                  |
| 1                 | NOTES                        |
| 2 - 4             | ELEVATIONS AND RATING CHARTS |
| 5 - 8             | CROSS SECTIONS               |
| 9 - 10            | GLAZING DETAILS              |
| 11 - 22           | INSTALLATION DETAILS         |
| 23 - 25           | COMPONENTS                   |

|   |                     |               |
|---|---------------------|---------------|
| <b>US ALUMINUM</b><br>DIVISION OF C.R. LAURENCE CO., INC.<br>2503 E. VERNON AVE., LOS ANGELES, CA 90058 |                     |               |
| STORM WALL XL HURRICANE RESISTANT<br>CURTAIN WALL - WET GLAZED - LMI HVHZ<br>NOTES                      |                     |               |
| DRAWN:<br>R.L.  | DWG NO.<br>08-03020 | REV<br>-      |
| SCALE NTS   | DATE 12/07/16       | SHEET 1 OF 25 |
| L. ROBERTO LOMAS P.E.<br>1432 WOODFORD RD LEWISVILLE, NC 27023<br>434-688-0609 rllomas@rlomaspe.com     |                     |               |



Luis R. Lomas P.E.  
FL No.: 62514

| REVISIONS |             |      |          |
|-----------|-------------|------|----------|
| REV       | DESCRIPTION | DATE | APPROVED |
|           |             |      |          |



- PROCEDURE TO DETERMINE RATING:**
1. DETERMINE TRIBUTARY WIDTH PER FORMULA BELOW
  2. SELECT JAMB AND MULLION PROFILES TO BE USED FROM SHEET 7.
  3. REFER TO CHARTS IN SHEET 4 TO DETERMINE RATINGS FOR JAMB AND MULLION SELECTED IN STEP 2.
  4. DETERMINE THE TYPE OF ANCHOR CLIP AND SUBSTRATE WHERE PRODUCT IS TO BE INSTALLED. SEE SHEETS 11 - 18
  5. REFER TO CHARTS IN SHEET 19 AND 20 TO DETERMINE RATING OF ANCHORING SELECTED IN STEP 4.
  6. SELECT GLASS TO BE USED, REFER TO SHEETS 9 AND 10
  7. REFER TO CHART #5 IN SHEET 9 TO DETERMINE RATING OF GLASS SELECTED IN STEP 6.
  8. THE MINIMUM OF ALL RATINGS WILL DETERMINE THE RATING OF THE TOTAL PRODUCT.

$$\text{TRIBUTARY WIDTH} = \frac{W1 + W2}{2}$$

DOOR IS NOT PART OF THIS APPROVAL AND MUST HAVE ITS OWN PRODUCT APPROVAL

FOR ANCHORING  
SEE DETAILS  
IN SHEETS 11-18  
TYP

**STORM WALL XL HURRICANE RESISTANT CURTAIN WALL**  
**SINGLE SPAN**  
EXTERIOR VIEW  
UNLIMITED NUMBER OF PANELS IS ALLOWED AS LONG AS INDIVIDUAL PANELS  
AREA DO NOT EXCEED 52.25 FT<sup>2</sup>  
AND USE VERTICAL CONDITIONS AS SHOWN

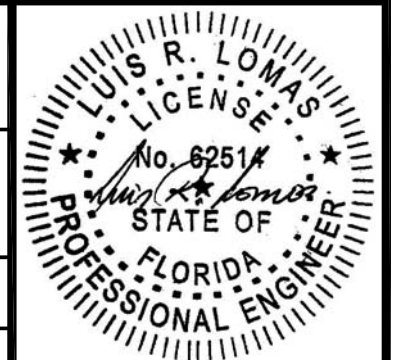
SIGNED: 10/27/2017

**US ALUMINUM**  
DIVISION OF C.R. LAURENCE CO., INC.  
2503 E. VERNON AVE., LOS ANGELES, CA 90058

STORM WALL XL HURRICANE RESISTANT  
CURTAIN WALL - WET GLAZED - LMI HVHZ  
SINGLE SPAN ELEVATION

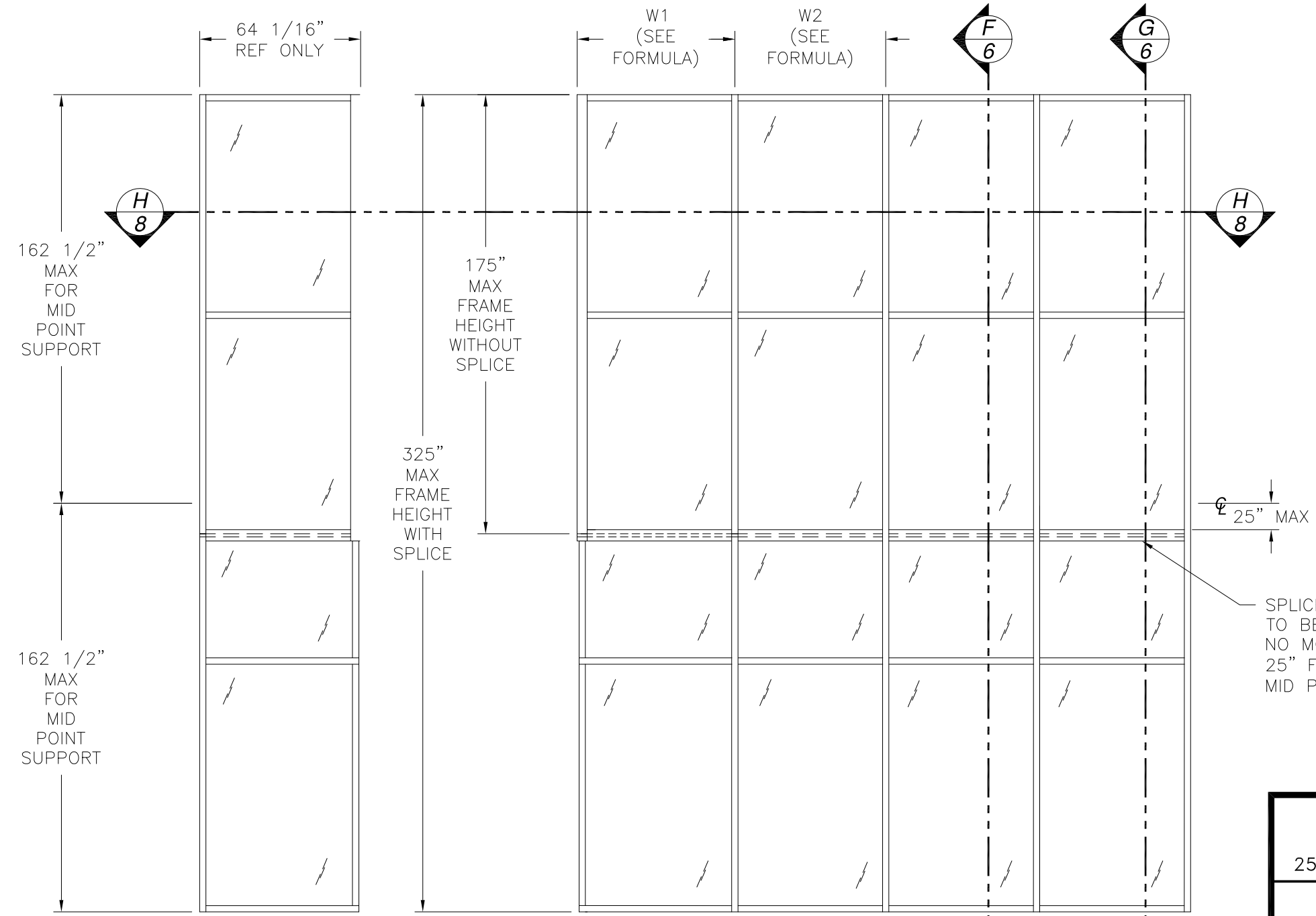
|                |                     |               |
|----------------|---------------------|---------------|
| DRAWN:<br>R.L. | DWG NO.<br>08-03020 | REV<br>-      |
| SCALE NTS      | DATE 12/07/16       | SHEET 2 OF 25 |

L. ROBERTO LOMAS P.E.  
1432 WOODFORD RD LEWISVILLE, NC 27023  
434-688-0609 rllomas@rlomaspe.com



Luis R. Lomas P.E.  
FL No.: 62514

| REVISIONS |             |      |          |
|-----------|-------------|------|----------|
| REV       | DESCRIPTION | DATE | APPROVED |
|           |             |      |          |



- PROCEDURE TO DETERMINE RATING:**
1. DETERMINE TRIBUTARY WIDTH PER FORMULA BELOW
  2. SELECT JAMB AND MULLION PROFILES TO BE USED FROM SHEET 7.
  3. REFER TO CHARTS IN SHEET 4 TO DETERMINE RATINGS FOR JAMB AND MULLION SELECTED IN STEP 2.
  4. DETERMINE THE TYPE OF ANCHOR CLIP AND SUBSTRATE WHERE PRODUCT IS TO BE INSTALLED. SEE SHEETS 11 - 18
  5. REFER TO CHARTS IN SHEET 19 AND 20 TO DETERMINE RATING OF ANCHORING SELECTED IN STEP 4.
  6. SELECT GLASS TO BE USED, REFER TO SHEETS 9 AND 10
  7. REFER TO CHART #5 IN SHEET 9 TO DETERMINE RATING OF GLASS SELECTED IN STEP 6.
  8. THE MINIMUM OF ALL RATINGS WILL DETERMINE THE RATING OF THE TOTAL PRODUCT.

$$\text{TRIBUTARY WIDTH} = \frac{W1 + W2}{2}$$

⊕ 25" MAX

SPLICE TO BE LOCATED NO MORE THAN 25" FROM MID POINT

**STORM WALL XL TWIN SPAN**  
 EXTERIOR VIEW  
 UNLIMITED NUMBER OF PANELS IS ALLOWED AS LONG AS INDIVIDUAL PANELS  
 AREA DO NOT EXCEED 52.25 FT<sup>2</sup>  
 AND USE VERTICAL CONDITIONS AS SHOWN

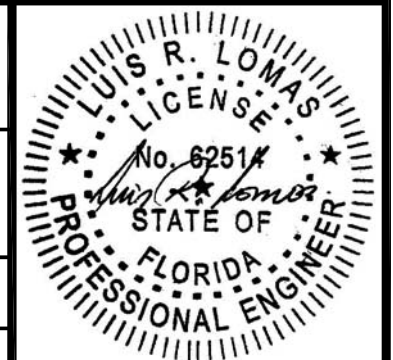
**US ALUMINUM**  
 DIVISION OF C.R. LAURENCE CO., INC.  
 2503 E. VERNON AVE., LOS ANGELES, CA 90058

STORM WALL XL HURRICANE RESISTANT  
 CURTAIN WALL – WET GLAZED – LMI HVHZ  
 TWIN SPAN ELEVATION

|                |                     |                  |
|----------------|---------------------|------------------|
| DRAWN:<br>R.L. | DWG NO.<br>08-03020 | REV<br>-         |
| SCALE<br>NTS   | DATE<br>12/07/16    | SHEET<br>3 OF 25 |

L. ROBERTO LOMAS P.E.  
 1432 WOODFORD RD LEWISVILLE, NC 27023  
 434-688-0609 rllomas@rlomaspe.com

SIGNED: 10/27/2017



Luis R. Lomas P.E.  
 FL No.: 62514

REVISIONS

| REV | DESCRIPTION | DATE | APPROVED |
|-----|-------------|------|----------|
|     |             |      |          |

**Chart #1**  
 Design pressure for Mullion "A", "B" and "C" (psf)  
 Design pressure for Jamb "B" and "C" (psf)

| Frame Height (in) | Design pressures are positive and negative |       |       |       |       |       |       |       |       |
|-------------------|--|-------|-------|-------|-------|-------|-------|-------|-------|
|                   | Tributary Width (in)                       |       |       |       |       |       |       |       |       |
|                   | 24.0                                       | 30.0  | 36.0  | 42.0  | 48.0  | 54.0  | 60.0  | 66.0  | 72.0  |
| 60.0              | 100.0                                      | 100.0 | 100.0 | 100.0 | 100.0 | 100.0 | 100.0 | 100.0 | 100.0 |
| 66.0              | 100.0                                      | 100.0 | 100.0 | 100.0 | 100.0 | 100.0 | 100.0 | 100.0 | 100.0 |
| 72.0              | 100.0                                      | 100.0 | 100.0 | 100.0 | 100.0 | 100.0 | 100.0 | 100.0 | 100.0 |
| 78.0              | 100.0                                      | 100.0 | 100.0 | 100.0 | 100.0 | 100.0 | 100.0 | 100.0 | 100.0 |
| 84.0              | 100.0                                      | 100.0 | 100.0 | 100.0 | 100.0 | 100.0 | 100.0 | 100.0 | 100.0 |
| 90.0              | 100.0                                      | 100.0 | 100.0 | 100.0 | 100.0 | 100.0 | 100.0 | 100.0 | 100.0 |
| 96.0              | 100.0                                      | 100.0 | 100.0 | 100.0 | 100.0 | 100.0 | 100.0 | 100.0 | 100.0 |
| 102.0             | 100.0                                      | 100.0 | 100.0 | 100.0 | 100.0 | 100.0 | 100.0 | 100.0 | 100.0 |
| 108.0             | 100.0                                      | 100.0 | 100.0 | 100.0 | 100.0 | 100.0 | 100.0 | 100.0 | 100.0 |
| 114.0             | 100.0                                      | 100.0 | 100.0 | 100.0 | 100.0 | 100.0 | 100.0 | 100.0 | 100.0 |
| 120.0             | 100.0                                      | 100.0 | 100.0 | 100.0 | 100.0 | 100.0 | 100.0 | 100.0 | 100.0 |
| 126.0             | 100.0                                      | 100.0 | 100.0 | 100.0 | 100.0 | 100.0 | 100.0 | 100.0 | 99.2  |
| 132.0             | 100.0                                      | 100.0 | 100.0 | 100.0 | 100.0 | 100.0 | 100.0 | 100.0 | 94.7  |
| 138.0             | 100.0                                      | 100.0 | 100.0 | 100.0 | 100.0 | 100.0 | 100.0 | 98.8  | 90.6  |
| 144.0             | 100.0                                      | 100.0 | 100.0 | 100.0 | 100.0 | 100.0 | 100.0 | 94.7  | 86.8  |
| 150.0             | 100.0                                      | 100.0 | 100.0 | 100.0 | 100.0 | 100.0 | 100.0 | 90.9  | 83.3  |

LARGE MISSILE IMPACT AND HVHZ

**Chart #2**  
 Design pressure for Mullion "D" (psf)  
 Design pressure for Jamb "A" (psf)

| Frame Height (in) | Design pressures are positive and negative |      |      |      |      |      |      |      |      |
|-------------------|--|------|------|------|------|------|------|------|------|
|                   | Tributary Width (in)                       |      |      |      |      |      |      |      |      |
|                   | 24.0                                       | 30.0 | 36.0 | 42.0 | 48.0 | 54.0 | 60.0 | 66.0 | 72.0 |
| 60.0              | 65.0                                       | 65.0 | 65.0 | 65.0 | 65.0 | 65.0 | 65.0 | 65.0 | 65.0 |
| 66.0              | 65.0                                       | 65.0 | 65.0 | 65.0 | 65.0 | 65.0 | 65.0 | 65.0 | 65.0 |
| 72.0              | 65.0                                       | 65.0 | 65.0 | 65.0 | 65.0 | 65.0 | 65.0 | 65.0 | 60.2 |
| 78.0              | 65.0                                       | 65.0 | 65.0 | 65.0 | 65.0 | 65.0 | 65.0 | 60.6 | 55.6 |
| 84.0              | 65.0                                       | 65.0 | 65.0 | 65.0 | 65.0 | 65.0 | 61.9 | 56.3 | 51.6 |
| 90.0              | 65.0                                       | 65.0 | 65.0 | 65.0 | 65.0 | 64.2 | 57.8 | 52.5 | 48.2 |
| 96.0              | 65.0                                       | 65.0 | 65.0 | 65.0 | 65.0 | 60.2 | 54.2 | 49.3 | 45.1 |
| 102.0             | 65.0                                       | 65.0 | 65.0 | 65.0 | 63.7 | 56.7 | 51.0 | 46.4 | 42.5 |
| 108.0             | 65.0                                       | 65.0 | 65.0 | 65.0 | 57.4 | 51.1 | 46.0 | 41.8 | 38.3 |
| 114.0             | 65.0                                       | 65.0 | 65.0 | 55.8 | 48.8 | 43.4 | 39.1 | 35.5 | 32.6 |
| 120.0             | 65.0                                       | 65.0 | 55.8 | 47.9 | 41.9 | 37.2 | 33.5 | 30.5 | 27.9 |

LARGE MISSILE IMPACT AND HVHZ

**Chart #3**  
 Design pressure for Mullion "A", "B" and "G" (psf)  
 Design pressure for Jamb "C" and Corner (psf)

| Frame Height (in) | Design pressures are positive and negative |       |       |       |       |       |       |       |       |
|-------------------|--|-------|-------|-------|-------|-------|-------|-------|-------|
|                   | Tributary Width (in)                       |       |       |       |       |       |       |       |       |
|                   | 24.0                                       | 30.0  | 36.0  | 42.0  | 48.0  | 54.0  | 60.0  | 66.0  | 72.0  |
| 60.0              | 100.0                                      | 100.0 | 100.0 | 100.0 | 100.0 | 100.0 | 100.0 | 100.0 | 100.0 |
| 66.0              | 100.0                                      | 100.0 | 100.0 | 100.0 | 100.0 | 100.0 | 100.0 | 100.0 | 100.0 |
| 72.0              | 100.0                                      | 100.0 | 100.0 | 100.0 | 100.0 | 100.0 | 100.0 | 100.0 | 100.0 |
| 78.0              | 100.0                                      | 100.0 | 100.0 | 100.0 | 100.0 | 100.0 | 100.0 | 100.0 | 100.0 |
| 84.0              | 100.0                                      | 100.0 | 100.0 | 100.0 | 100.0 | 100.0 | 100.0 | 100.0 | 100.0 |
| 90.0              | 100.0                                      | 100.0 | 100.0 | 100.0 | 100.0 | 100.0 | 100.0 | 100.0 | 100.0 |
| 96.0              | 100.0                                      | 100.0 | 100.0 | 100.0 | 100.0 | 100.0 | 100.0 | 100.0 | 100.0 |
| 102.0             | 100.0                                      | 100.0 | 100.0 | 100.0 | 100.0 | 100.0 | 100.0 | 100.0 | 100.0 |
| 108.0             | 100.0                                      | 100.0 | 100.0 | 100.0 | 100.0 | 100.0 | 100.0 | 100.0 | 100.0 |
| 114.0             | 100.0                                      | 100.0 | 100.0 | 100.0 | 100.0 | 100.0 | 100.0 | 100.0 | 100.0 |
| 120.0             | 100.0                                      | 100.0 | 100.0 | 100.0 | 100.0 | 100.0 | 100.0 | 100.0 | 100.0 |
| 126.0             | 100.0                                      | 100.0 | 100.0 | 100.0 | 100.0 | 100.0 | 100.0 | 100.0 | 100.0 |
| 132.0             | 100.0                                      | 100.0 | 100.0 | 100.0 | 100.0 | 100.0 | 100.0 | 100.0 | 100.0 |
| 138.0             | 100.0                                      | 100.0 | 100.0 | 100.0 | 100.0 | 100.0 | 100.0 | 100.0 | 100.0 |
| 144.0             | 100.0                                      | 100.0 | 100.0 | 100.0 | 100.0 | 100.0 | 100.0 | 100.0 | 100.0 |
| 150.0             | 100.0                                      | 100.0 | 100.0 | 100.0 | 100.0 | 100.0 | 100.0 | 100.0 | 97.2  |
| 156.0             | 100.0                                      | 100.0 | 100.0 | 100.0 | 100.0 | 100.0 | 100.0 | 100.0 | 93.5  |
| 162.0             | 100.0                                      | 100.0 | 100.0 | 100.0 | 100.0 | 100.0 | 100.0 | 98.2  | 90.0  |
| 168.0             | 100.0                                      | 100.0 | 100.0 | 100.0 | 100.0 | 100.0 | 100.0 | 94.7  | 86.8  |
| 174.0             | 100.0                                      | 100.0 | 100.0 | 100.0 | 100.0 | 100.0 | 100.0 | 91.4  | 83.8  |
| 175.0             | 100.0                                      | 100.0 | 100.0 | 100.0 | 100.0 | 100.0 | 100.0 | 90.9  | 83.3  |

LARGE MISSILE IMPACT AND HVHZ  
 FULL LENGTH WITHOUT SPLICE

**Chart #4**  
 Design pressure for Mullion "A", "B" and "G" with splice (psf)  
 Design pressure for Jamb "C" and Corner with splice (psf)

| Frame Height (in) | Design pressures are positive and negative |       |       |       |       |       |       |       |       |
|-------------------|--|-------|-------|-------|-------|-------|-------|-------|-------|
|                   | Tributary Width (in)                       |       |       |       |       |       |       |       |       |
|                   | 24.0                                       | 30.0  | 36.0  | 42.0  | 48.0  | 54.0  | 60.0  | 66.0  | 72.0  |
| 210.0             | 100.0                                      | 100.0 | 100.0 | 100.0 | 100.0 | 100.0 | 100.0 | 100.0 | 100.0 |
| 216.0             | 100.0                                      | 100.0 | 100.0 | 100.0 | 100.0 | 100.0 | 100.0 | 100.0 | 100.0 |
| 222.0             | 100.0                                      | 100.0 | 100.0 | 100.0 | 100.0 | 100.0 | 100.0 | 100.0 | 100.0 |
| 228.0             | 100.0                                      | 100.0 | 100.0 | 100.0 | 100.0 | 100.0 | 100.0 | 100.0 | 100.0 |
| 234.0             | 100.0                                      | 100.0 | 100.0 | 100.0 | 100.0 | 100.0 | 100.0 | 100.0 | 100.0 |
| 240.0             | 100.0                                      | 100.0 | 100.0 | 100.0 | 100.0 | 100.0 | 100.0 | 100.0 | 100.0 |
| 246.0             | 100.0                                      | 100.0 | 100.0 | 100.0 | 100.0 | 100.0 | 100.0 | 100.0 | 100.0 |
| 252.0             | 100.0                                      | 100.0 | 100.0 | 100.0 | 100.0 | 100.0 | 100.0 | 100.0 | 100.0 |
| 258.0             | 100.0                                      | 100.0 | 100.0 | 100.0 | 100.0 | 100.0 | 100.0 | 100.0 | 100.0 |
| 264.0             | 100.0                                      | 100.0 | 100.0 | 100.0 | 100.0 | 100.0 | 100.0 | 100.0 | 100.0 |
| 270.0             | 100.0                                      | 100.0 | 100.0 | 100.0 | 100.0 | 100.0 | 100.0 | 100.0 | 100.0 |
| 276.0             | 100.0                                      | 100.0 | 100.0 | 100.0 | 100.0 | 100.0 | 100.0 | 100.0 | 98.1  |
| 282.0             | 100.0                                      | 100.0 | 100.0 | 100.0 | 100.0 | 100.0 | 100.0 | 100.0 | 96.0  |
| 288.0             | 100.0                                      | 100.0 | 100.0 | 100.0 | 100.0 | 100.0 | 100.0 | 100.0 | 94.0  |
| 294.0             | 100.0                                      | 100.0 | 100.0 | 100.0 | 100.0 | 100.0 | 100.0 | 100.0 | 92.1  |
| 300.0             | 100.0                                      | 100.0 | 100.0 | 100.0 | 100.0 | 100.0 | 100.0 | 98.5  | 90.3  |
| 306.0             | 100.0                                      | 100.0 | 100.0 | 100.0 | 100.0 | 100.0 | 100.0 | 96.6  | 88.5  |
| 312.0             | 100.0                                      | 100.0 | 100.0 | 100.0 | 100.0 | 100.0 | 100.0 | 94.7  | 86.8  |
| 318.0             | 100.0                                      | 100.0 | 100.0 | 100.0 | 100.0 | 100.0 | 100.0 | 92.9  | 85.2  |
| 324.0             | 100.0                                      | 100.0 | 100.0 | 100.0 | 100.0 | 100.0 | 100.0 | 91.2  | 83.6  |
| 325.0             | 100.0                                      | 100.0 | 100.0 | 100.0 | 100.0 | 100.0 | 100.0 | 90.9  | 83.3  |

LARGE MISSILE IMPACT AND HVHZ  
 FULL LENGTH WITH SUPPORT AT MIDDLE POINT AND SPLICE  
 DISTANCE BETWEEN SPLICE AND MID POINT MUST NOT EXCEED 25"

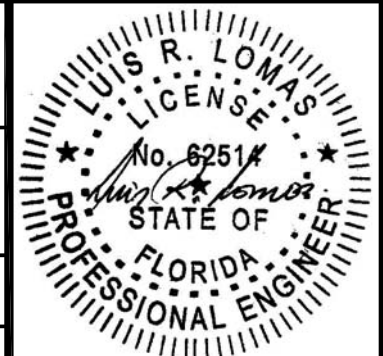
SIGNED: 10/27/2017

**US ALUMINUM**  
 DIVISION OF C.R. LAURENCE CO., INC.  
 2503 E. VERNON AVE., LOS ANGELES, CA 90058

STORM WALL XL HURRICANE RESISTANT  
 CURTAIN WALL – WET GLAZED – LMI HVHZ  
 MULLION AND JAMB CHARTS

|                |                     |                  |
|----------------|---------------------|------------------|
| DRAWN:<br>R.L. | DWG NO.<br>08-03020 | REV<br>-         |
| SCALE<br>NTS   | DATE<br>12/07/16    | SHEET<br>4 OF 25 |

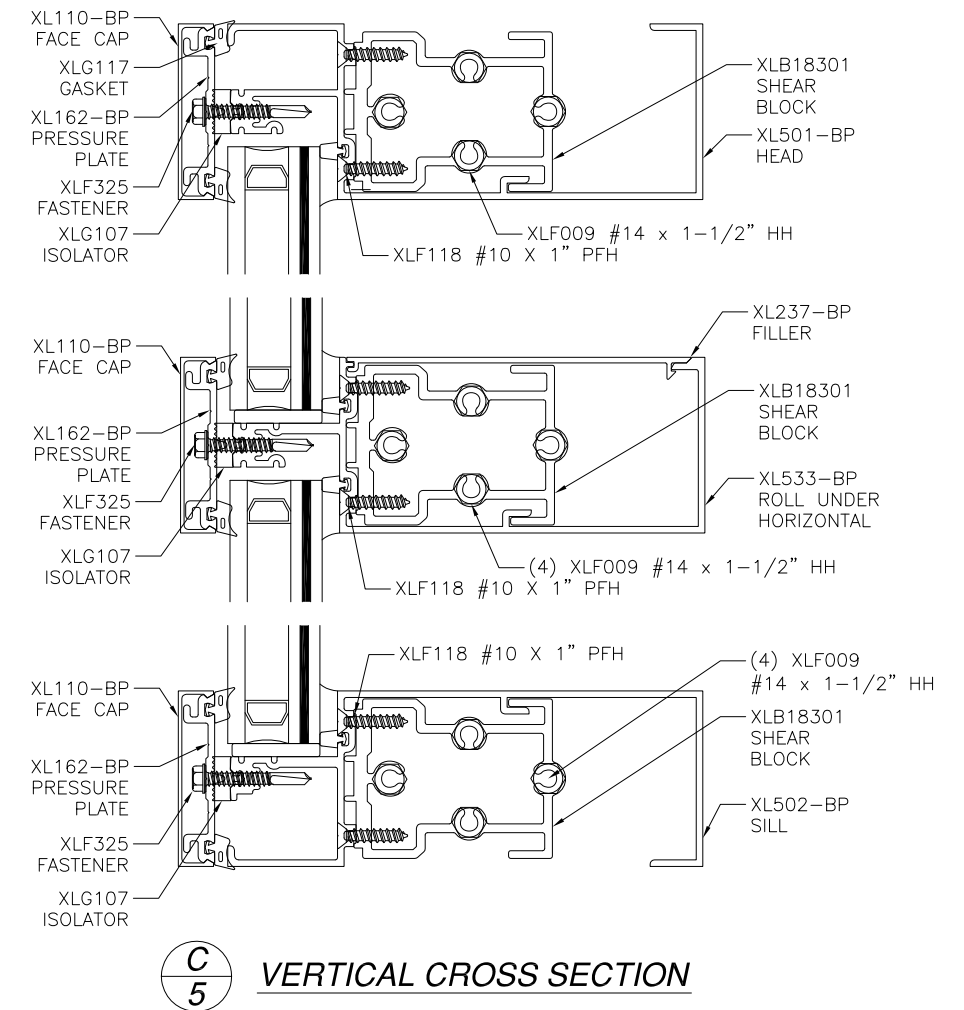
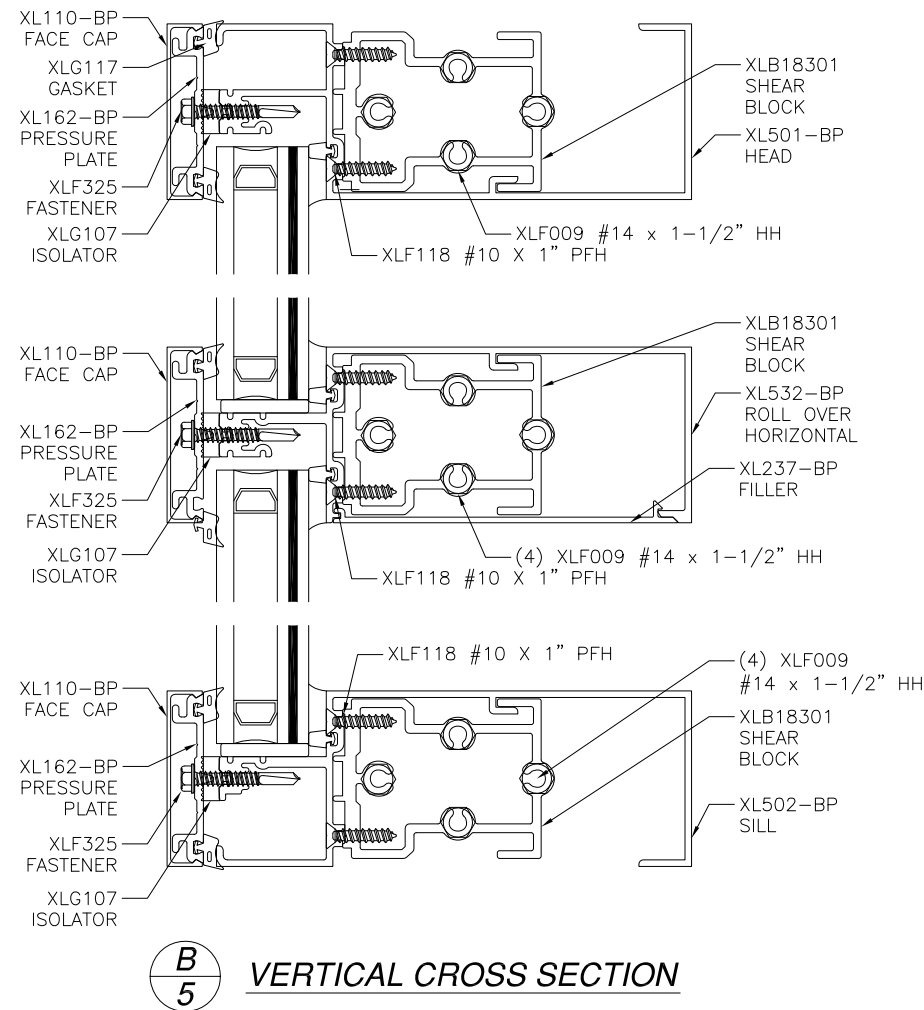
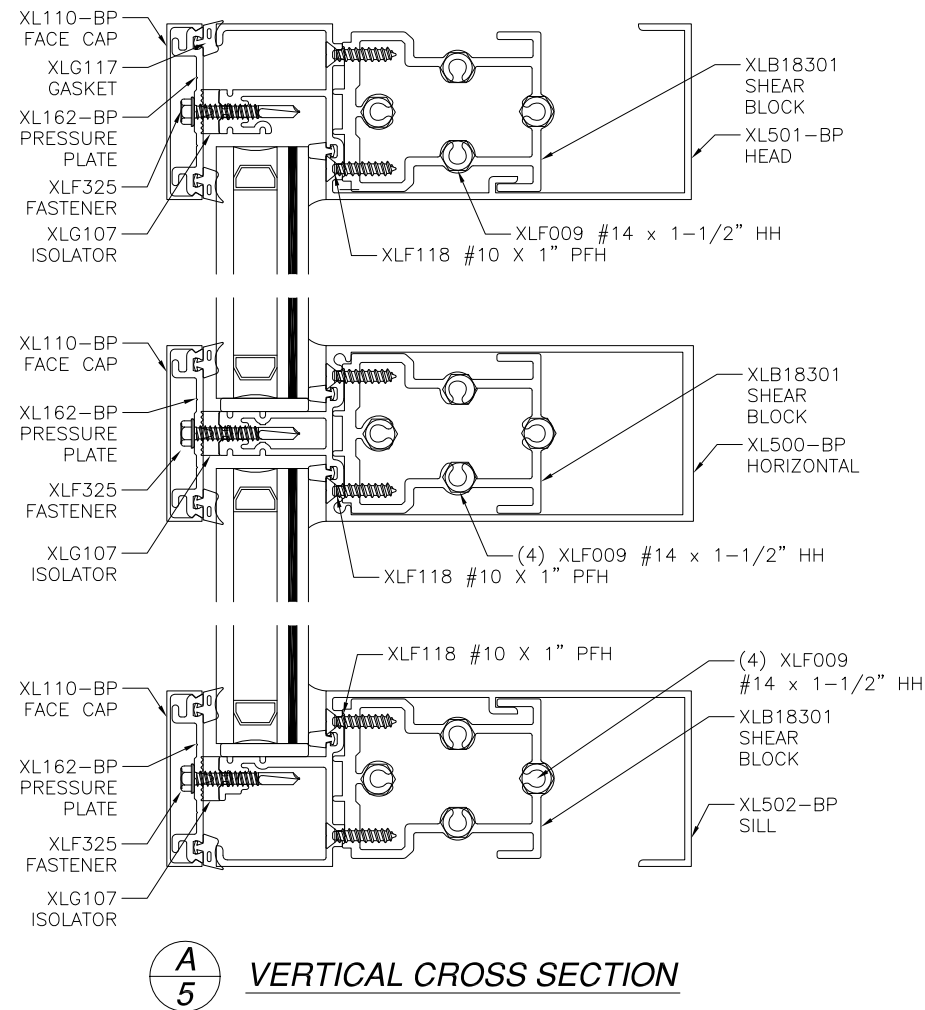
L. ROBERTO LOMAS P.E.  
 1432 WOODFORD RD LEWISVILLE, NC 27023  
 434-688-0609 rllomas@rlomaspe.com



Luis R. Lomas P.E.  
 FL No.: 62514

**FOR ILLUSTRATION PURPOSES ONLY**  
**FOR INSTALLATION DETAILS SEE SHEETS 11 - 18**

| REVISIONS |             |      |          |
|-----------|-------------|------|----------|
| REV       | DESCRIPTION | DATE | APPROVED |
|           |             |      |          |



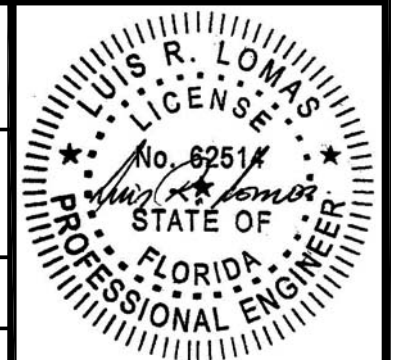
SIGNED: 10/27/2017

**US ALUMINUM**  
 DIVISION OF C.R. LAURENCE CO., INC.  
 2503 E. VERNON AVE., LOS ANGELES, CA 90058

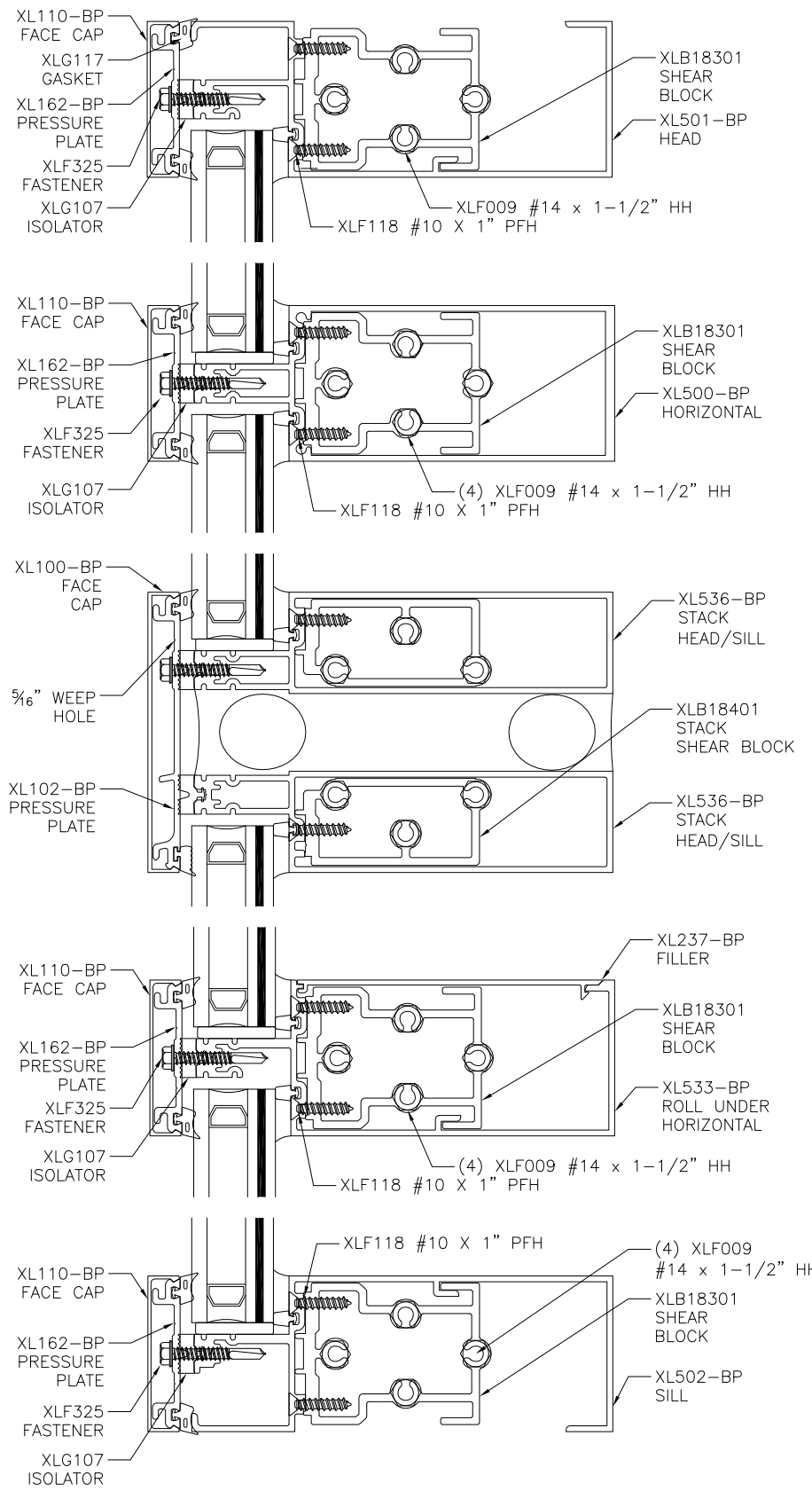
STORM WALL XL HURRICANE RESISTANT  
 CURTAIN WALL - WET GLAZED - LMI HVHZ  
 VERTICAL CROSS SECTIONS

|                |                     |               |
|----------------|---------------------|---------------|
| DRAWN:<br>R.L. | DWG NO.<br>08-03020 | REV<br>-      |
| SCALE NTS      | DATE 12/07/16       | SHEET 5 OF 25 |

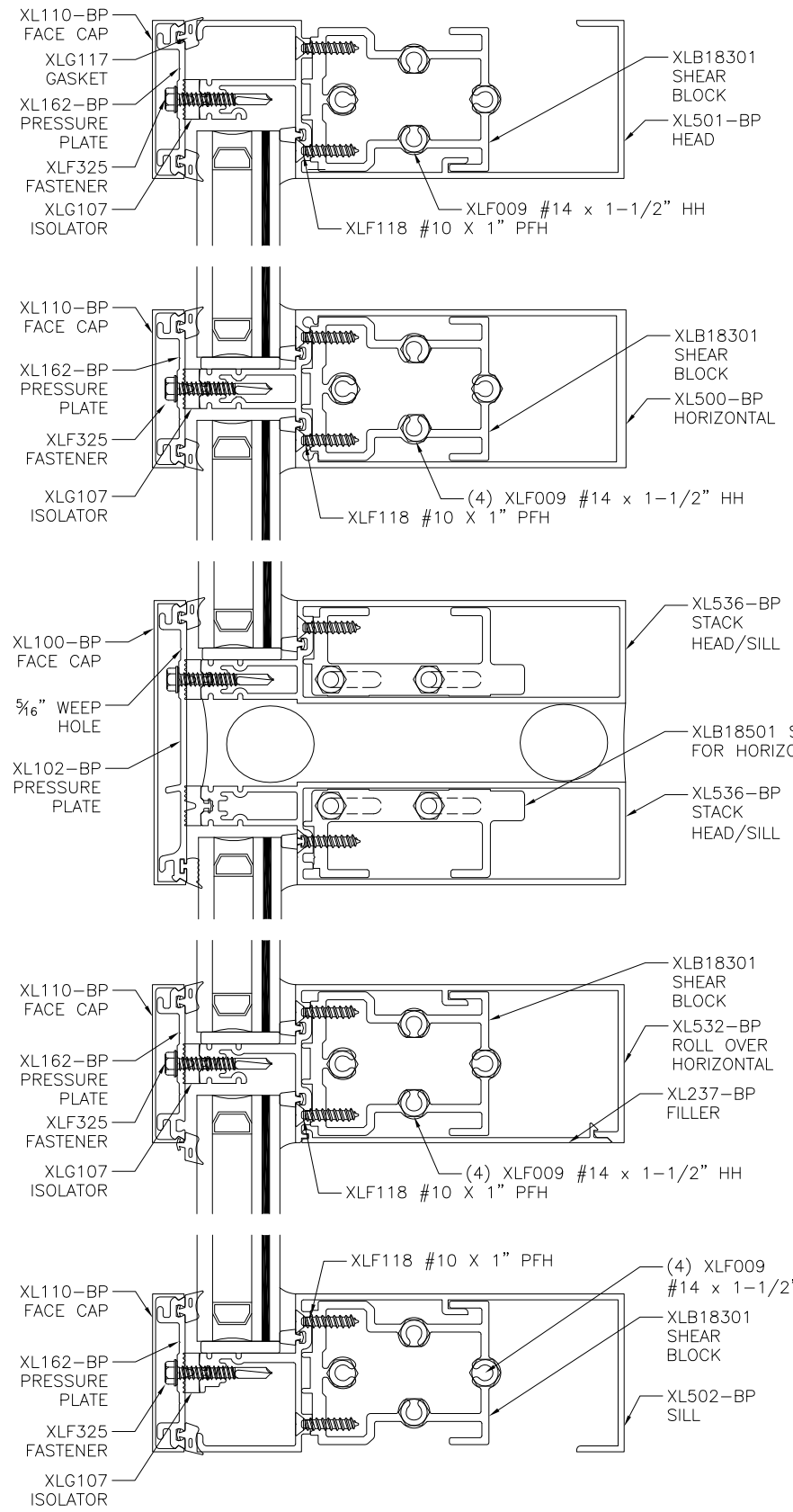
L. ROBERTO LOMAS P.E.  
 1432 WOODFORD RD LEWISVILLE, NC 27023  
 434-688-0609 rllomas@rlomaspe.com



Luis R. Lomas P.E.  
 FL No.: 62514



**F**  
6 VERTICAL CROSS SECTION



**G**  
6 VERTICAL CROSS SECTION

| REVISIONS |             |      |          |
|-----------|-------------|------|----------|
| REV       | DESCRIPTION | DATE | APPROVED |
|           |             |      |          |

**FOR ILLUSTRATION PURPOSES ONLY**  
**FOR INSTALLATION DETAILS SEE SHEETS 11 - 18**

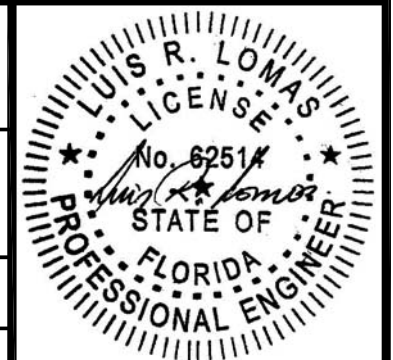
**US ALUMINUM**  
DIVISION OF C.R. LAURENCE CO., INC.  
2503 E. VERNON AVE., LOS ANGELES, CA 90058

**STORM WALL XL HURRICANE RESISTANT  
CURTAIN WALL - WET GLAZED - LMI HVHZ  
VERTICAL CROSS SECTIONS**

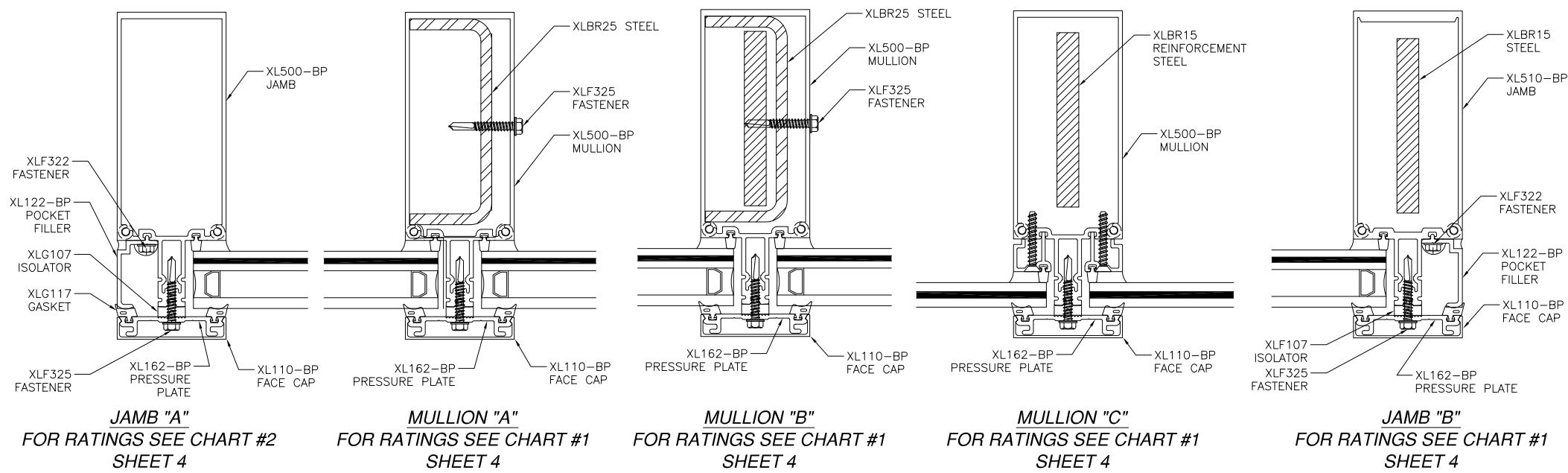
|                |                     |               |
|----------------|---------------------|---------------|
| DRAWN:<br>R.L. | DWG NO.<br>08-03020 | REV<br>-      |
| SCALE NTS      | DATE 12/07/16       | SHEET 6 OF 25 |

L. ROBERTO LOMAS P.E.  
1432 WOODFORD RD LEWISVILLE, NC 27023  
434-688-0609 rllomas@rlomaspe.com

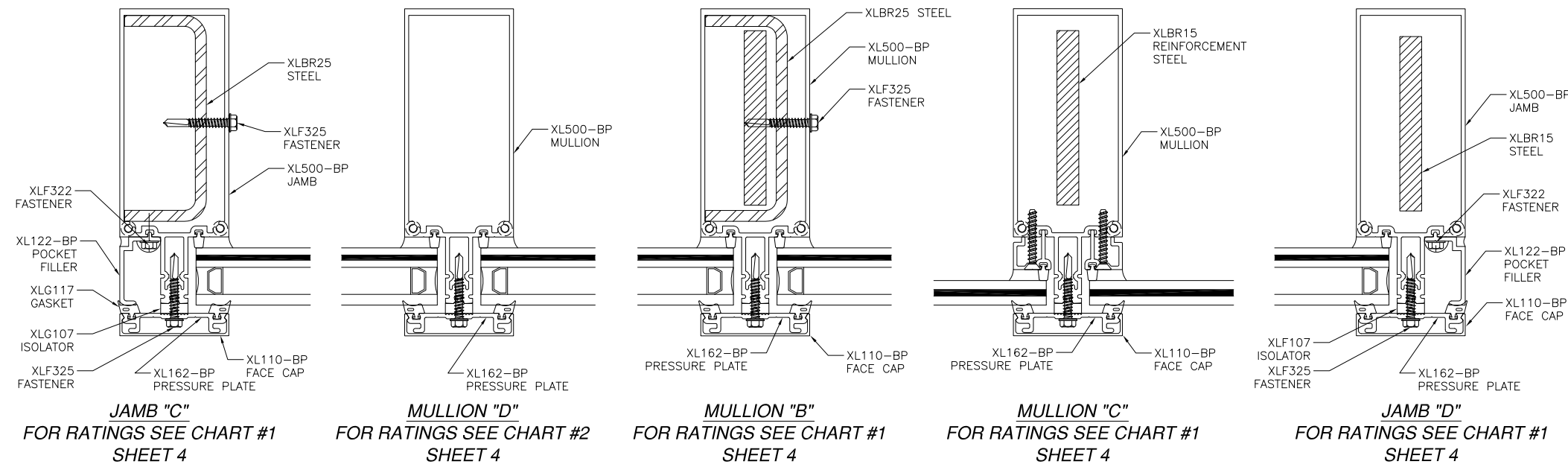
SIGNED: 10/27/2017



Luis R. Lomas P.E.  
FL No.: 62514



**D**  
7 HORIZONTAL CROSS SECTION



**E**  
7 HORIZONTAL CROSS SECTION

**FOR ILLUSTRATION PURPOSES ONLY  
FOR INSTALLATION DETAILS SEE SHEETS 11 - 18**

| REVISIONS |             |      |          |
|-----------|-------------|------|----------|
| REV       | DESCRIPTION | DATE | APPROVED |

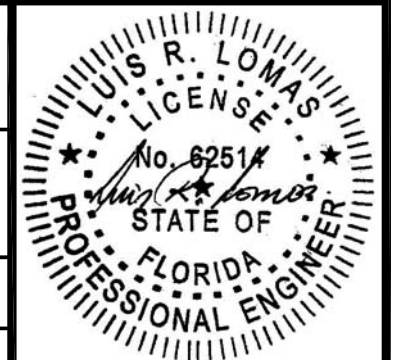
**US ALUMINUM**  
DIVISION OF C.R. LAURENCE CO., INC.  
2503 E. VERNON AVE., LOS ANGELES, CA 90058

STORM WALL XL HURRICANE RESISTANT  
CURTAIN WALL - WET GLAZED - LMI HVHZ  
HORIZONTAL CROSS SECTIONS

|                |                     |                  |
|----------------|---------------------|------------------|
| DRAWN:<br>R.L. | DWG NO.<br>08-03020 | REV<br>-         |
| SCALE<br>NTS   | DATE<br>12/07/16    | SHEET<br>7 OF 25 |

L. ROBERTO LOMAS P.E.  
1432 WOODFORD RD LEWISVILLE, NC 27023  
434-688-0609 rllomas@rlomaspe.com

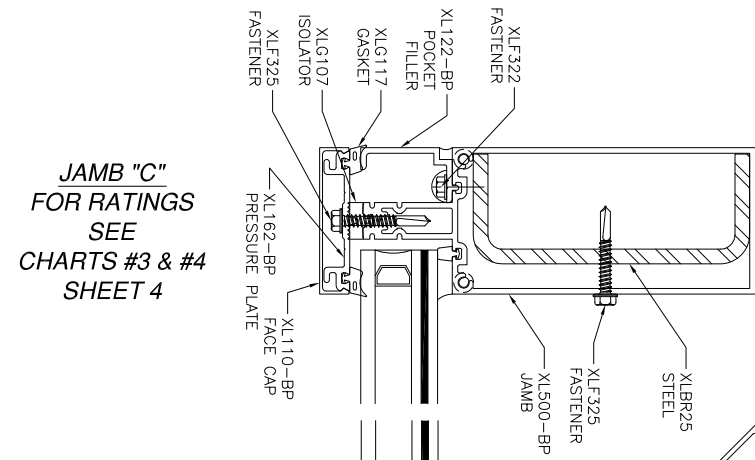
SIGNED: 10/27/2017



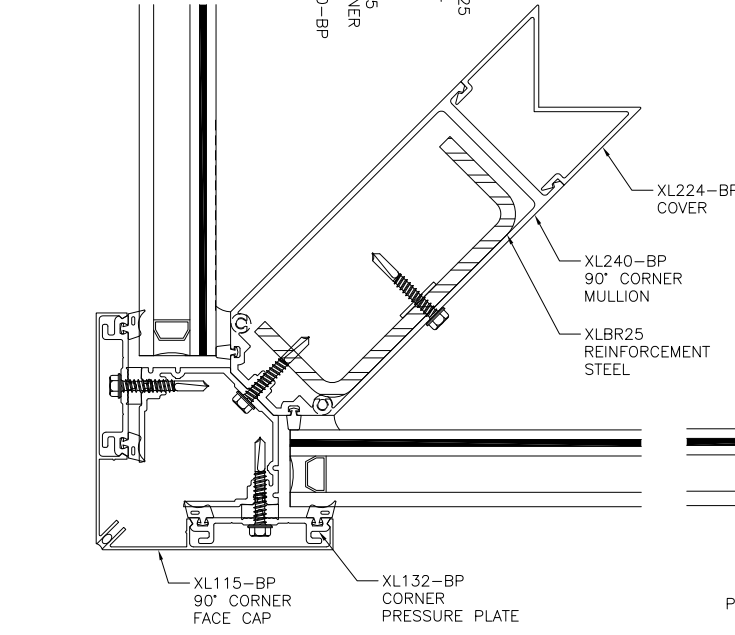
Luis R. Lomas P.E.  
FL No.: 62514

| REVISIONS |             |      |          |
|-----------|-------------|------|----------|
| REV       | DESCRIPTION | DATE | APPROVED |
|           |             |      |          |

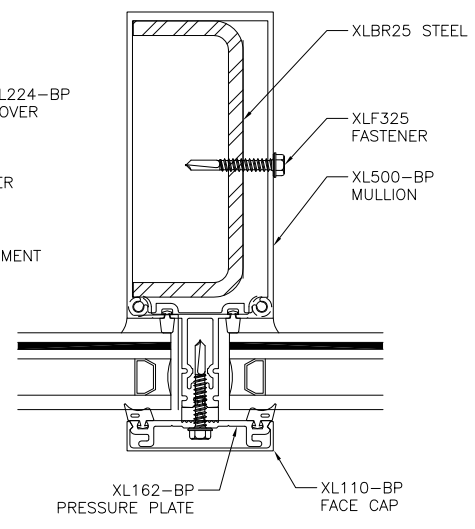
**FOR ILLUSTRATION PURPOSES ONLY**  
**FOR INSTALLATION DETAILS SEE SHEETS 11 - 18**



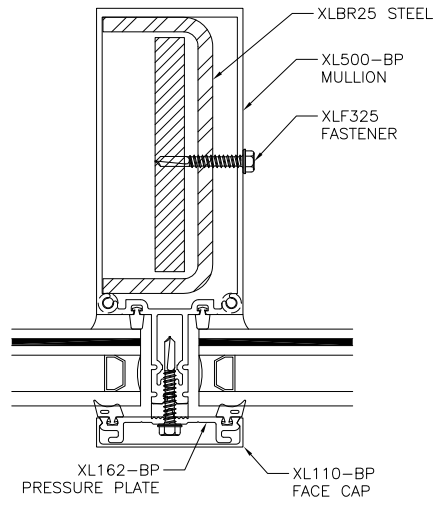
JAMB "C"  
FOR RATINGS  
SEE  
CHARTS #3 & #4  
SHEET 4



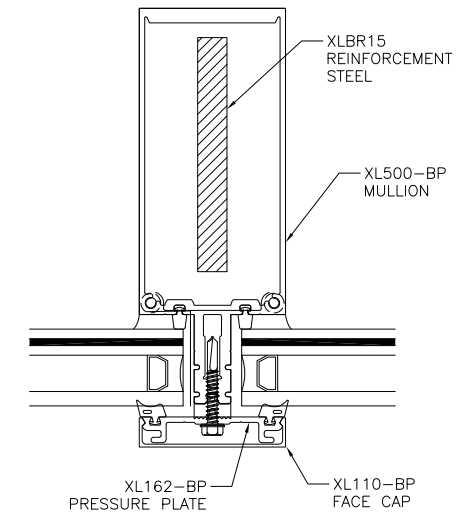
**CORNER MULLION**  
FOR RATINGS SEE CHARTS #3 & #4



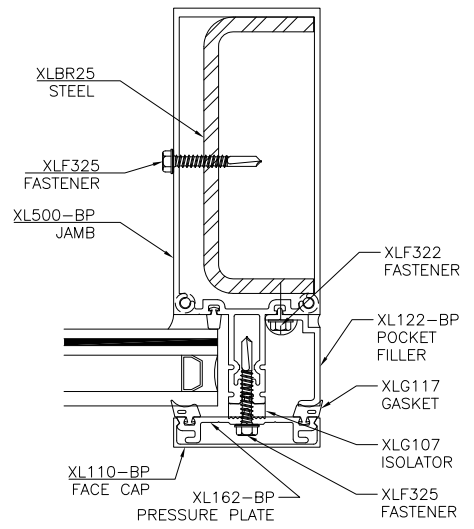
**MULLION "A"**  
FOR RATINGS SEE CHARTS #3 & #4



**MULLION "B"**  
FOR RATINGS SEE CHARTS #3 & #4



**MULLION "G"**  
FOR RATINGS SEE CHARTS #3 & #4



**JAMB "C"**  
FOR RATINGS SEE CHARTS #3 & #4

**H**  
**8** HORIZONTAL CROSS SECTION

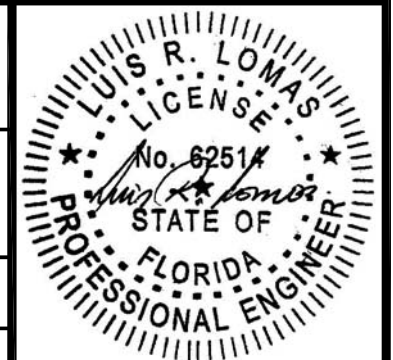
SIGNED: 10/27/2017

**US ALUMINUM**  
 DIVISION OF C.R. LAURENCE CO., INC.  
 2503 E. VERNON AVE., LOS ANGELES, CA 90058

STORM WALL XL HURRICANE RESISTANT  
 CURTAIN WALL - WET GLAZED - LMI HVHZ  
 HORIZONTAL CROSS SECTIONS

|                |                     |                  |
|----------------|---------------------|------------------|
| DRAWN:<br>R.L. | DWG NO.<br>08-03020 | REV<br>-         |
| SCALE<br>NTS   | DATE<br>12/07/16    | SHEET<br>8 OF 25 |

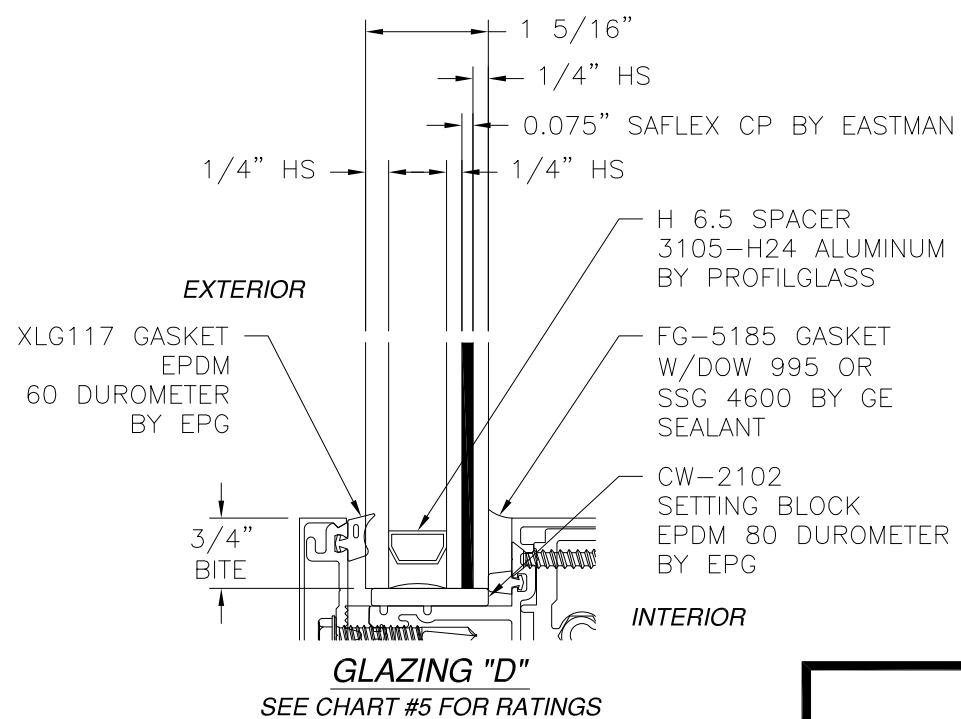
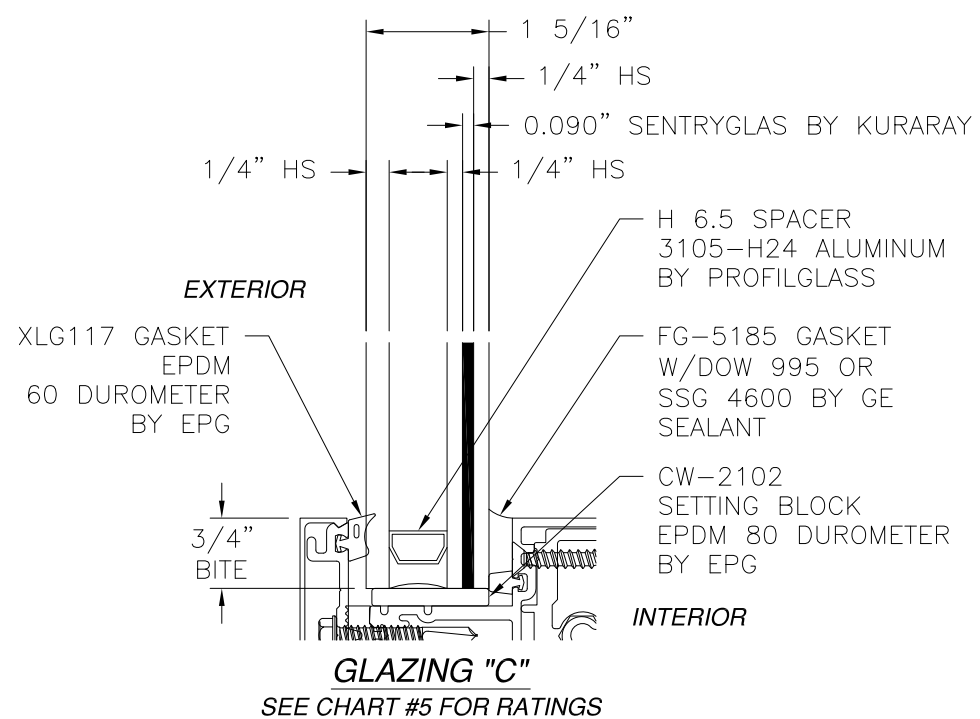
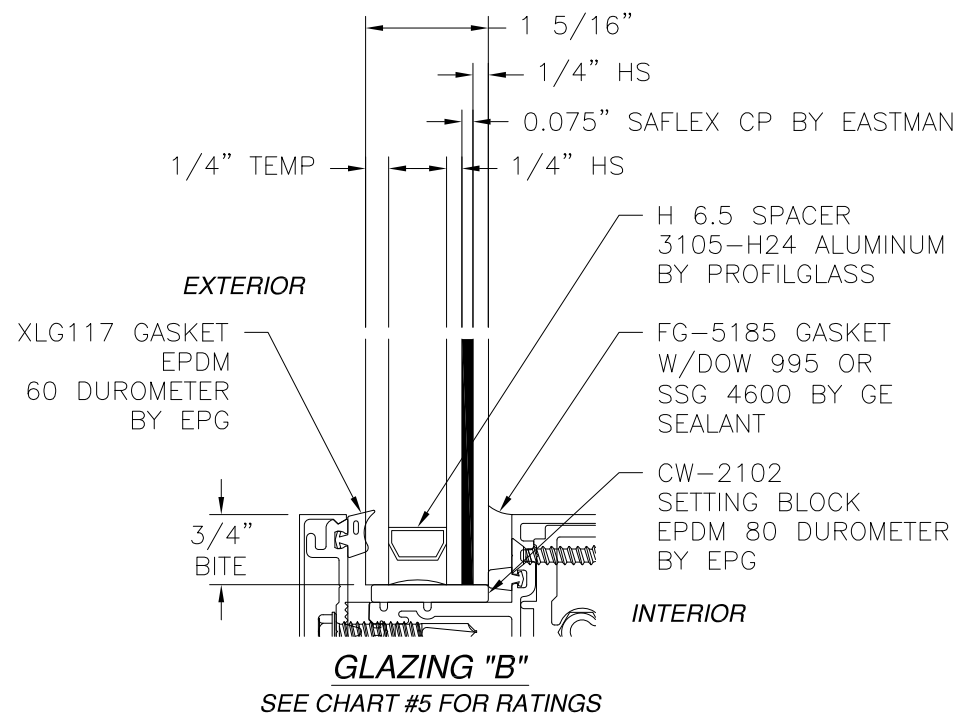
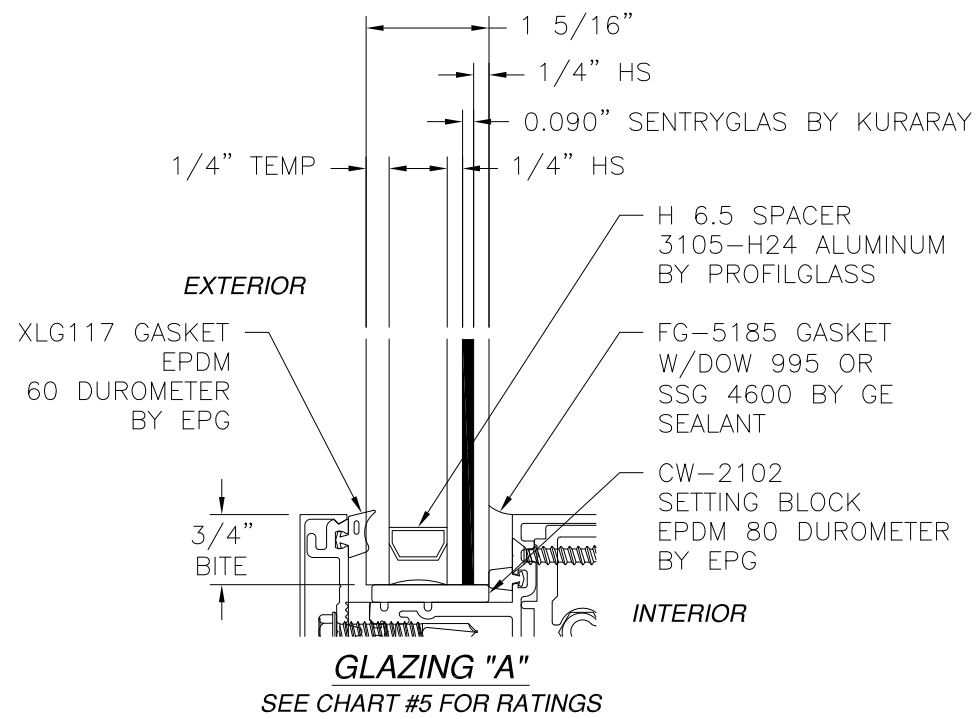
L. ROBERTO LOMAS P.E.  
 1432 WOODFORD RD LEWISVILLE, NC 27023  
 434-688-0609 rllomas@rlomaspe.com



Luis R. Lomas P.E.  
FL No.: 62514



| REVISIONS |             |      |          |
|-----------|-------------|------|----------|
| REV       | DESCRIPTION | DATE | APPROVED |
|           |             |      |          |



**Chart #5**  
Design pressure per glass "A", "B", "C", "D", "E", "F" and "G" (psf)

| D.L.O. Height (in) | D.L.O. width (in) |       |       |       |       |       |       |       |       |
|--------------------|-------------------|-------|-------|-------|-------|-------|-------|-------|-------|
|                    | 21.5              | 27.5  | 33.5  | 39.5  | 45.5  | 51.5  | 57.5  | 63.5  | 69.5  |
| 36.0               | 100.0             | 100.0 | 100.0 | 100.0 | 100.0 | 100.0 | 100.0 | 100.0 | 100.0 |
| 42.0               | 100.0             | 100.0 | 100.0 | 100.0 | 100.0 | 100.0 | 100.0 | 100.0 | 100.0 |
| 48.0               | 100.0             | 100.0 | 100.0 | 100.0 | 100.0 | 100.0 | 100.0 | 100.0 | 100.0 |
| 54.0               | 100.0             | 100.0 | 100.0 | 100.0 | 100.0 | 100.0 | 100.0 | 100.0 | 100.0 |
| 60.0               | 100.0             | 100.0 | 100.0 | 100.0 | 100.0 | 100.0 | 100.0 | 100.0 | 100.0 |
| 66.0               | 100.0             | 100.0 | 100.0 | 100.0 | 100.0 | 100.0 | 100.0 | 100.0 | 100.0 |
| 72.0               | 100.0             | 100.0 | 100.0 | 100.0 | 100.0 | 100.0 | 100.0 | 100.0 | 100.0 |
| 78.0               | 100.0             | 100.0 | 100.0 | 100.0 | 100.0 | 100.0 | 100.0 | 100.0 | 100.0 |
| 84.0               | 100.0             | 100.0 | 100.0 | 100.0 | 100.0 | 100.0 | 100.0 | 100.0 | 94.6  |
| 90.0               | 100.0             | 100.0 | 100.0 | 100.0 | 100.0 | 100.0 | 100.0 | 96.6  | 88.2  |
| 96.0               | 100.0             | 100.0 | 100.0 | 100.0 | 100.0 | 100.0 | 100.0 | 90.6  | 82.7  |

NOTES:  
1. GLAZINGS "C" AND "D" MAY NOT BE USED IN UNITS INSTALLED AT 30FT OR HIGHER ABOVE GROUND LEVEL.

US ALUMINUM  
DIVISION OF C.R. LAURENCE CO., INC.  
2503 E. VERNON AVE., LOS ANGELES, CA 90058

STORM WALL XL HURRICANE RESISTANT  
CURTAIN WALL - WET GLAZED - LMI HVHZ  
GLAZING DETAILS

DRAWN: R.L.      DWG NO. 08-03020      REV -

SCALE NTS      DATE 12/07/16      SHEET 9 OF 25

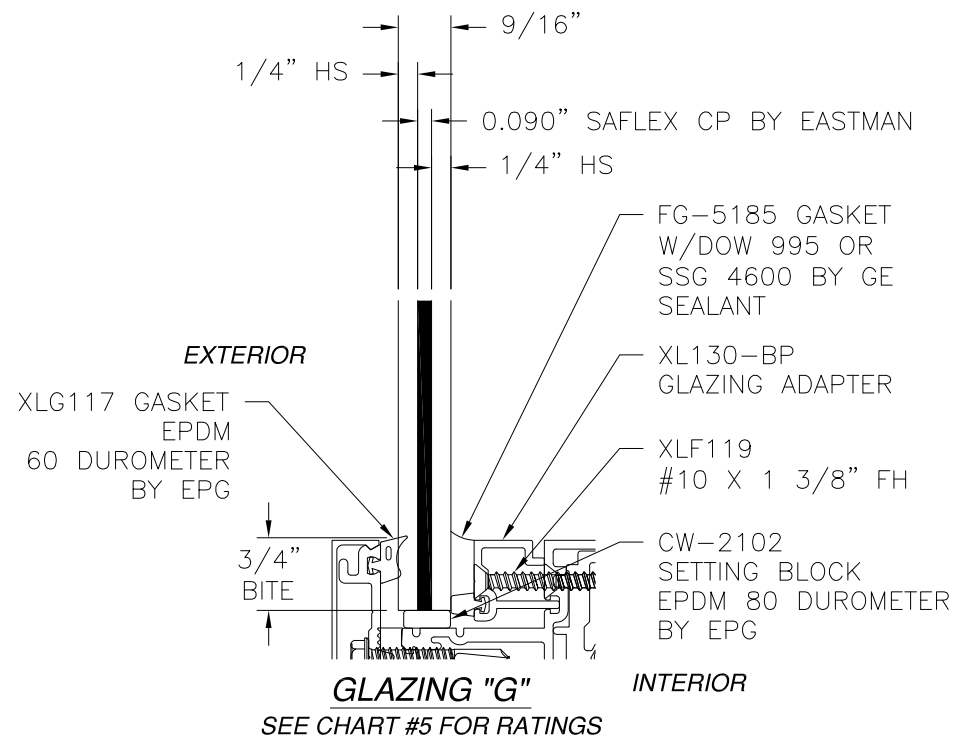
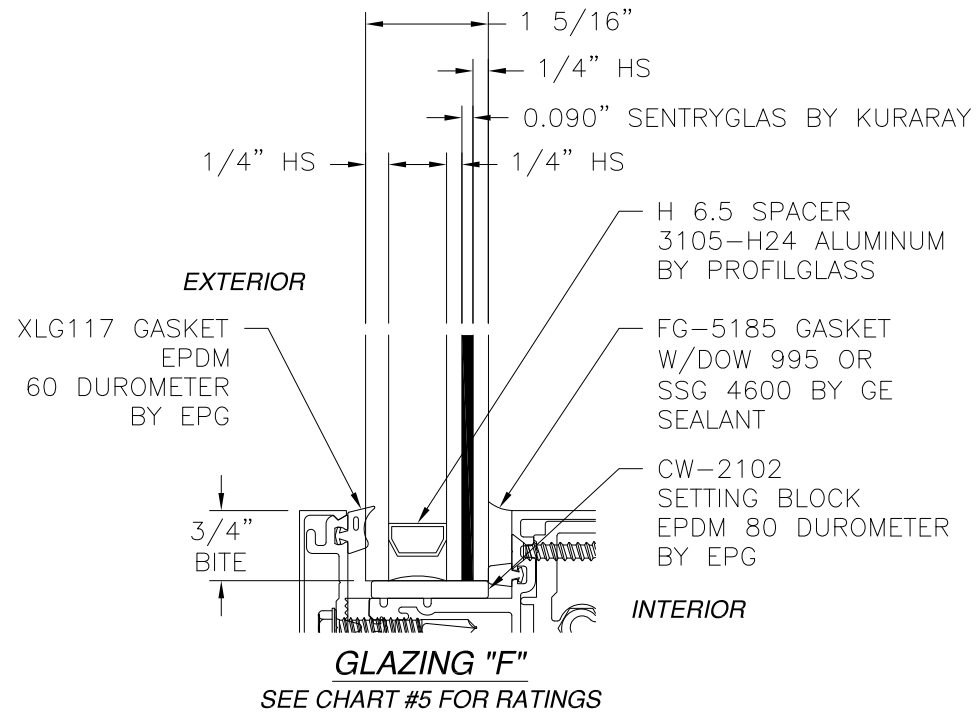
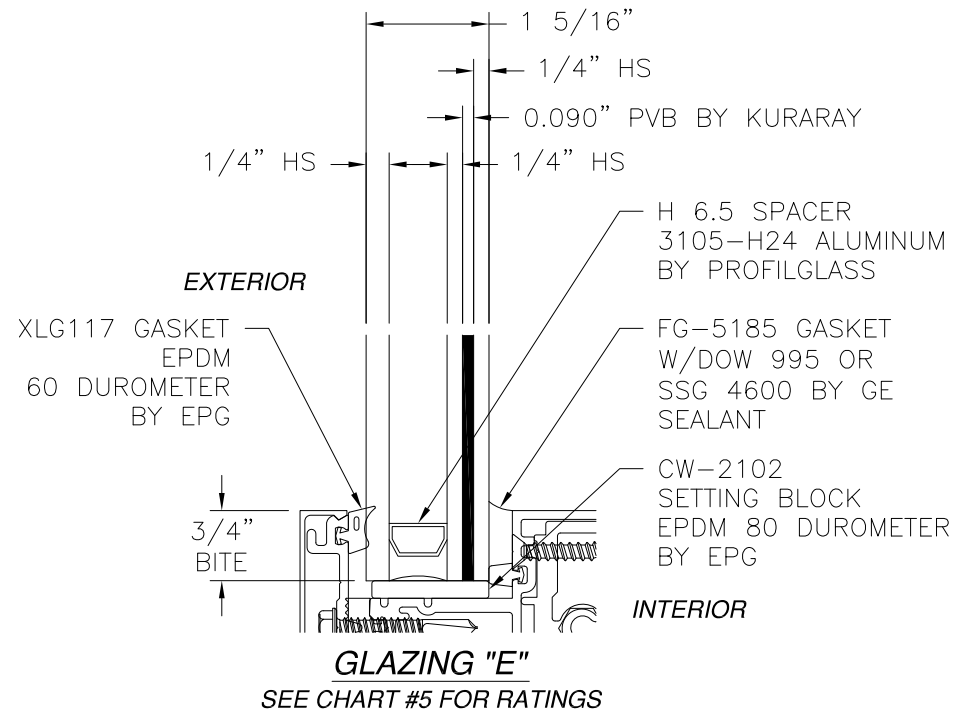
L. ROBERTO LOMAS P.E.  
1432 WOODFORD RD LEWISVILLE, NC 27023  
434-688-0609 rllomas@rlomaspe.com

SIGNED: 10/27/2017



Luis R. Lomas P.E.  
FL No.: 62514

| REVISIONS |             |      |          |
|-----------|-------------|------|----------|
| REV       | DESCRIPTION | DATE | APPROVED |
|           |             |      |          |



**NOTES:**  
 1. GLAZINGS "E" AND "F" MAY NOT BE USED IN UNITS INSTALLED AT 30FT OR HIGHER ABOVE GROUND LEVEL.

SIGNED: 10/27/2017

US ALUMINUM  
 DIVISION OF C.R. LAURENCE CO., INC.  
 2503 E. VERNON AVE., LOS ANGELES, CA 90058

STORM WALL XL HURRICANE RESISTANT  
 CURTAIN WALL - WET GLAZED - LMI HVHZ  
 GLAZING DETAILS

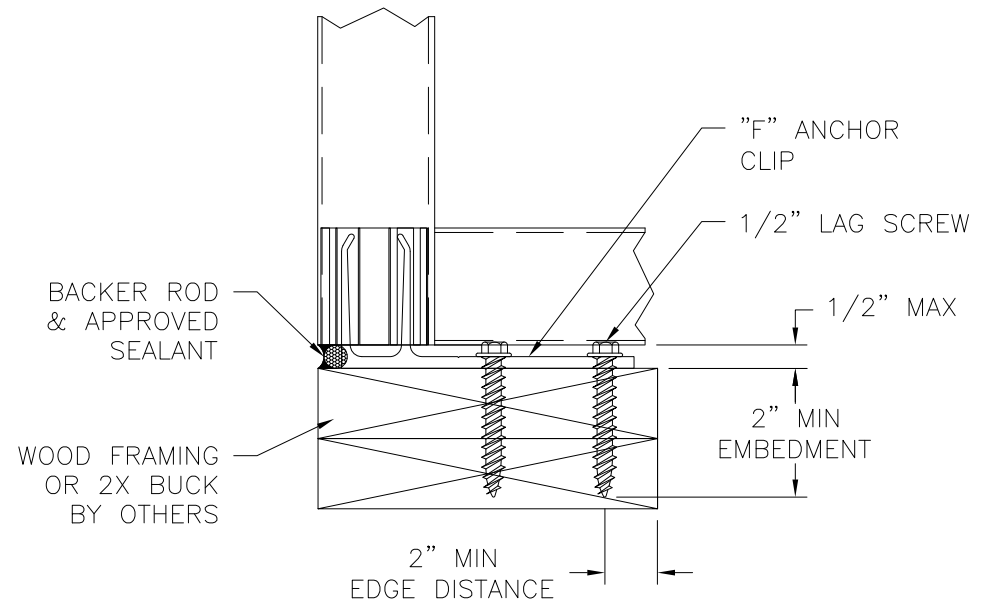
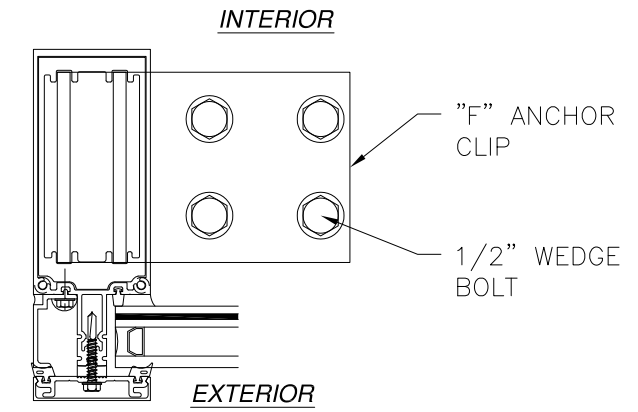
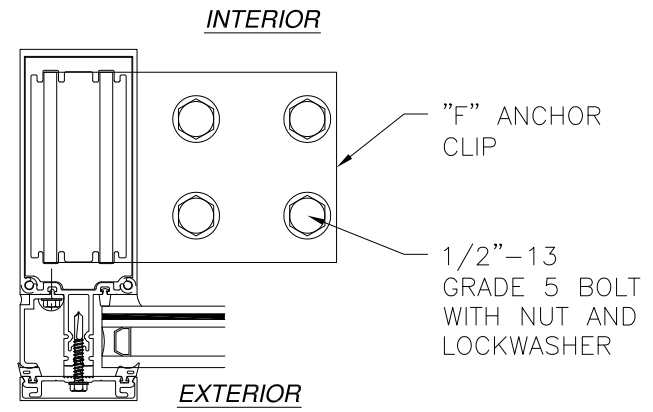
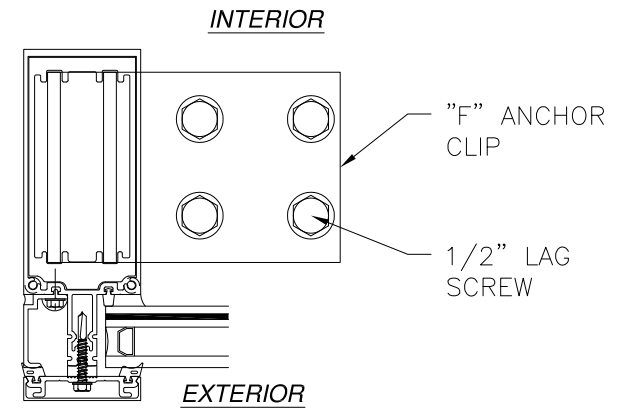
|                |                     |                |
|----------------|---------------------|----------------|
| DRAWN:<br>R.L. | DWG NO.<br>08-03020 | REV<br>-       |
| SCALE NTS      | DATE 12/07/16       | SHEET 10 OF 25 |

L. ROBERTO LOMAS P.E.  
 1432 WOODFORD RD LEWISVILLE, NC 27023  
 434-688-0609 rllomas@rlomaspe.com

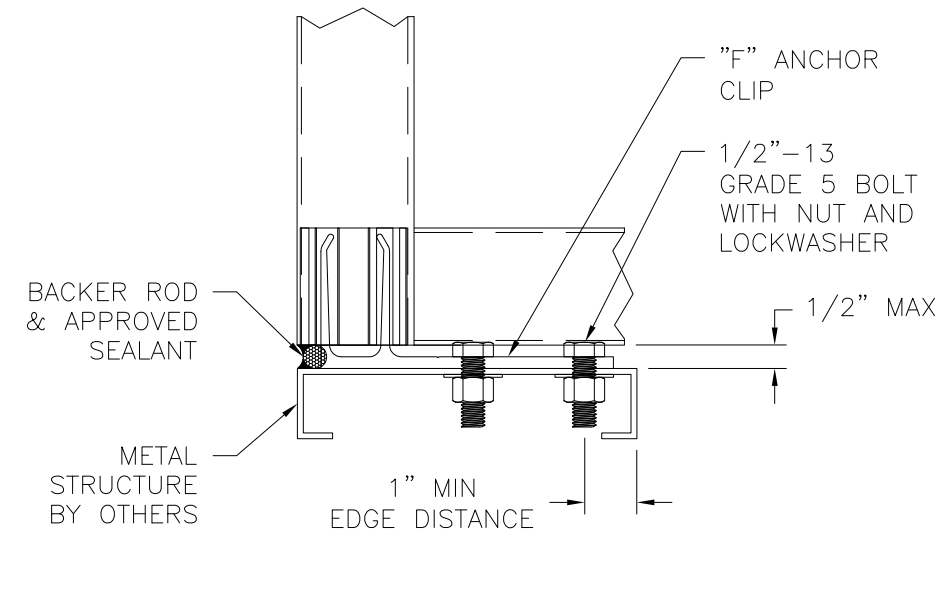
LUIS R. LOMAS  
 LICENSE  
 No. 62514  
 STATE OF FLORIDA  
 PROFESSIONAL ENGINEER

Luis R. Lomas P.E.  
 FL No.: 62514

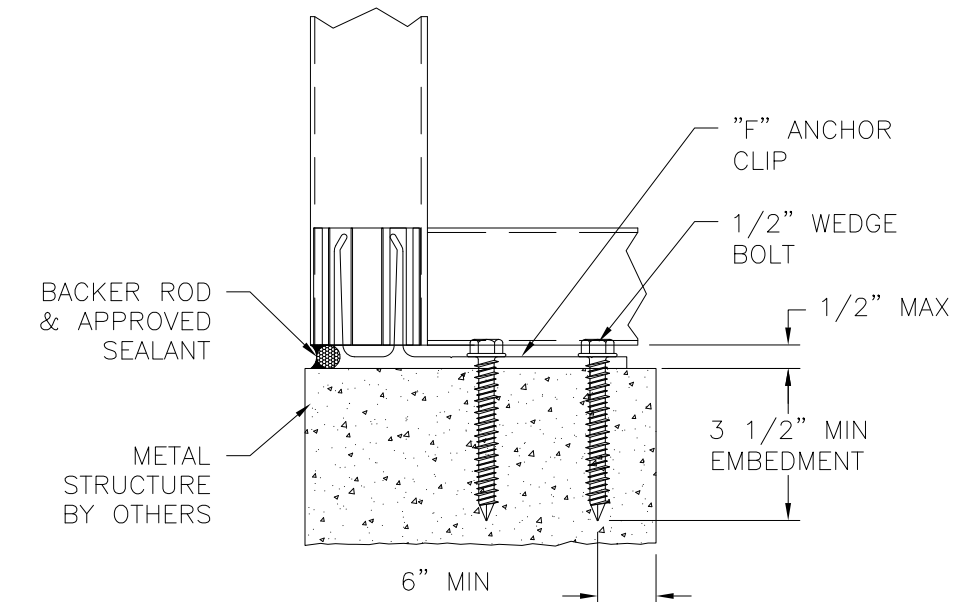
| REVISIONS |             |      |          |
|-----------|-------------|------|----------|
| REV       | DESCRIPTION | DATE | APPROVED |
|           |             |      |          |



**JAMB INSTALLATION DETAIL  
WITH "F" ANCHOR CLIP  
WOOD FRAMING OR 2X BUCK INSTALLATION  
SILL SHOWN, HEAD SIMILAR  
SEE CHART #7 FOR RATINGS**



**JAMB INSTALLATION DETAIL  
WITH "F" ANCHOR CLIP  
METAL STRUCTURE INSTALLATION  
SILL SHOWN, HEAD SIMILAR  
SEE CHART #8 FOR RATINGS**



**JAMB INSTALLATION DETAIL  
WITH "F" ANCHOR CLIP  
CONCRETE INSTALLATION  
SILL SHOWN, HEAD SIMILAR  
SEE CHART #9 FOR RATINGS**

- NOTES:**
1. INTERIOR AND EXTERIOR FINISHES, BY OTHERS, NOT SHOWN FOR CLARITY.
  2. PERIMETER AND JOINT SEALANT BY OTHERS TO BE DESIGNED IN ACCORDANCE WITH ASTM E2112

SIGNED: 10/27/2017

**US ALUMINUM**  
DIVISION OF C.R. LAURENCE CO., INC.  
2503 E. VERNON AVE., LOS ANGELES, CA 90058

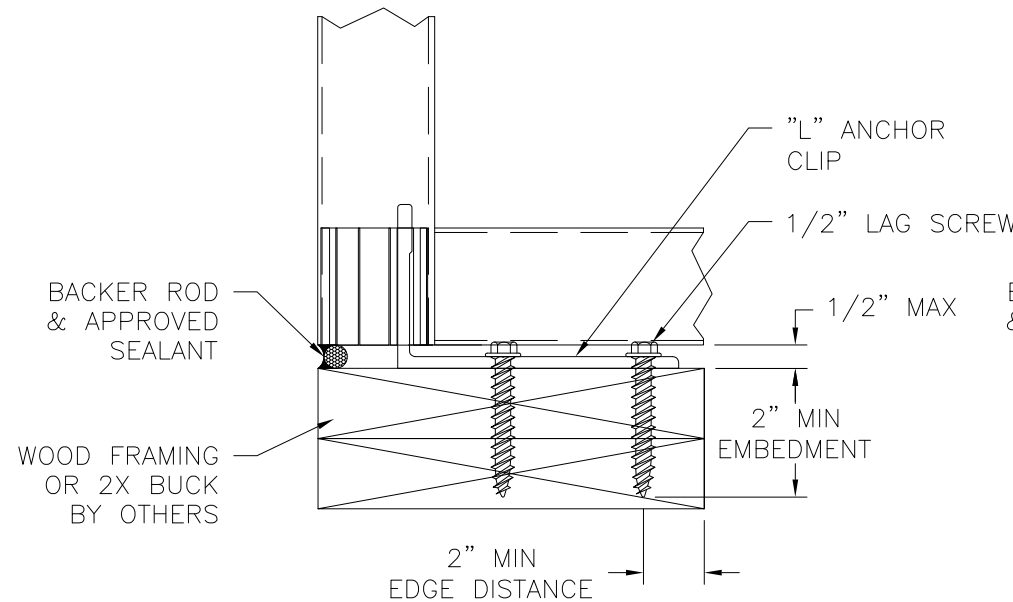
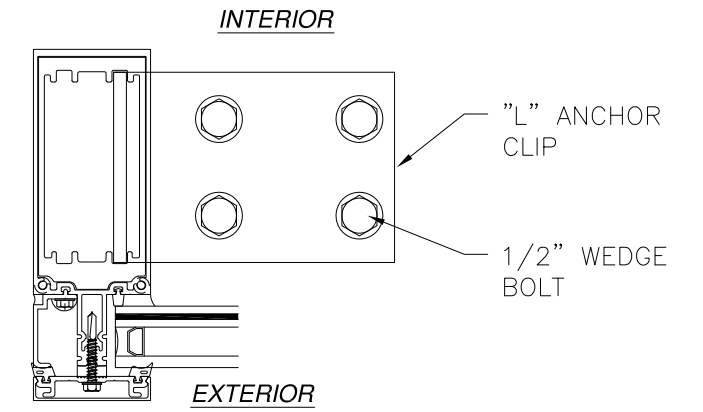
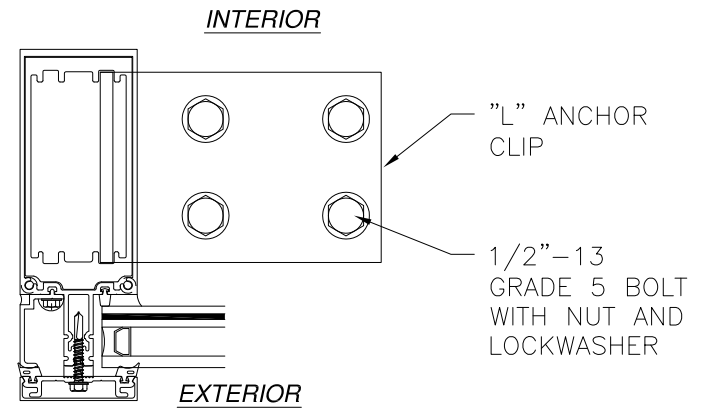
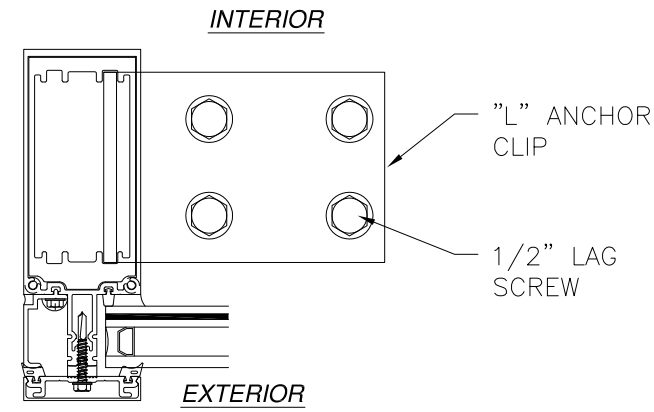
STORM WALL XL HURRICANE RESISTANT  
CURTAIN WALL – WET GLAZED – LMI HVHZ  
INSTALLATION DETAILS

|                |                     |                   |
|----------------|---------------------|-------------------|
| DRAWN:<br>R.L. | DWG NO.<br>08-03020 | REV<br>-          |
| SCALE<br>NTS   | DATE<br>12/07/16    | SHEET<br>11 OF 25 |

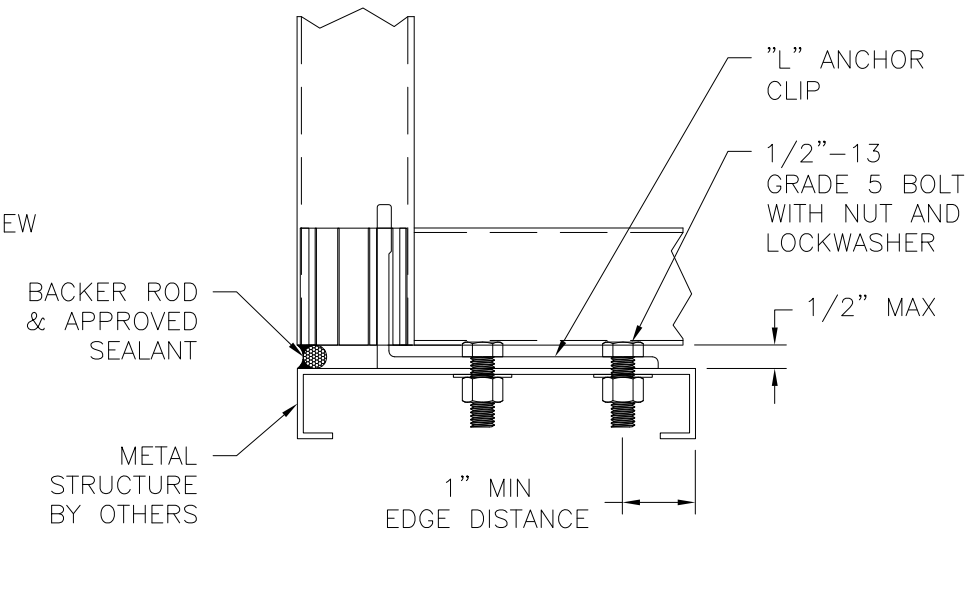
L. ROBERTO LOMAS P.E.  
1432 WOODFORD RD LEWISVILLE, NC 27023  
434-688-0609 rllomas@rlomaspe.com

Luis R. Lomas P.E.  
FL No.: 62514

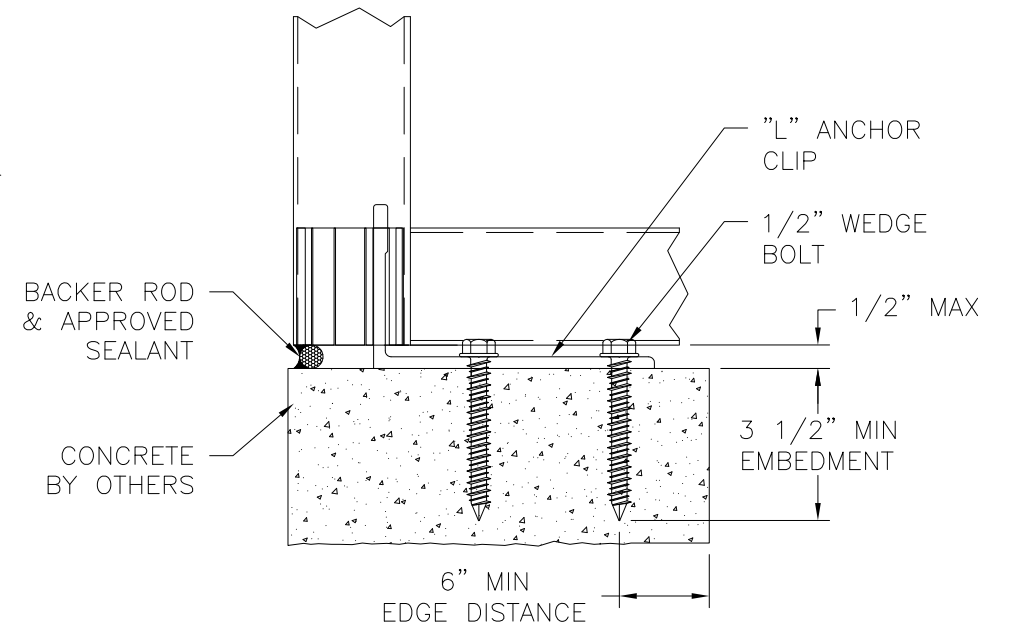
| REVISIONS |             |      |          |
|-----------|-------------|------|----------|
| REV       | DESCRIPTION | DATE | APPROVED |
|           |             |      |          |



**JAMB INSTALLATION DETAIL WITH "L" ANCHOR CLIP**  
**WOOD FRAMING OR 2X BUCK INSTALLATION**  
 SILL SHOWN, HEAD SIMILAR  
 SEE CHART #7 FOR RATINGS



**JAMB INSTALLATION DETAIL WITH "L" ANCHOR CLIP**  
**METAL STRUCTURE INSTALLATION**  
 SILL SHOWN, HEAD SIMILAR  
 SEE CHART #8 FOR RATINGS



**JAMB INSTALLATION DETAIL WITH "L" ANCHOR CLIP**  
**CONCRETE INSTALLATION**  
 SILL SHOWN, HEAD SIMILAR  
 SEE CHART #9 FOR RATINGS

- NOTES:
1. INTERIOR AND EXTERIOR FINISHES, BY OTHERS, NOT SHOWN FOR CLARITY.
  2. PERIMETER AND JOINT SEALANT BY OTHERS TO BE DESIGNED IN ACCORDANCE WITH ASTM E2112

SIGNED: 10/27/2017

**US ALUMINUM**  
 DIVISION OF C.R. LAURENCE CO., INC.  
 2503 E. VERNON AVE., LOS ANGELES, CA 90058

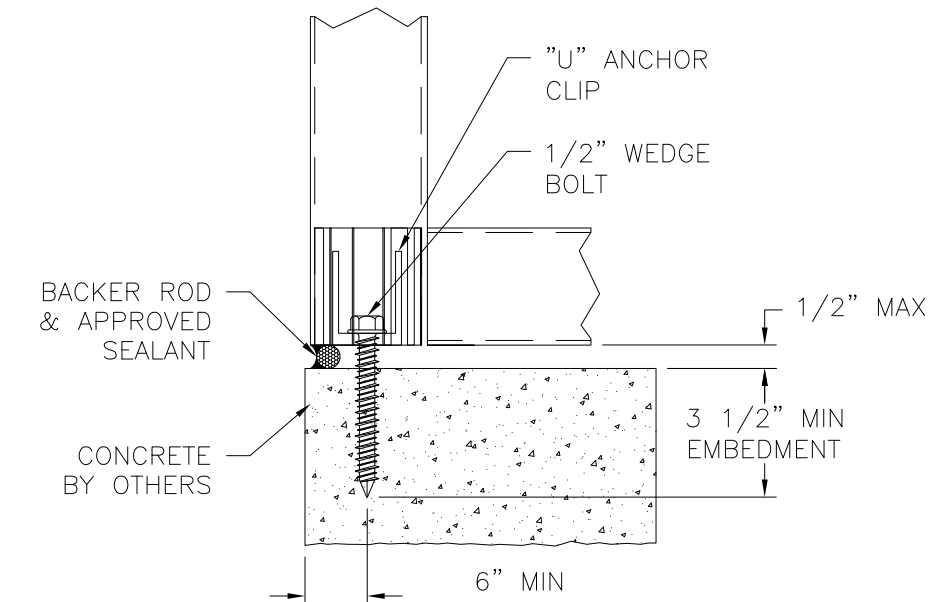
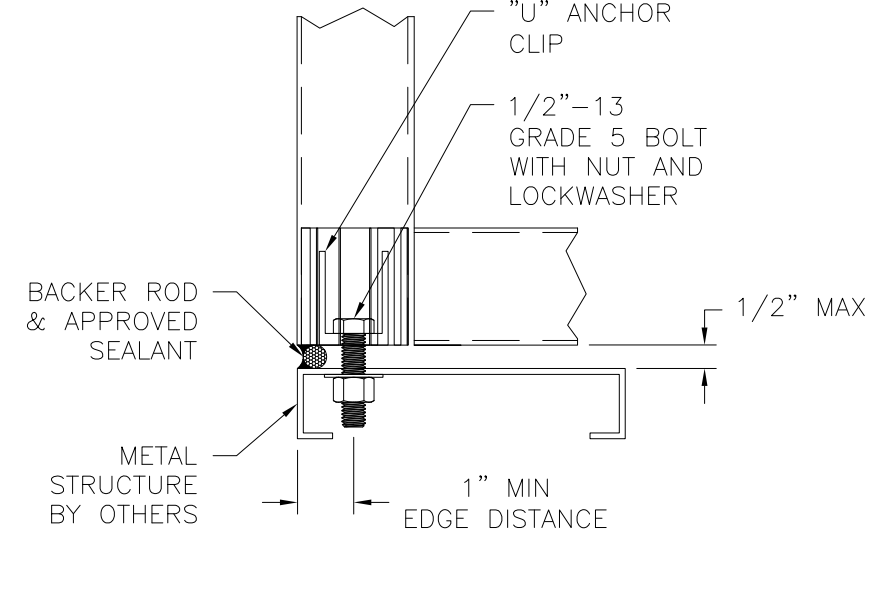
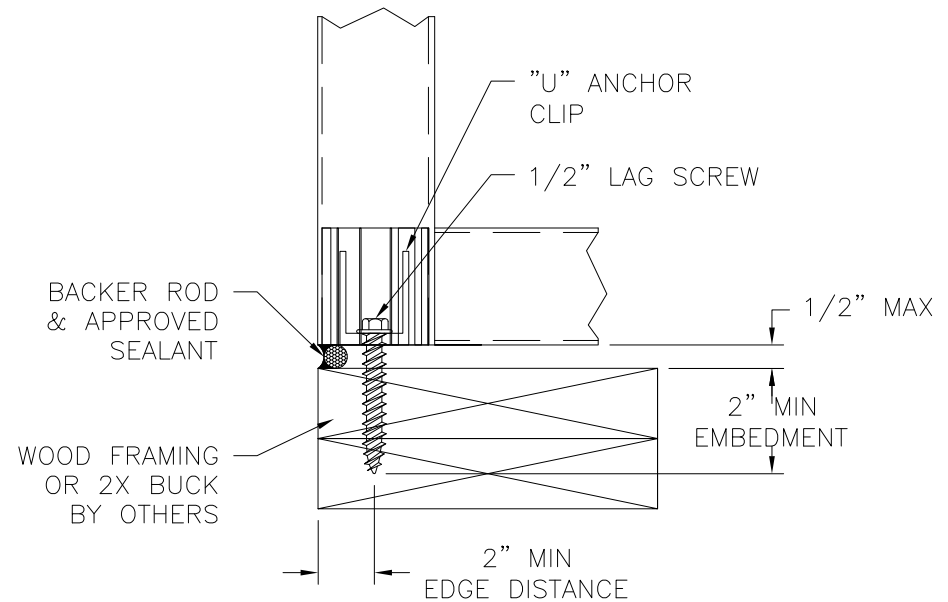
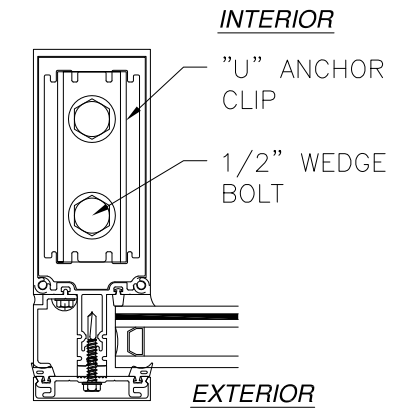
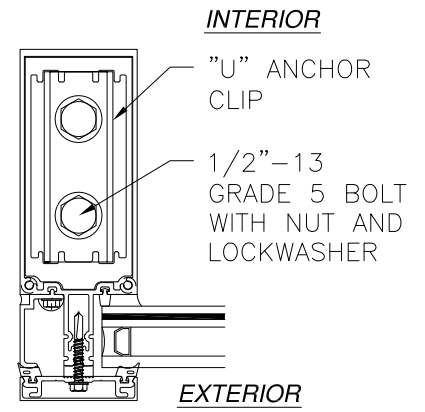
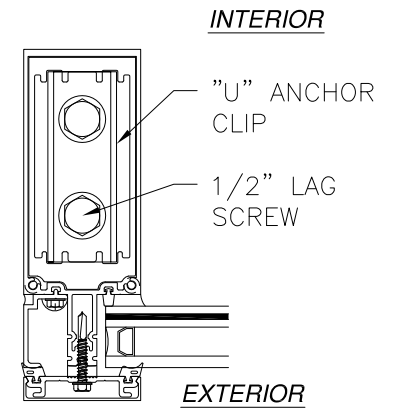
STORM WALL XL HURRICANE RESISTANT  
 CURTAIN WALL - WET GLAZED - LMI HVHZ  
 INSTALLATION DETAILS

|                |                     |                |
|----------------|---------------------|----------------|
| DRAWN:<br>R.L. | DWG NO.<br>08-03020 | REV<br>-       |
| SCALE NTS      | DATE 12/07/16       | SHEET 12 OF 25 |

L. ROBERTO LOMAS P.E.  
 1432 WOODFORD RD LEWISVILLE, NC 27023  
 434-688-0609 rllomas@rlomaspe.com

Luis R. Lomas P.E.  
 FL No.: 62514

| REVISIONS |             |      |          |
|-----------|-------------|------|----------|
| REV       | DESCRIPTION | DATE | APPROVED |
|           |             |      |          |



**JAMB INSTALLATION DETAIL  
WITH "U" ANCHOR CLIP**  
WOOD FRAMING OR 2X BUCK INSTALLATION  
SILL SHOWN, HEAD SIMILAR  
SEE CHART #6 FOR RATINGS

**JAMB INSTALLATION DETAIL  
WITH "U" ANCHOR CLIP**  
METAL STRUCTURE INSTALLATION  
SILL SHOWN, HEAD SIMILAR  
SEE CHART #8 FOR RATINGS

**JAMB INSTALLATION DETAIL  
WITH "U" ANCHOR CLIP**  
CONCRETE INSTALLATION  
SILL SHOWN, HEAD SIMILAR  
SEE CHART #9 FOR RATINGS

- NOTES:**
1. INTERIOR AND EXTERIOR FINISHES, BY OTHERS, NOT SHOWN FOR CLARITY.
  2. PERIMETER AND JOINT SEALANT BY OTHERS TO BE DESIGNED IN ACCORDANCE WITH ASTM E2112

SIGNED: 10/27/2017

**US ALUMINUM**  
DIVISION OF C.R. LAURENCE CO., INC.  
2503 E. VERNON AVE., LOS ANGELES, CA 90058

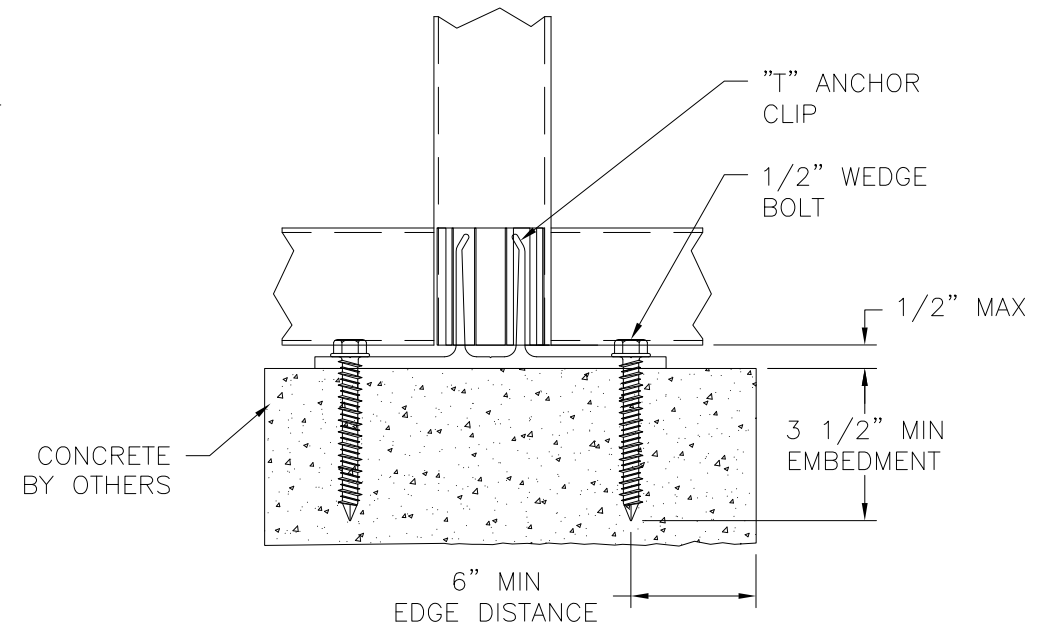
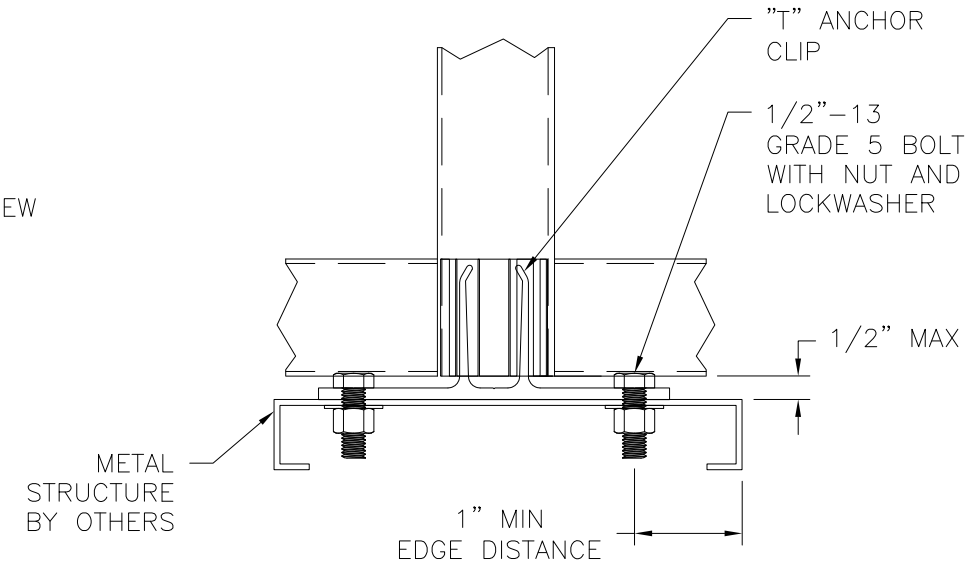
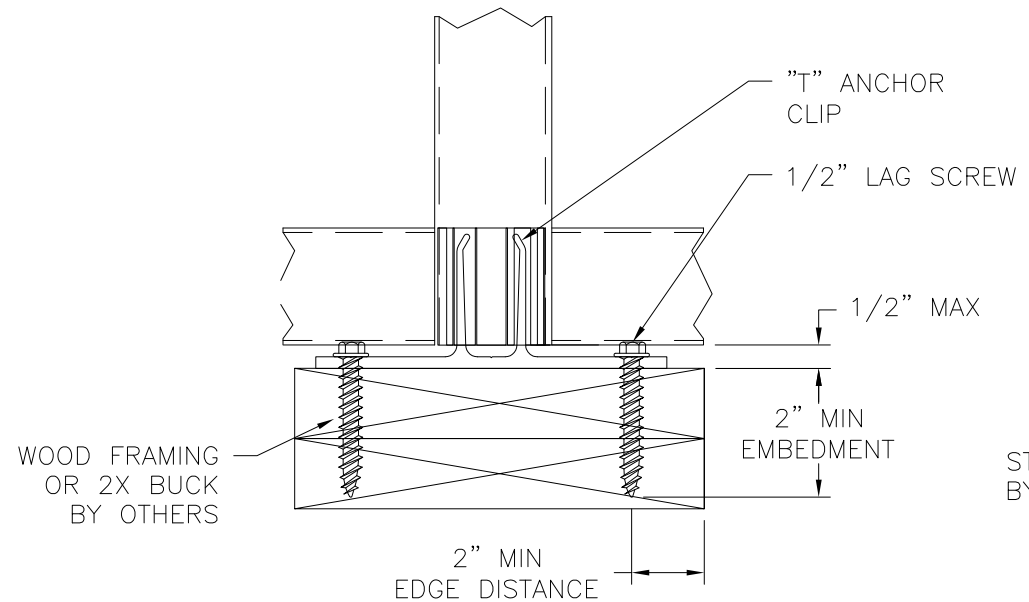
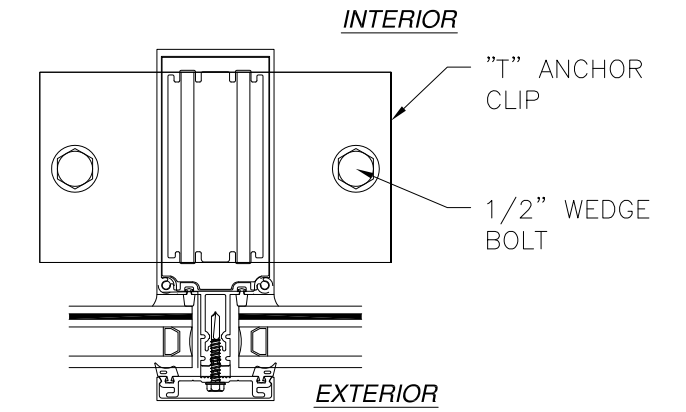
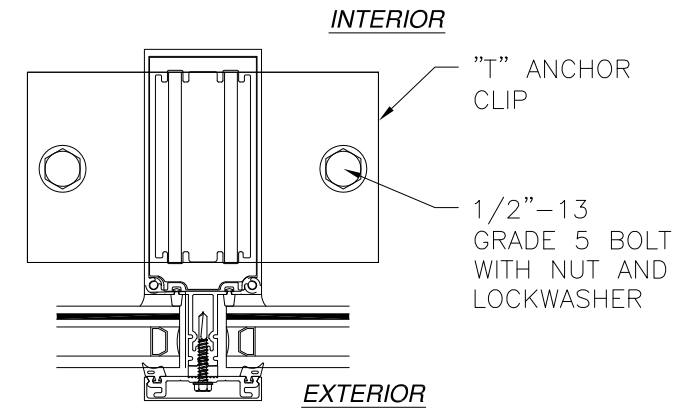
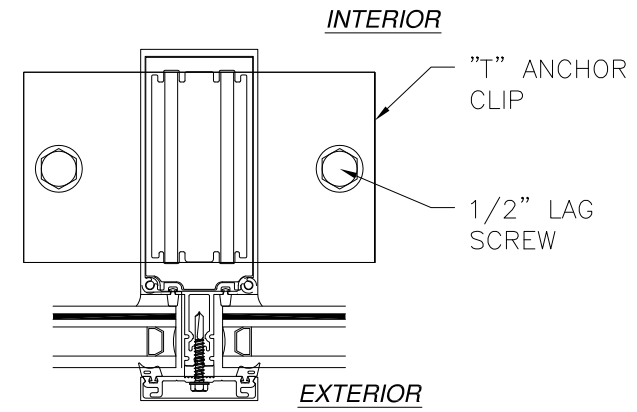
STORM WALL XL HURRICANE RESISTANT  
CURTAIN WALL - WET GLAZED - LMI HVHZ  
INSTALLATION DETAILS

|                |                     |                   |
|----------------|---------------------|-------------------|
| DRAWN:<br>R.L. | DWG NO.<br>08-03020 | REV<br>-          |
| SCALE<br>NTS   | DATE<br>12/07/16    | SHEET<br>13 OF 25 |

L. ROBERTO LOMAS P.E.  
1432 WOODFORD RD LEWISVILLE, NC 27023  
434-688-0609 rllomas@rlomaspe.com

Luis R. Lomas P.E.  
FL No.: 62514

| REVISIONS |             |      |          |
|-----------|-------------|------|----------|
| REV       | DESCRIPTION | DATE | APPROVED |
|           |             |      |          |



**MULLION INSTALLATION DETAIL  
WITH "T" ANCHOR CLIP  
WOOD FRAMING OR 2X BUCK INSTALLATION  
SILL SHOWN, HEAD SIMILAR  
SEE CHART #10 FOR RATINGS**

**MULLION INSTALLATION DETAIL  
WITH "T" ANCHOR CLIP  
METAL STRUCTURE INSTALLATION  
SILL SHOWN, HEAD SIMILAR  
SEE CHART #12 FOR RATINGS**

**MULLION INSTALLATION DETAIL  
WITH "T" ANCHOR CLIP  
CONCRETE INSTALLATION  
SILL SHOWN, HEAD SIMILAR  
SEE CHART #13 FOR RATINGS**

- NOTES:**
1. INTERIOR AND EXTERIOR FINISHES, BY OTHERS, NOT SHOWN FOR CLARITY.
  2. PERIMETER AND JOINT SEALANT BY OTHERS TO BE DESIGNED IN ACCORDANCE WITH ASTM E2112

SIGNED: 10/27/2017

**US ALUMINUM**  
DIVISION OF C.R. LAURENCE CO., INC.  
2503 E. VERNON AVE., LOS ANGELES, CA 90058

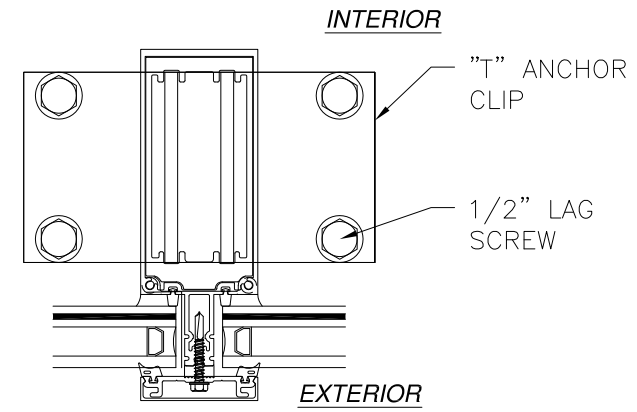
STORM WALL XL HURRICANE RESISTANT  
CURTAIN WALL - WET GLAZED - LMI HVHZ  
INSTALLATION DETAILS

|                |                     |                   |
|----------------|---------------------|-------------------|
| DRAWN:<br>R.L. | DWG NO.<br>08-03020 | REV<br>-          |
| SCALE<br>NTS   | DATE<br>12/07/16    | SHEET<br>14 OF 25 |

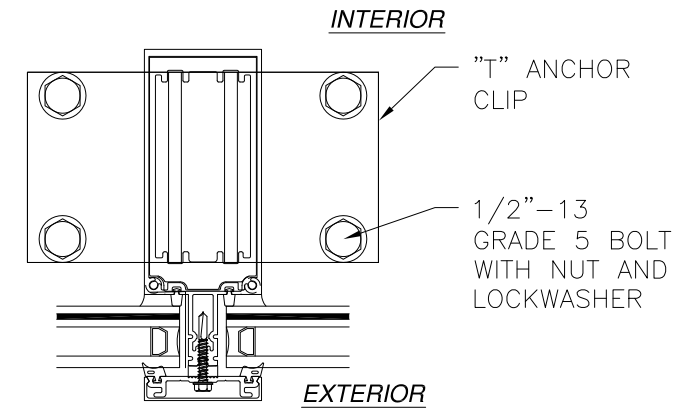
L. ROBERTO LOMAS P.E.  
1432 WOODFORD RD LEWISVILLE, NC 27023  
434-688-0609 rllomas@rlomaspe.com

Luis R. Lomas P.E.  
FL No.: 62514

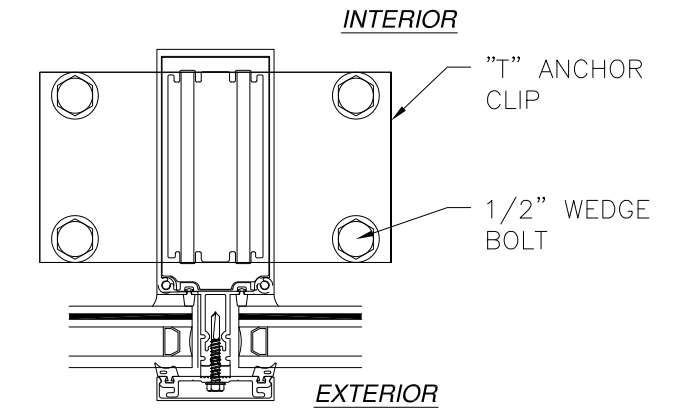
| REVISIONS |             |      |          |
|-----------|-------------|------|----------|
| REV       | DESCRIPTION | DATE | APPROVED |
|           |             |      |          |



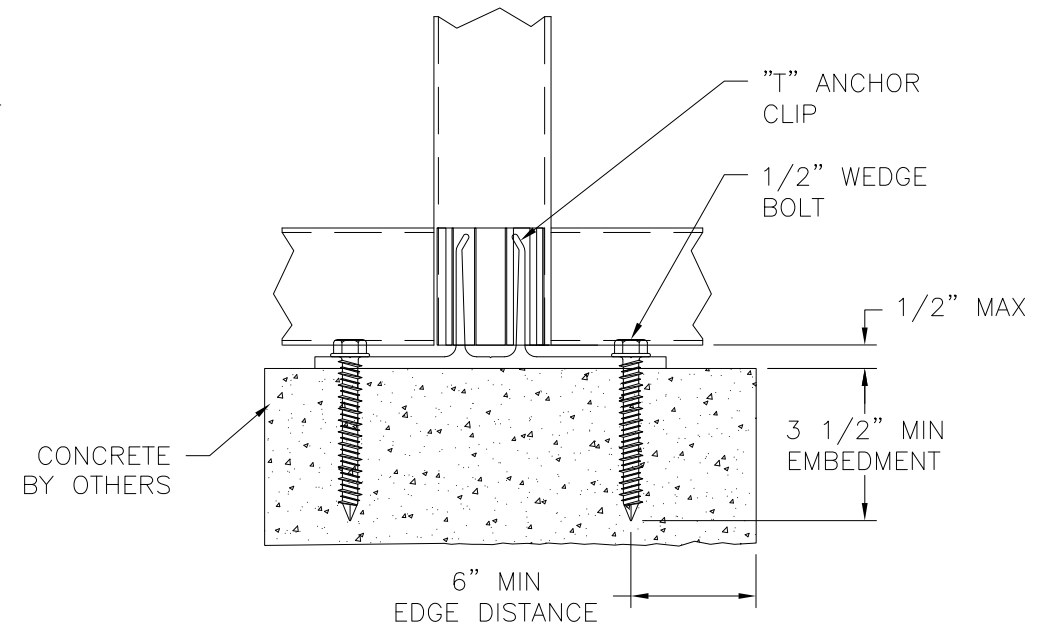
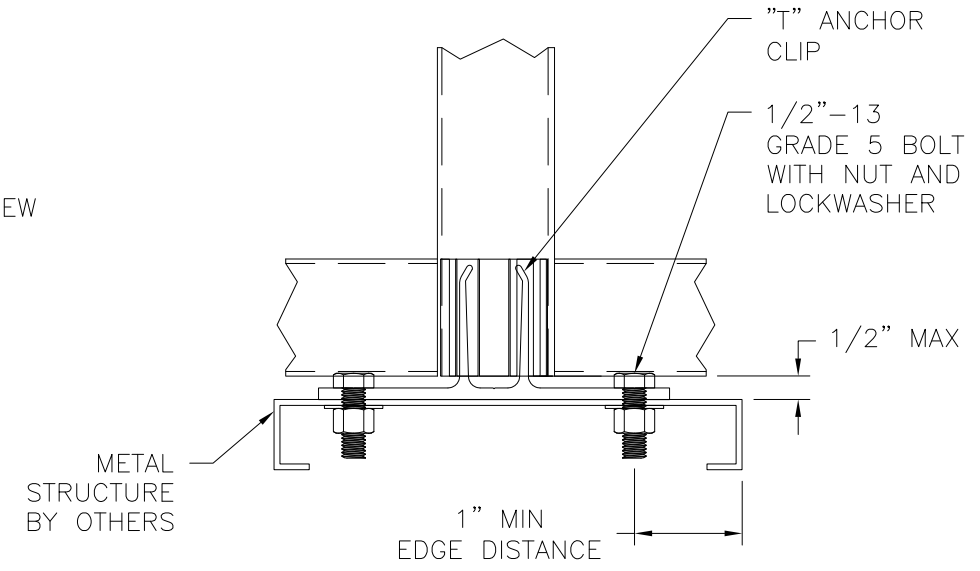
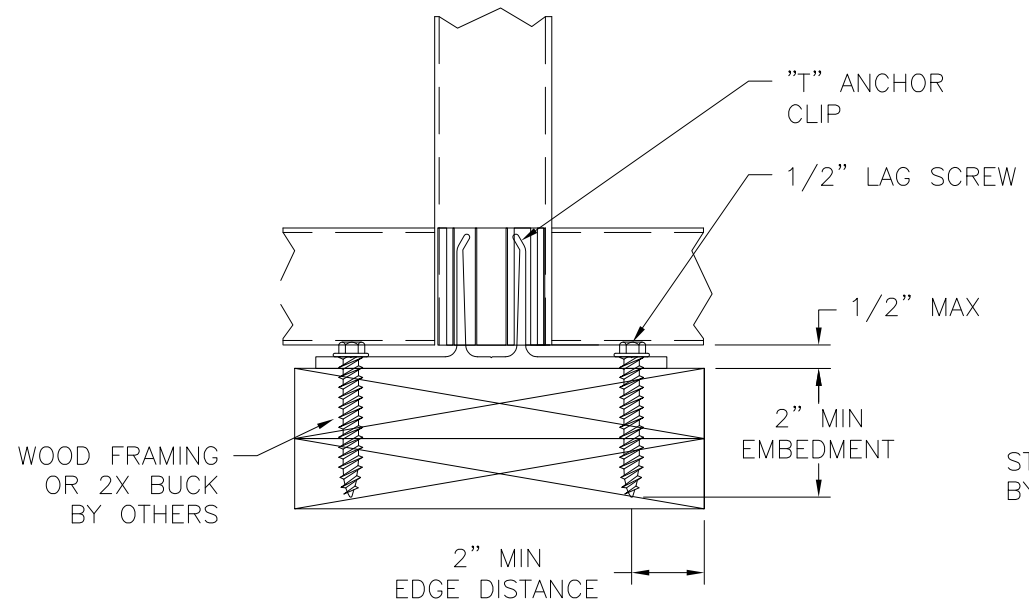
**MULLION INSTALLATION DETAIL  
WITH "T" ANCHOR CLIP  
WOOD FRAMING OR 2X BUCK INSTALLATION  
SILL SHOWN, HEAD SIMILAR  
SEE CHART #11 FOR RATINGS**



**MULLION INSTALLATION DETAIL  
WITH "T" ANCHOR CLIP  
METAL STRUCTURE INSTALLATION  
SILL SHOWN, HEAD SIMILAR  
SEE CHART #12 FOR RATINGS**



**MULLION INSTALLATION DETAIL  
WITH "T" ANCHOR CLIP  
CONCRETE INSTALLATION  
SILL SHOWN, HEAD SIMILAR  
SEE CHART #14 FOR RATINGS**



- NOTES:**
1. INTERIOR AND EXTERIOR FINISHES, BY OTHERS, NOT SHOWN FOR CLARITY.
  2. PERIMETER AND JOINT SEALANT BY OTHERS TO BE DESIGNED IN ACCORDANCE WITH ASTM E2112

**US ALUMINUM**  
DIVISION OF C.R. LAURENCE CO., INC.  
2503 E. VERNON AVE., LOS ANGELES, CA 90058

STORM WALL XL HURRICANE RESISTANT  
CURTAIN WALL - WET GLAZED - LMI HVHZ  
INSTALLATION DETAILS

|                |                     |                   |
|----------------|---------------------|-------------------|
| DRAWN:<br>R.L. | DWG NO.<br>08-03020 | REV<br>-          |
| SCALE<br>NTS   | DATE<br>12/07/16    | SHEET<br>15 OF 25 |

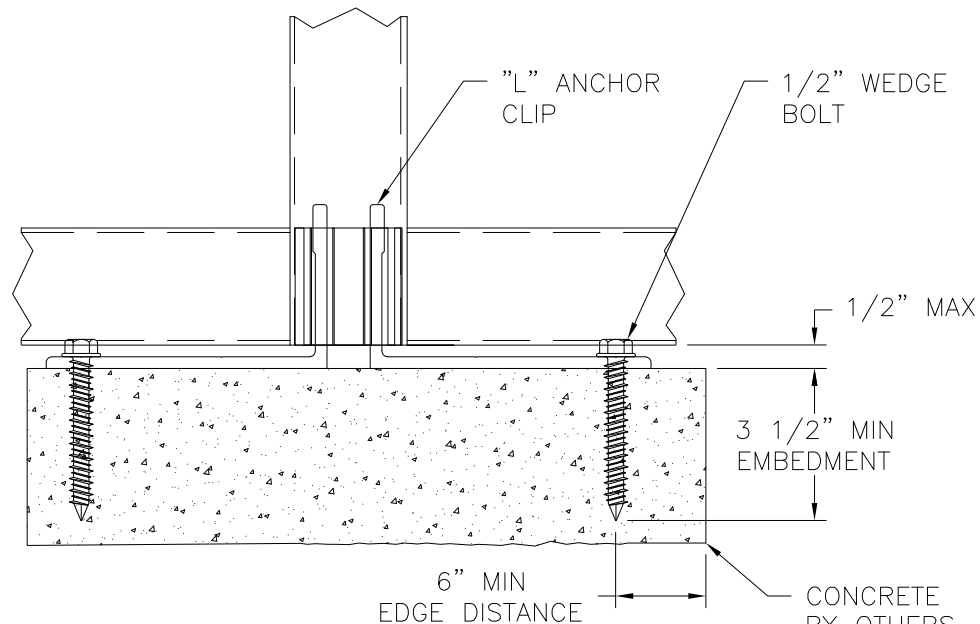
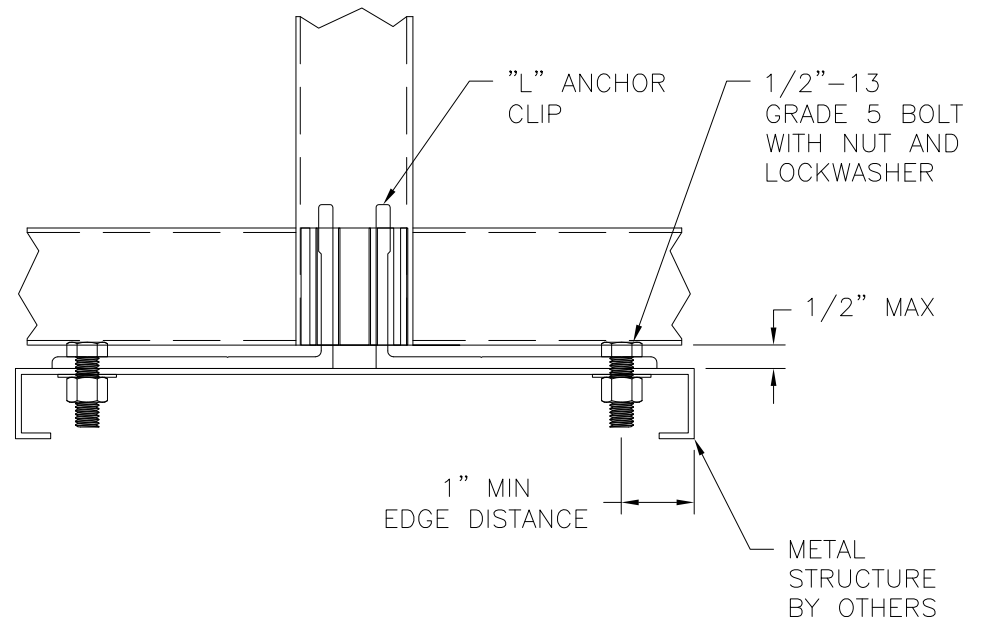
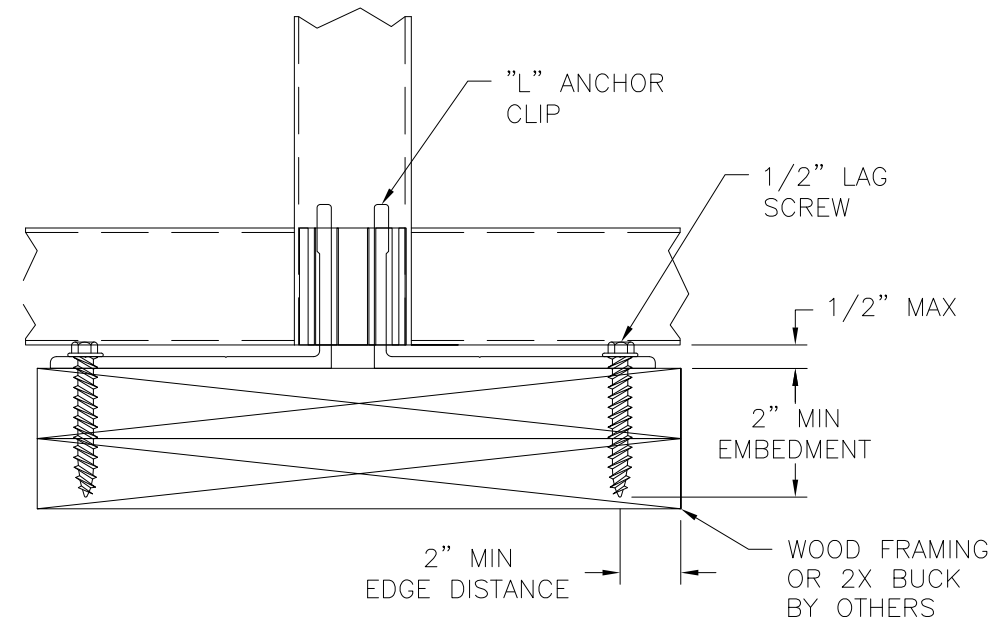
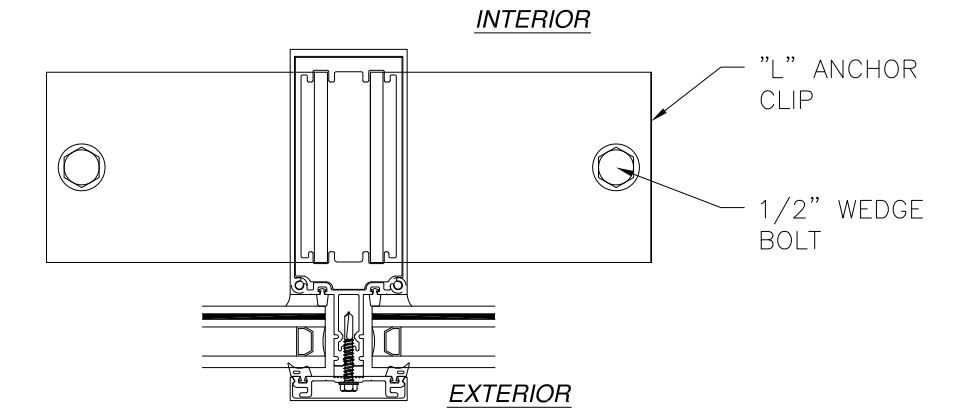
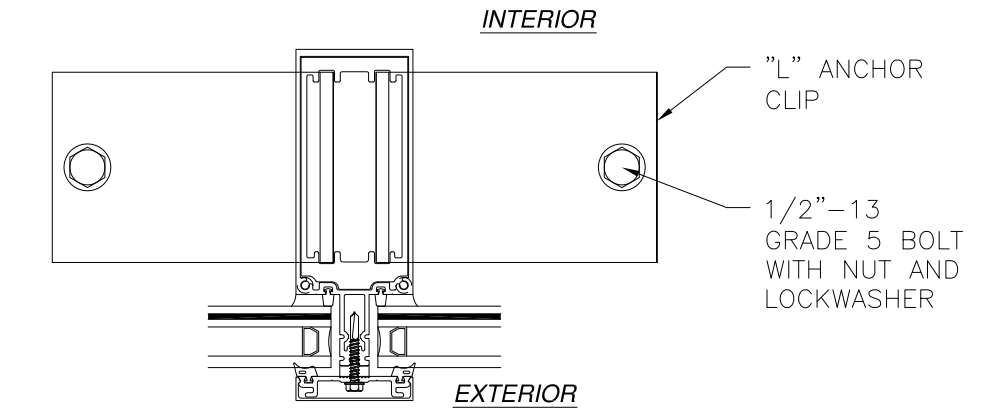
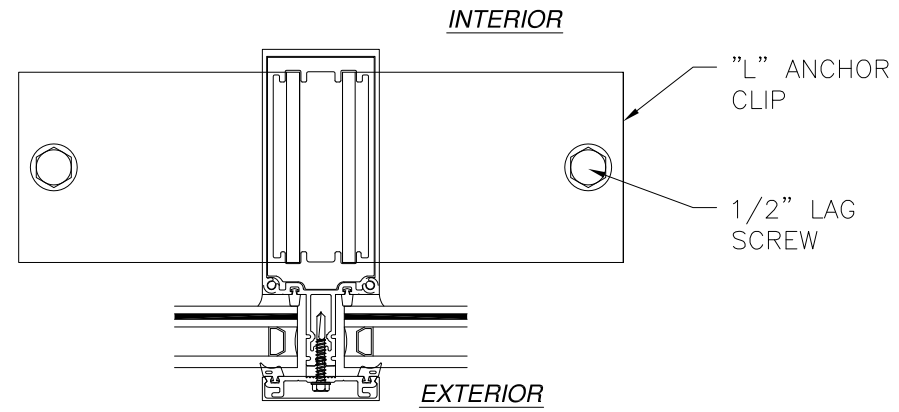
L. ROBERTO LOMAS P.E.  
1432 WOODFORD RD LEWISVILLE, NC 27023  
434-688-0609 rllomas@rlomaspe.com

SIGNED: 10/27/2017



Luis R. Lomas P.E.  
FL No.: 62514

| REVISIONS |             |      |          |
|-----------|-------------|------|----------|
| REV       | DESCRIPTION | DATE | APPROVED |
|           |             |      |          |



**MULLION INSTALLATION DETAIL  
WITH "L" ANCHOR CLIP**  
WOOD FRAMING OR 2X BUCK INSTALLATION  
SILL SHOWN, HEAD SIMILAR  
SEE CHART #10 FOR RATINGS

**MULLION INSTALLATION DETAIL  
WITH "L" ANCHOR CLIP**  
METAL STRUCTURE INSTALLATION  
SILL SHOWN, HEAD SIMILAR  
SEE CHART #12 FOR RATINGS

**MULLION INSTALLATION DETAIL  
WITH "L" ANCHOR CLIP**  
CONCRETE INSTALLATION  
SILL SHOWN, HEAD SIMILAR  
SEE CHART #13 FOR RATINGS

- NOTES:
1. INTERIOR AND EXTERIOR FINISHES, BY OTHERS, NOT SHOWN FOR CLARITY.
  2. PERIMETER AND JOINT SEALANT BY OTHERS TO BE DESIGNED IN ACCORDANCE WITH ASTM E2112

SIGNED: 10/27/2017

**US ALUMINUM**  
DIVISION OF C.R. LAURENCE CO., INC.  
2503 E. VERNON AVE., LOS ANGELES, CA 90058

STORM WALL XL HURRICANE RESISTANT  
CURTAIN WALL - WET GLAZED - LMI HVHZ  
INSTALLATION DETAILS

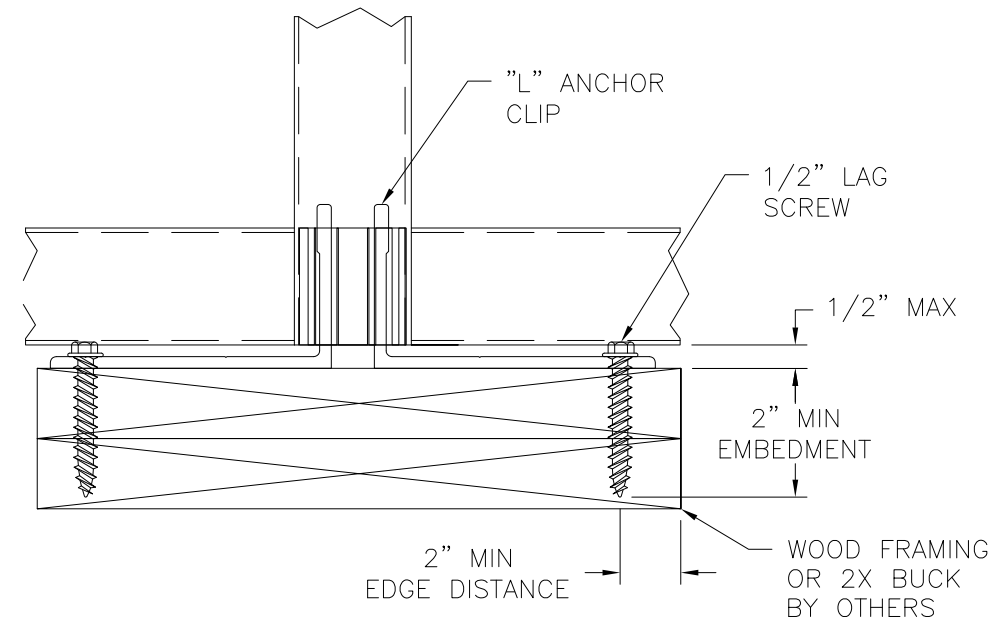
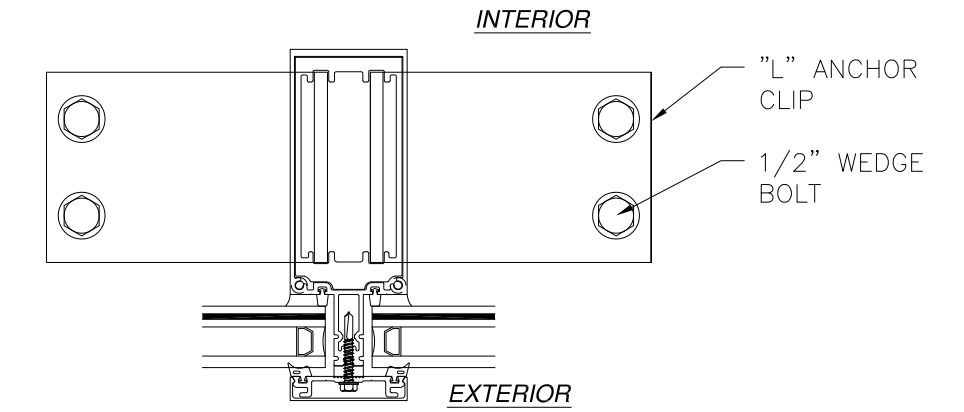
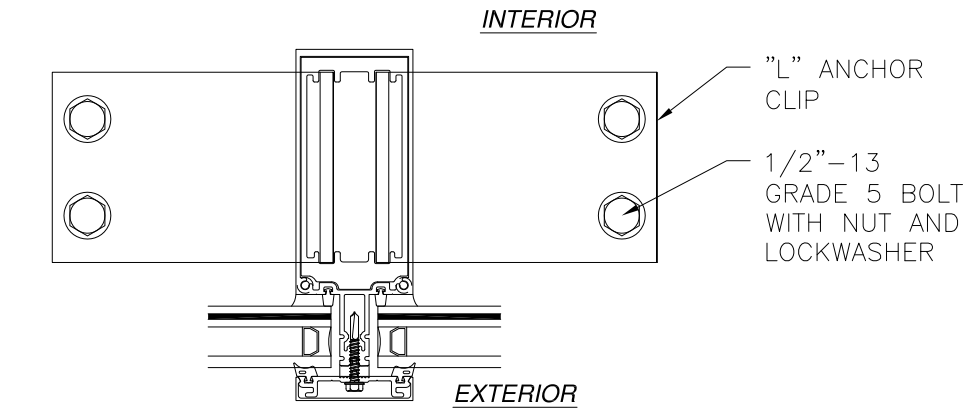
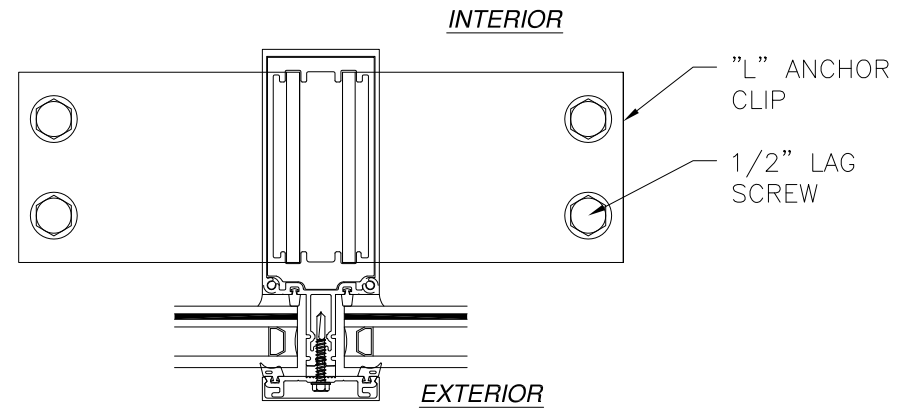
|                |                     |                   |
|----------------|---------------------|-------------------|
| DRAWN:<br>R.L. | DWG NO.<br>08-03020 | REV<br>-          |
| SCALE<br>NTS   | DATE<br>12/07/16    | SHEET<br>16 OF 25 |

L. ROBERTO LOMAS P.E.  
1432 WOODFORD RD LEWISVILLE, NC 27023  
434-688-0609 rllomas@rlomaspe.com

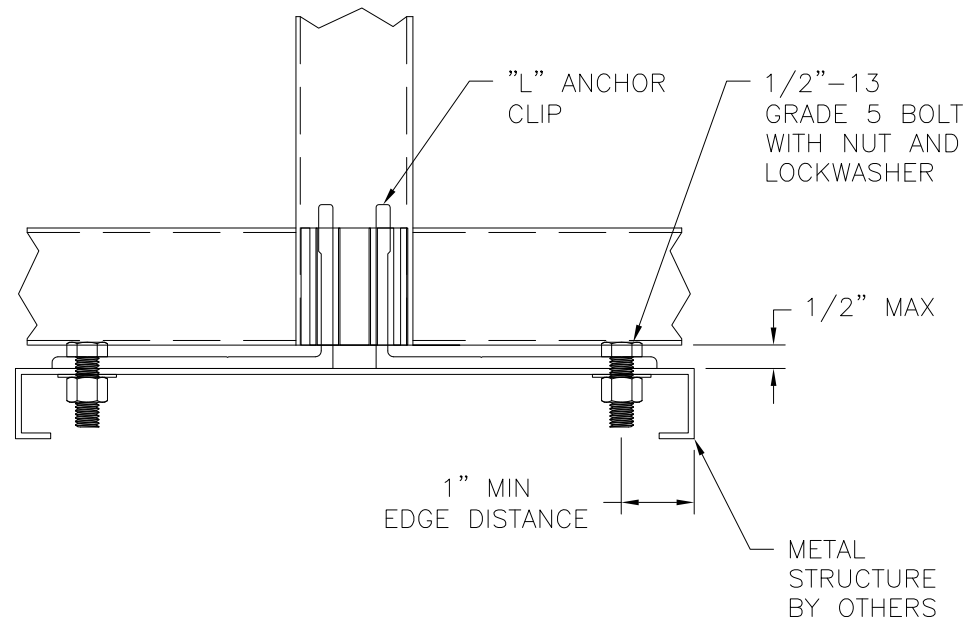
Luis R. Lomas P.E.  
FL No.: 62514



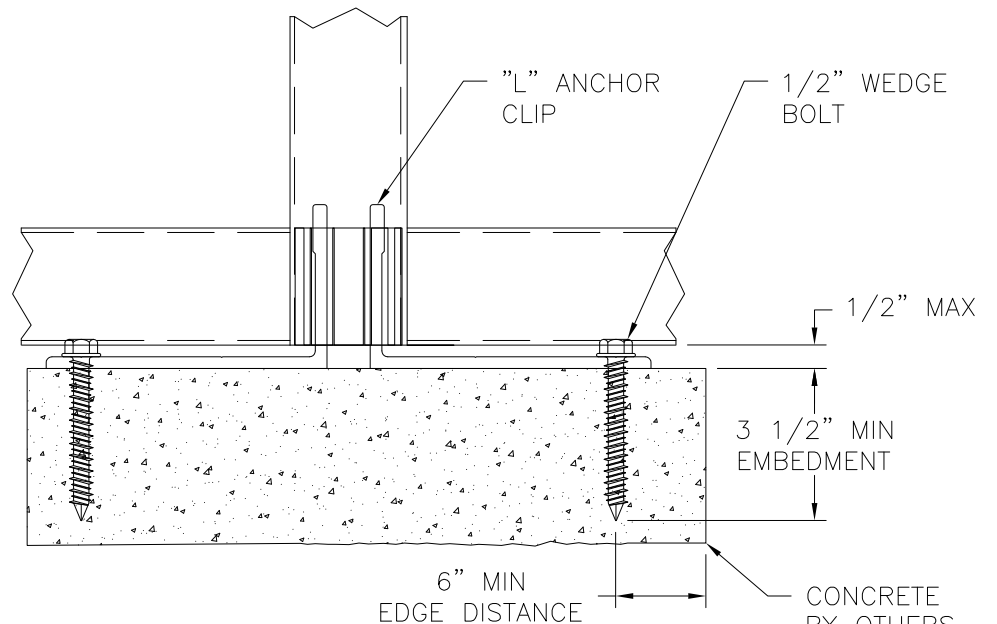
| REVISIONS |             |      |          |
|-----------|-------------|------|----------|
| REV       | DESCRIPTION | DATE | APPROVED |
|           |             |      |          |



**MULLION INSTALLATION DETAIL WITH "L" ANCHOR CLIP**  
WOOD FRAMING OR 2X BUCK INSTALLATION  
SILL SHOWN, HEAD SIMILAR  
SEE CHART #11 FOR RATINGS



**MULLION INSTALLATION DETAIL WITH "L" ANCHOR CLIP**  
METAL STRUCTURE INSTALLATION  
SILL SHOWN, HEAD SIMILAR  
SEE CHART #12 FOR RATINGS



**MULLION INSTALLATION DETAIL WITH "L" ANCHOR CLIP**  
CONCRETE INSTALLATION  
SILL SHOWN, HEAD SIMILAR  
SEE CHART #14 FOR RATINGS

- NOTES:
1. INTERIOR AND EXTERIOR FINISHES, BY OTHERS, NOT SHOWN FOR CLARITY.
  2. PERIMETER AND JOINT SEALANT BY OTHERS TO BE DESIGNED IN ACCORDANCE WITH ASTM E2112

SIGNED: 10/27/2017

**US ALUMINUM**  
DIVISION OF C.R. LAURENCE CO., INC.  
2503 E. VERNON AVE., LOS ANGELES, CA 90058

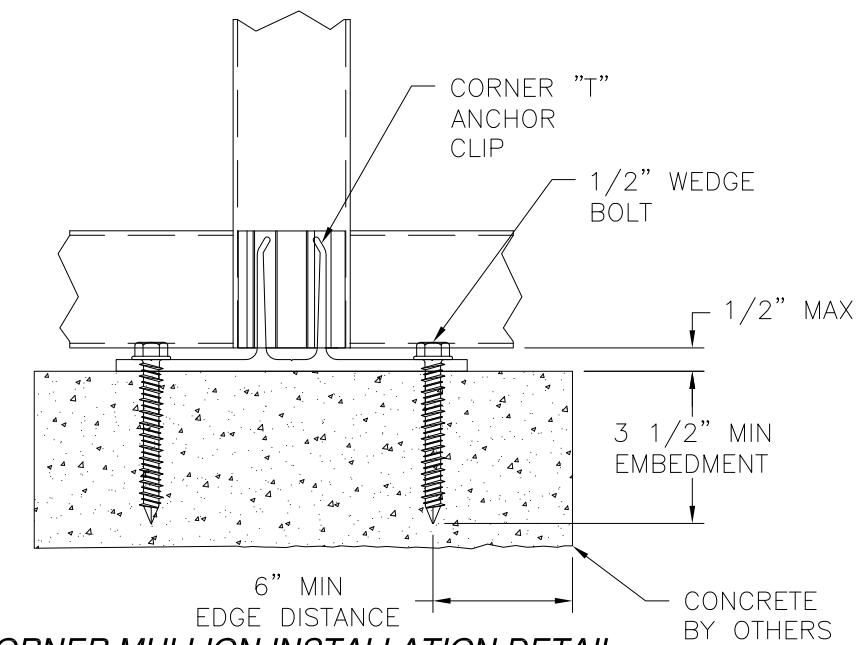
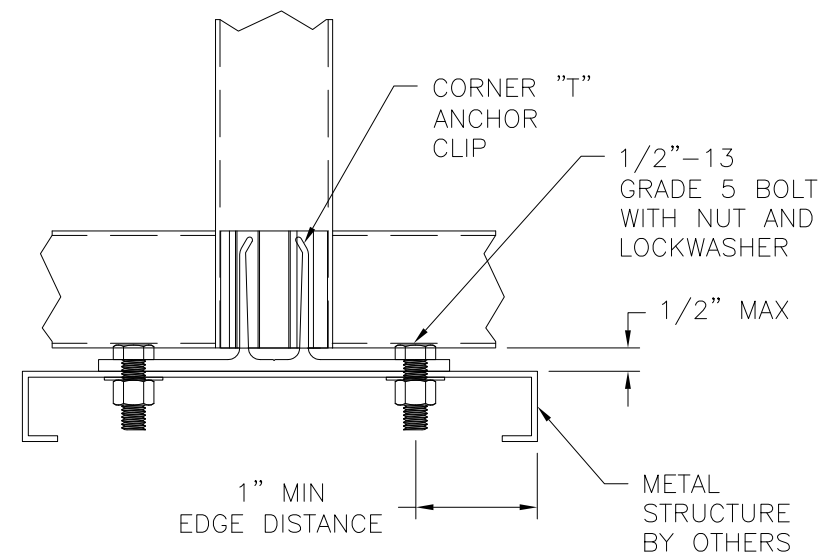
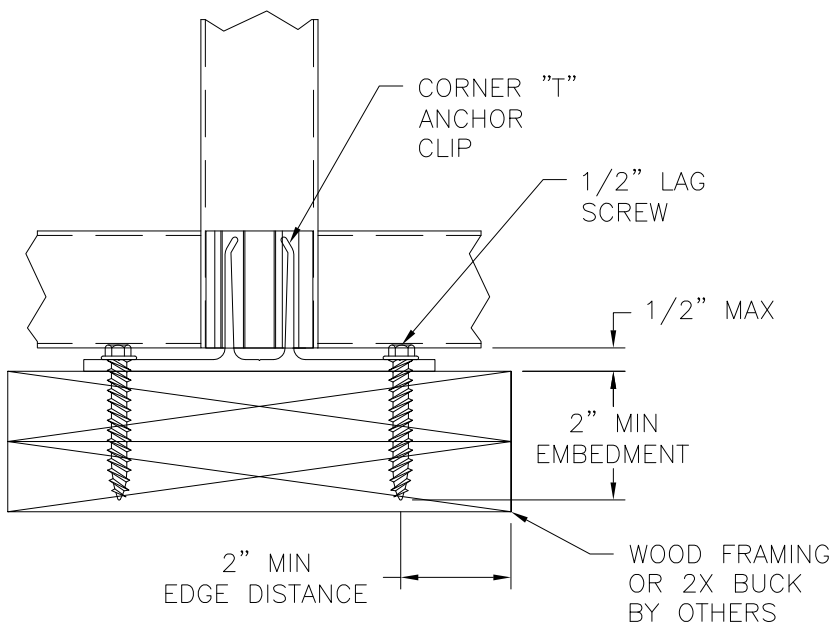
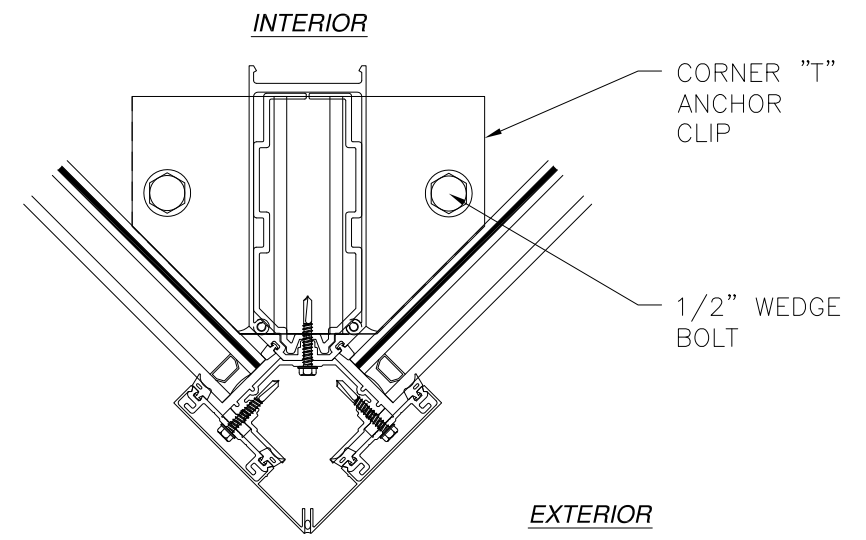
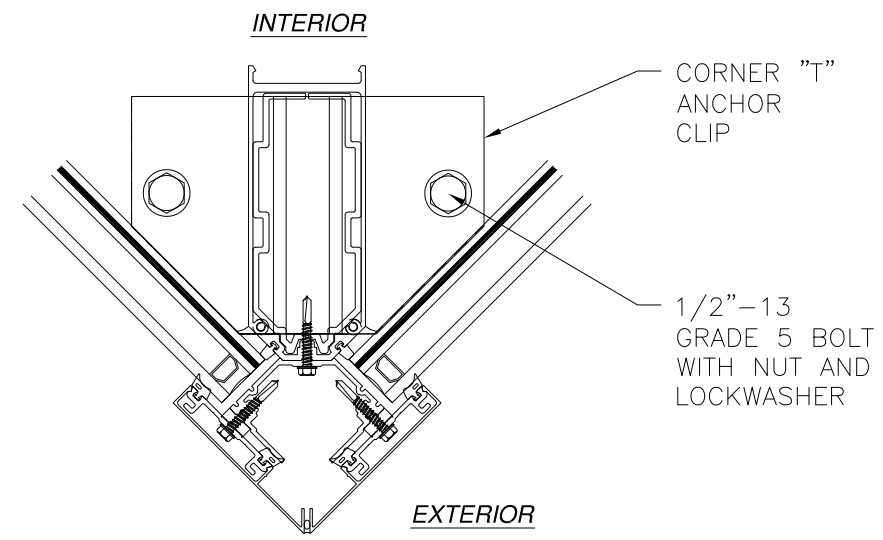
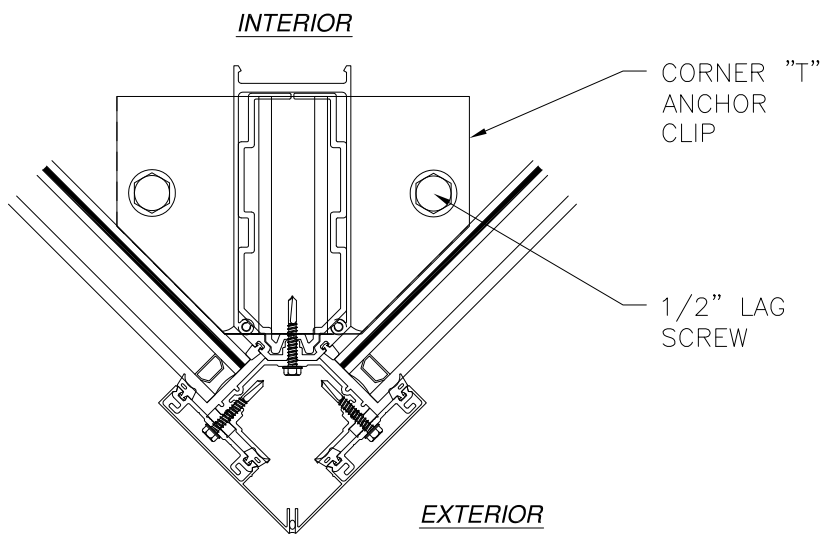
STORM WALL XL HURRICANE RESISTANT  
CURTAIN WALL - WET GLAZED - LMI HVHZ  
INSTALLATION DETAILS

|                |                     |                   |
|----------------|---------------------|-------------------|
| DRAWN:<br>R.L. | DWG NO.<br>08-03020 | REV<br>-          |
| SCALE<br>NTS   | DATE<br>12/07/16    | SHEET<br>17 OF 25 |

L. ROBERTO LOMAS P.E.  
1432 WOODFORD RD LEWISVILLE, NC 27023  
434-688-0609 rllomas@rlomaspe.com

Luis R. Lomas P.E.  
FL No.: 62514

| REVISIONS |             |      |          |
|-----------|-------------|------|----------|
| REV       | DESCRIPTION | DATE | APPROVED |
|           |             |      |          |



**CORNER MULLION INSTALLATION DETAIL WITH "T" ANCHOR CLIP**  
**WOOD FRAMING OR 2X BUCK INSTALLATION**  
 SILL SHOWN, HEAD SIMILAR  
 SEE CHART #10 FOR RATINGS

**CORNER MULLION INSTALLATION DETAIL WITH "T" ANCHOR CLIP**  
**METAL STRUCTURE INSTALLATION**  
 SILL SHOWN, HEAD SIMILAR  
 SEE CHART #12 FOR RATINGS

**CORNER MULLION INSTALLATION DETAIL WITH "T" ANCHOR CLIP**  
**CONCRETE INSTALLATION**  
 SILL SHOWN, HEAD SIMILAR  
 SEE CHART #13 FOR RATINGS

SIGNED: 10/27/2017

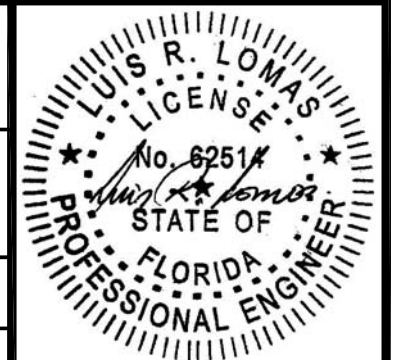
- NOTES:
1. INTERIOR AND EXTERIOR FINISHES, BY OTHERS, NOT SHOWN FOR CLARITY.
  2. PERIMETER AND JOINT SEALANT BY OTHERS TO BE DESIGNED IN ACCORDANCE WITH ASTM E2112

**US ALUMINUM**  
 DIVISION OF C.R. LAURENCE CO., INC.  
 2503 E. VERNON AVE., LOS ANGELES, CA 90058

STORM WALL XL HURRICANE RESISTANT  
 CURTAIN WALL - WET GLAZED - LMI HVHZ  
 INSTALLATION DETAILS

|                |                     |                   |
|----------------|---------------------|-------------------|
| DRAWN:<br>R.L. | DWG NO.<br>08-03020 | REV<br>-          |
| SCALE<br>NTS   | DATE<br>12/07/16    | SHEET<br>18 OF 25 |

L. ROBERTO LOMAS P.E.  
 1432 WOODFORD RD LEWISVILLE, NC 27023  
 434-688-0609 rllomas@rlomaspe.com

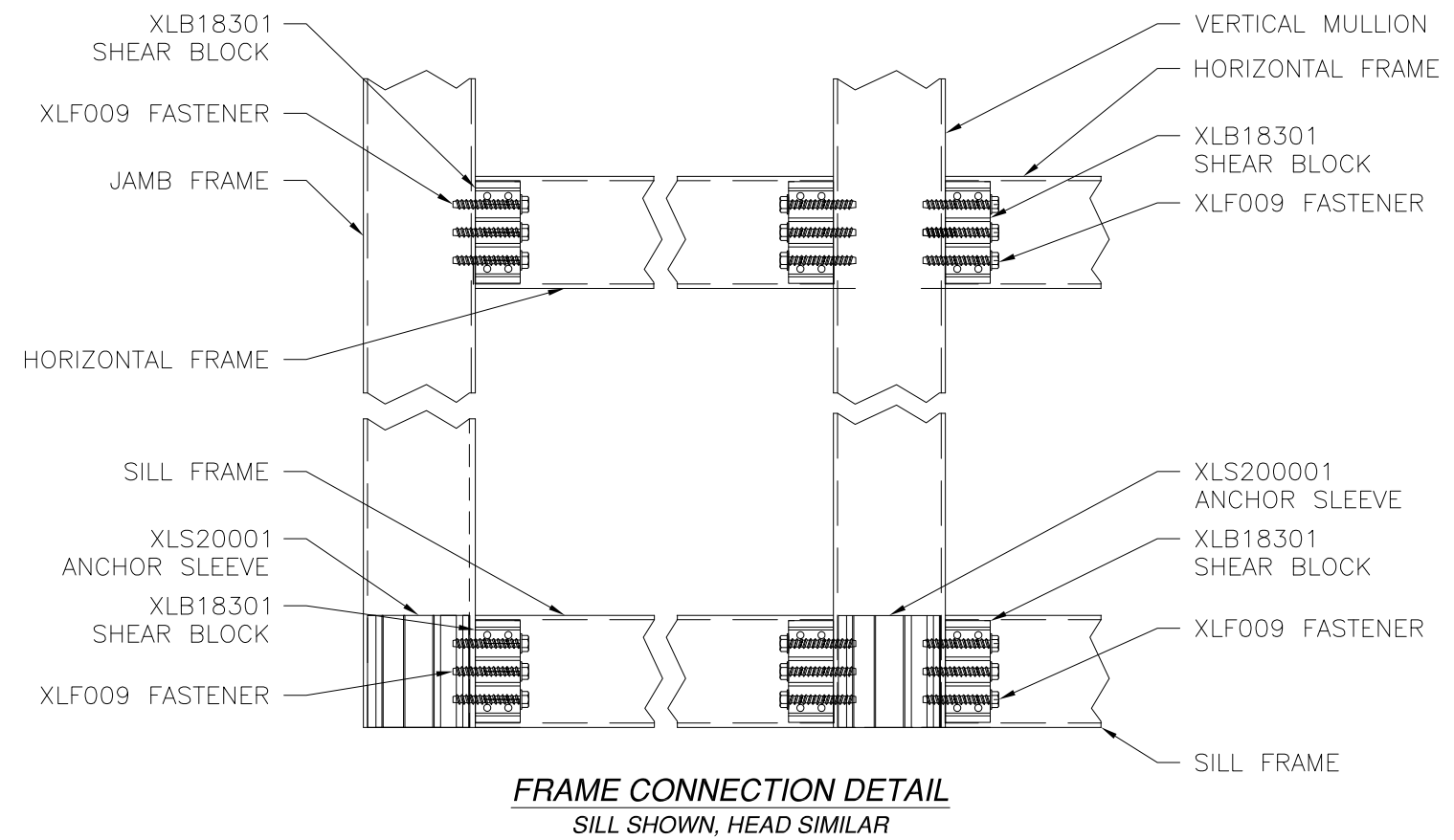


Luis R. Lomas P.E.  
 FL No.: 62514

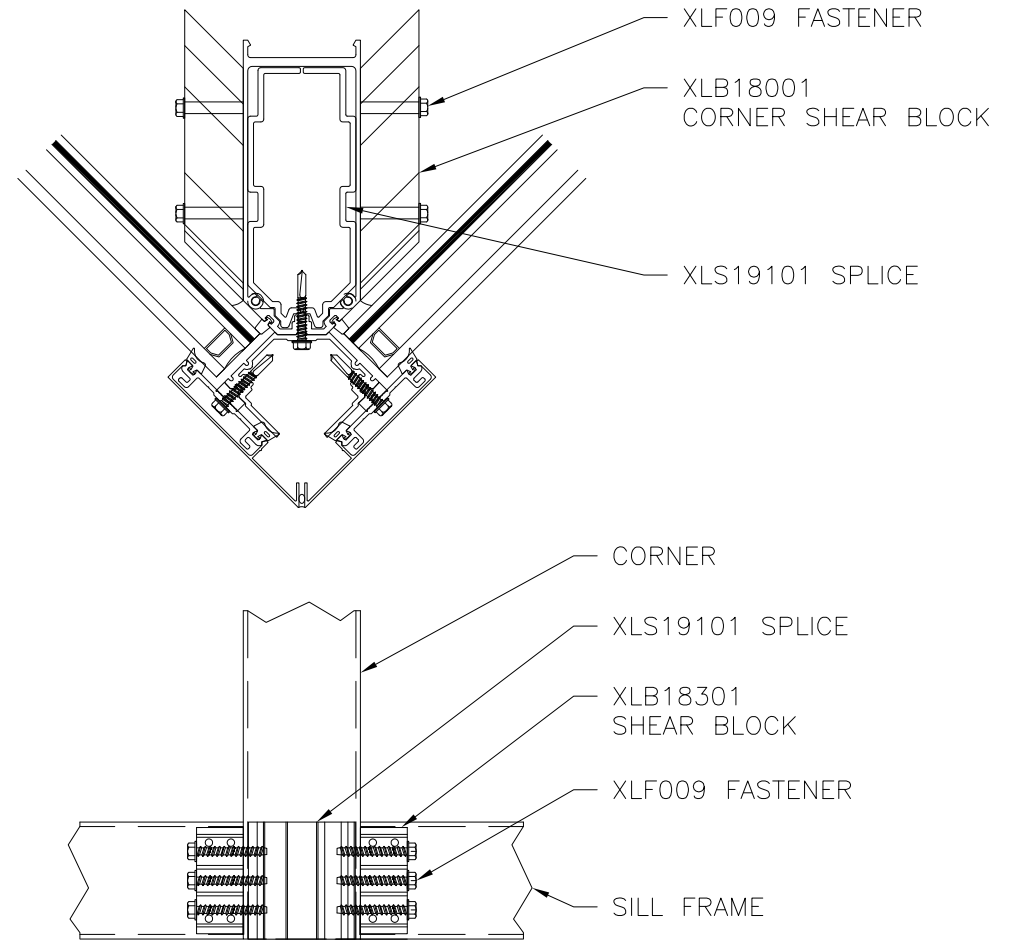




| REVISIONS |             |      |          |
|-----------|-------------|------|----------|
| REV       | DESCRIPTION | DATE | APPROVED |
|           |             |      |          |



**FRAME CONNECTION DETAIL**  
SILL SHOWN, HEAD SIMILAR



**CORNER FRAME CONNECTION DETAIL**  
SILL SHOWN, HEAD SIMILAR

SIGNED: 10/27/2017

**US ALUMINUM**  
DIVISION OF C.R. LAURENCE CO., INC.  
2503 E. VERNON AVE., LOS ANGELES, CA 90058

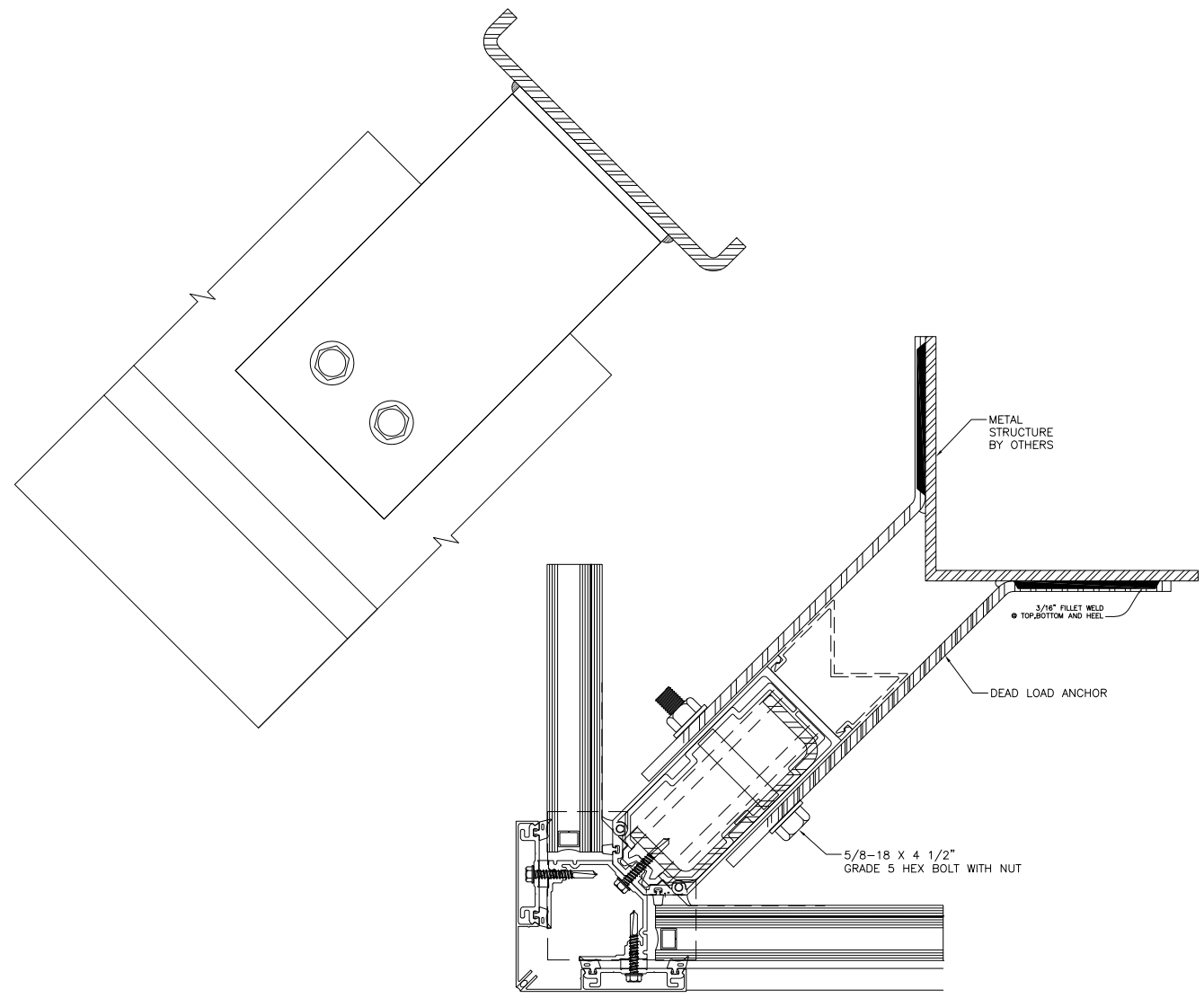
STORM WALL XL HURRICANE RESISTANT  
CURTAIN WALL – WET GLAZED – LMI HVHZ  
INSTALLATION DETAILS

|                |                     |                   |
|----------------|---------------------|-------------------|
| DRAWN:<br>R.L. | DWG NO.<br>08-03020 | REV<br>-          |
| SCALE<br>NTS   | DATE<br>12/07/16    | SHEET<br>21 OF 25 |

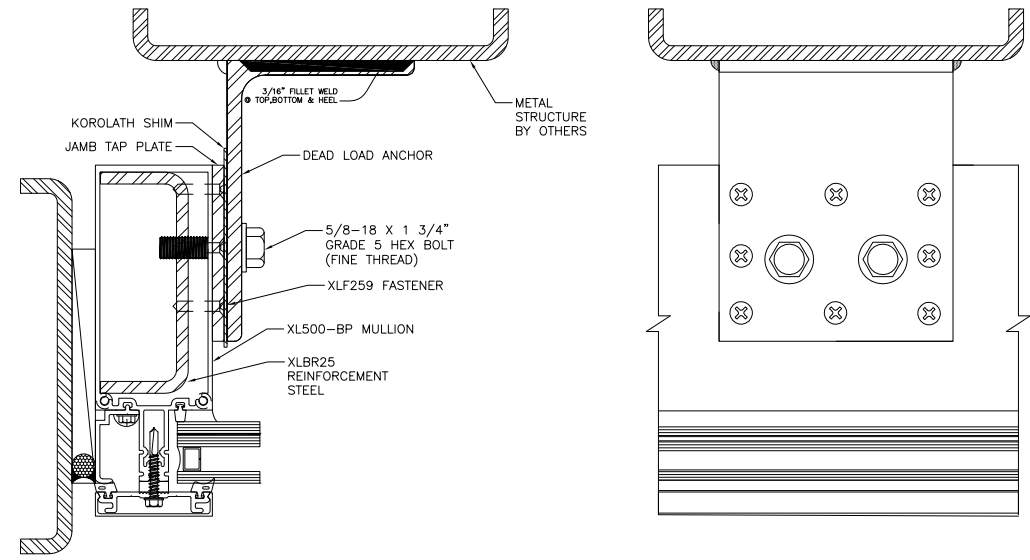
L. ROBERTO LOMAS P.E.  
1432 WOODFORD RD LEWISVILLE, NC 27023  
434-688-0609 rllomas@rlomaspe.com

Luis R. Lomas P.E.  
FL No.: 62514

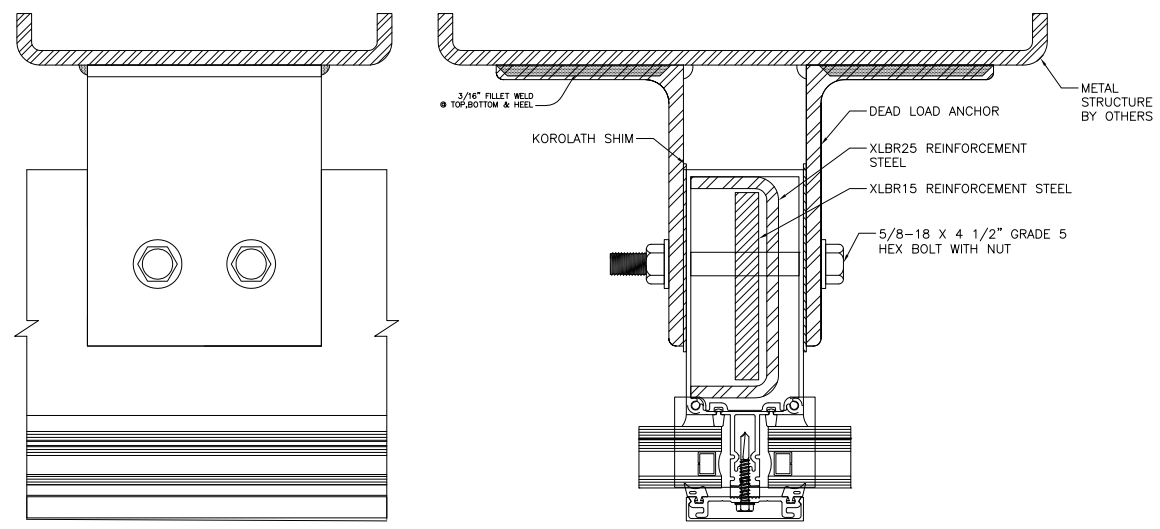
| REVISIONS |             |      |          |
|-----------|-------------|------|----------|
| REV       | DESCRIPTION | DATE | APPROVED |
|           |             |      |          |



**CORNER DEAD LOAD ANCHORS  
AT MIDSPAN DETAIL**



**JAMB DEAD LOAD ANCHORS  
AT MIDSPAN DETAIL**



**MULLION DEAD LOAD ANCHORS  
AT MIDSPAN DETAIL**

SIGNED: 10/27/2017

**US ALUMINUM**  
 DIVISION OF C.R. LAURENCE CO., INC.  
 2503 E. VERNON AVE., LOS ANGELES, CA 90058

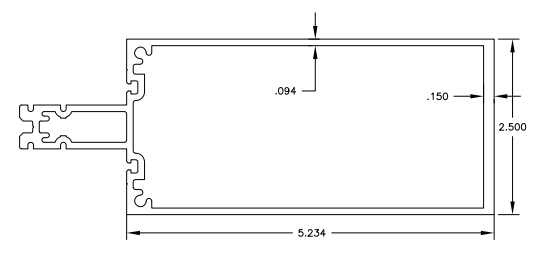
STORM WALL XL HURRICANE RESISTANT  
 CURTAIN WALL – WET GLAZED – LMI HVHZ  
 INSTALLATION DETAILS

|                |                     |                |
|----------------|---------------------|----------------|
| DRAWN:<br>R.L. | DWG NO.<br>08-03020 | REV<br>-       |
| SCALE NTS      | DATE 12/07/16       | SHEET 22 OF 25 |

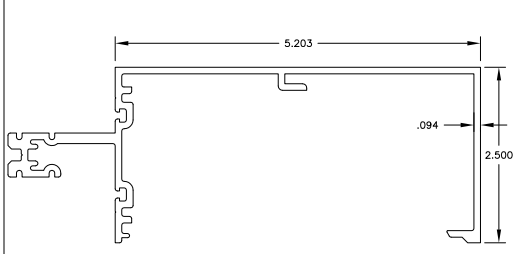
L. ROBERTO LOMAS P.E.  
 1432 WOODFORD RD LEWISVILLE, NC 27023  
 434-688-0609 rllomas@rlomaspe.com

Luis R. Lomas P.E.  
 FL No.: 62514

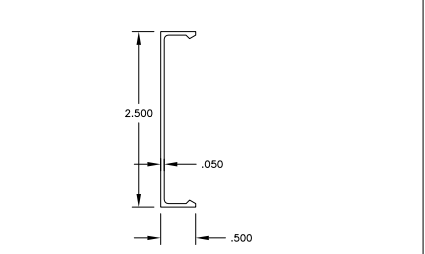
| REVISIONS |             |      |          |
|-----------|-------------|------|----------|
| REV       | DESCRIPTION | DATE | APPROVED |



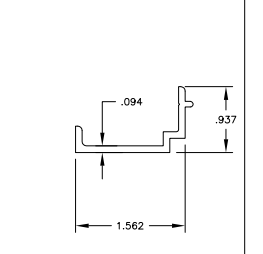
XL500-BP MULLION



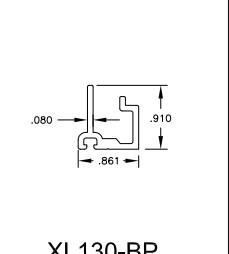
XL532-BP ROLL OVER HORIZONTAL



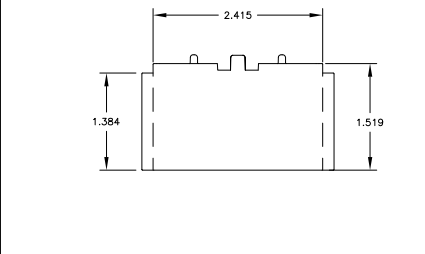
XL110-BP FACE CAP



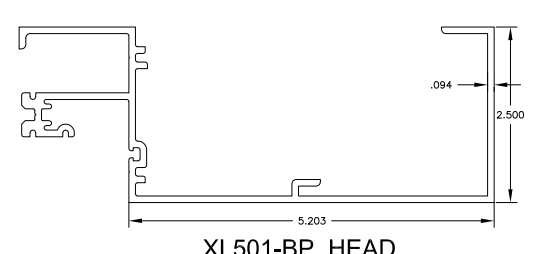
XL122-BP FILLER



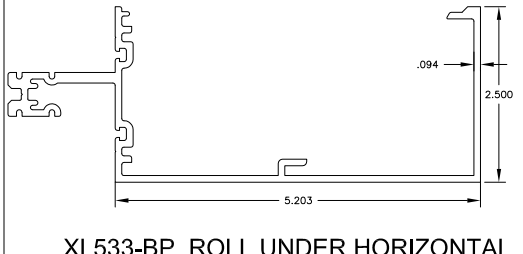
XL130-BP ADAPTOR



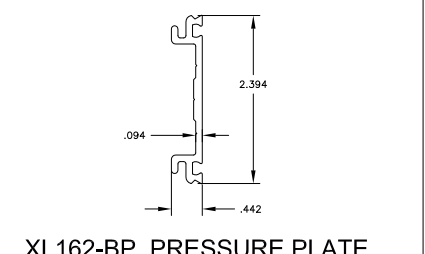
XLD350 SSG BRIDGE



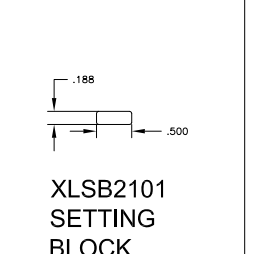
XL501-BP HEAD



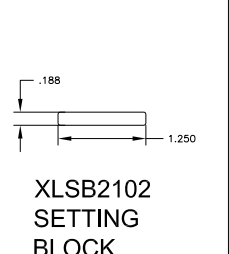
XL533-BP ROLL UNDER HORIZONTAL



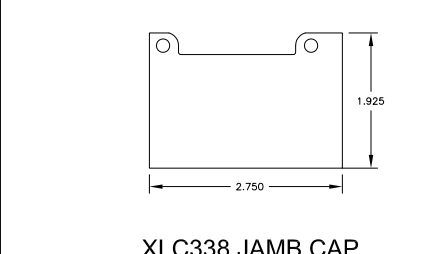
XL162-BP PRESSURE PLATE



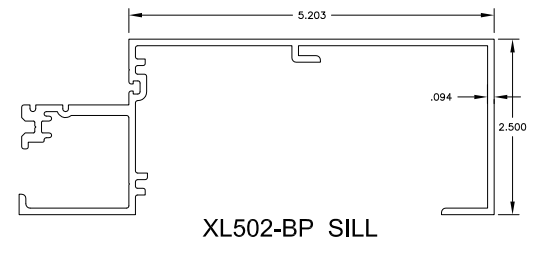
XLSB2101 SETTING BLOCK



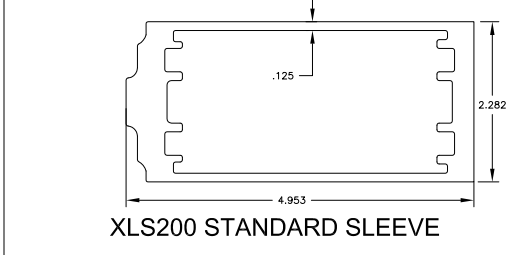
XLSB2102 SETTING BLOCK



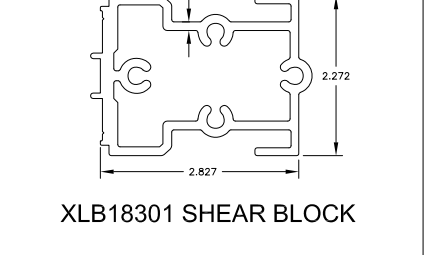
XLC338 JAMB CAP



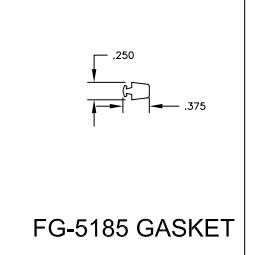
XL502-BP SILL



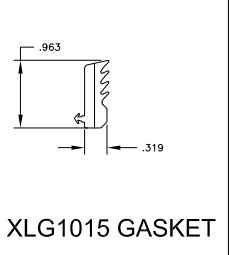
XLS200 STANDARD SLEEVE



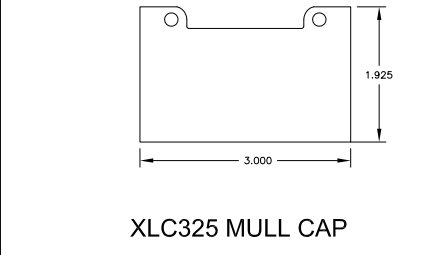
XLB18301 SHEAR BLOCK



FG-5185 GASKET



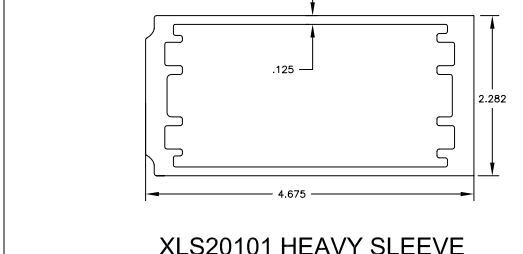
XLG1015 GASKET



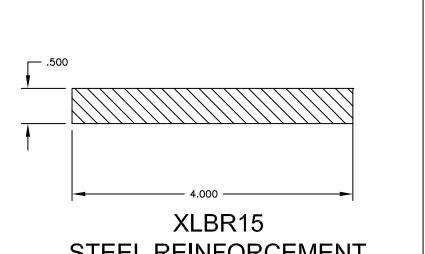
XLC325 MULL CAP



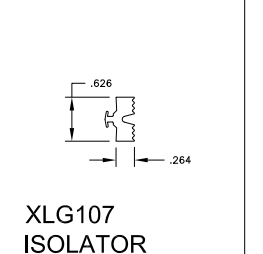
XL504-BP SSG MULLION



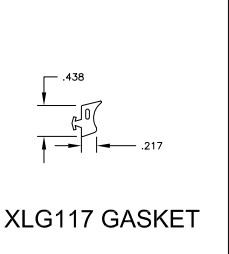
XLS20101 HEAVY SLEEVE



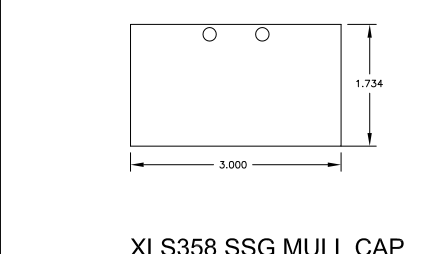
XLBR15 STEEL REINFORCEMENT



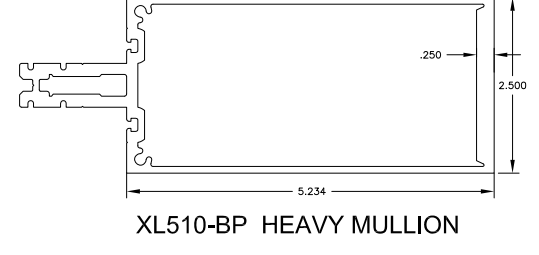
XLG107 ISOLATOR



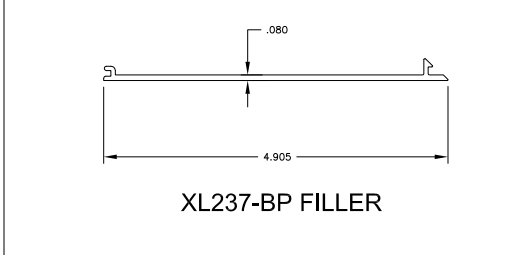
XLG117 GASKET



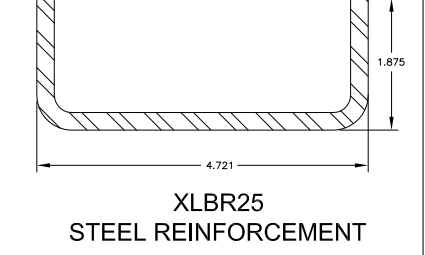
XLS358 SSG MULL CAP



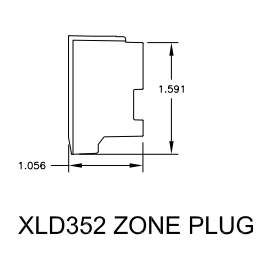
XL510-BP HEAVY MULLION



XL237-BP FILLER



XLBR25 STEEL REINFORCEMENT



XLD352 ZONE PLUG

SIGNED: 10/27/2017

**US ALUMINUM**  
 DIVISION OF C.R. LAURENCE CO., INC.  
 2503 E. VERNON AVE., LOS ANGELES, CA 90058

STORM WALL XL HURRICANE RESISTANT  
 CURTAIN WALL - WET GLAZED - LMI HVHZ  
 COMPONENTS

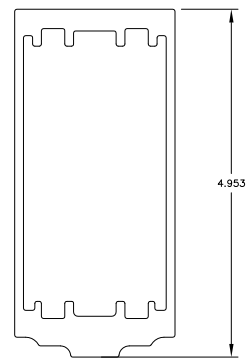
|                |                     |                   |
|----------------|---------------------|-------------------|
| DRAWN:<br>R.L. | DWG NO.<br>08-03020 | REV<br>-          |
| SCALE<br>NTS   | DATE<br>12/07/16    | SHEET<br>23 OF 25 |

L. ROBERTO LOMAS P.E.  
 1432 WOODFORD RD LEWISVILLE, NC 27023  
 434-688-0609 rllomas@rlomaspe.com

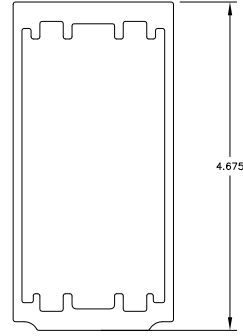
L. ROBERTO LOMAS  
 LICENSE No. 62514  
 STATE OF FLORIDA  
 PROFESSIONAL ENGINEER

Luis R. Lomas P.E.  
 FL No.: 62514

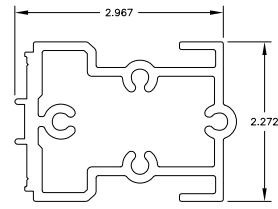
| REVISIONS |             |      |          |
|-----------|-------------|------|----------|
| REV       | DESCRIPTION | DATE | APPROVED |
|           |             |      |          |



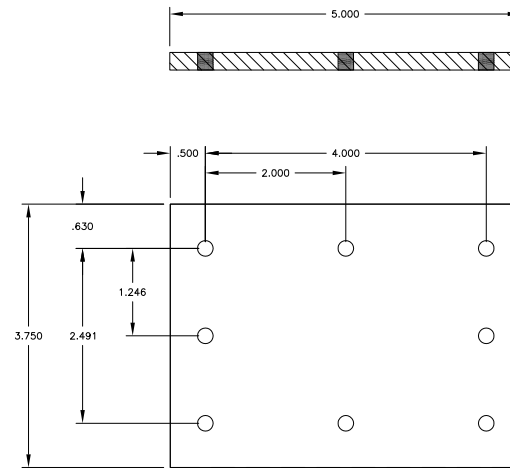
XLS20001  
STANDARD ANCHOR SLEEVE



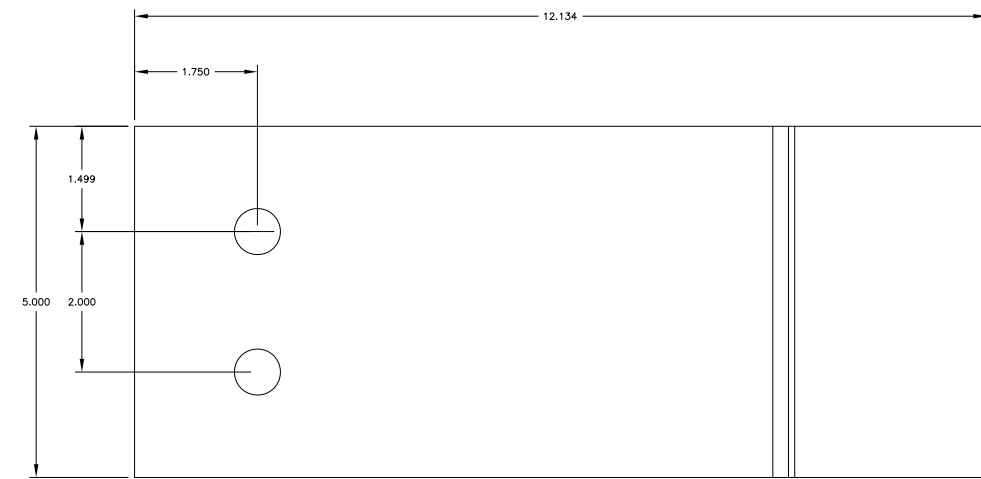
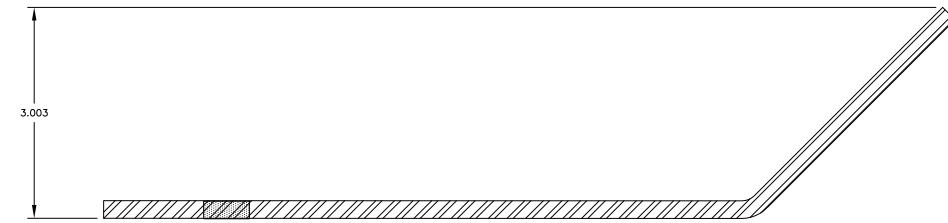
XLS20101 HEAVY  
ANCHOR SLEEVE



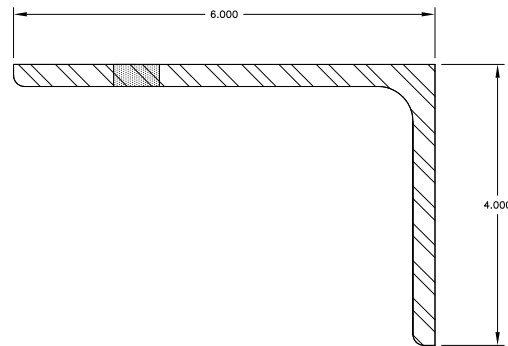
XLB18301  
SHEAR BLOCK



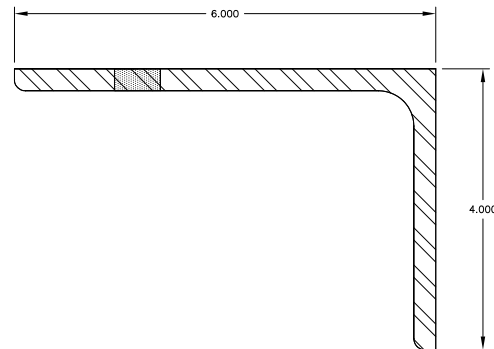
JAMB TAP PLATE  
1/4" STEEL



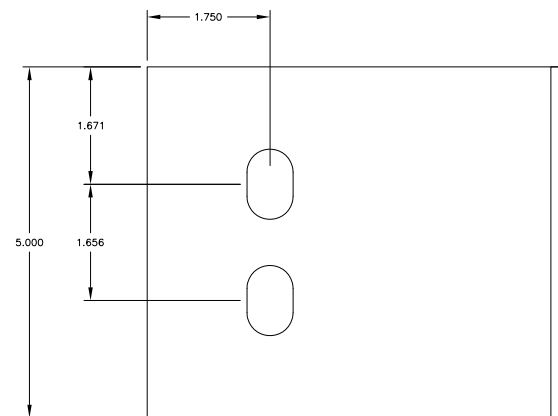
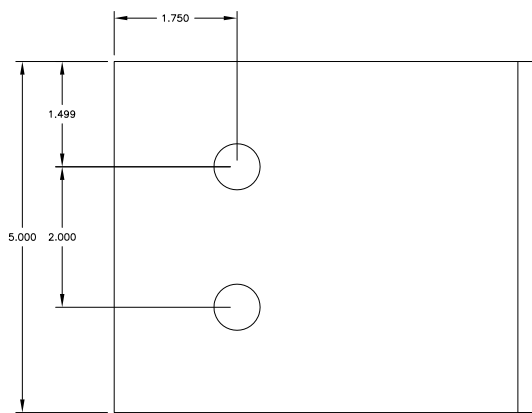
CORNER DEAD LOAD  
ANCHOR  
5/16" STEEL ANGLE



DEAD LOAD ANCHOR  
5/16" STEEL ANGLE



WIND LOAD ANCHOR  
5/16" STEEL ANGLE



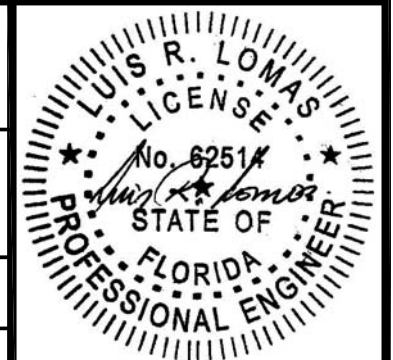
**US ALUMINUM**  
DIVISION OF C.R. LAURENCE CO., INC.  
2503 E. VERNON AVE., LOS ANGELES, CA 90058

STORM WALL XL HURRICANE RESISTANT  
CURTAIN WALL – WET GLAZED – LMI HVHZ  
COMPONENTS

|                |                     |                   |
|----------------|---------------------|-------------------|
| DRAWN:<br>R.L. | DWG NO.<br>08-03020 | REV<br>-          |
| SCALE<br>NTS   | DATE<br>12/07/16    | SHEET<br>24 OF 25 |

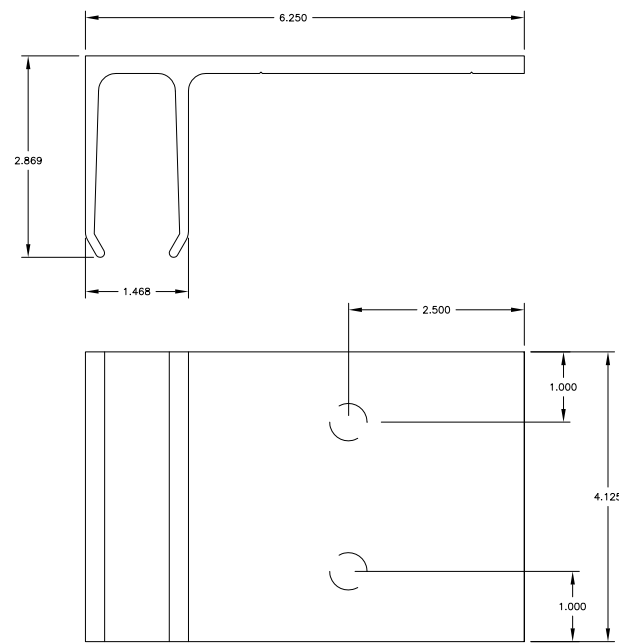
L. ROBERTO LOMAS P.E.  
1432 WOODFORD RD LEWISVILLE, NC 27023  
434-688-0609 rllomas@rlomaspe.com

SIGNED: 10/27/2017

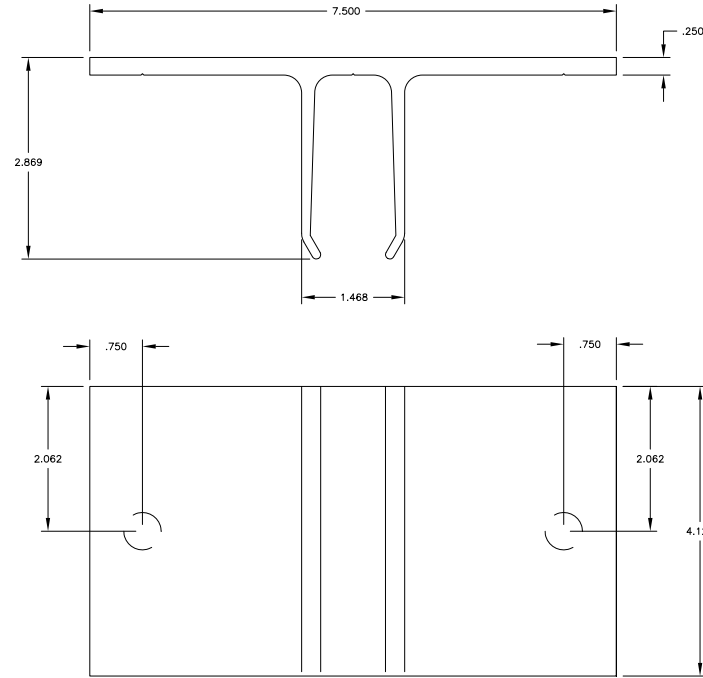


Luis R. Lomas P.E.  
FL No.: 62514

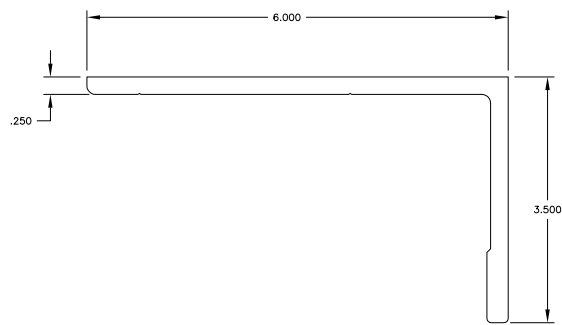




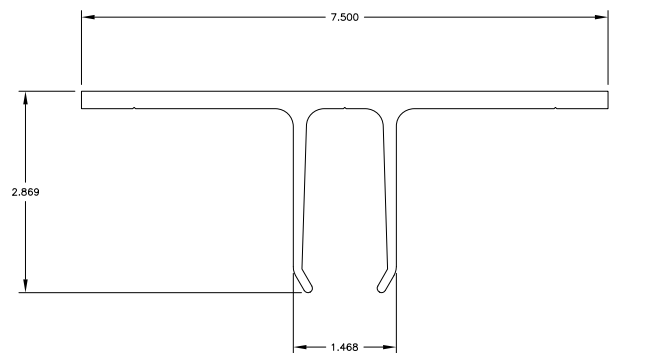
XLA10301 "F" ANCHOR CLIP  
6063-T6 ALUMINUM



XLA10501 "T" ANCHOR CLIP  
6063-T6 ALUMINUM



XLA17401 "L" ANCHOR CLIP  
6063-T6 ALUMINUM



XLA10503 CORNER "T" ANCHOR CLIP  
6063-T6 ALUMINUM

| REVISIONS |             |      |          |
|-----------|-------------|------|----------|
| REV       | DESCRIPTION | DATE | APPROVED |

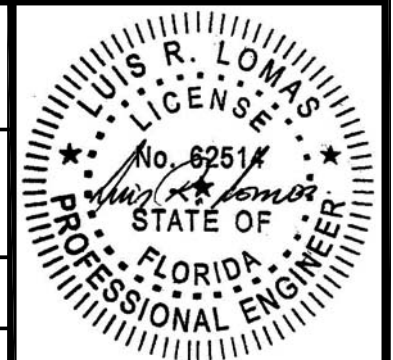
**US ALUMINUM**  
DIVISION OF C.R. LAURENCE CO., INC.  
2503 E. VERNON AVE., LOS ANGELES, CA 90058

STORM WALL XL HURRICANE RESISTANT  
CURTAIN WALL – WET GLAZED – LMI HVHZ  
COMPONENTS

|                |                     |                |
|----------------|---------------------|----------------|
| DRAWN:<br>R.L. | DWG NO.<br>08-03020 | REV<br>-       |
| SCALE NTS      | DATE 12/07/16       | SHEET 25 OF 25 |

L. ROBERTO LOMAS P.E.  
1432 WOODFORD RD LEWISVILLE, NC 27023  
434-688-0609 rllomas@rlomaspe.com

SIGNED: 10/27/2017



Luis R. Lomas P.E.  
FL No.: 62514