

# dormakaba USA, Inc.

## BEST ACCESS SERIES 45H & 47H MORTISE LOCKSETS WITH/WITHOUT DEADLOCK AND 48H & 49H MORTISE DEADLOCKS (COMPONENT APPROVAL)

### GENERAL NOTES:

- THIS PRODUCT HAS BEEN DESIGNED AND MANUFACTURED TO COMPLY WITH THE 6TH EDITION FLORIDA BUILDING CODE (FBC) INCLUDING PROVISIONS SET FORTH FOR HIGH-VELOCITY HURRICANE ZONES (HVHZ). THE PRODUCT IS RATED FOR LARGE AND SMALL MISSILE IMPACT AND HAS BEEN EVALUATED TO THE FOLLOWING TEST PROTOCOLS:
  - TAS 201-94
  - TAS 202-94
  - TAS 203-94
- STRIKES, HINGES, AND ALL APPLICABLE REINFORCEMENTS AS REQUIRED ON DETAIL DRAWING IN THIS APPROVAL.
- LOCKING HARDWARE SHALL BE INSTALLED AS PER MANUFACTURER'S INSTALLATION INSTRUCTIONS.
- ALL FASTENERS AND ASSOCIATED HARDWARE MUST BE MADE OF CORROSION RESISTANT MATERIAL OR HAVE A CORROSION RESISTANT COATING.
- STEEL COMPONENTS SHALL BE COATED OR COMPLY WITH CORROSION RESISTANCE PROTECTION IN CONFORMANCE WITH CHAPTER 22 OF THE FBC.
- QUALIFIED FUNCTION DESIGNATIONS FOR 45H OR 47H WITHOUT DEADBOLT: A, AT, D, R, RHB, LT, N, NX, C, CHB, INL, W, XR, XRB, ZD
- QUALIFIED FUNCTION DESIGNATIONS FOR 45H OR 47 WITH DEADBOLT: AB, H, HJ, T, TA, TD, L, G, INA, S, AD, RD, YD, WD
- QUALIFIED STRIKE PLATE DESIGNATIONS: S1, S5, & S6.

### LIMITATIONS OF USE:

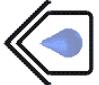
- THE MORTISE LOCKSET COMPONENT APPROVAL IS TO BE USED AS AN EQUIVALENT ALTERNATE INTO SINGLE OR PAIR STEEL OUTSWING DOORS HAVING A SEPARATE, CURRENT NOA. THE LOWER DESIGN PRESSURE OF DOOR OR THE MORTISE LOCKSET COMPONENT APPROVAL HEREIN SHALL CONTROL.
- THE MORTISE LOCKSET COMPONENT DESCRIBED HEREIN SHALL BE USED WITH DOOR PANEL FACE SHEETS TO BE OF MIN. 18 GA. (0.048") AND FRAME JAMBS TO BE MIN. 16 GA. (0.053" MIN.) STEEL. MAX. DOOR PANEL DIMENSIONS: 48" (W) X 96" (H)
- SINGLE OR DOUBLE DOOR LEAF SHALL BE NO WIDER THAN 48" OR HIGHER THAN 96".
- THIS DEVICE CAN BE INSTALLED AS PART OF A LARGE MISSILE IMPACT RESISTANT ASSEMBLY.
- THE DOORS, UNDER SEPARATE APPROVAL, SHALL MEET THE FOLLOWING MINIMUM REQUIREMENTS:
  - THE DOOR PANELS SHALL BE MAX. 48" (W) X 96" (H) X 1-3/4" MIN. OVERALL THICKNESS
  - DOOR FACE SHEETS TO BE OF MIN. 18 GA. (0.048") STEEL AND DOOR FRAME TO BE MIN 16 GA. (0.053") STEEL.
  - DOOR PANEL SHALL BE STIFFENED WITH 20 GA. (0.029") "HAT-STIFFENERS", MAX. 6" O.C.
  - HINGE REINFORCEMENTS AT DOOR PANEL AND AT FRAME SHALL BE A MINIMUM OF 9 GA. (0.132") THICK STEEL.
  - MIN. 16 GA. (0.053" MIN.) STEEL DOOR REINFORCEMENT AT MORTISE LOCK.
  - MIN. 14 GA. (0.067" MIN.) STEEL FULL LENGTH C-CHANNEL AT HINGE & LOCK STILES.
  - PLEASE REFER TO DOOR ELEVATIONS, SHEET 2, AND CORRESPONDING DETAILS FOR APPLICABILITY OF REINFORCEMENT REQUIREMENTS.
- ELECTRICAL/ELECTRONIC FUNCTION AND INSTALLATION OTHER THAN SELF CONTAINED ELECTRONIC DEVICES ARE NOT PART OF THIS APPROVAL AND MUST BE REVIEWED BY AUTHORITY HAVING JURISDICTION(AHJ).
- COMPLIANCE WITH BUILDING EGRESS REQUIREMENTS TO BE REVIEWED BY BUILDING OFFICIAL.

TABLE OF CONTENTS		
SHEET	REVISION	SHEET DESCRIPTION
1	-	GENERAL NOTES
2	-	DOOR ELEVATIONS
3	-	HORIZONTAL SECTIONS
4	-	45H/47H MORTISE LOCK WITH DEADBOLT
5	-	45H/47H MORTISE LOCK WITHOUT DEADBOLT
6	-	48H & 49H MORTISE DEADLOCK



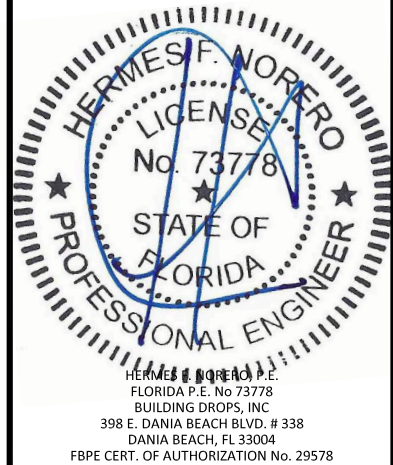
dormakaba USA Inc.  
6161 E. 75TH STREET  
INDIANAPOLIS, IN 46250  
PH: (317) 806-3288

TITLE: BEST ACCESS SERIES 45TH, 47H,  
48H, & 49H MORTISE LOCKSET  
W/OUT DEADBOLTS  
GENERAL NOTES

PREPARED BY:  
  
BUILDING DROPS, INC.  
398 E. DANIA BEACH BLVD., STE. 338  
DANIA BEACH, FL 33004  
PH: (954) 399-8478  
FAX: (954) 744-4738  
WEB: www.buildingdrops.com

REMARKS	BY	DATE

THE INSTALLATION DETAILS DESCRIBED HEREIN ARE GENERIC AND MAY NOT REFLECT ACTUAL CONDITIONS FOR A SPECIFIC SITE. IF SITE CONDITIONS CAUSE INSTALLATION TO DEVIATE FROM THE REQUIREMENTS DETAILED HEREIN, A LICENSED ENGINEER OR ARCHITECT SHALL PREPARE SITE SPECIFIC DOCUMENTS FOR USE WITH THIS DOCUMENT.



**FL16202**

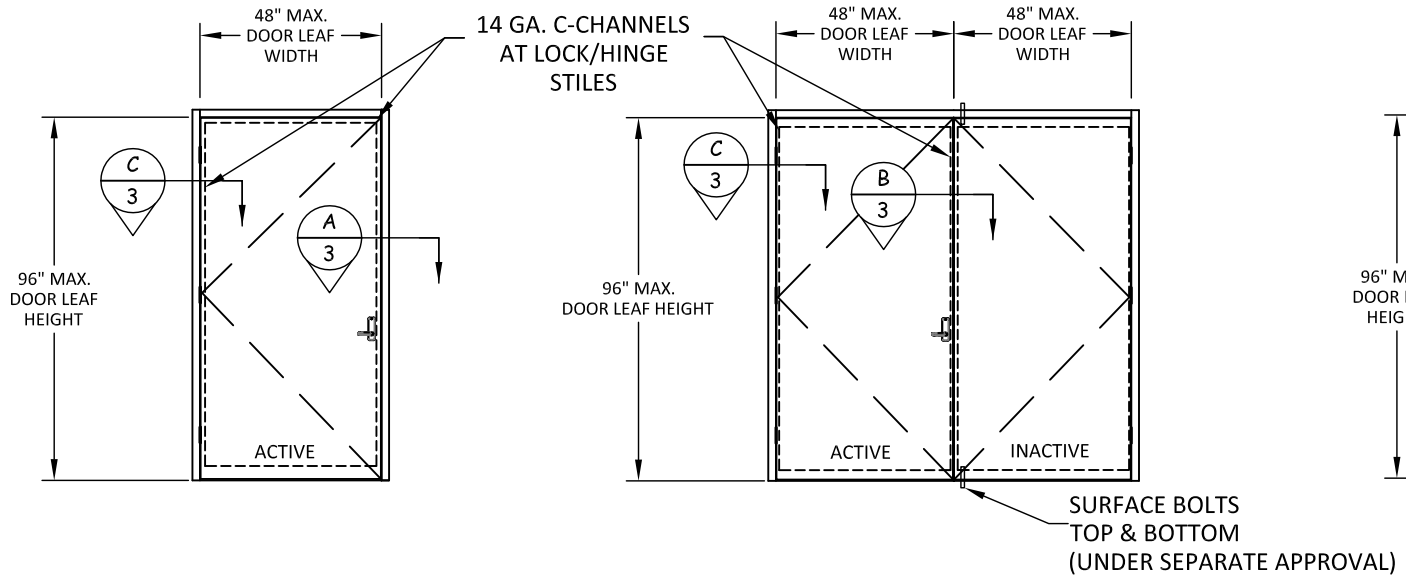
DATE: **12.11.18**  
 DWG. BY: **SM**      CHK. BY: **HFN**  
 SCALE: **NTS**  
 DWG. #: **DOR005**  
 SHEET:

**1**  
OF 6

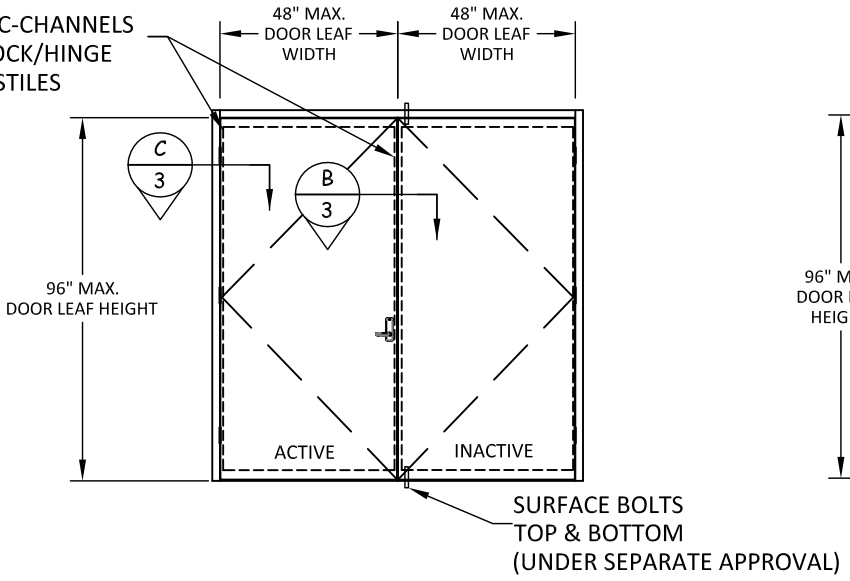
2/15/2019 4:21 PM  
s:\projects\dormakaba\loc-18-134-1020096 and fl16202 (revision and name change)\dwg\116202\dor005-40h.mortise.dwg

TITLE: BEST ACCESS SERIES 45TH, 47H, 48H, & 49H MORTISE LOCKSET W/OUT DEADBOLTS  
DOOR ELEVATIONS

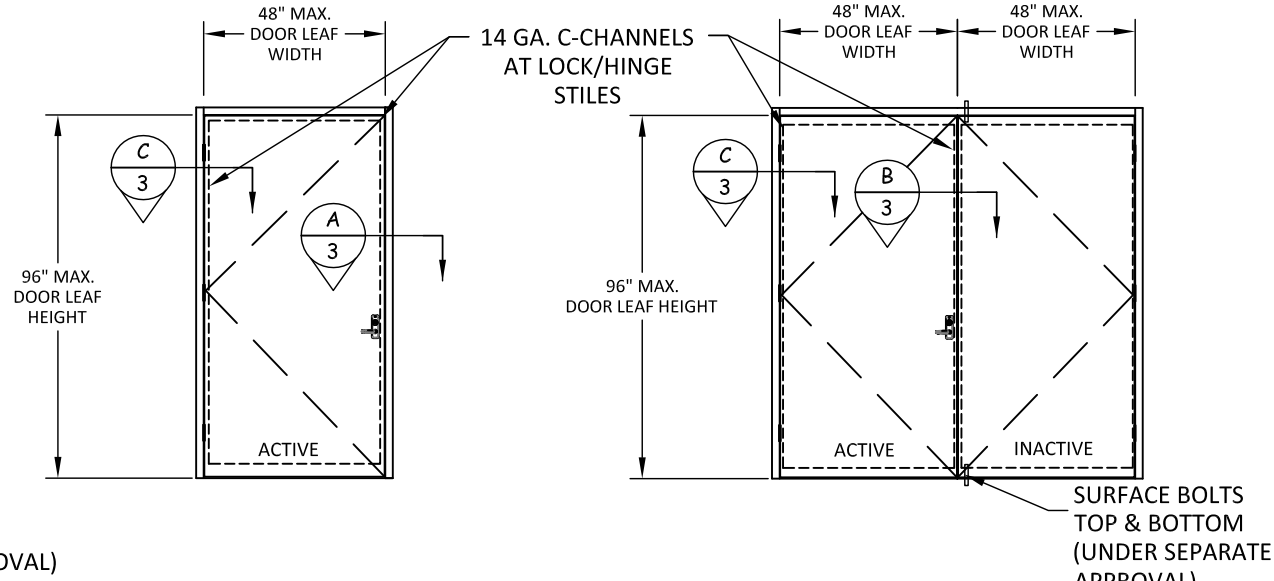
PREPARED BY: BUILDING DROPS, INC.  
398 E. DANIA BEACH BLVD., STE. 338  
DANIA BEACH, FL 33004  
PH: (954) 399-8478  
FAX: (954) 744-4738  
WEB: www.buildingdrops.com



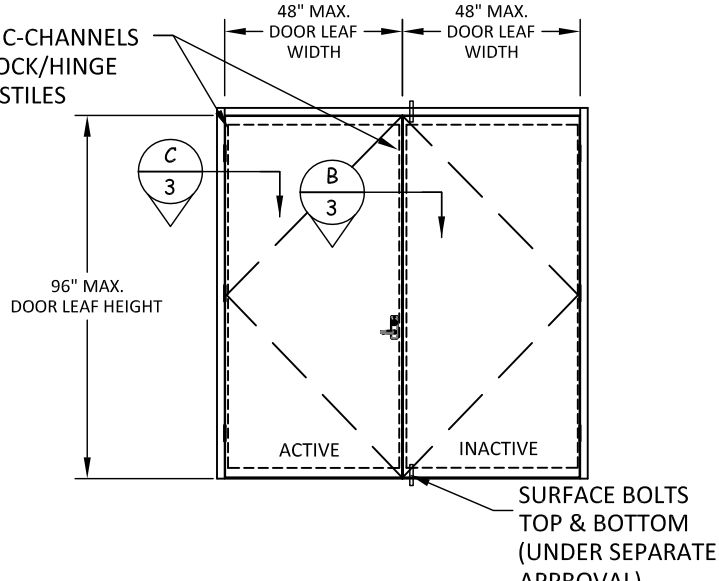
OUTSWING SINGLE STEEL DOOR  
DOORS UNDER SEPARATE APPROVAL  
45H/47H MORTISE LOCKSET WITHOUT DEADBOLT  
SEE DESIGN PRESSURE TABLE, SHEET 4



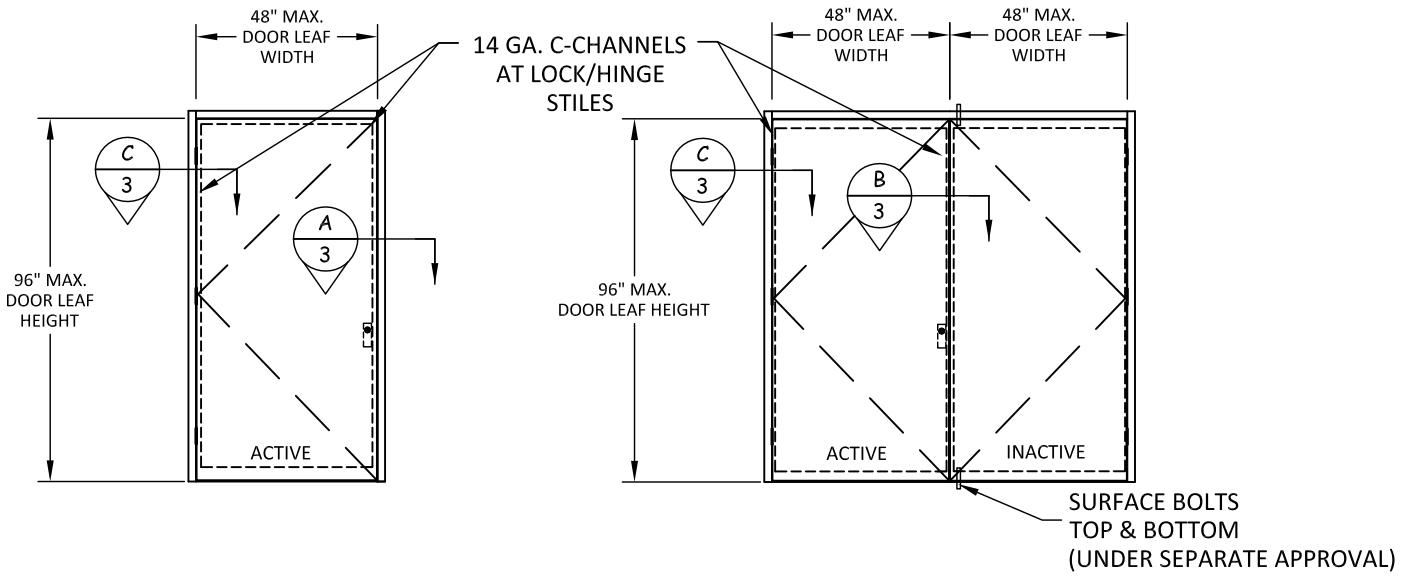
OUTSWING PAIR STEEL DOORS  
DOORS UNDER SEPARATE APPROVAL  
45H/47H MORTISE LOCKSET WITHOUT DEADBOLT  
SEE DESIGN PRESSURE TABLE, SHEET 4



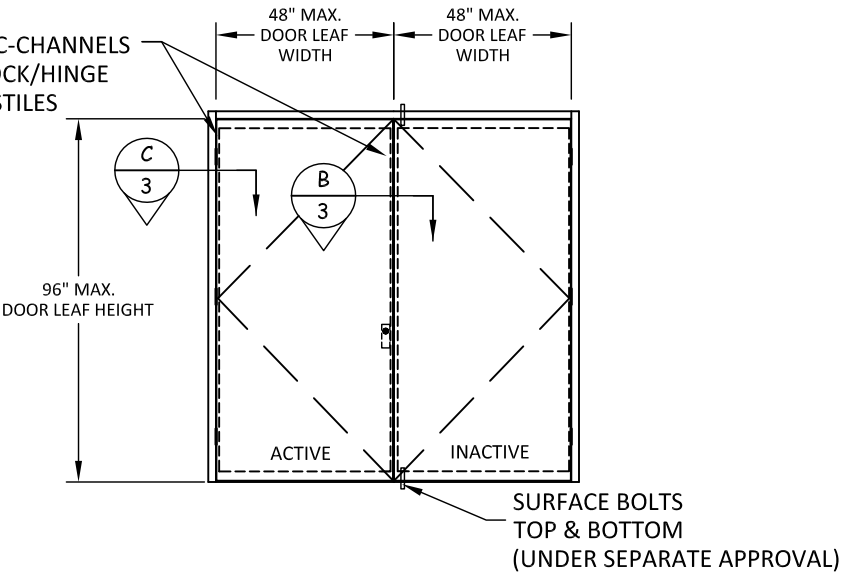
OUTSWING SINGLE STEEL DOOR  
DOORS UNDER SEPARATE APPROVAL  
45H/47H MORTISE LOCKSET WITH DEADBOLT  
SEE DESIGN PRESSURE TABLE, SHEET 5



OUTSWING PAIR STEEL DOORS  
DOORS UNDER SEPARATE APPROVAL  
45H/47H MORTISE LOCKSET WITH DEADBOLT  
SEE DESIGN PRESSURE TABLE, SHEET 5



OUTSWING SINGLE STEEL DOOR  
DOORS UNDER SEPARATE APPROVAL  
48H/49H MORTISE DEADLOCK  
SEE DESIGN PRESSURE TABLE, SHEET 6



OUTSWING PAIR STEEL DOORS  
DOORS UNDER SEPARATE APPROVAL  
48H/49H MORTISE DEADLOCK  
SEE DESIGN PRESSURE TABLE, SHEET 6

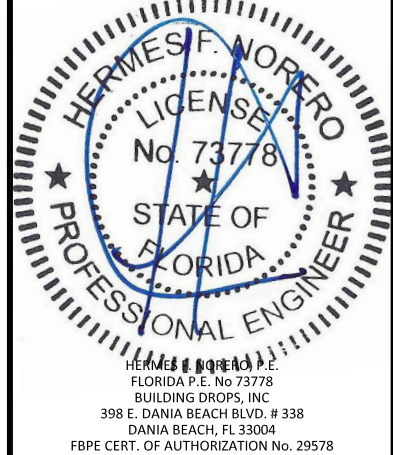


45H/47H MORTISE LOCKSET WITH DEADBOLT



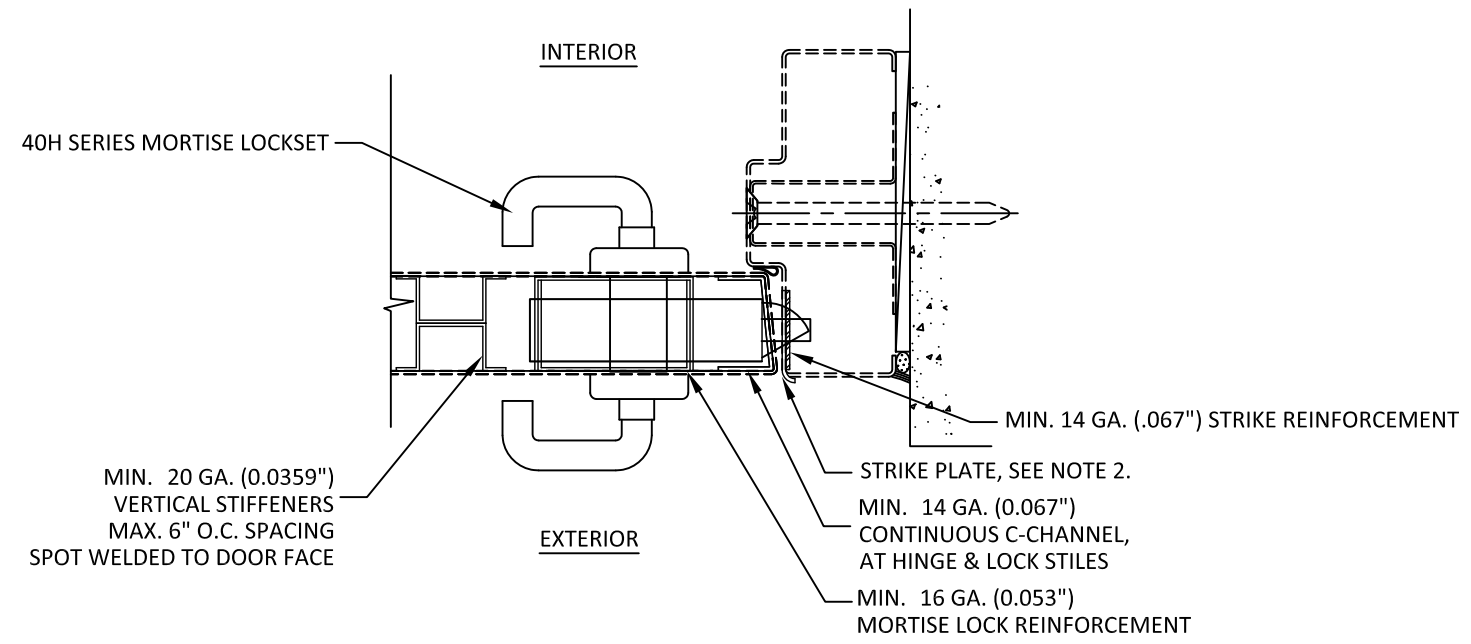
48H/49H MORTISE DEADLOCK

THE INSTALLATION DETAILS DESCRIBED HEREIN ARE GENERIC AND MAY NOT REFLECT ACTUAL CONDITIONS FOR A SPECIFIC SITE. IF SITE CONDITIONS CAUSE INSTALLATION TO DEVIATE FROM THE REQUIREMENTS DETAILED HEREIN, A LICENSED ENGINEER OR ARCHITECT SHALL PREPARE SITE SPECIFIC DOCUMENTS FOR USE WITH THIS DOCUMENT.



FL16202

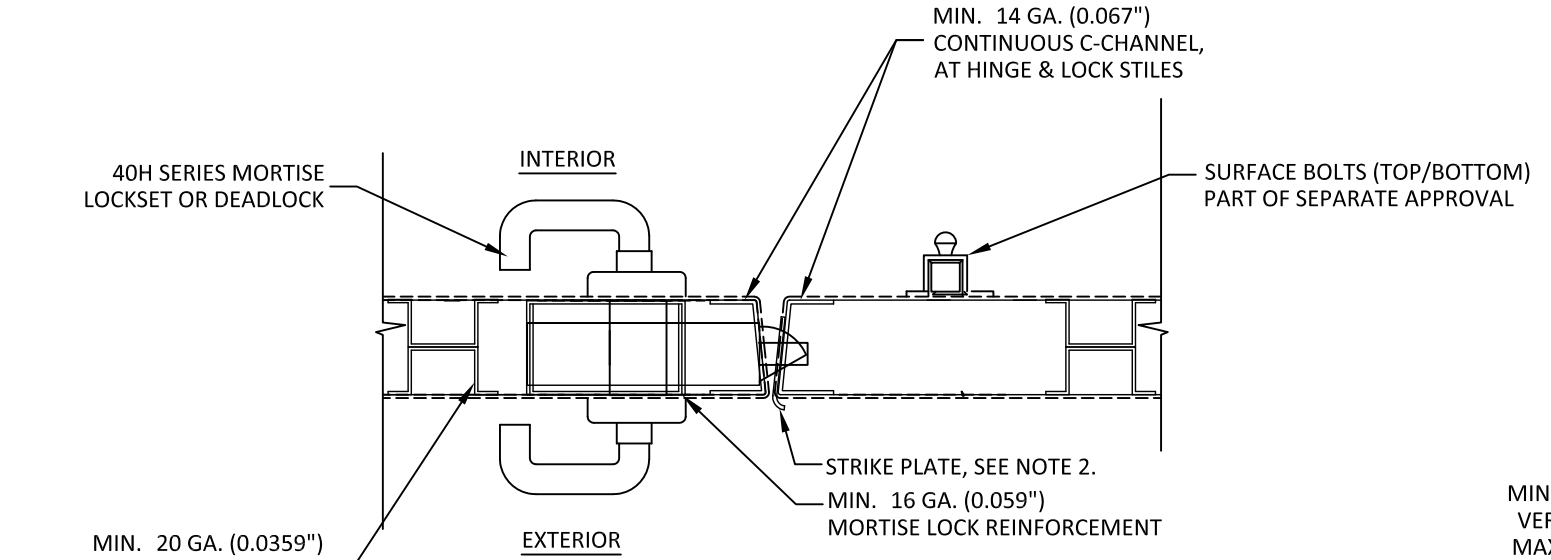
DATE: 12.11.18  
DWG. BY: SM  
CHK. BY: HFN  
SCALE: NTS  
DWG. #: DOR005  
SHEET:



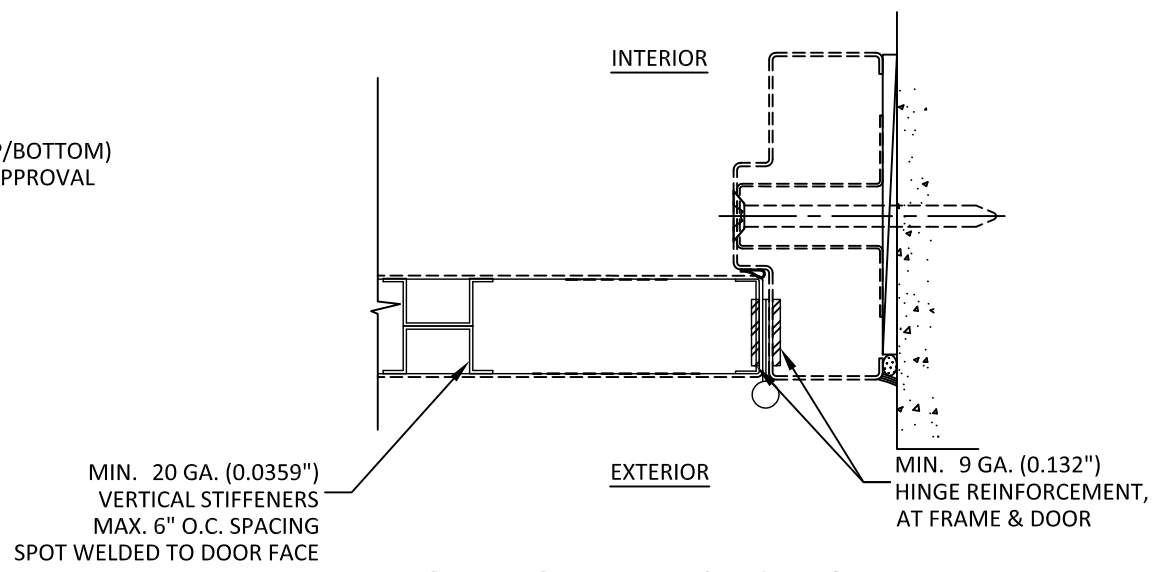
**A**  
**3** **HORIZONTAL SECTION**  
**40H SERIES MORTISE LOCKSET**  
**SINGLE DOOR**

**NOTE:**

1. SEE DOOR UNDER SEPARATE APPROVAL FOR DOOR CONSTRUCTION, DESIGN LOAD RATING, AND INSTALLATION DETAILS.
2. STRIKE PLATES SHALL BE FASTENED WITH TWO (2) #12-24 PHFHMS, SAE GR. 5.
3. SERIES 40H HORIZONTAL CROSS-SECTION SHOWN GENERIC AND APPLICABLE TO 45H/475 MORTISE LOCKSET W/WO DEADBOLT AND 48H/49H MORTISE DEADBOLT




**B**  
**3** **HORIZONTAL SECTION**  
**40H SERIES MORTISE LOCKSET**  
**DOUBLE DOOR**



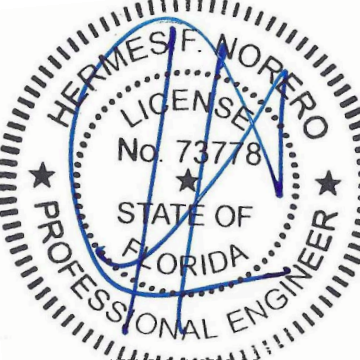
**C**  
**3** **HORIZONTAL SECTION**  
**40H SERIES MORTISE LOCKSET**  
**SINGLE/DOUBLE DOOR**

TITLE: BEST ACCESS SERIES 45TH, 47H, 48H, & 49H MORTISE LOCKSET W/OUT DEADBOLTS  
HORIZONTAL SECTIONS

PREPARED BY:  BUILDING DROPS, INC.  
398 E. DANIA BEACH BLVD., STE. 338  
DANIA BEACH, FL 33004  
PH: (954) 399-8478  
FAX: (954) 744-4738  
WEB: www.buildingdrops.com

REMARKS	BY	DATE

THE INSTALLATION DETAILS DESCRIBED HEREIN ARE GENERIC AND MAY NOT REFLECT ACTUAL CONDITIONS FOR A SPECIFIC SITE. IF SITE CONDITIONS CAUSE INSTALLATION TO DEVIATE FROM THE REQUIREMENTS DETAILED HEREIN, A LICENSED ENGINEER OR ARCHITECT SHALL PREPARE SITE SPECIFIC DOCUMENTS FOR USE WITH THIS DOCUMENT.



HERMES F. NOREIRO P.E.  
FLORIDA P.E. No 73778  
BUILDING DROPS, INC  
398 E. DANIA BEACH BLVD. # 338  
DANIA BEACH, FL 33004  
FBPE CERT. OF AUTHORIZATION No. 29578

**FL16202**

DATE: 12.11.18

DWG. BY: SM      CHK. BY: HFN

SCALE: NTS

DWG. #: DOR005

SHEET:

2/15/2019 4:21 PM  
s:\projects\dormakaba\loc-18-134-1020096 and fl16202 (revision and name change)\dwg\116202.dor005\_40h\_mortise.dwg

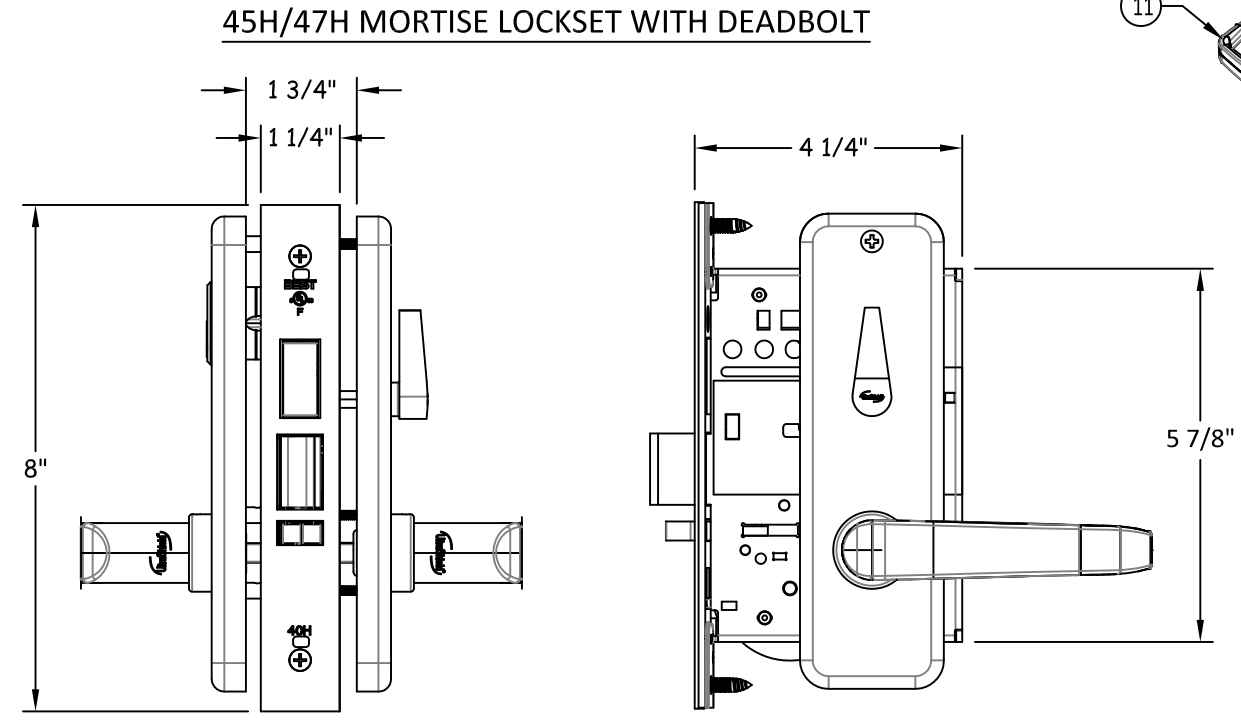
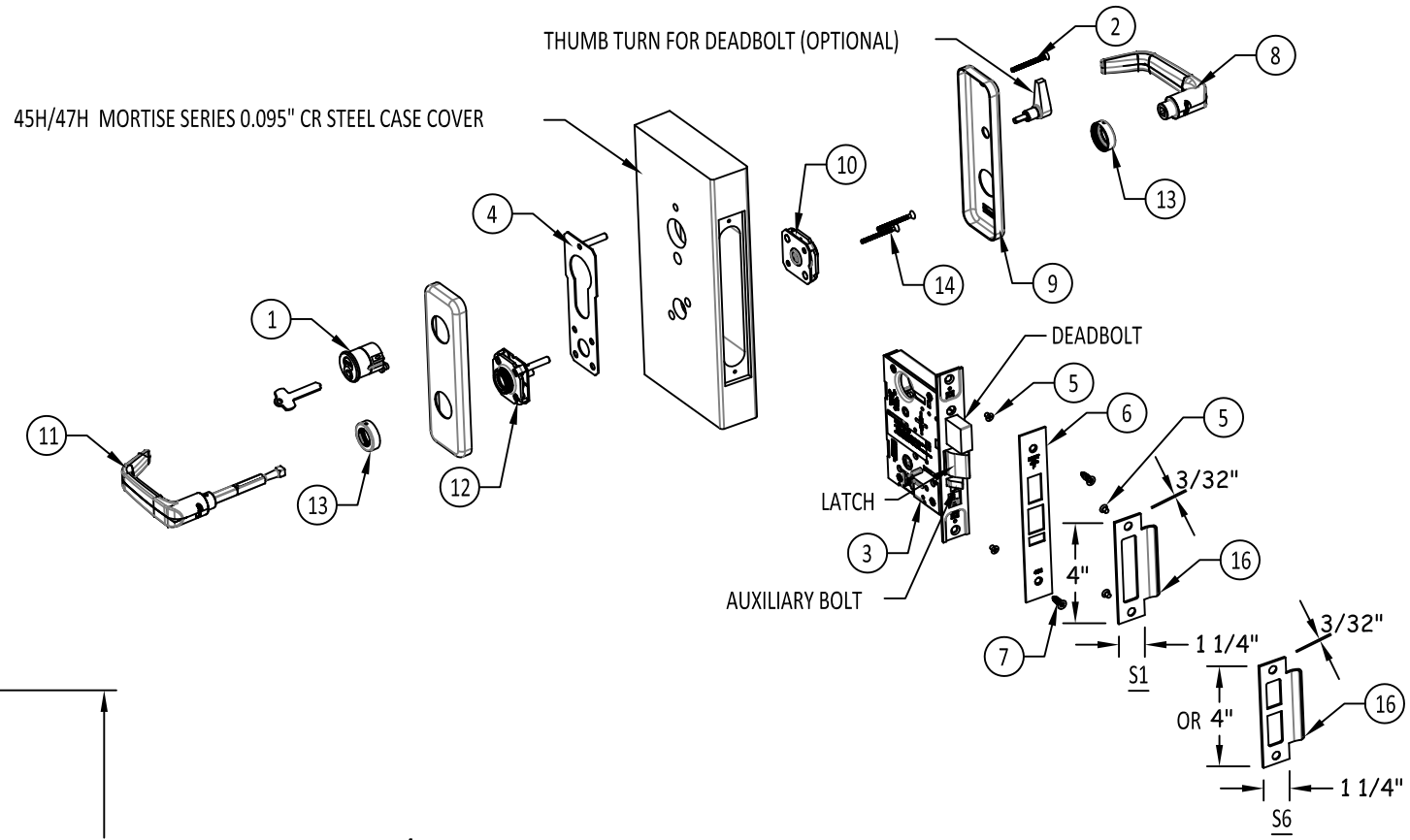
TITLE: BEST ACCESS SERIES 45TH, 47H, 48H, & 49H MORTISE LOCKSET W/O/D DEADBOLTS 45H/47H MORTISE LOCK WITH DEADBOLT

PREPARED BY: BUILDING DROPS, INC.  
398 E. DANIA BEACH BLVD., STE. 338  
DANIA BEACH, FL 33004  
PH: (954) 399-8478  
FAX: (954) 744-4738  
WEB: www.buildingdrops.com

45H/47H MORTISE LOCK WITH DEADBOLT - B.O.M.				
ITEM	DRAWING	DESCRIPTION	REQ'D	MATERIAL
1	B34077	C258 CYLINDER CAM	1	BRASS
2	A44241	TRIM ALIGNMENT PLATE MOUNTING SCREW, #8-32 X 1.75" UNC-2A POHMS	1	STAINLESS STEEL
3	-	AB FUNCTION MORTISE LOCK FINAL ASSEMBLY	1	-
4	A35466	ALIGNMENT PLATE ASSEMBLY	1	STEEL
5	A18724	CASE AND STRIKE MOUNT SCREW, #12-24 X 3/4" PHFHMS GRADE 5	4	STEEL
6	D44030	FACEPLATE	1	BRASS/STAINLESS STEEL
7	A18722	FACEPLATE SCREW, #8-32 X 1/4" PHFHMS	2	STAINLESS STEEL
8	B45150	INSIDE LEVER AND SET SCREW ASSEMBLY	1	BRASS
9	B45200	INSIDE ESCUTCHEON AND TURNKNOB ASSEMBLY	1	BRASS
10	B45071	INSIDE TRIM CASSETTE	1	-
11	B45160	OUTSIDE LEVER AND SPINDLE ASSEMBLY	1	BRASS/STEEL
12	D44092	OUTSIDE STAMPED ESCUTCHEON	1	BRASS
13	B45081	OUTSIDE TRIM CASSETTE	1	-
14	B44182	ROSE RING	2	BRASS
15	A44215	TRIM CASSETTE MOUNTING SCREW #8-32	2	STAINLESS STEEL
16	C44004	UNIVERSAL STRIKE - 3/32" MIN. THICKNESS, S1 OR S6	1	BRASS

45H & 47H MORTISE LOCKSET WITH DEADBOLT MAX. DESIGN PRESSURE	
SINGLE DOOR	+/- 60 PSF
PAIR DOORS	+/- 35 PSF

THROW DISTANCE	
LATCH (STEEL)	3/4"
DEADBOLT (STEEL)	1"



**D**  
4 FRONT VIEW  
45H/47H MORTISE LOCKSET WITH DEADBOLT

**E**  
4 SIDE VIEW  
45H/47H MORTISE LOCKSET WITH DEADBOLT

**45H/47H MORTISE LOCKSET WITH DEADBOLT**  
SEE DETAILS D/4 & E/4 FOR FRONT & SIDE VIEW

SPECIFICATIONS:  
ANSI A156.13 SERIES 1000 GRADE 1  
BACKSET = 2 3/4"  
LATCH THROW (SS) = 3/4" MIN.  
BOLT THROW (SS) = 1" MIN.

REMARKS	BY	DATE

THE INSTALLATION DETAILS DESCRIBED HEREIN ARE GENERIC AND MAY NOT REFLECT ACTUAL CONDITIONS FOR A SPECIFIC SITE. IF SITE CONDITIONS CAUSE INSTALLATION TO DEVIATE FROM THE REQUIREMENTS DETAILED HEREIN, A LICENSED ENGINEER OR ARCHITECT SHALL PREPARE SITE SPECIFIC DOCUMENTS FOR USE WITH THIS DOCUMENT.

HERMES F. NOREIRO, P.E.  
FLORIDA P.E. No. 73778  
BUILDING DROPS, INC.  
398 E. DANIA BEACH BLVD. # 338  
DANIA BEACH, FL 33004  
FBPE CERT. OF AUTHORIZATION No. 29578

<b>FL16202</b>	
DATE:	12.11.18
DWG. BY:	SM
CHK. BY:	HFN
SCALE:	NTS
DWG. #:	DOR005
SHEET:	4

45H & 47H MORTISE LOCKSET WITHOUT DEADBOLT MAX. DESIGN PRESSURE	
SINGLE DOOR	+/- 60 PSF
PAIR DOORS	+/- 35 PSF

THROW DISTANCE	
LATCH (STEEL)	3/4"

45H/47H MORTISE LOCK WITHOUT DEADBOLT - B.O.M.				
ITEM	DRAWING	DESCRIPTION	REQ'D	MATERIAL
1	B34077	C258 CYLINDER CAM	1	BRASS
2	A44241	TRIM ALIGNMENT PLATE MOUNTING SCREW, #8-32 X 1.75" UNC-2A POHMS	1	STAINLESS STEEL
3	-	A FUNCTION MORTISE LOCK FINAL ASSEMBLY	1	-
4	A35466	ALIGNMENT PLATE ASSEMBLY	1	STEEL
5	A18724	CASE AND STRIKE MOUNT SCREW, #12-24 X 3/4" PHFHMS GRADE 5	4	STEEL
6	D44030	FACEPLATE	1	BRASS/STAINLESS STEEL
7	A18722	FACEPLATE SCREW, #8-32 X 1/4" PHFHMS	2	STAINLESS STEEL
8	B45150	INSIDE LEVER AND SET SCREW ASSEMBLY	1	BRASS
9	D44081	INSIDE ESCUTCHEON	1	BRASS
10	B45071	INSIDE TRIM CASSETTE	1	-
11	B45160	OUTSIDE LEVER AND SPINDLE ASSEMBLY	1	BRASS/STEEL
12	D44092	OUTSIDE STAMPED ESCUTCHEON	1	BRASS
13	B45081	OUTSIDE TRIM CASSETTE	1	-
14	B44182	ROSE RING	2	BRASS
15	A44215	TRIM CASSETTE MOUNTING SCREW #8-32	2	STAINLESS STEEL
16	C44004	UNIVERSAL STRIKE - 3/32" MIN. THICKNESS, S1 OR S5	1	BRASS



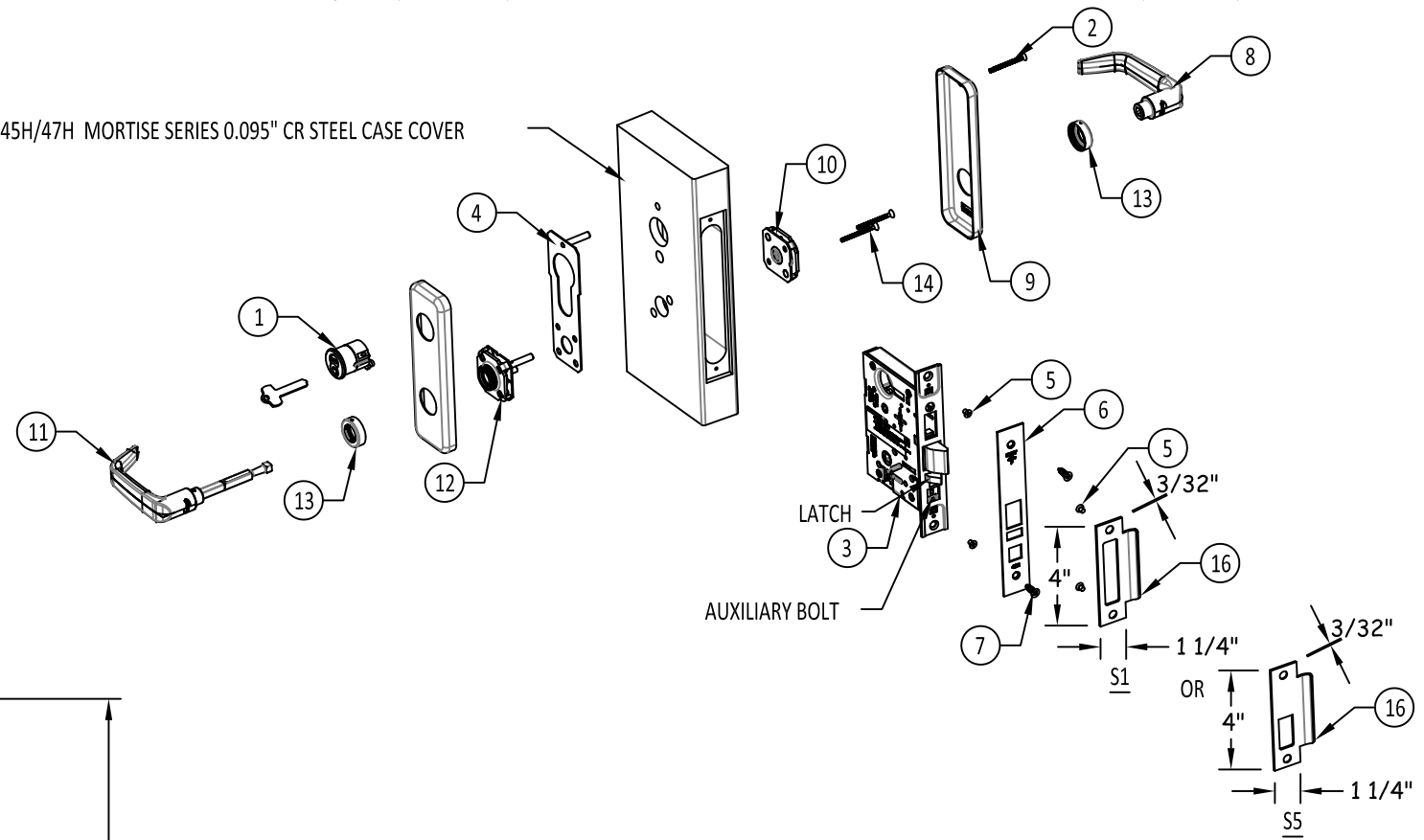
dormakaba USA Inc.  
6161 E. 75TH STREET  
INDIANAPOLIS, IN 46250  
PH: (317) 806-3288

TITLE: BEST ACCESS SERIES 45TH, 47H,  
48H, & 49H MORTISE LOCKSET  
W/OUT DEADBOLTS  
45H/47H MORTISE LOCK  
WITHOUT DEADBOLT

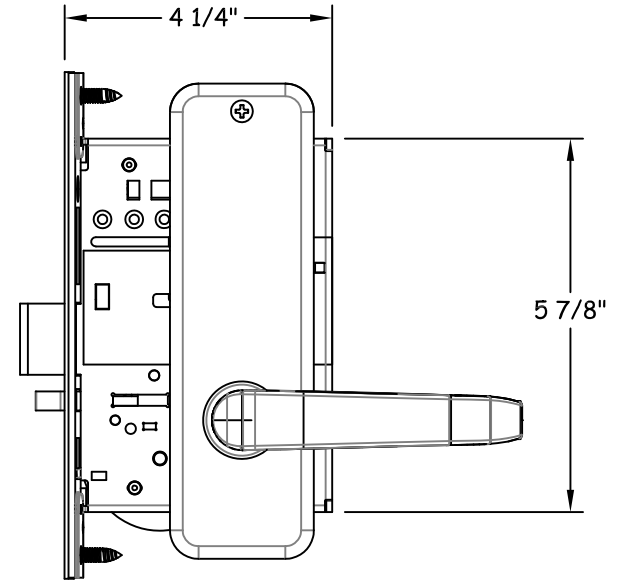
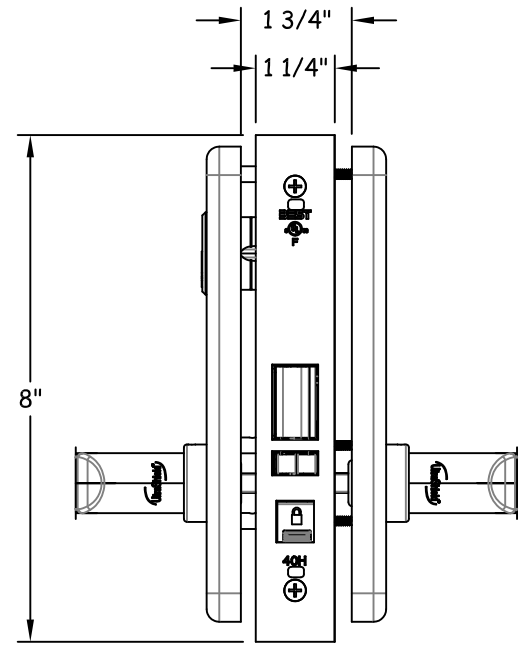
PREPARED BY:  
**BUILDING DROPS, INC.**  
398 E. DANIA BEACH BLVD., STE. 338  
DANIA BEACH, FL 33004  
PH: (954) 399-8478  
FAX: (954) 744-4738  
WEB: www.buildingdrops.com



45H/47H MORTISE SERIES 0.095" CR STEEL CASE COVER



45H/47H MORTISE LOCKSET WITHOUT DEADBOLT



45H/47H MORTISE LOCKSET WITHOUT DEADBOLT

SEE DETAILS F/5 & G/5 FOR FRONT & SIDE VIEW

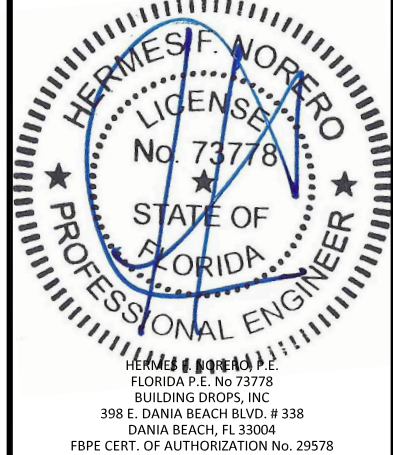
SPECIFICATIONS:  
ANSI A156.13 SERIES 1000 GRADE 1  
BACKSET = 2 3/4"  
LATCH THROW (SS) = 3/4" MIN.

**F**  
**5** FRONT VIEW  
45H/47H MORTISE LOCKSET  
WITHOUT DEADBOLT

**G**  
**5** SIDE VIEW  
45H/47H MORTISE LOCKSET  
WITHOUT DEADBOLT

REMARKS	BY	DATE

THE INSTALLATION DETAILS DESCRIBED HEREIN ARE GENERIC AND MAY NOT REFLECT ACTUAL CONDITIONS FOR A SPECIFIC SITE. IF SITE CONDITIONS CAUSE INSTALLATION TO DEVIATE FROM THE REQUIREMENTS DETAILED HEREIN, A LICENSED ENGINEER OR ARCHITECT SHALL PREPARE SITE SPECIFIC DOCUMENTS FOR USE WITH THIS DOCUMENT.



**FL16202**

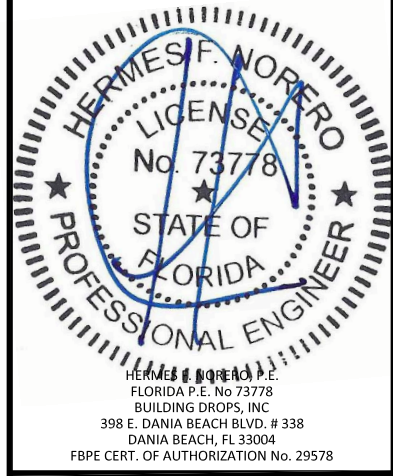
DATE:	12.11.18
DWG. BY:	SM
CHK. BY:	HFN
SCALE:	NTS
DWG. #:	DOR005
SHEET:	5

TITLE: BEST ACCESS SERIES 45TH, 47H,  
48H, & 49H MORTISE LOCKSET  
W/OUT DEADBOLTS  
48H & 49H MORTISE DEADLOCK

PREPARED BY:  
**BUILDING DROPS, INC.**  
398 E. DANIA BEACH BLVD., STE. 338  
DANIA BEACH, FL 33004  
PH: (954) 399-8478  
FAX: (954) 744-4738  
WEB: www.buildingdrops.com

REMARKS	BY	DATE

THE INSTALLATION DETAILS DESCRIBED HEREIN ARE GENERIC AND MAY NOT REFLECT ACTUAL CONDITIONS FOR A SPECIFIC SITE. IF SITE CONDITIONS CAUSE INSTALLATION TO DEVIATE FROM THE REQUIREMENTS DETAILED HEREIN, A LICENSED ENGINEER OR ARCHITECT SHALL PREPARE SITE SPECIFIC DOCUMENTS FOR USE WITH THIS DOCUMENT.



**FL16202**

DATE: 12.11.18

DWG. BY: SM      CHK. BY: HFN

SCALE: NTS

DWG. #: DOR005

SHEET:

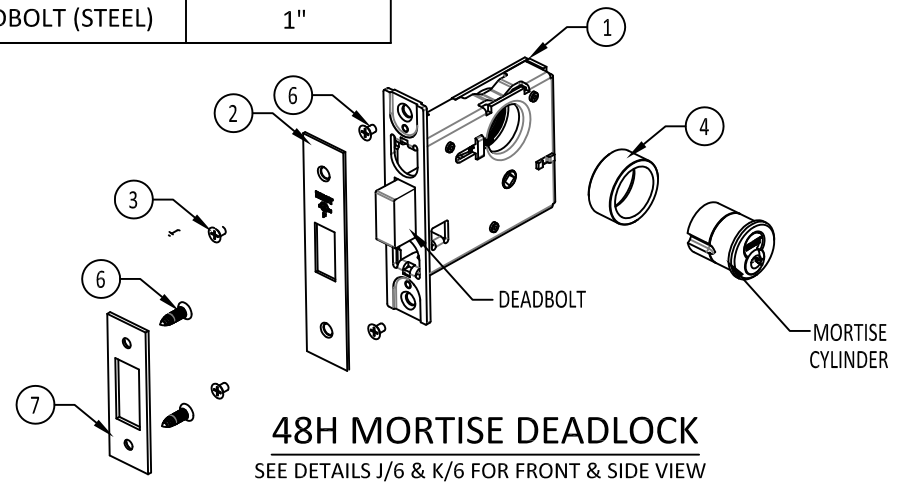
6

OF 6

48H & 49H MORTISE DEADLOCK MAX. DESIGN PRESSURE	
SINGLE DOOR	+/- 40.5 PSF
PAIR DOORS	+/- 40.5 PSF

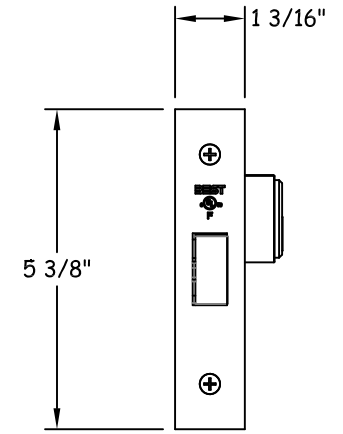
THROW DISTANCE	
DEADBOLT (STEEL)	1"

SPECIFICATIONS:  
BACKSET = 2 3/4"  
DEADBOLT THROW (SS) = 1" MIN.  
CASE: 0.095" CR STEEL

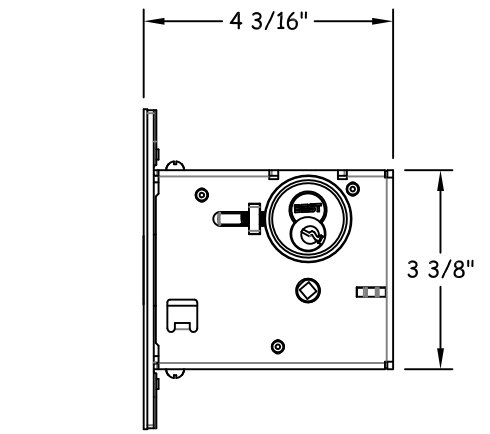


**48H MORTISE DEADLOCK**  
SEE DETAILS J/6 & K/6 FOR FRONT & SIDE VIEW

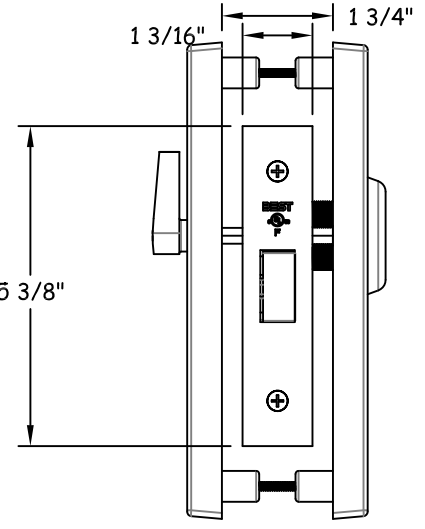
48H MORTISE DEADBOLT - B.O.M.				
ITEM	DRAWING	DESCRIPTION	REQ'D	MATERIAL
1	-	MORTISE DEADBOLT FINAL ASSEMBLY	1	STAINLESS STEEL
2	C34351	FACEPLATE	1	BRASS
3	A18722	FACEPLATE SCREW, #8-32 X 1/4" PHFHMS	2	STEEL
4	B35103	CYLINDER RING	1	BRASS
5	-	CYLINDER ASSEMBLY	1	BRASS
6	A18724	CASE AND STRIKE MOUNT SCREW, #12-24 X 3/4" PHFHMS	4	STEEL
7	C44004	UNIVERSAL STRIKE - 3/32" MIN. THICKNESS	1	BRASS



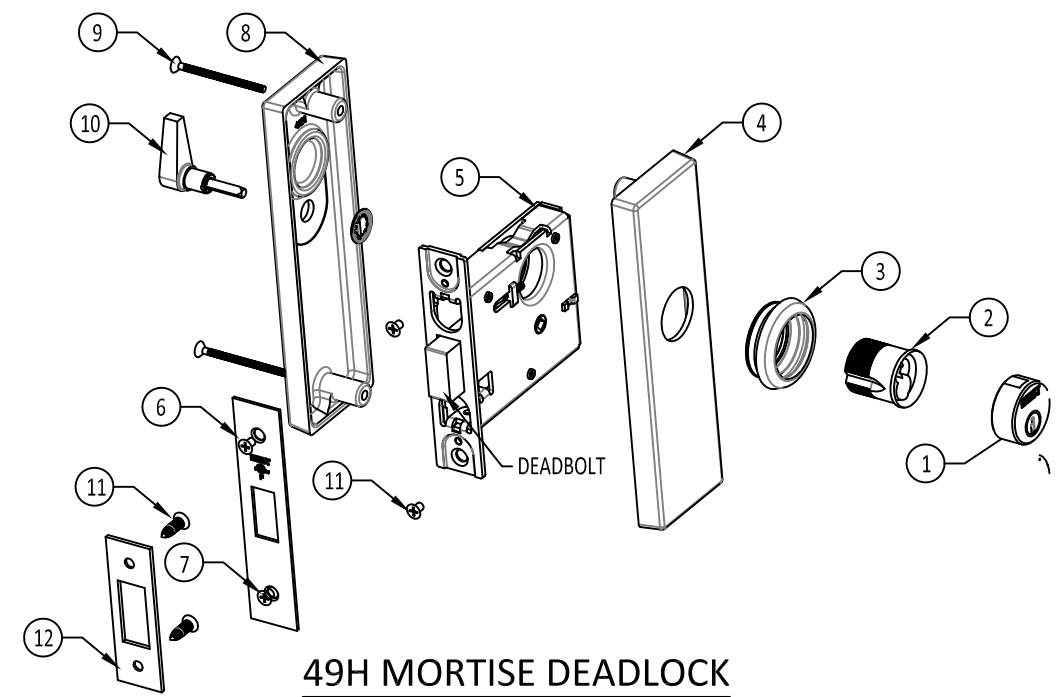
**J 6** FRONT VIEW  
48H MORTISE DEADLOCK



**K 6** SIDE VIEW  
48H MORTISE DEADLOCK

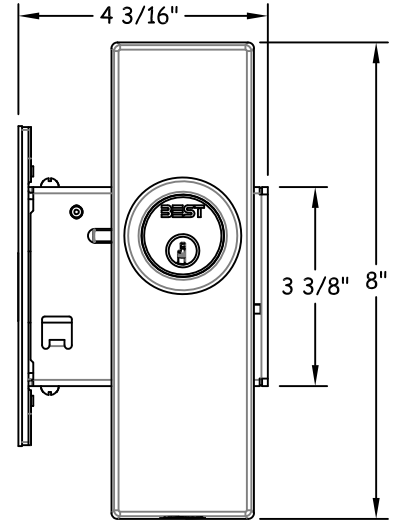


**H 6** FRONT VIEW  
49H MORTISE DEADLOCK



**49H MORTISE DEADLOCK**  
SEE DETAILS H/6 & I/6 FOR FRONT & SIDE VIEW

49H MORTISE DEADBOLT - B.O.M.				
ITEM	DRAWING	DESCRIPTION	REQ'D	MATERIAL
1	B19436	HIGH SECURITY CYLINDER	1	BRASS
2	B19446	UL CYLINDER FACE	1	STEEL
3	C44470	HIGH SECURITY CYLINDER RING	1	STAINLESS STEEL
4	B45221	OUTSIDE ESCUTCHEON	1	STAINLESS STEEL
5	-	MORTISE FINAL ASSEMBLY	4	-
6	B34353	FACEPLATE	1	BRASS
7	A18722	FACEPLATE SCREW, #8-32 X 1/4" PHFHMS	2	STAINLESS STEEL
8	B45213	INSIDE ESCUTCHEON	1	STAINLESS STEEL
9	-	ESCUTCHEON MOUNTING SCREW, #10-32 x 2 1/8"	2	STAINLESS STEEL
10	A45203	TURN KNOB AND SPINDLE ASSEMBLY	1	BRASS/STEEL
11	A18724	CASE AND STRIKE MOUNT SCREW, #12-24 X 3/4" PHFHMS	4	STEEL
12	C44004	UNIVERSAL STRIKE - 3/32" MIN. THICKNESS	1	BRASS



**I 6** SIDE VIEW  
49H MORTISE DEADLOCK