

REVISIONS			
REV	DESCRIPTION	DATE	APPROVED
A	REVISED INSTALLATION DETAILS	05/13/2015	R.L.

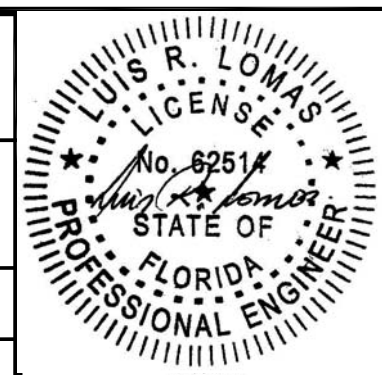
NOTES:

1. THE PRODUCT SHOWN HEREIN IS DESIGNED AND MANUFACTURED TO COMPLY WITH REQUIREMENTS OF THE FLORIDA BUILDING CODE.
2. WOOD FRAMING AND MASONRY OPENING TO BE DESIGNED AND ANCHORED TO PROPERLY TRANSFER ALL LOADS TO STRUCTURE. FRAMING AND MASONRY OPENING IS THE RESPONSIBILITY OF THE ARCHITECT OR ENGINEER OF RECORD.
3. 1X BUCK OVER MASONRY/CONCRETE IS OPTIONAL. WHERE 1X BUCK IS NOT USED DISSIMILAR MATERIALS MUST BE SEPARATED WITH APPROVED COATING OR MEMBRANE. SELECTION OF COATING OR MEMBRANE IS THE RESPONSIBILITY OF THE ARCHITECT OR ENGINEER OF RECORD.
4. ALLOWABLE STRESS INCREASE OF 1/3 WAS NOT USED IN THE DESIGN OF THE PRODUCT SHOWN HEREIN. WIND LOAD DURATION FACTOR Cd=1.6 WAS USED FOR WOOD ANCHOR CALCULATIONS.
5. FRAME MATERIAL: EXTRUDED ALUMINUM 6063-T5.
6. UNITS MUST BE GLAZED PER ASTM E1300-04, WITH TEMPERED GLASS
7. APPROVED IMPACT PROTECTIVE SYSTEM IS REQUIRED FOR THIS PRODUCT IN WIND BORNE DEBRIS REGIONS.
8. SHIM AS REQUIRED AT EACH INSTALLATION ANCHOR WITH LOAD BEARING SHIM. SHIM WHERE SPACE OF 1/16" OR GREATER OCCURS. MAXIMUM ALLOWABLE SHIM STACK TO BE 1/2".
9. FOR ANCHORING INTO WOOD FRAMING OR 2X BUCK USE #12 WOOD SCREWS WITH SUFFICIENT LENGTH TO ACHIEVE A 1 5/8" MINIMUM EMBEDMENT INTO SUBSTRATE. LOCATE ANCHORS AS SHOWN IN ELEVATIONS AND INSTALLATION DETAILS.
10. FOR ANCHORING INTO MASONRY/CONCRETE USE 1/4" TAPCONS WITH SUFFICIENT LENGTH TO ACHIEVE A 1 1/4" MINIMUM EMBEDMENT INTO SUBSTRATE WITH 2 1/2" MINIMUM EDGE DISTANCE. LOCATE ANCHORS AS SHOWN IN ELEVATIONS AND INSTALLATION DETAILS.
11. FOR ANCHORING INTO METAL STRUCTURE USE #12 SMS OR SELF DRILLING SCREWS WITH SUFFICIENT LENGTH TO ACHIEVE 3 THREADS MINIMUM BEYOND STRUCTURE INTERIOR WALL. LOCATE ANCHORS AS SHOWN IN ELEVATIONS AND INSTALLATION DETAILS.
12. ALL FASTENERS TO BE CORROSION RESISTANT.
13. INSTALLATION ANCHORS SHALL BE INSTALLED IN ACCORDANCE WITH ANCHOR MANUFACTURER'S INSTALLATION INSTRUCTIONS AND ANCHORS SHALL NOT BE USED IN SUBSTRATES WITH STRENGTHS LESS THAN THE MINIMUM STRENGTH SPECIFIED BELOW:
 - A. WOOD - MINIMUM SPECIFIC GRAVITY OF G=0.42
 - B. CONCRETE - MINIMUM COMPRESSIVE STRENGTH OF 4,192 PSI.
 - C. MASONRY - STRENGTH CONFORMANCE TO ASTM C-90, GRADE N, TYPE 1 (OR GREATER).
 - D. METAL STRUCTURE: STEEL 18GA, 33KSI OR ALUMINUM 6063-T5 1/8" THICK MINIMUM

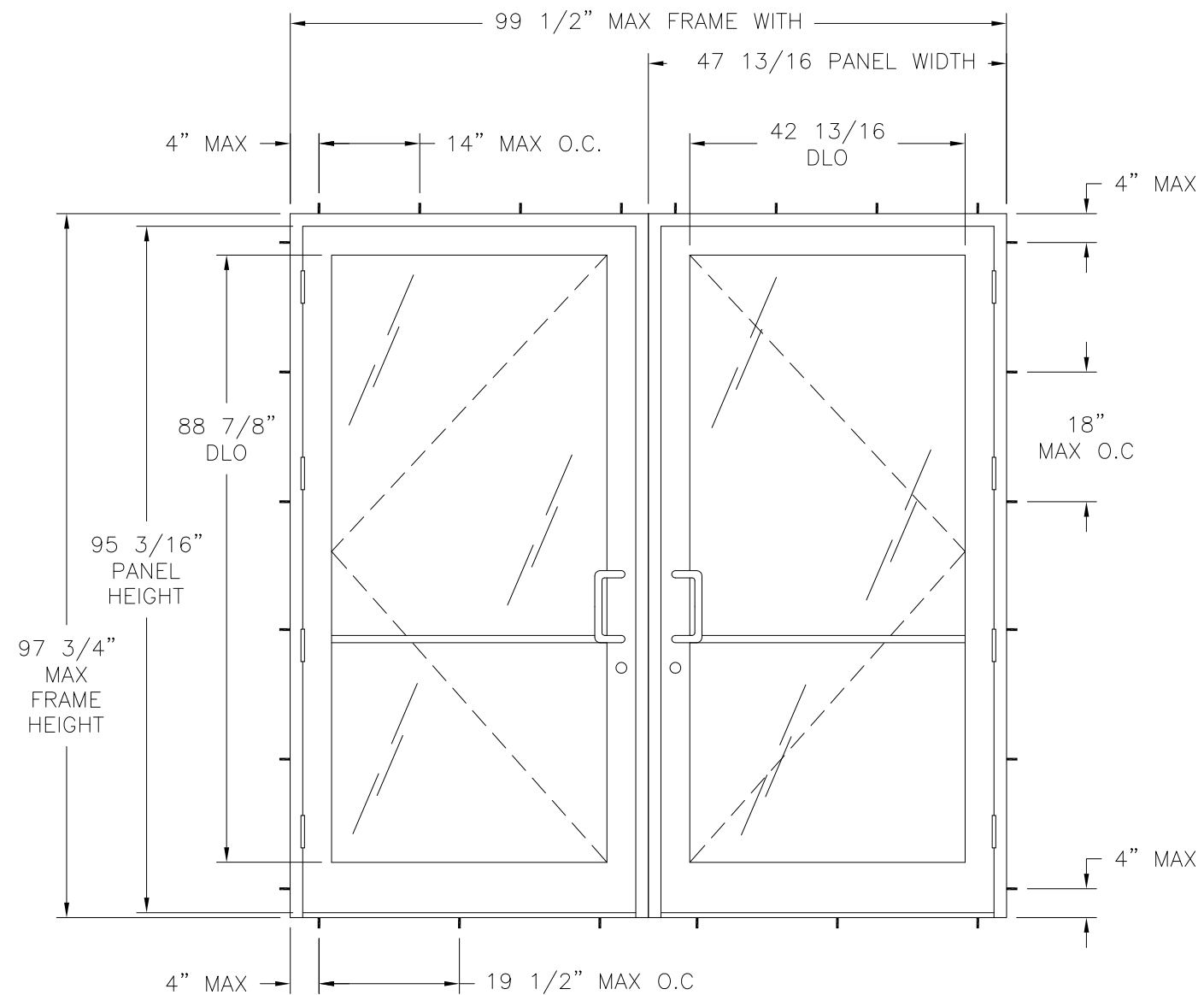
SIGNED: 05/14/2015

TABLE OF CONTENTS	
SHEET NO.	DESCRIPTION
1	NOTES
2	ELEVATIONS
3 - 4	INSTALLATION DETAILS

US ALUMINUM DIVISION OF C.R. LAURENCE CO., INC. 720 CEL-RIVER RD. ROAD HILL, SC 29730		
SERIES 550 DOUBLE DOOR NON IMPACT NOTES		
DRAWN: AP	DWG NO. 08-01836	REV A
SCALE NTS	DATE 10/22/12	SHEET 1 OF 4



REVISIONS			
REV	DESCRIPTION	DATE	APPROVED
A	REVISED INSTALLATION DETAILS	05/13/2015	R.L.



SERIES 550 ALUMINUM DOUBLE DOOR
EXTERIOR VIEW

Panel Height (in)	Design pressure rating (psf)									
	Panel width (in)									
	24.81		30.81		35.81		42.81		47.81	
	Pos	Neg	Pos	Neg	Pos	Neg	Pos	Neg	Pos	Neg
78.19	44.9	44.9	40.7	40.7	37.5	37.5	33.7	33.7	31.4	31.4
80.19	44.2	44.2	39.8	39.8	36.5	36.5	32.5	32.5	30.1	30.1
82.19	43.5	43.5	38.9	38.9	35.5	35.5	31.3	31.3	28.7	28.7
83.19	43.2	43.2	38.5	38.5	35.0	35.0	30.7	30.7	28.0	28.0
86.19	42.1	42.1	37.2	37.2	33.5	33.5	28.9	28.9	26.0	26.0
88.19	41.4	41.4	36.3	36.3	32.5	32.5	27.7	27.7	24.7	24.7
90.19	40.7	40.7	35.5	35.5	31.5	31.5	26.5	26.5	23.4	23.4
92.19	40.0	40.0	34.6	34.6	30.5	30.5	25.3	25.3	22.0	22.0
94.19	39.3	39.3	33.7	33.7	29.5	29.5	24.1	24.1	20.7	20.7
95.19	39.0	39.0	33.3	33.3	29.0	29.0	23.5	23.5	20.0	20.0

DESIGN PRESSURE RATING	IMPACT RATING
±20.0PSF	NONE
THIS SYSTEM WAS NOT TESTED FOR WATER INFILTRATION AND IS TO BE INSTALLED ONLY WHERE THE WATER REQUIREMENT IS NOT NEEDED	

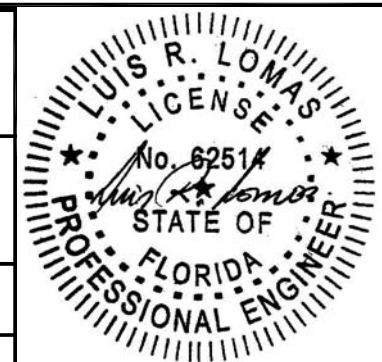
SIGNED: 05/14/2015

HARDWARE SCHEDULE
A. PR-032 PULL HANDLE
B. PR-034 PUSH BAR
C. DH-129 HOOK BOLT LOCK
D. (4) DH-009 FIVE BARREL STAINLES STEEL HINGE
E. DM008 FLUSH BOLT (TOP & BOTTOM INACTIVE PANEL)

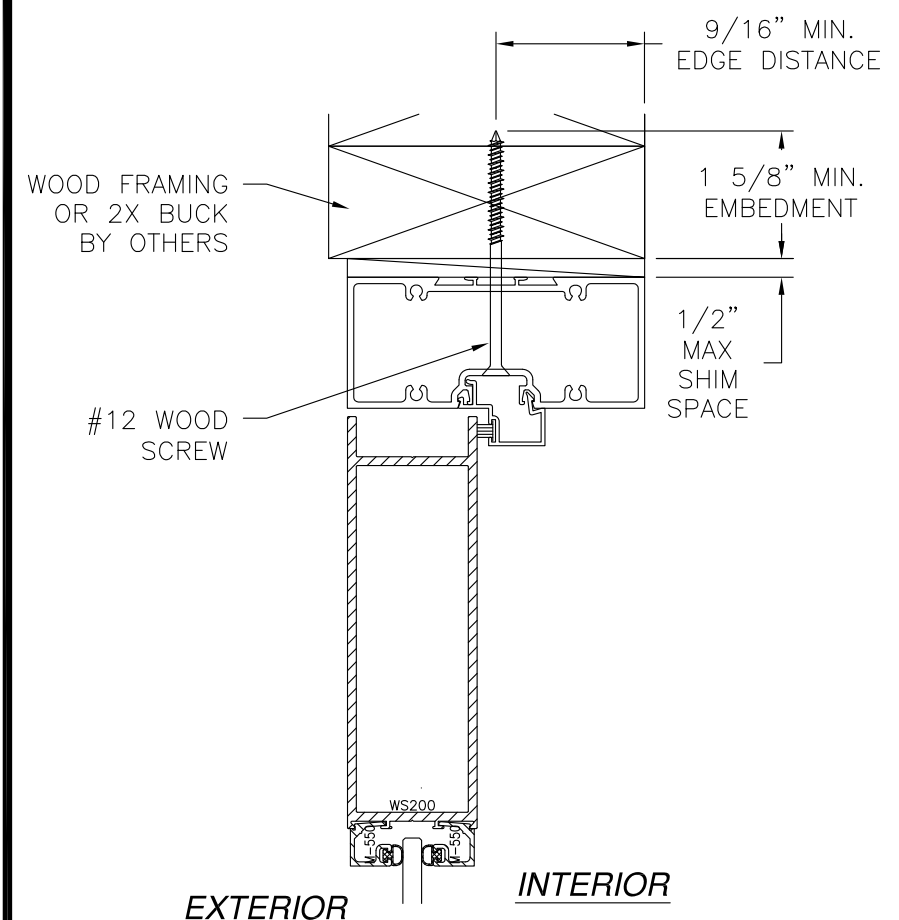
US ALUMINUM
DIVISION OF C.R. LAURENCE CO., INC.
720 CEL-RIVER RD. ROAD HILL, SC 29730

SERIES 550 DOUBLE DOOR
NON IMPACT
NOTES

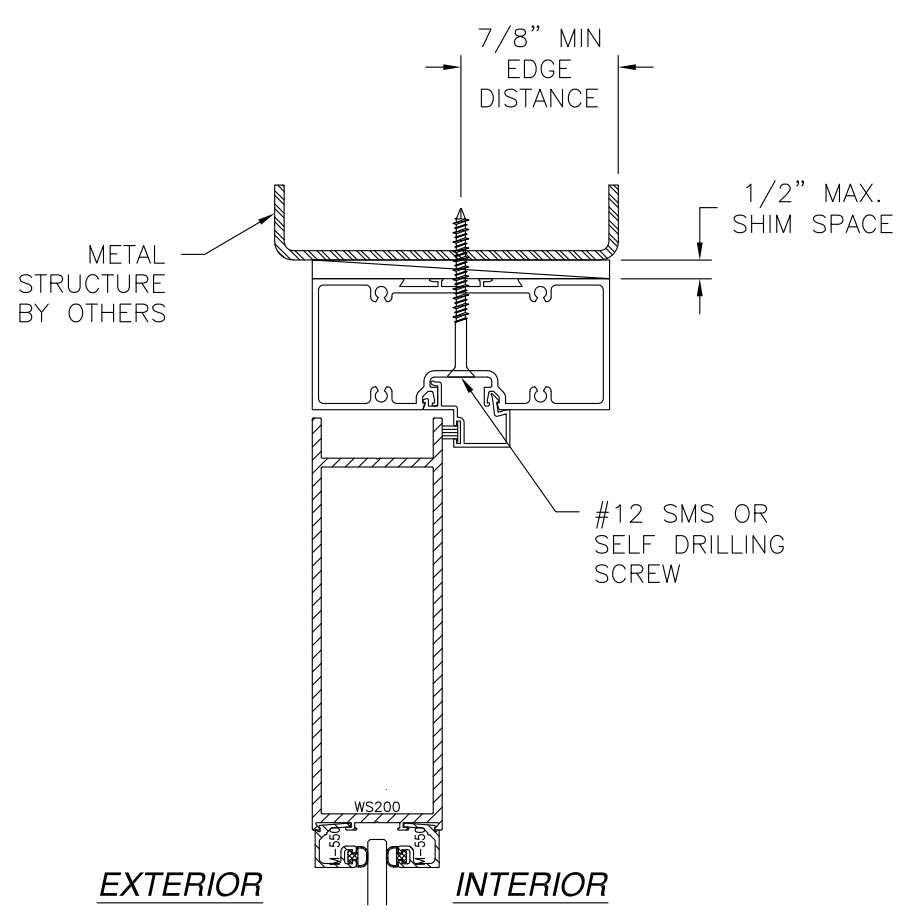
DRAWN: AP	DWG NO. 08-01836	REV A
SCALE NTS	DATE 10/22/12	SHEET 2 OF 4



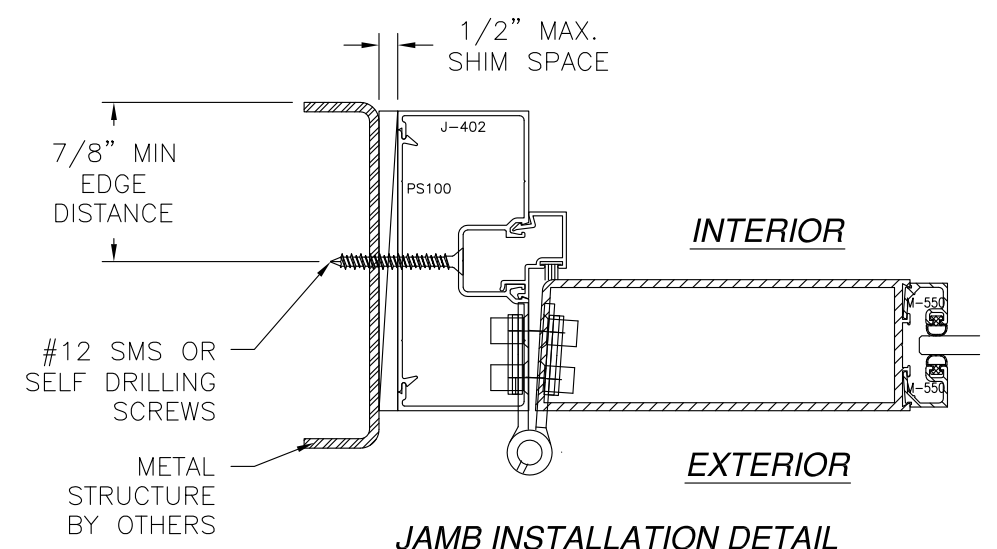
REVISIONS			
REV	DESCRIPTION	DATE	APPROVED
A	REVISED INSTALLATION DETAILS	05/13/2015	R.L.



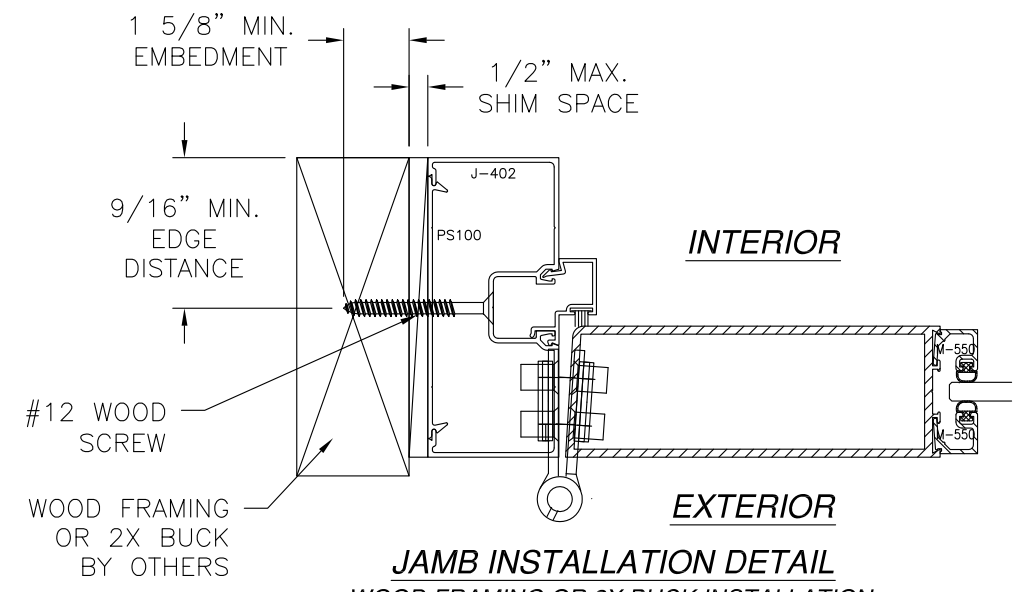
EXTERIOR INTERIOR



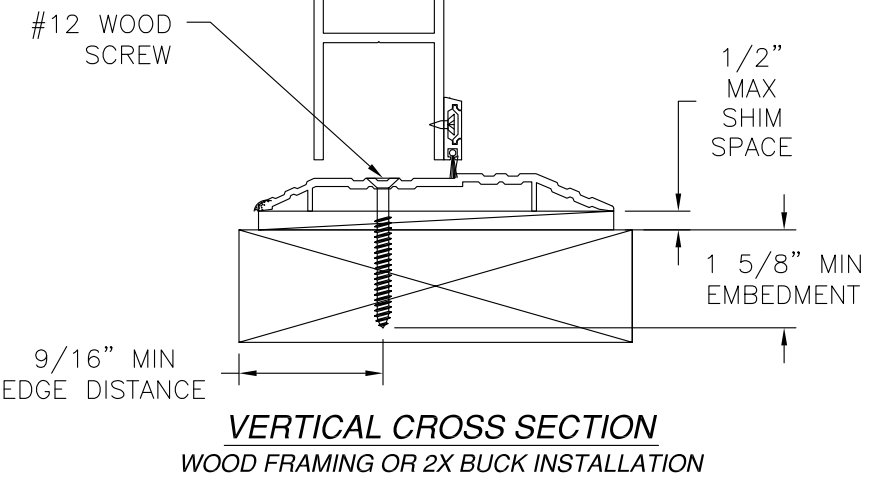
EXTERIOR INTERIOR



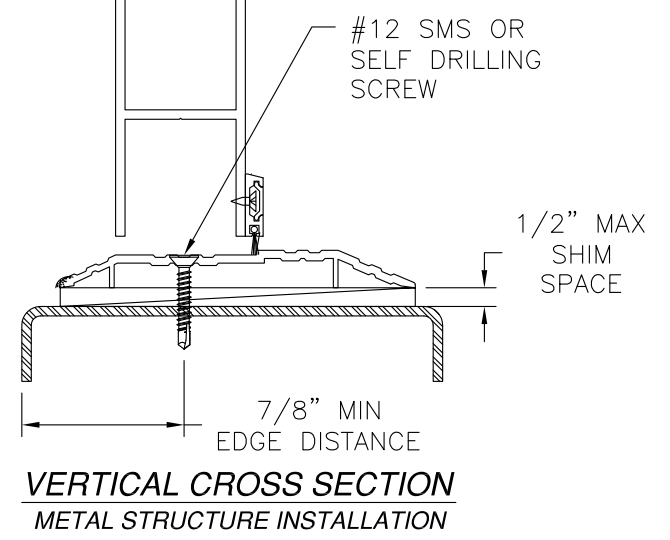
JAMB INSTALLATION DETAIL
METAL STRUCTURE INSTALLATION



JAMB INSTALLATION DETAIL
WOOD FRAMING OR 2X BUCK INSTALLATION



VERTICAL CROSS SECTION
WOOD FRAMING OR 2X BUCK INSTALLATION

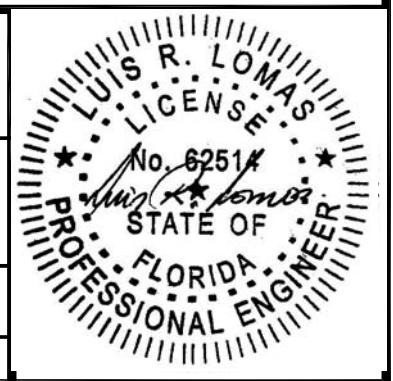


VERTICAL CROSS SECTION
METAL STRUCTURE INSTALLATION

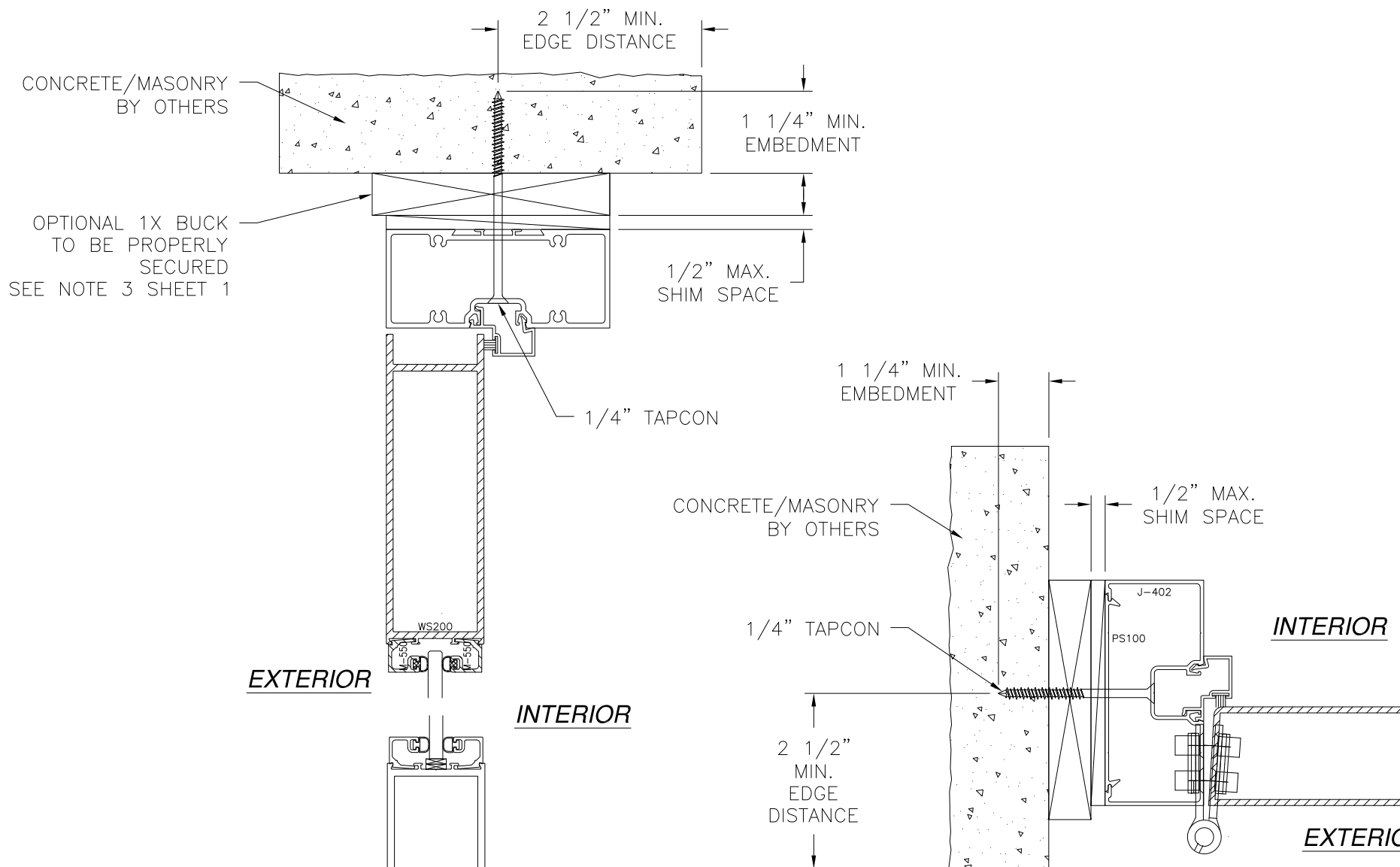
- NOTES:**
1. INTERIOR AND EXTERIOR FINISHES, BY OTHERS, NOT SHOWN FOR CLARITY.
 2. PERIMETER AND JOINT SEALANT BY OTHERS TO BE DESIGNED IN ACCORDANCE WITH ASTM E2112

SIGNED: 05/14/2015

US ALUMINUM DIVISION OF C.R. LAURENCE CO., INC. 720 CEL-RIVER RD. ROAD HILL, SC 29730		
SERIES 550 DOUBLE DOOR NON IMPACT INSTALLATION DETAILS		
DRAWN: AP	DWG NO. 08-01836	REV A
SCALE NTS	DATE 10/22/12	SHEET 3 OF 4

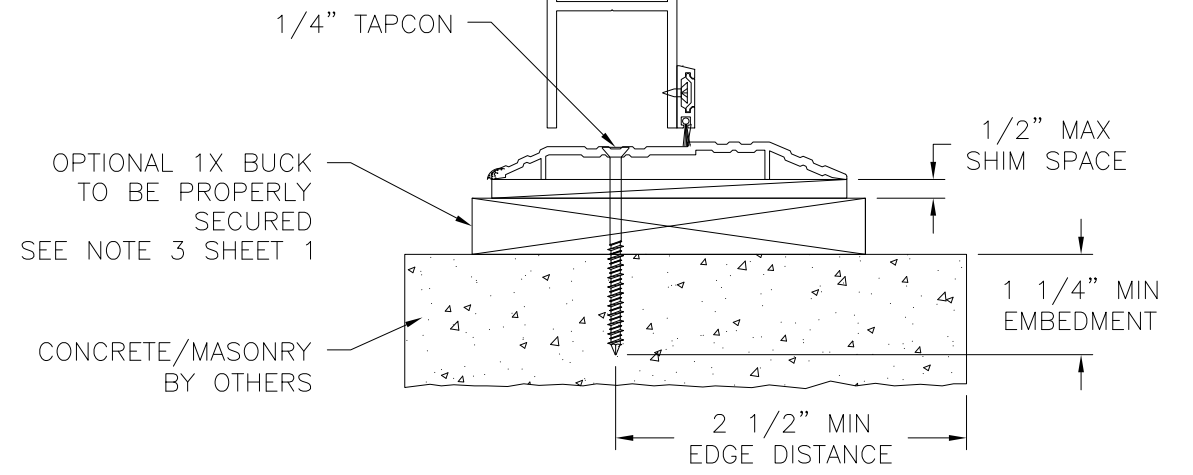


REVISIONS			
REV	DESCRIPTION	DATE	APPROVED
A	REVISED INSTALLATION DETAILS	05/13/2015	R.L.



NOTES:
 1. INTERIOR AND EXTERIOR FINISHES, BY OTHERS, NOT SHOWN FOR CLARITY.
 2. PERIMETER AND JOINT SEALANT BY OTHERS TO BE DESIGNED IN ACCORDANCE WITH ASTM E2112

JAMB INSTALLATION DETAIL
 CONCRETE/MASONRY INSTALLATION



VERTICAL CROSS SECTION
 CONCRETE/MASONRY INSTALLATION

SIGNED: 05/14/2015

US ALUMINUM DIVISION OF C.R. LAURENCE CO., INC. 720 CEL-RIVER RD. ROAD HILL, SC 29730		
SERIES 550 DOUBLE DOOR NON IMPACT INSTALLATION DETAILS		
DRAWN: AP	DWG NO. 08-01836	REV A
SCALE NTS	DATE 10/22/12	SHEET 4 OF 4

