

REVISIONS			
REV	DESCRIPTION	DATE	APPROVED
A	ADDED GLAZING DETAILS	07/09/12	R.L.
B	REVISED INSTALLATION DETAILS	04/24/15	R.L.

NOTES:

- 1) THE PRODUCT SHOWN HEREIN IS DESIGNED AND MANUFACTURED TO COMPLY WITH REQUIREMENTS OF THE FLORIDA BUILDING CODE.
- 2) WOOD FRAMING, STEEL FRAMING AND MASONRY OPENING TO BE DESIGNED AND ANCHORED TO PROPERLY TRANSFER ALL LOADS TO STRUCTURE. FRAMING AND MASONRY OPENING IS THE RESPONSIBILITY OF THE ARCHITECT OR ENGINEER OF RECORD.
- 3) ALLOWABLE STRESS INCREASE OF 1/3 WAS NOT USED IN THE DESIGN OF THE PRODUCT SHOWN HEREIN. WIND LOAD DURATION FACTOR Cd=1.6 WAS USED FOR WOOD ANCHOR CALCULATIONS.
- 4) FRAME MATERIAL: EXTRUDED ALUMINUM 6063-T5
- 5) UNITS MUST BE GLAZED PER ASTM E1300-04, SEE SHEET 4 FOR DETAILS
- 6) APPROVED IMPACT PROTECTIVE SYSTEM IS REQUIRED FOR THIS PRODUCT IN WIND BORNE DEBRIS REGIONS.
- 7) DOORS MAY BE LEFT HAND OUTSWING OR RIGHT HAND OUTSWING.
- 8) MAXIMUM TRANSOM D.L.O.:
SERIES IG500: 18 1/16"
SERIES IG600: 19"
- 9) MAXIMUM DOOR FRAME HEIGHT.:
SERIES IG500: 99 7/16"
SERIES IG600: 98 1/2"
- 10) HINGE LOCATIONS FROM BOTTOM OF PANEL UP TO BOTTOM OF HINGE:
FIRST HINGE = 6"
SECOND HINGE = 45 1/2"
THIRD HINGE = 84 15/16"
- 11) THIS SYSTEM IS FIELD GLAZED AND ASSEMBLED. CONTRACTOR/GLAZIER IS RESPONSIBLE FOR COMPLYING WITH GLAZING AND ASSEMBLY REQUIREMENTS.

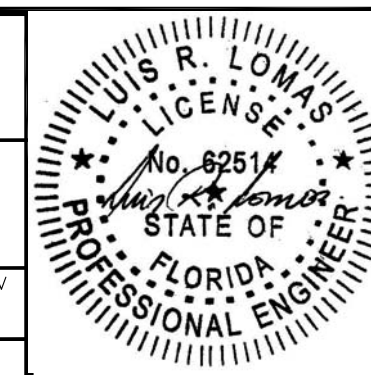
ANCHORING NOTES:

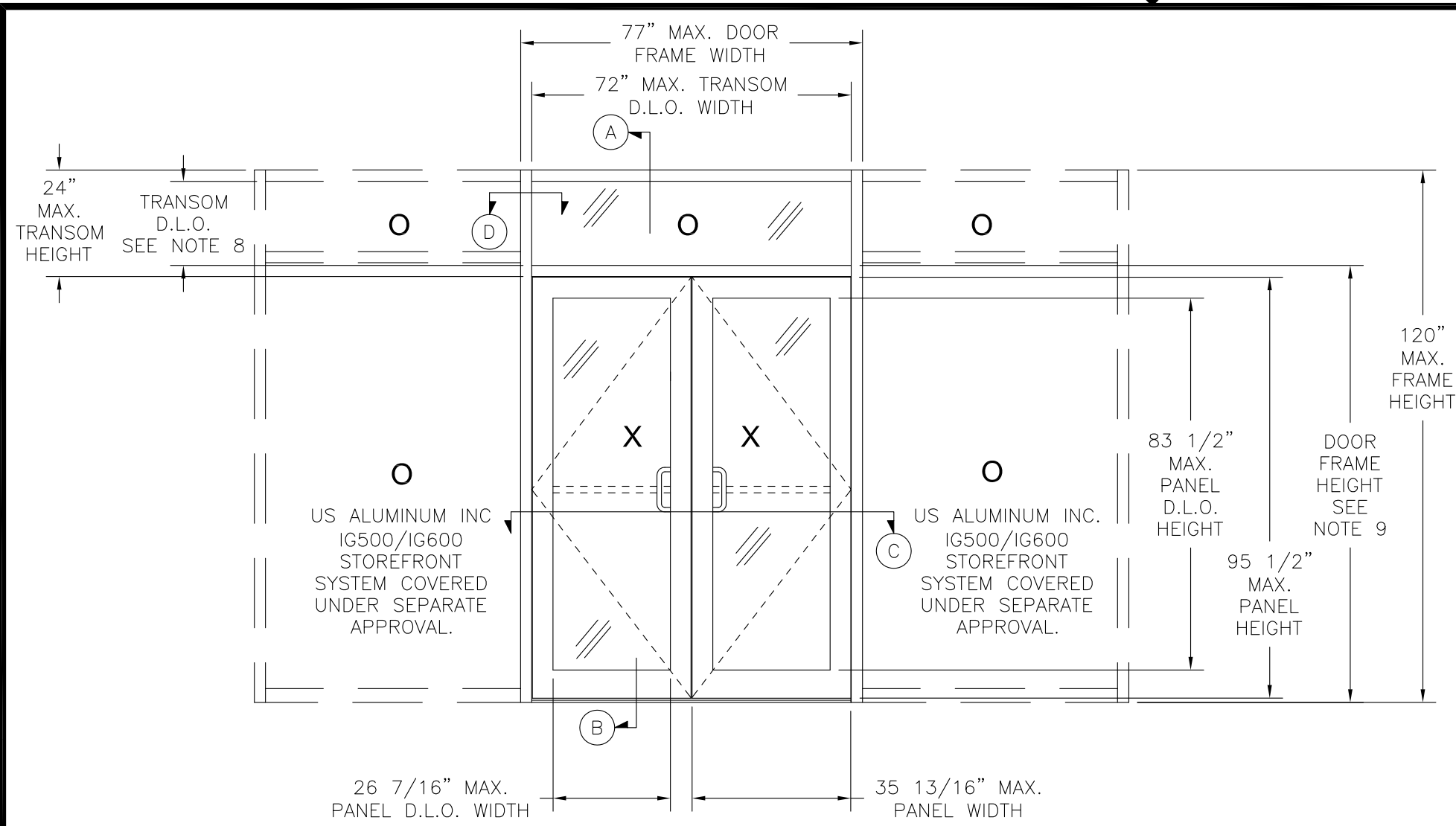
- 1) SHIM AS REQUIRED AT EACH INSTALLATION ANCHOR WITH LOAD BEARING SHIM. SHIM WHERE SPACE OF 1/16" OR GREATER OCCURS. MAXIMUM ALLOWABLE SHIM STACK TO BE 1/2".
- 2) FOR ANCHORING HEAD AND AIR SILL TO CONCRETE USE 1/4" ELCO ULTRACON TAPCONS WITH SUFFICIENT LENGTH TO ACHIEVE A 1 3/8" MINIMUM EMBEDMENT INTO SUBSTRATE WITH 2 1/2" MINIMUM EDGE DISTANCE.
- 3) FOR ANCHORING WATER THRESHOLD INTO CONCRETE USE 3/8" POWER-BOLT ANCHORS WITH SUFFICIENT LENGTH TO ACHIEVE A 2" MINIMUM EMBEDMENT INTO SUBSTRATE WITH 4 1/2" MINIMUM EDGE DISTANCE.
- 4) FOR ANCHORING JAMBS INTO MASONRY/CONCRETE USE 1/4" ELCO ULTRACON TAPCONS WITH SUFFICIENT LENGTH TO ACHIEVE A 1 1/4" MINIMUM EMBEDMENT INTO SUBSTRATE WITH 2 1/2" MINIMUM EDGE DISTANCE.
- 5) FOR ANCHORING HEAD AND JAMBS INTO WOOD FRAME USE #14 WOOD SCREW WITH SUFFICIENT LENGTH TO ACHIEVE A 1 3/4" MINIMUM EMBEDMENT INTO SUBSTRATE.
- 6) FOR ANCHORING HEAD AND JAMBS INTO STEEL FRAME USE #14 TEK SCREW WITH SUFFICIENT LENGTH TO ACHIEVE 3-THREADS MINIMUM EMBEDMENT BEYOND STEEL FRAMING.
- 7) FOR ANCHORING SILL INTO STEEL FRAME USE 3/8" SELF TAPPING SCREW WITH SUFFICIENT LENGTH TO ACHIEVE 3-THREADS MINIMUM EMBEDMENT BEYOND STEEL FRAMING.
- 8) ALL FASTENERS TO BE CORROSION RESISTANT.
- 9) INSTALLATION ANCHORS SHALL BE INSTALLED IN ACCORDANCE WITH ANCHOR MANUFACTURER'S INSTALLATION INSTRUCTIONS, AND ANCHORS SHALL NOT BE USED IN SUBSTRATES WITH STRENGTHS LESS THAN THE MINIMUM STRENGTH SPECIFIED BELOW:
A. WOOD - MINIMUM SPECIFIC GRAVITY OF G=0.42
B. CONCRETE - MINIMUM COMPRESSIVE STRENGTH OF 2,000 PSI.
C. MASONRY - STRENGTH CONFORMANCE TO ASTM C-90, GRADE N, TYPE 1 (OR GREATER).
D. STEEL FRAMING - 16GA. (.063") MINIMUM STEEL STUD.
- 10) ALL DISSIMILAR MATERIALS MUST BE SEPARATED PER STANDARD INSTALLATION PRACTICES.

TABLE OF CONTENTS	
SHEET NO.	DESCRIPTION
1	NOTES
2	ELEVATIONS
3	ADDITIONAL APPROVED CONFIGURATIONS
4	ANCHORING LAYOUT AND NOTES
5	BILL OF MATERIALS AND GLAZING DETAILS
6 - 7	CROSS SECTIONS
8 - 11	INSTALLATION DETAILS
12 - 14	COMPONENTS
15	PANEL AND FRAME ASSEMBLY DETAILS

US ALUMINUM DIVISION OF C.R. LAURENCE CO., INC. 720 CEL-RIVER RD., ROCK HILL, SC 29730		
SERIES IG500/IG600 STORM FRONT OS ALUMINUM STOREFRONT DOOR SYSTEM NON - IMPACT NOTES		
DRAWN: AP	DWG NO. 08-01579	REV B
SCALE NTS	DATE 06/12/12	SHEET 1 OF 15

SIGNED: 05/08/2015





REVISIONS			
REV	DESCRIPTION	DATE	APPROVED
A	ADDED GLAZING DETAILS	07/09/12	R.L.
B	REVISED INSTALLATION DETAILS	04/24/15	R.L.

SERIES IG500/IG600 STORM FRONT OS ALUMINUM STOREFRONT
DOUBLE DOOR WITH TRANSOM
 EXTERIOR VIEW

UNITS INSTALLED WITH WATER THRESHOLD, ITEMS #5 AND #6

DESIGN PRESSURE RATING	IMPACT RATING
±65PSF	NONE

UNITS INSTALLED WITH AIR SILL, ITEM #7

DESIGN PRESSURE RATING	IMPACT RATING
±65PSF	NONE
THIS SYSTEM WAS NOT TESTED FOR WATER INFILTRATION AND IS TO BE INSTALLED ONLY WHERE THE WATER REQUIREMENT IS NOT NEEDED	

Panel Height (in)	Single Panel Width (in)					
	Pos	Neg	Pos	Neg	Pos	Neg
24.00						
30.00						
35.75						
80.00	100.0	100.0	92.5	92.5	81.2	81.2
84.00	100.0	100.0	87.1	87.1	76.3	76.3
90.00	96.4	96.4	80.2	80.2	70.0	70.0
95.50	90.0	90.0	74.7	74.7	65.0	65.0

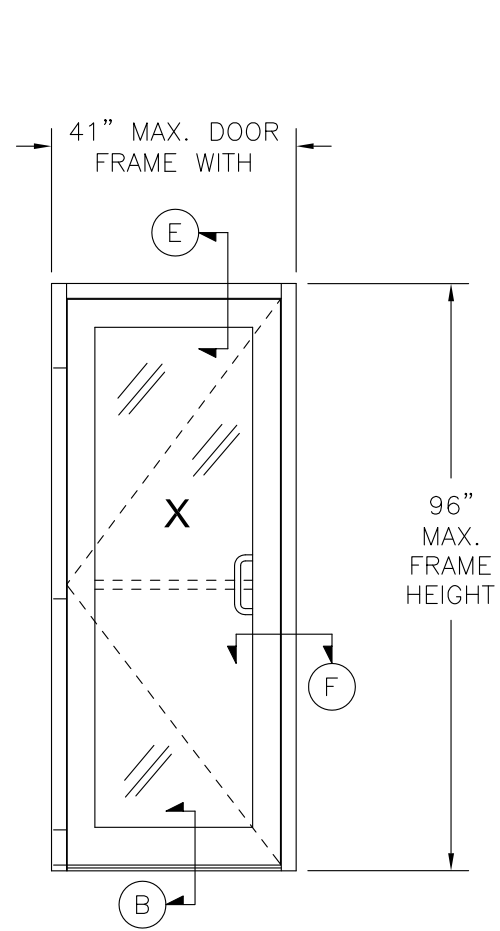
REFER TO RATING BOXES FOR WATER LIMITATIONS.

US ALUMINUM DIVISION OF C.R. LAURENCE CO., INC. 720 CEL-RIVER RD., ROCK HILL, SC 29730		
SERIES IG500/IG600 STORM FRONT OS ALUMINUM STOREFRONT DOOR SYSTEM NON - IMPACT ELEVATION		
DRAWN: AP	DWG NO. 08-01579	REV B
SCALE NTS	DATE 06/12/12	SHEET 2 OF 15

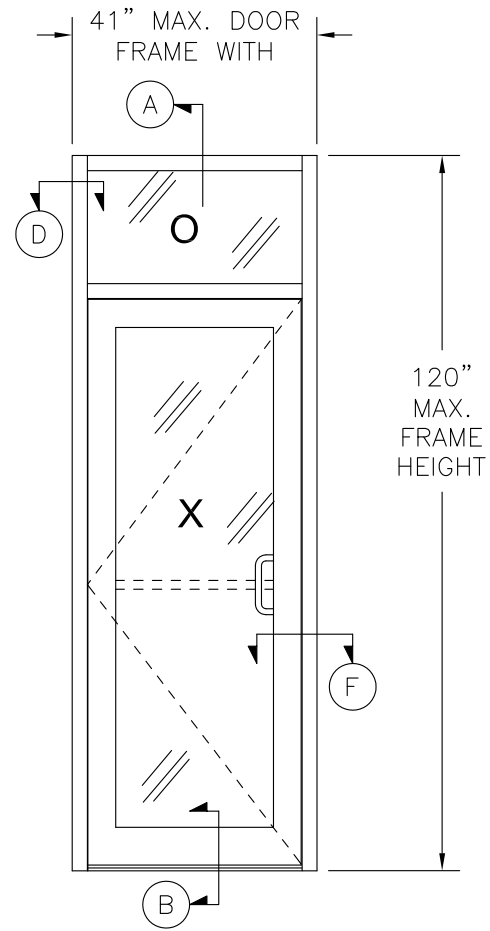
SIGNED: 05/08/2015



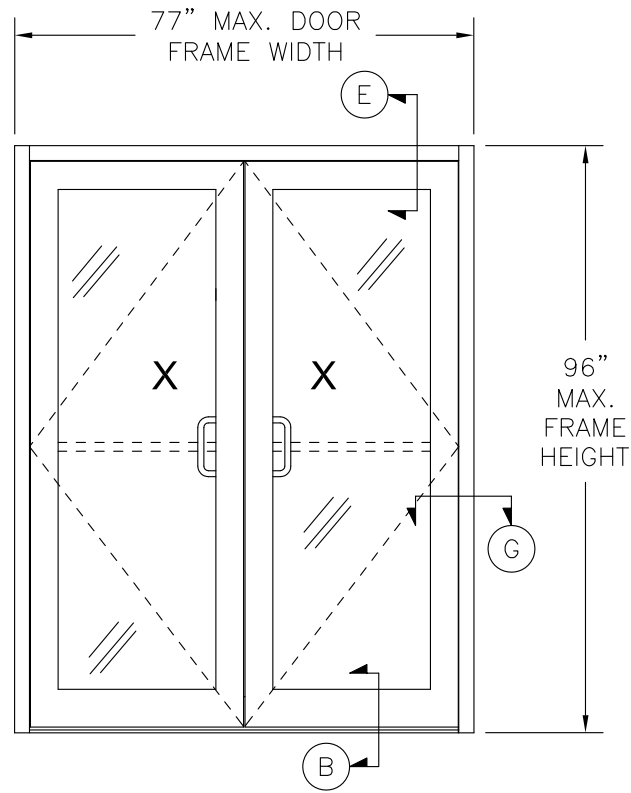
REVISIONS			
REV	DESCRIPTION	DATE	APPROVED
A	ADDED GLAZING DETAILS	07/09/12	R.L.
B	REVISED INSTALLATION DETAILS	04/24/15	R.L.



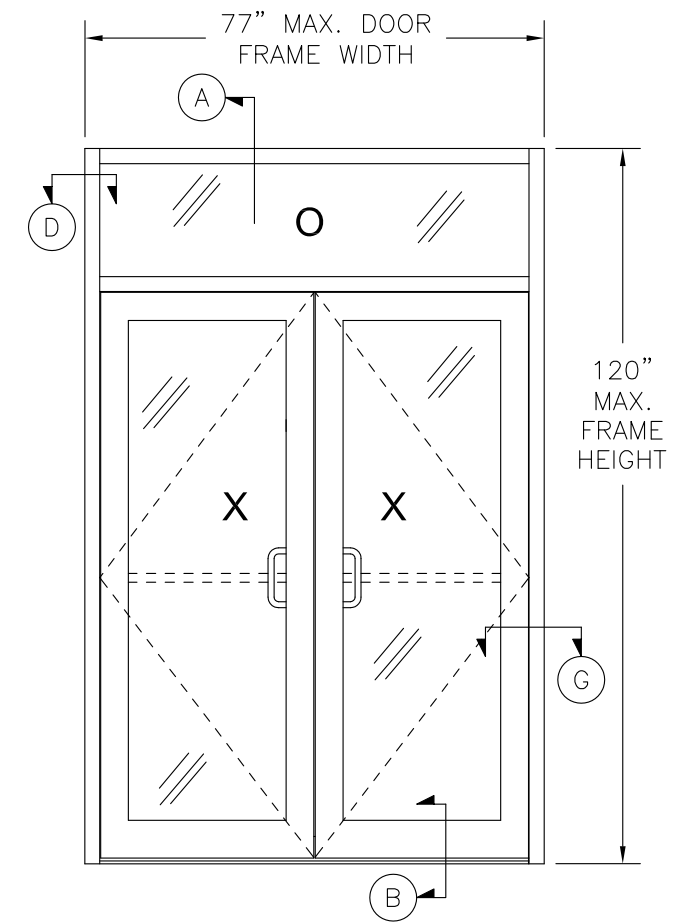
SINGLE



SINGLE W/TRANSOM



DOUBLE



DOUBLE W/TRANSOM

HARDWARE SCHEDULE

HINGING METHOD	PUSH / PULLS
HAGER BUTT HINGE	STANDARD PUSH BAR
DH299 GEAR HINGE PEMKO	STANDARD PULL HANDLE
DH022 OFFSET PIVOTS	ROCKWOOD PUSH/PULL BX15745

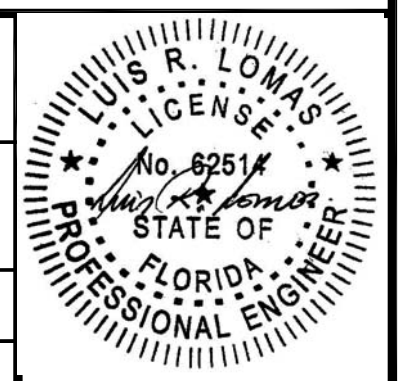
LOCKS / EXIT DEVICES	CLOSERS
USAL SIX PIN CYLINDER AND CYLINDER RING	CRL 045 SMC
USAL THUMB TURN	JACKSON 20-330 OHCC
USAL FLUSH BOLTS	LCN4111 SMOOTHIE SMC
JACKSON 1285 CVR PANIC	LCN1461 SMC
JACKSON 2086 CVR PANIC	LCN 2030 OHCC
IVES FLUSH BOLTS	LCN 4040 SUPER SMOOTHIE SMC
ADAMS RITE 1850	DORMA 650 SMC
ADAMS RITE 1880	DORMA 650 PAFHO SMC
ADAMSRITE G86 CVR PANIC	
AHT CVR PANIC	

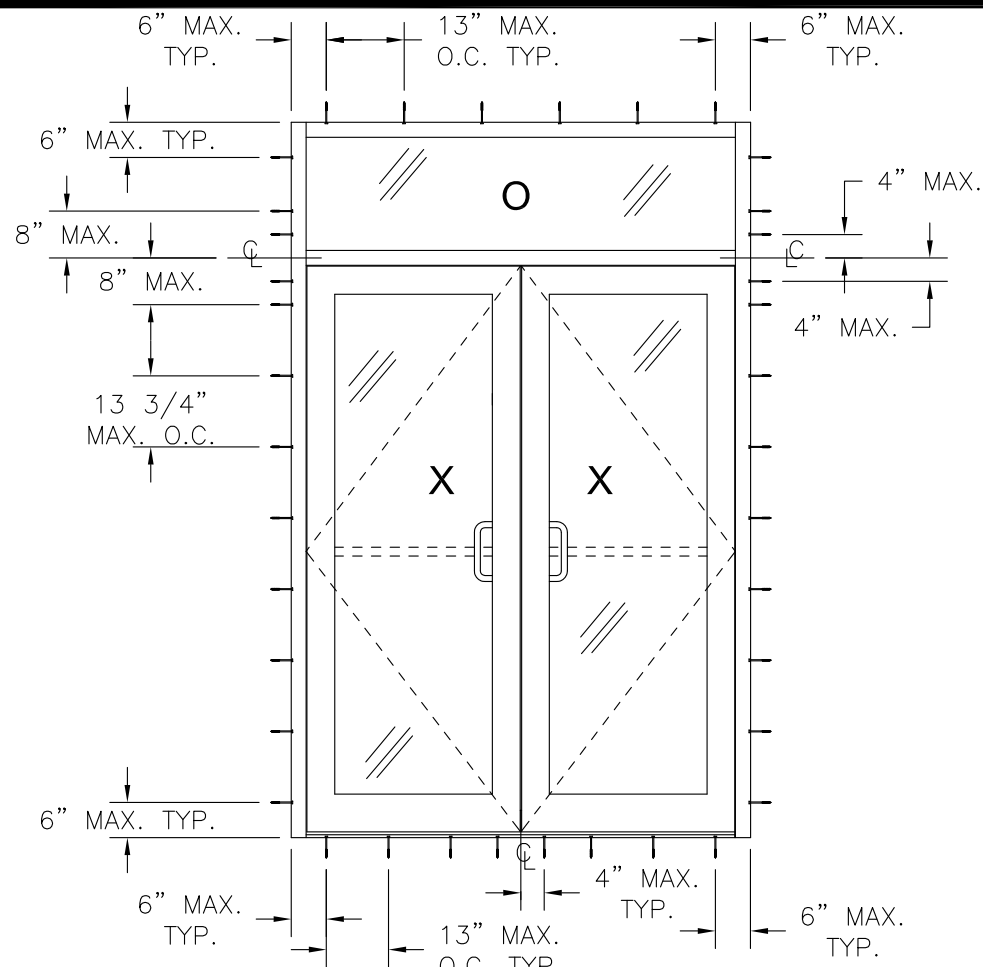
SIGNED: 05/08/2015

US ALUMINUM
 DIVISION OF C.R. LAURENCE CO., INC.
 720 CEL-RIVER RD., ROCK HILL, SC 29730

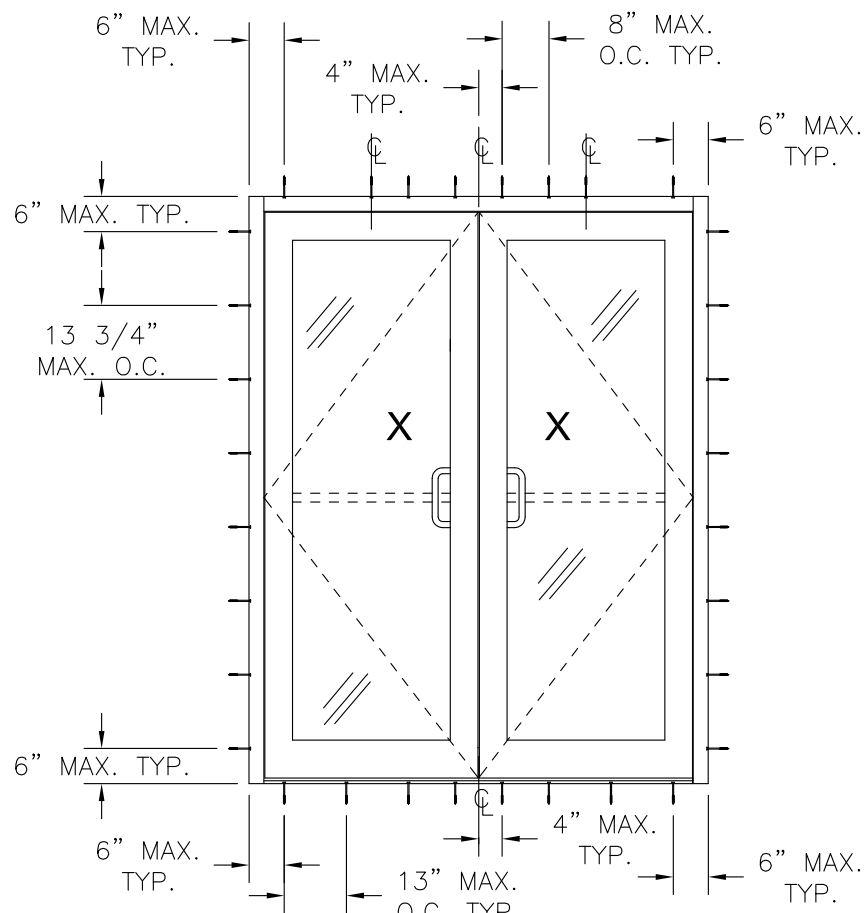
SERIES IG500/IG600 STORM FRONT OS ALUMINUM
 STOREFRONT DOOR SYSTEM NON - IMPACT
 ADDITIONAL APPROVED CONFIGURATIONS

DRAWN: AP	DWG NO. 08-01579	REV B
SCALE NTS	DATE 06/12/12	SHEET 3 OF 15

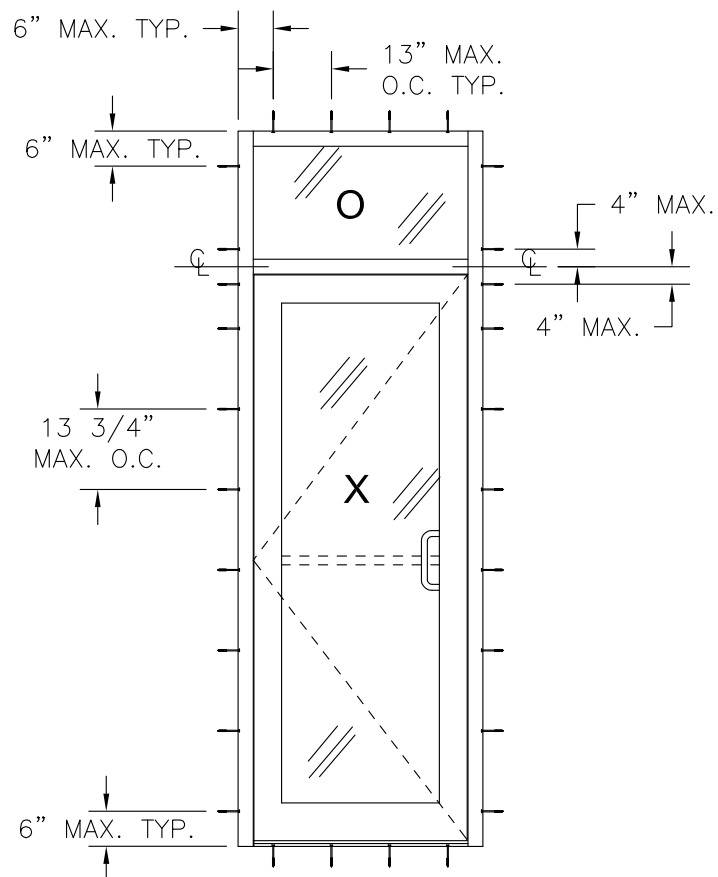




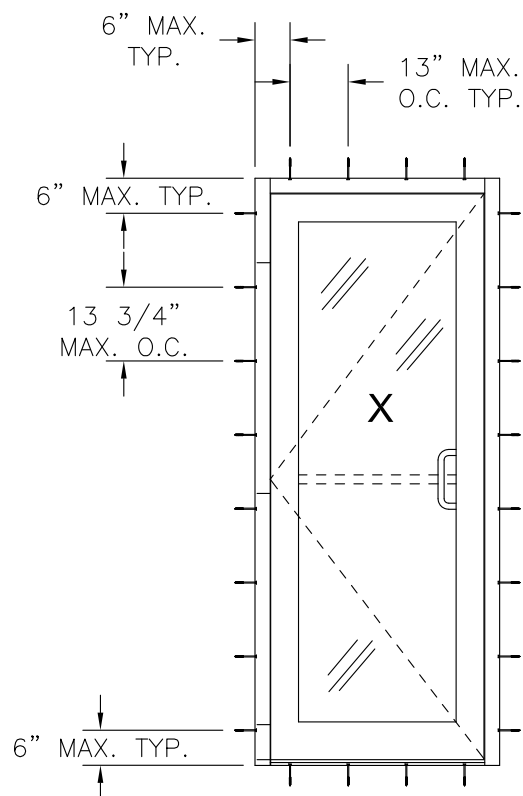
DOUBLE W/TRANSOM



DOUBLE

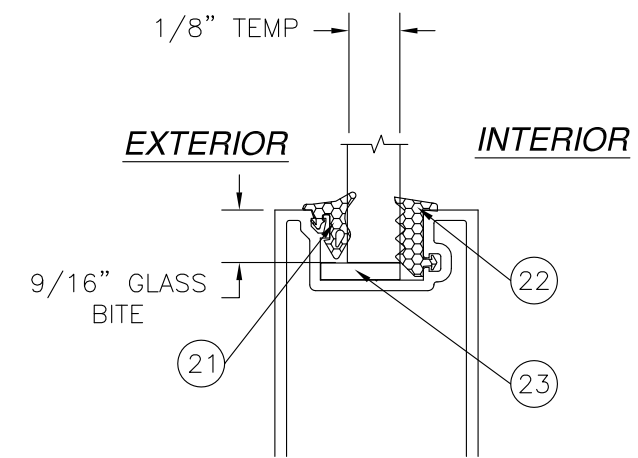


SINGLE W/TRANSOM

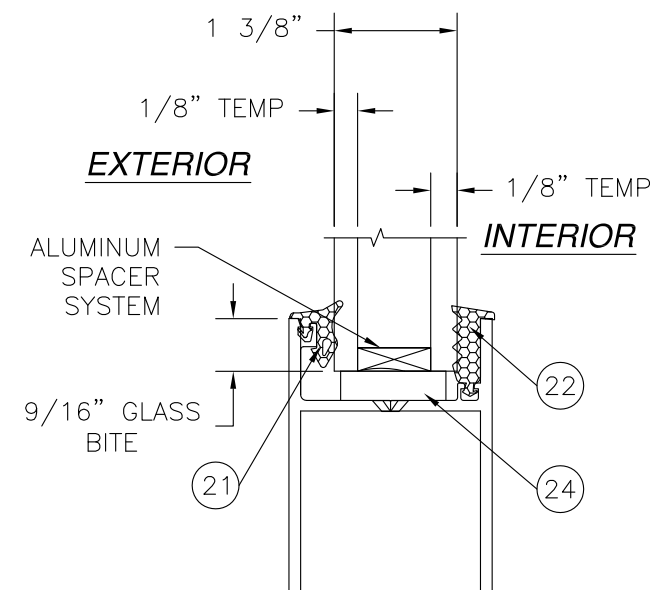


SINGLE

REVISIONS			
REV	DESCRIPTION	DATE	APPROVED
A	ADDED GLAZING DETAILS	07/09/12	R.L.
B	REVISED INSTALLATION DETAILS	04/24/15	R.L.



GLAZING DETAIL "A"



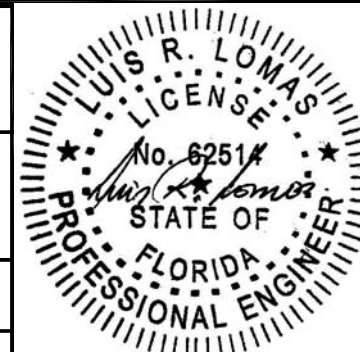
GLAZING DETAIL "B"

SIGNED: 05/08/2015

US ALUMINUM
 DIVISION OF C.R. LAURENCE CO., INC.
 720 CEL-RIVER RD., ROCK HILL, SC 29730

SERIES IG500/IG600 STORM FRONT OS ALUMINUM
 STOREFRONT DOOR SYSTEM NON - IMPACT
 ANCHORING LAYOUT AND NOTES

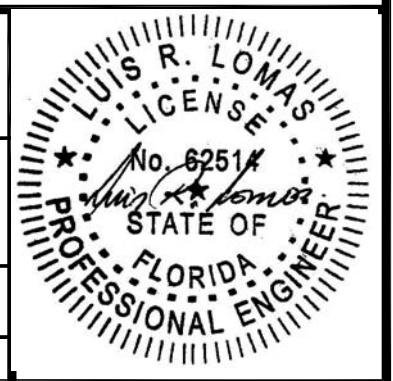
DRAWN: AP	DWG NO. 08-01579	REV B
SCALE NTS	DATE 06/12/12	SHEET 4 OF 15

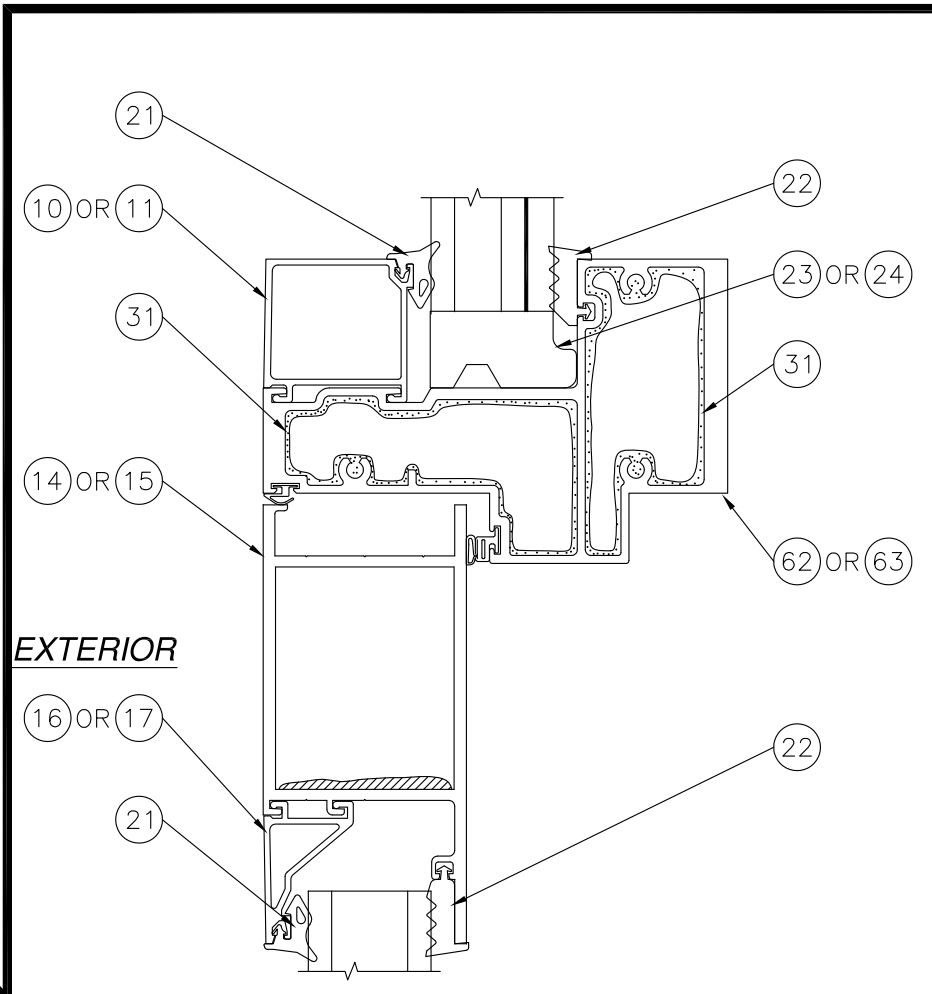


PARTS LIST										REVISIONS		
NO.	PART NUMBER	DESCRIPTION	MANUFACTURER	MATERIAL	REV	DESCRIPTION	DATE	APPROVED				
1	IG526	MAIN FRAME - 9/16" GLASS	US ALUMINUM	ALUMINUM 6063-T5								
2	IG626	MAIN FRAME - 1 5/16" GLASS	US ALUMINUM	ALUMINUM 6063-T5					A	ADDED GLAZING DETAILS	07/09/12	R.L.
3	IG577	HORIZONTAL MULL - 9/16" GLASS	US ALUMINUM	ALUMINUM 6063-T5					B	REVISED INSTALLATION DETAILS	04/24/15	R.L.
					PARTS LIST							
4	IG677	HORIZONTAL MULL - 1 5/16" GLASS	US ALUMINUM	ALUMINUM 6063-T5	NO.	PART NUMBER	DESCRIPTION	MANUFACTURER	MATERIAL			
5	IG570	SUB-SILL	US ALUMINUM	ALUMINUM 6063-T5	41	IE450	LOCK STILE - 9/16" GLASS	US ALUMINUM	ALUMINUM 6063-T5			
6	TH800	WATER THRESHOLD	US ALUMINUM	ALUMINUM 6063-T5	42	IE550	LOCK STILE - 1 5/16" GLASS	US ALUMINUM	ALUMINUM 6063-T5			
7	TH811	AIR SILL	US ALUMINUM	ALUMINUM 6063-T5	43	IE460	LOCK STILE - 9/16" GLASS	US ALUMINUM	ALUMINUM 6063-T5			
8	IG524	FILLER VERTICAL - 9/16" GLASS	US ALUMINUM	ALUMINUM 6063-T5	44	IE560	LOCK STILE - 1 5/16" GLASS	US ALUMINUM	ALUMINUM 6063-T5			
9	IG624	FILLER VERTICAL - 1 5/16" GLASS	US ALUMINUM	ALUMINUM 6063-T5	45	NP802	DOOR WEATHERSTRIP	US ALUMINUM				
10	IG563	STOP - 9/16" GLASS	US ALUMINUM	ALUMINUM 6063-T5	46	CB802	SHEAR CHANNEL	US ALUMINUM	ALUMINUM 6063-T5			
11	IG663	STOP - 1 5/16" GLASS	US ALUMINUM	ALUMINUM 6063-T5	47	1285	PANIC BAR	JACKSON				
12	IG100	FILLER JAMB/HEAD	US ALUMINUM	ALUMINUM 6063-T5	48	G86	PANIC BAR	ADAMS RITE				
13	EC801	SUB-SILL END DAM	US ALUMINUM	A-245	49	4111	CLOSER	LCN				
14	IE402	TOP RAIL - 9/16" GLASS	US ALUMINUM	ALUMINUM 6063-T5	50	1461	SURFACE CLOSER	LCN				
15	IE502	TOP RAIL - 1 5/16" GLASS	US ALUMINUM	ALUMINUM 6063-T5	51	20-330	OHCC CLOSER	JACKSON				
16	IE050	DOOR GLASS STOP - 9/16" GLASS	US ALUMINUM	ALUMINUM 6063-T5	52	2030	OHCC CLOSER	LCN				
17	IE150	DOOR GLASS STOP - 1 5/16" GLASS	US ALUMINUM	ALUMINUM 6063-T5	53	CL045	SURFACE CLOSER	CR LAWRENCE				
18	IE401	BOTTOM RAIL - 9/16" GLASS	US ALUMINUM	ALUMINUM 6063-T5	54		FLUSH BOLT	US ALUMINUM				
19	IE501	BOTTOM RAIL - 1 5/16" GLASS	US ALUMINUM	ALUMINUM 6063-T5	55		FLUSH BOLT	IVES				
20	NP801	DOOR WEATHERSTRIP	US ALUMINUM		56		STANDARD LOCK					
21	NP825	EXTERIOR GASKET	TREMCO	EDPM 70 DUROMETER	57		1 1/2" BUTT HINGE PAIR	HAGER				
22	NP826	INTERIOR GASKET	TREMCO	EPDM 70 DUROMETER	58	CB801	2 3/8" CORNER BLOCK	US ALUMINUM				
23	SB916	SETTING BLOCK	US ALUMINUM	EPDM 85 DURO	59	ST197	#8 x 3/8" PH SMS					
24	SB917	SETTING BLOCK	US ALUMINUM	EPDM 85 DURO	60	DN350	LOCK STILE CAP	US ALUMINUM	ALUMINUM 6063-T5			
25	ST266	#12 x 1" HWH SMS			61	IG200	DOOR STOP	US ALUMINUM	ALUMINUM 6063-T5			
26	ST268	#12 x 3/4" HWH SMS			62	IG567	HORIZONTAL MULL - 9/16" GLASS	US ALUMINUM	ALUMINUM 6063-T5			
27		NOT USED			63	IG667	HORIZONTAL MULL - 1 5/16" GLASS	US ALUMINUM	ALUMINUM 6063-T5			
28		8GA. STEEL STIFFENER HEAVY	US ALUMINUM	A36 MILD STEEL	64	CB901	CORNER BLOCK	US ALUMINUM				
29	WB600	W BLOCK .688" WIDE			65		3/8" - 16 x 3" HH BOLT					
30	ST035	#10 x 5/8" FH SMS			66	TC800	11GA. THRESHOLD CLIP	US ALUMINUM	COLD ROLLED STEEL			
31	DOW995	SILICONE SEALANT	DOW CORNING	SILICONE	67		#12-24 x 1/4" SCREW					
32	CB801	6 1/8" CORNER BLOCK	US ALUMINUM									
33	TH804	SILL INSERT	US ALUMINUM	ALUMINUM 6063-T5								
34	D916	SETTING BLOCK	US ALUMINUM	EPDM 85 DURO								
35	IE420	PLAIN STILE - 9/16" GLASS	US ALUMINUM	ALUMINUM 6063-T5								
36	IE520	PLAIN STILE - 1 5/16" GLASS	US ALUMINUM	ALUMINUM 6063-T5								
37	IG046	DOOR STOP - 9/16" GLASS	US ALUMINUM	ALUMINUM 6063-T5								
38	IG146	DOOR STOP - 1 5/16" GLASS	US ALUMINUM	ALUMINUM 6063-T5								
39	IG047	STOP RETAINER - 9/16" GLASS	US ALUMINUM	ALUMINUM 6063-T5								
40	IG147	STOP RETAINER - 1 5/16" GLASS	US ALUMINUM	ALUMINUM 6063-T5								

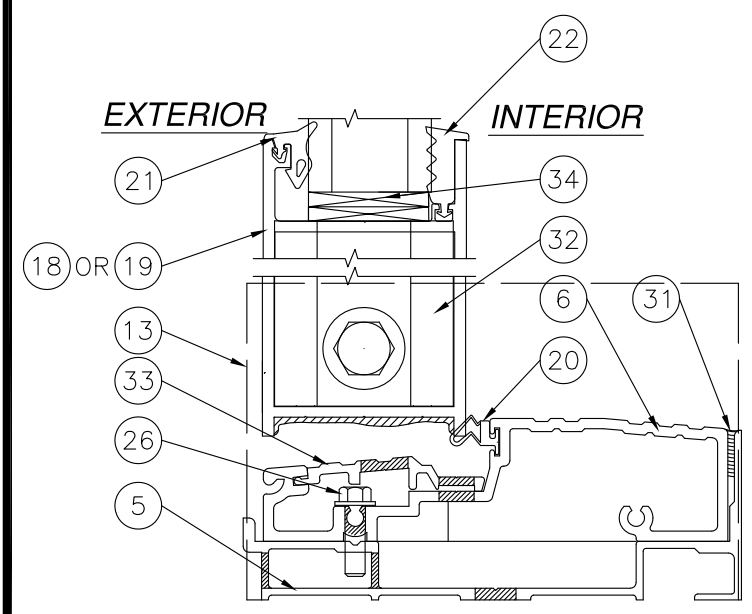
SIGNED: 05/08/2015

US ALUMINUM DIVISION OF C.R. LAURENCE CO., INC. 720 CEL-RIVER RD., ROCK HILL, SC 29730		
SERIES IG500/IG600 STORM FRONT OS ALUMINUM STOREFRONT DOOR SYSTEM NON - IMPACT BILL OF MATERIALS AND GLAZING DETAILS		
DRAWN: AP	DWG NO. 08-01579	REV B
SCALE NTS	DATE 06/12/12	SHEET 5 OF 15

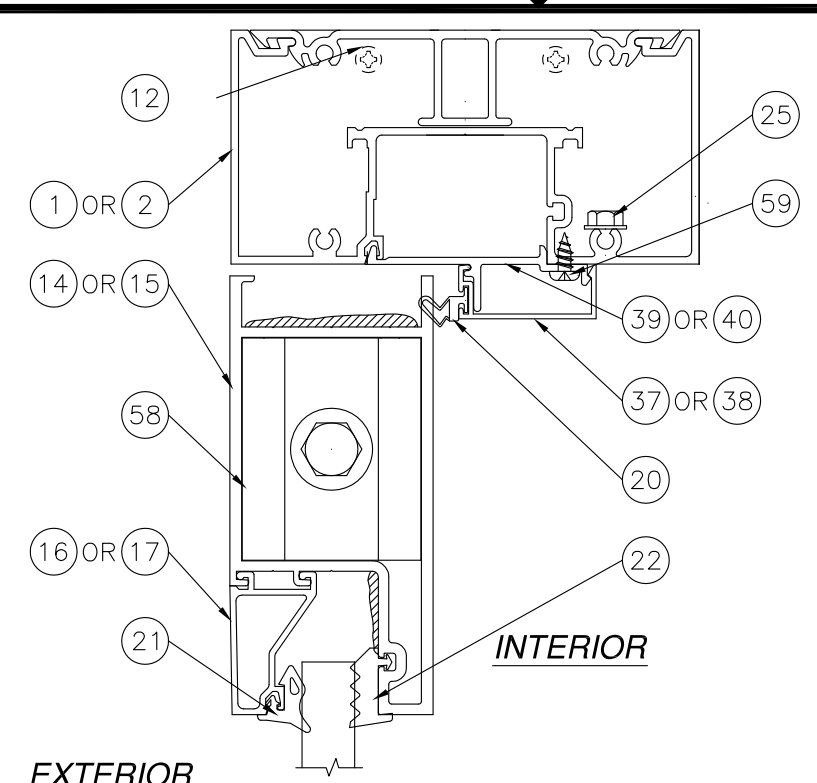




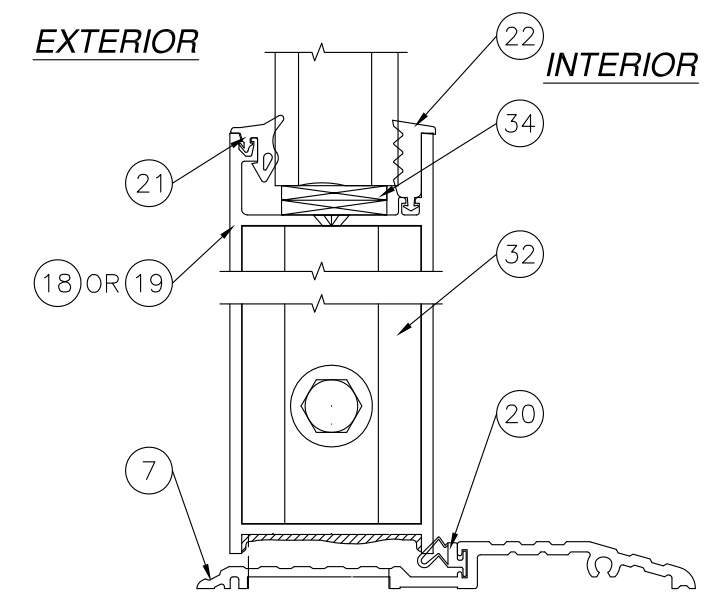
H OPTIONAL DOOR HEADER AND TRANSOM



B DOOR WITH WATER THRESHOLD



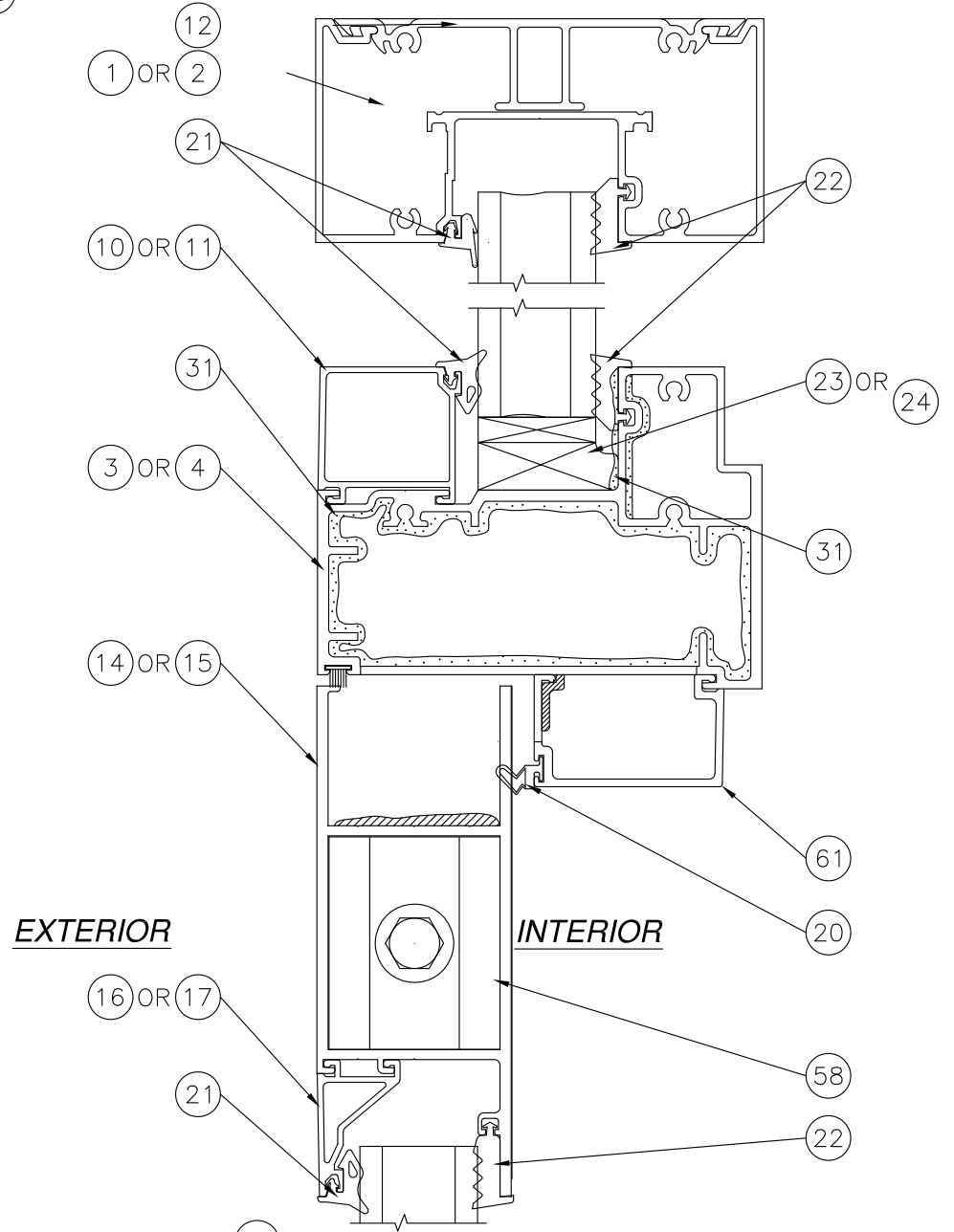
E DOOR HEADER



B DOOR WITH AIR SILL

NOTE: FOR ANCHORING TO SUBSTRATE SEE SHEETS 7 THRU 10.

REVISIONS			
REV	DESCRIPTION	DATE	APPROVED
A	ADDED GLAZING DETAILS	07/09/12	R.L.
B	REVISED INSTALLATION DETAILS	04/24/15	R.L.



A DOOR HEADER AND TRANSOM
FOR OPTIONAL HEADER AND TRANSOM SEE DETAIL H

SIGNED: 05/08/2015

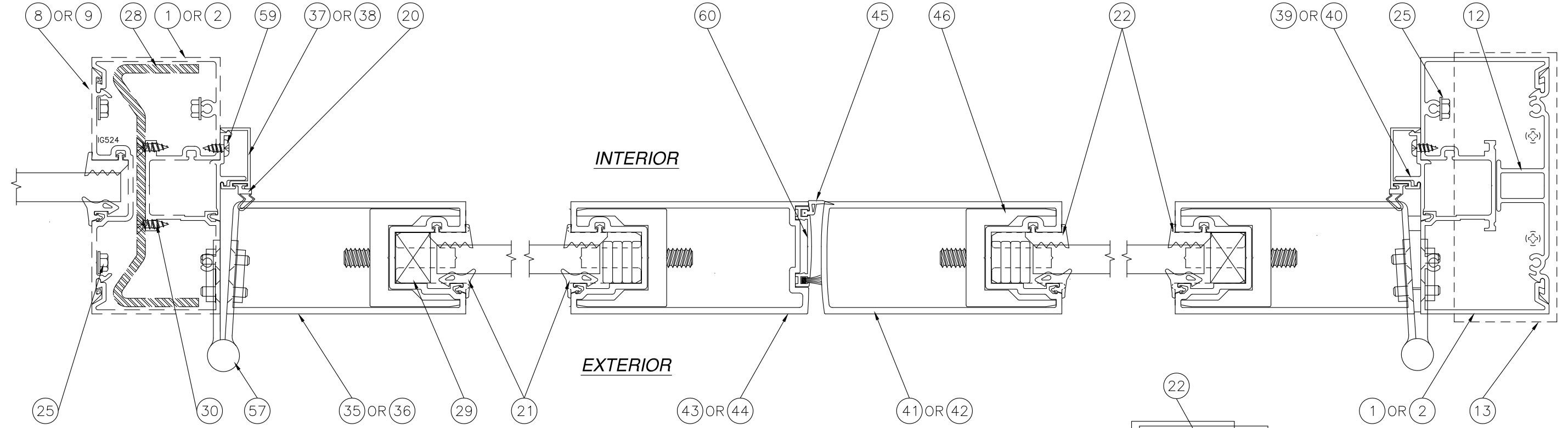
US ALUMINUM
DIVISION OF C.R. LAURENCE CO., INC.
720 CEL-RIVER RD., ROCK HILL, SC 29730

SERIES IG500/IG600 STORM FRONT OS ALUMINUM
STOREFRONT DOOR SYSTEM NON - IMPACT
CROSS SECTIONS

DRAWN: AP	DWG NO. 08-01579	REV B
SCALE NTS	DATE 06/12/12	SHEET 6 OF 15

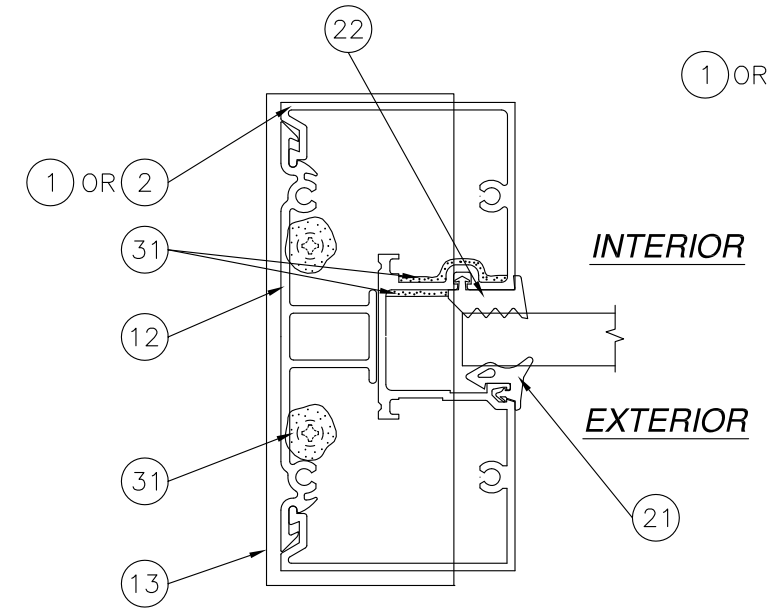


REVISIONS			
REV	DESCRIPTION	DATE	APPROVED
A	ADDED GLAZING DETAILS	07/09/12	R.L.
B	REVISED INSTALLATION DETAILS	04/24/15	R.L.



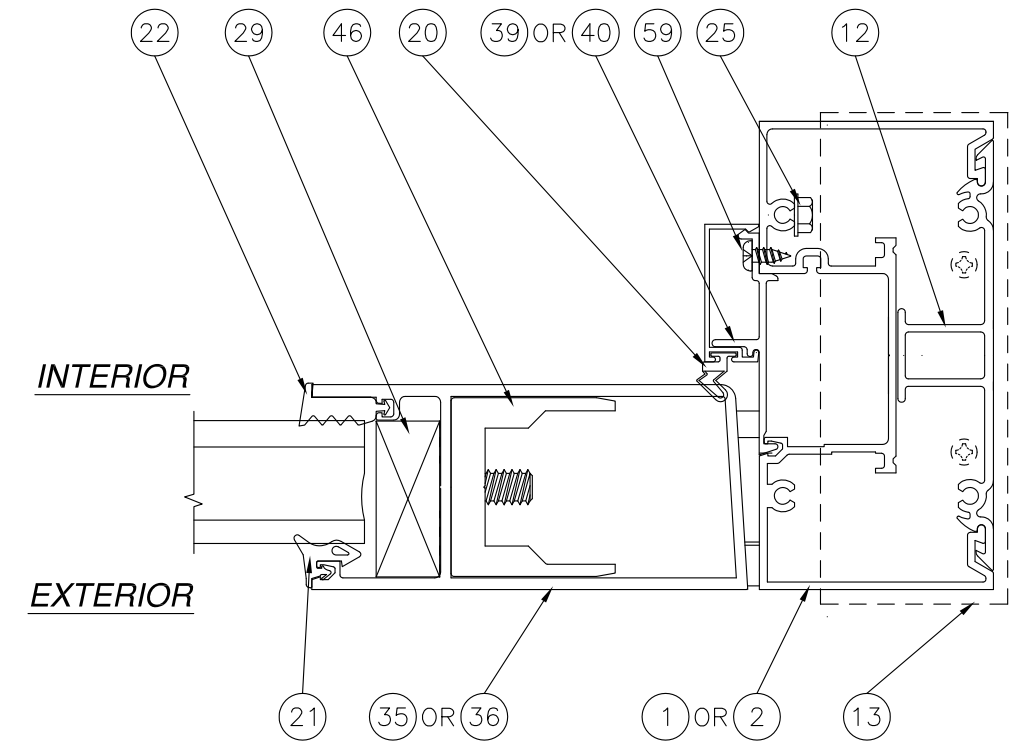
MULLION ASSEMBLY PROPERTIES
 TOTAL Ix (IN TERMS OF ALUMINUM): 16.754 in⁴
 Sx ALUMINUM: 2.115 in³
 Sx STEEL: 4.889 in³

(C) DOUBLE DOOR



(D) TRANSOM JAMB

NOTE: FOR ANCHORING TO SUBSTRATE SEE SHEETS 7 THRU 10.



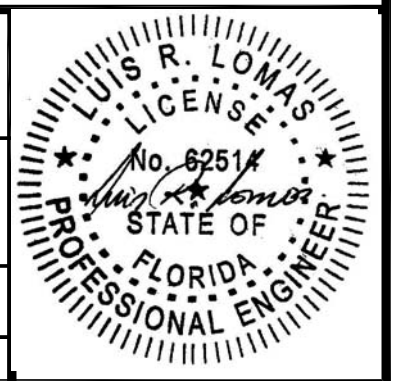
(F) LOCK STILE TO JAMB

SIGNED: 05/08/2015

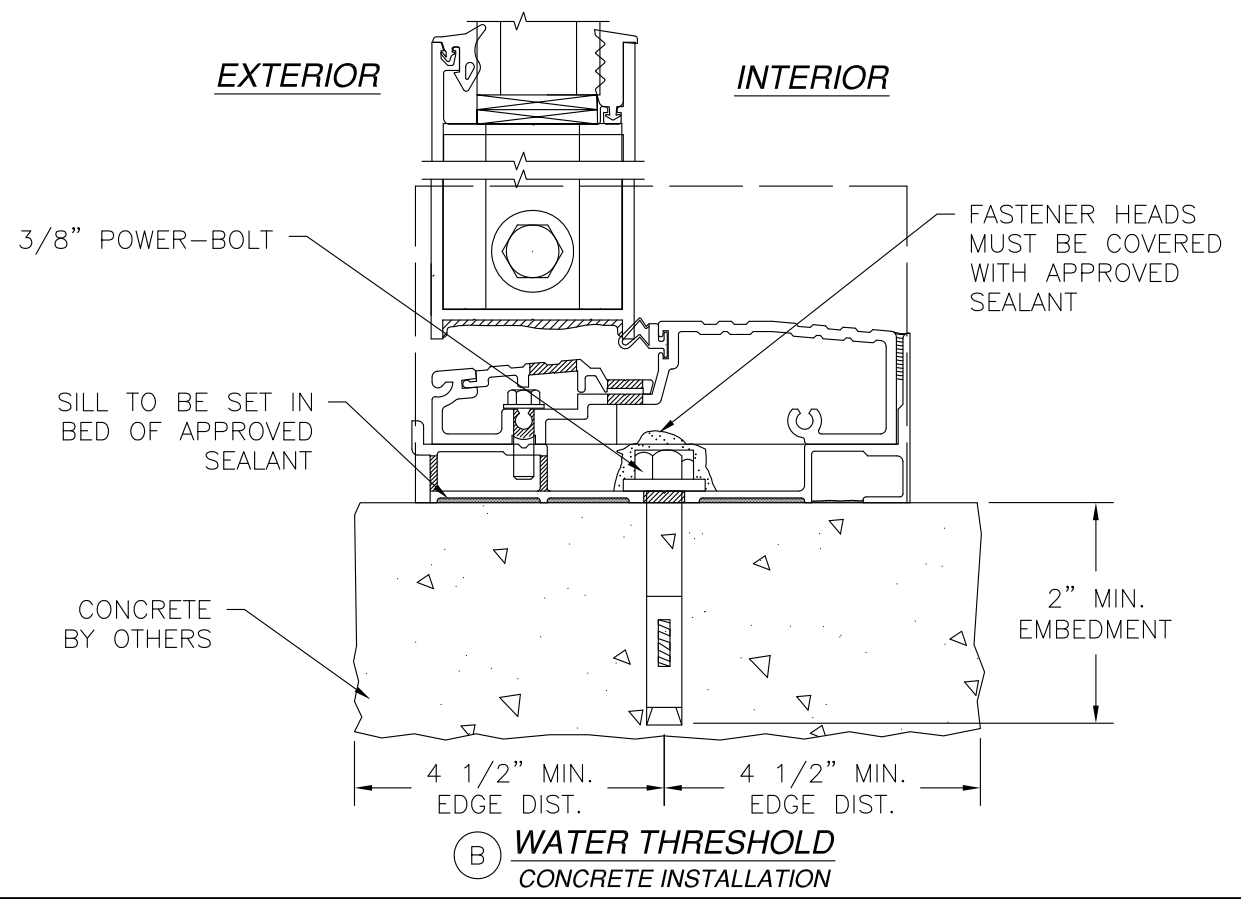
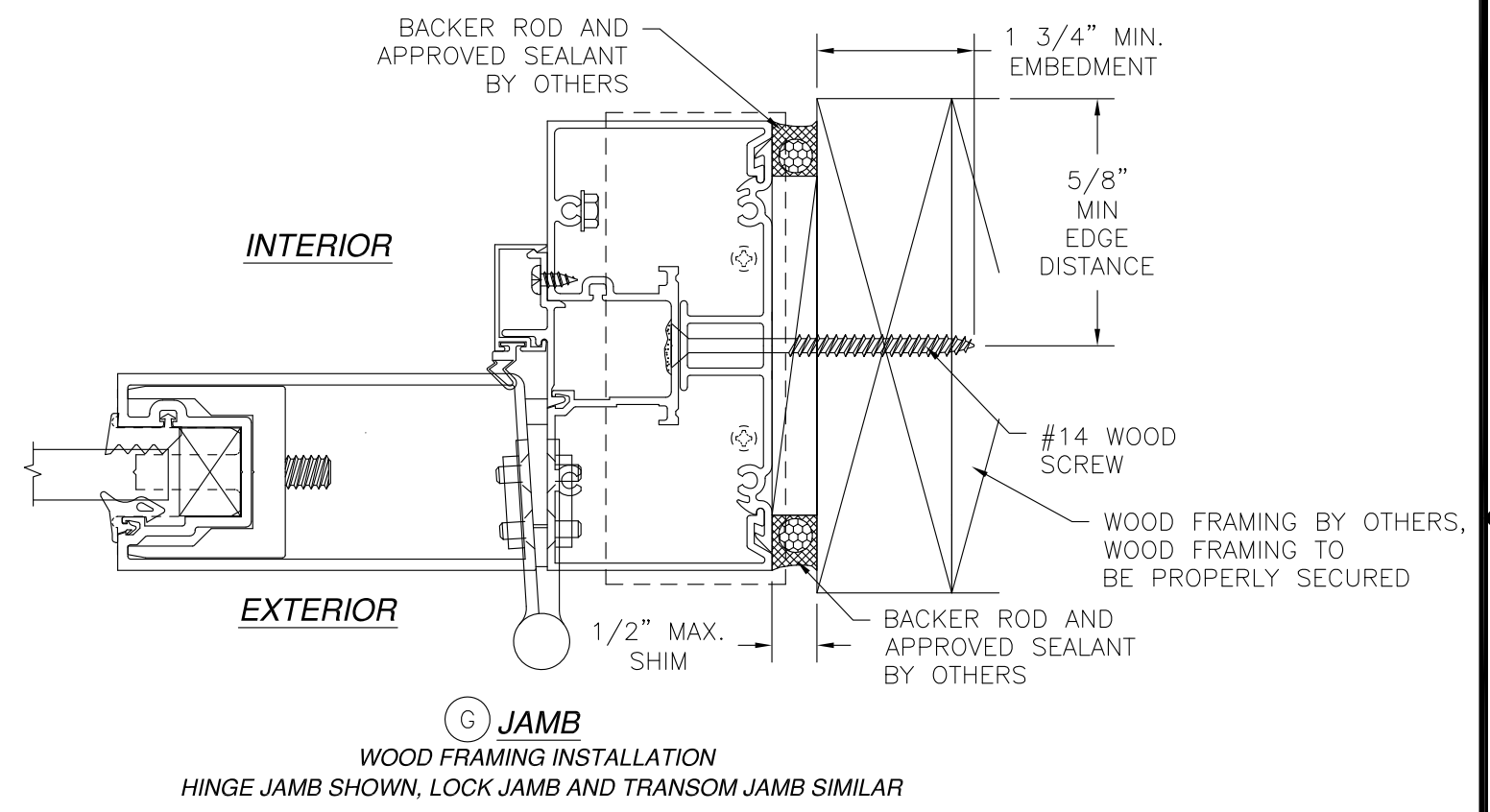
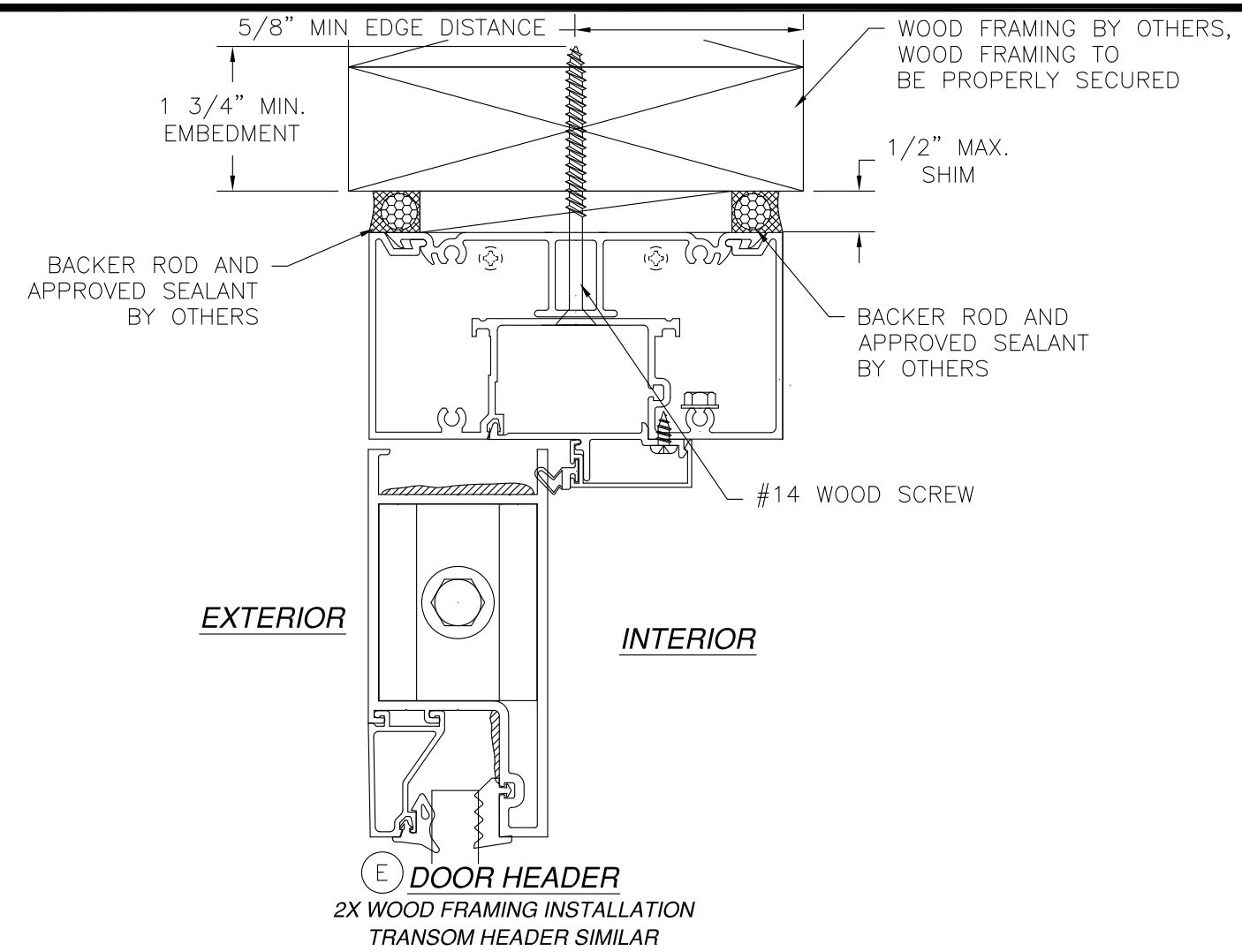
US ALUMINUM
 DIVISION OF C.R. LAURENCE CO., INC.
 720 CEL-RIVER RD., ROCK HILL, SC 29730

SERIES IG500/IG600 STORM FRONT OS ALUMINUM
 STOREFRONT DOOR SYSTEM NON - IMPACT
 CROSS SECTIONS

DRAWN: AP	DWG NO. 08-01579	REV B
SCALE NTS	DATE 06/12/12	SHEET 7 OF 15



REVISIONS			
REV	DESCRIPTION	DATE	APPROVED
A	ADDED GLAZING DETAILS	07/09/12	R.L.
B	REVISED INSTALLATION DETAILS	04/24/15	R.L.



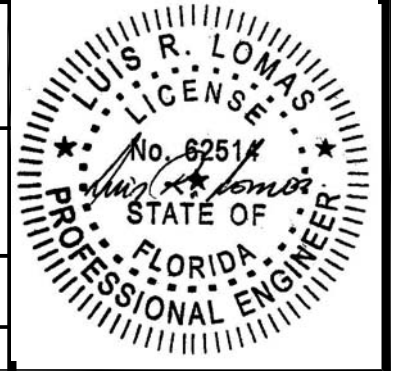
NOTES:
 1. INTERIOR AND EXTERIOR FINISHES, BY OTHERS, NOT SHOWN FOR CLARITY.
 2. PERIMETER AND JOINT SEALANT BY OTHERS TO BE DESIGNED IN ACCORDANCE WITH ASTM E2112

SIGNED: 05/08/2015

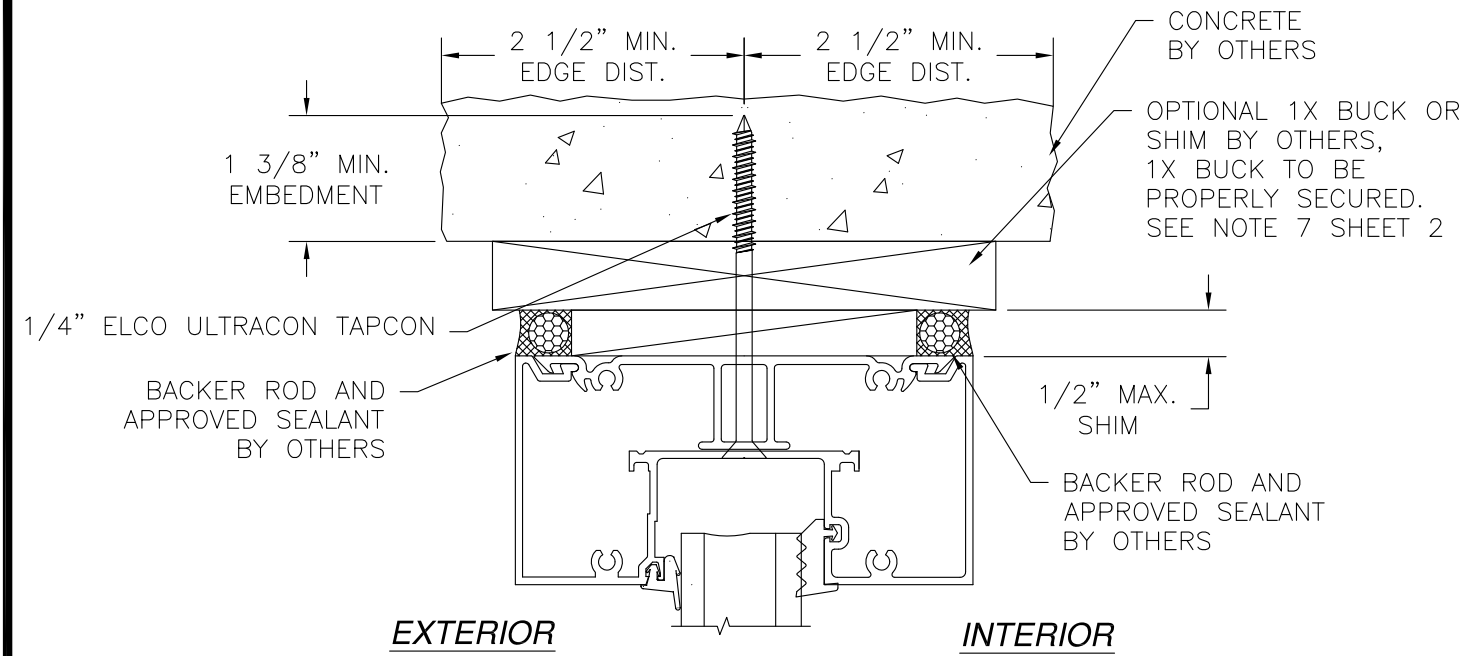
US ALUMINUM
 DIVISION OF C.R. LAURENCE CO., INC.
 720 CEL-RIVER RD., ROCK HILL, SC 29730

SERIES IG500/IG600 STORM FRONT OS ALUMINUM
 STOREFRONT DOOR SYSTEM NON - IMPACT
 INSTALLATION DETAILS

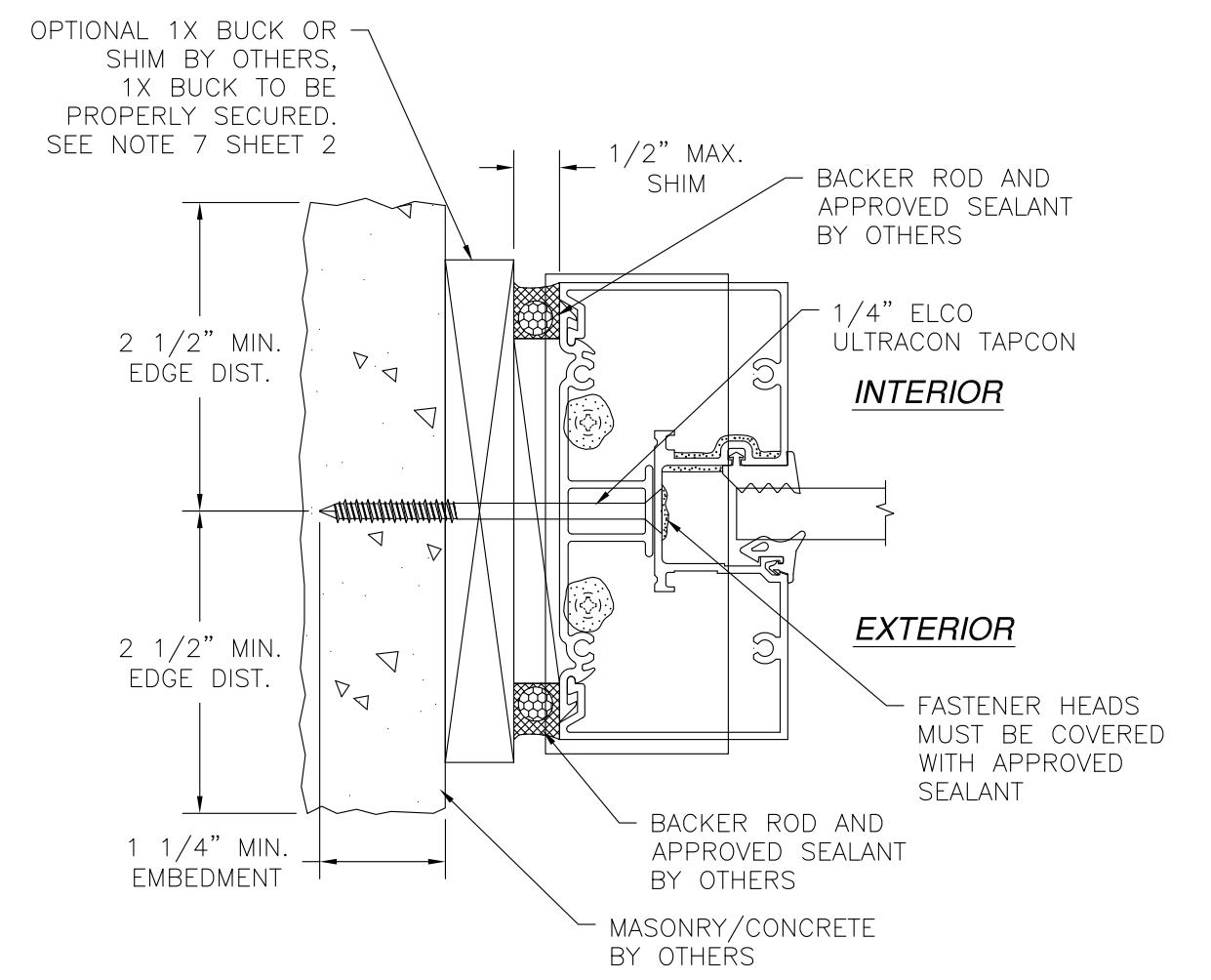
DRAWN: AP	DWG NO. 08-01579	REV B
SCALE NTS	DATE 06/12/12	SHEET 8 OF 15



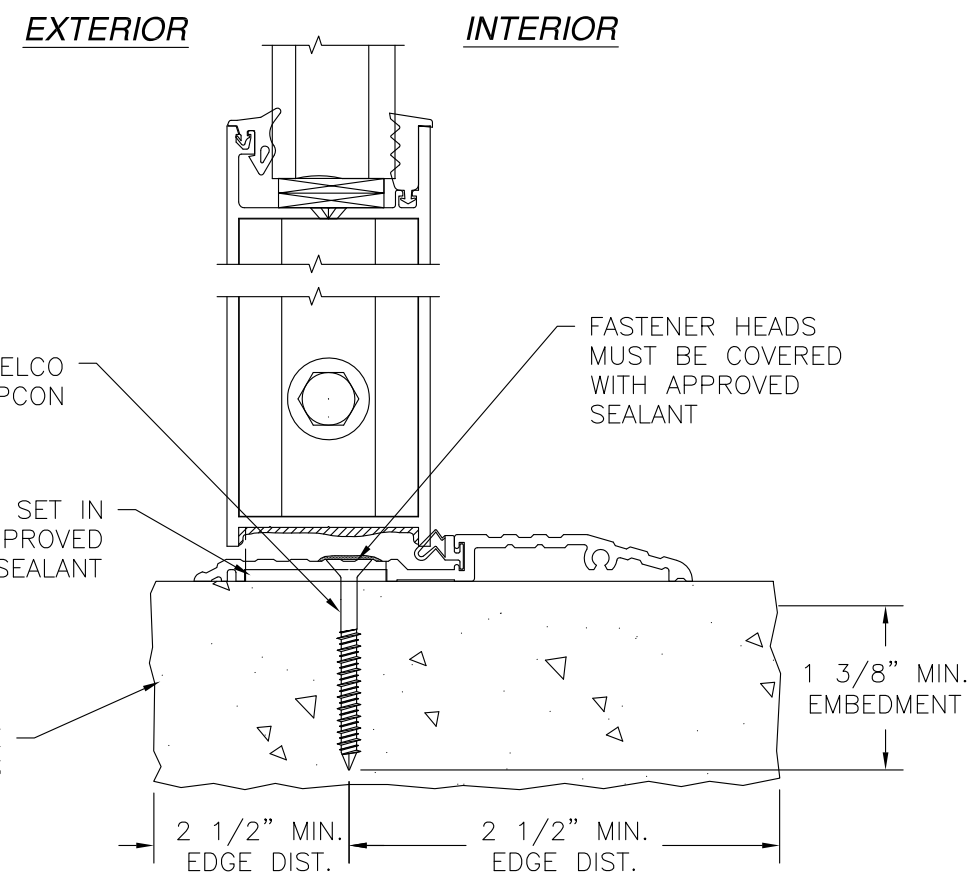
REVISIONS			
REV	DESCRIPTION	DATE	APPROVED
A	ADDED GLAZING DETAILS	07/09/12	R.L.
B	REVISED INSTALLATION DETAILS	04/24/15	R.L.



(A) TRANSOM HEADER
CONCRETE INSTALLATION
DOOR HEADER SIMILAR



(D) TRANSOM JAMB
MASONRY/CONCRETE
LOCK JAMB AND HINGE JAMB SIMILAR



(B) AIR SILL
CONCRETE INSTALLATION

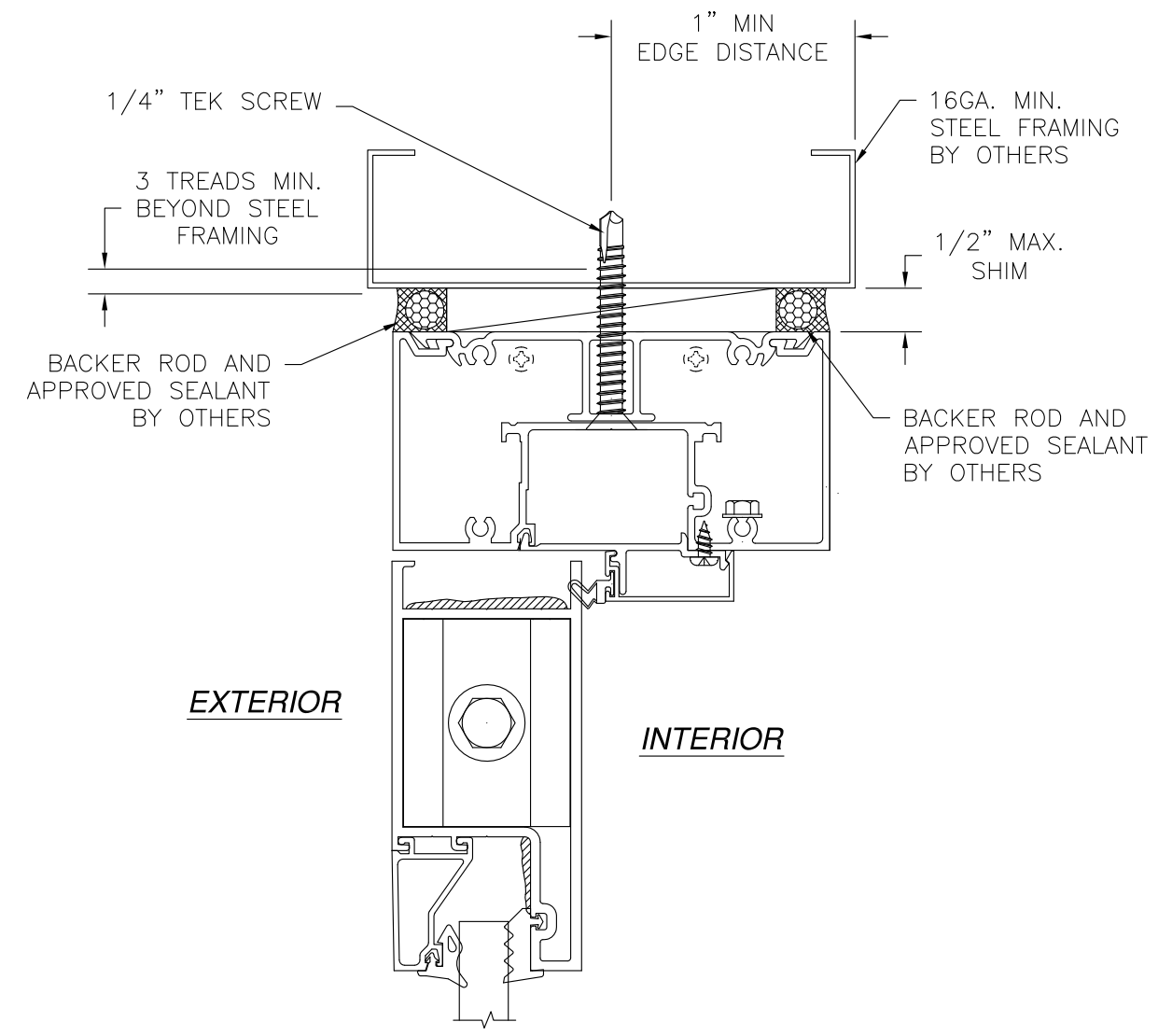
NOTES:
1. INTERIOR AND EXTERIOR FINISHES, BY OTHERS, NOT SHOWN FOR CLARITY.
2. PERIMETER AND JOINT SEALANT BY OTHERS TO BE DESIGNED IN ACCORDANCE WITH ASTM E2112

SIGNED: 05/08/2015

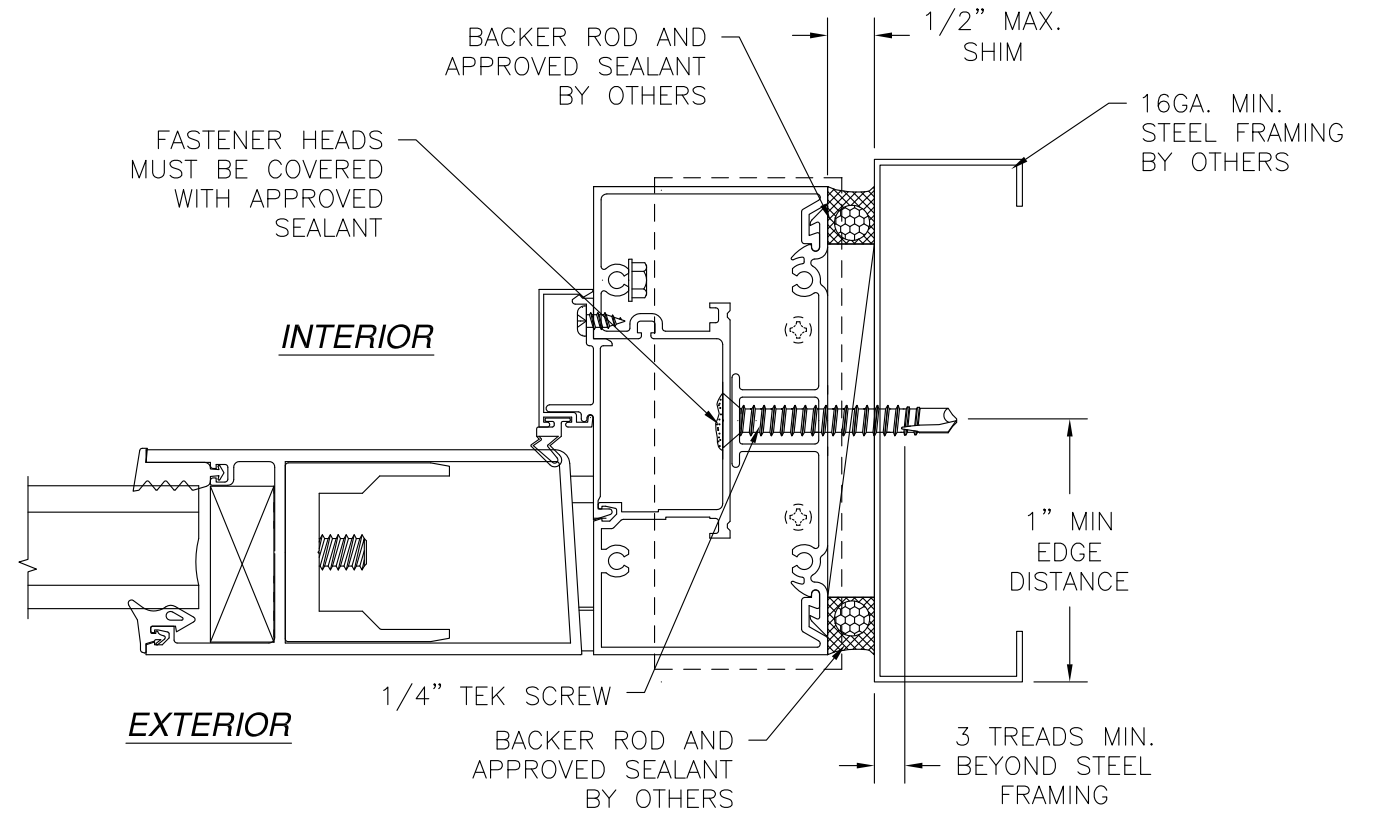
US ALUMINUM DIVISION OF C.R. LAURENCE CO., INC. 720 CEL-RIVER RD., ROCK HILL, SC 29730		
SERIES IG500/IG600 STORM FRONT OS ALUMINUM STOREFRONT DOOR SYSTEM NON - IMPACT INSTALLATION DETAILS		
DRAWN: AP	DWG NO. 08-01579	REV B
SCALE NTS	DATE 06/12/12	SHEET 9 OF 15



REVISIONS			
REV	DESCRIPTION	DATE	APPROVED
A	ADDED GLAZING DETAILS	07/09/12	R.L.
B	REVISED INSTALLATION DETAILS	04/24/15	R.L.



(E) DOOR HEADER
 STEEL FRAMING INSTALLATION
 TRANSOM HEADER SIMILAR



(G) JAMB
 STEEL FRAMING INSTALLATION
 TRANSOM JAMB AND HINGE JAMB SIMILAR

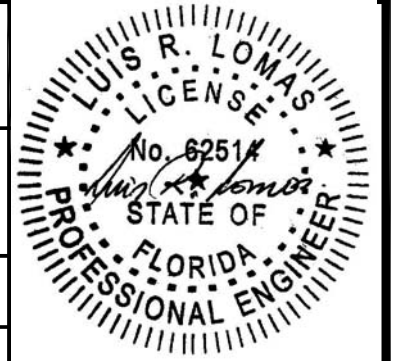
NOTES:
 1. INTERIOR AND EXTERIOR FINISHES, BY OTHERS, NOT SHOWN FOR CLARITY.
 2. PERIMETER AND JOINT SEALANT BY OTHERS TO BE DESIGNED IN ACCORDANCE WITH ASTM E2112

SIGNED: 05/08/2015

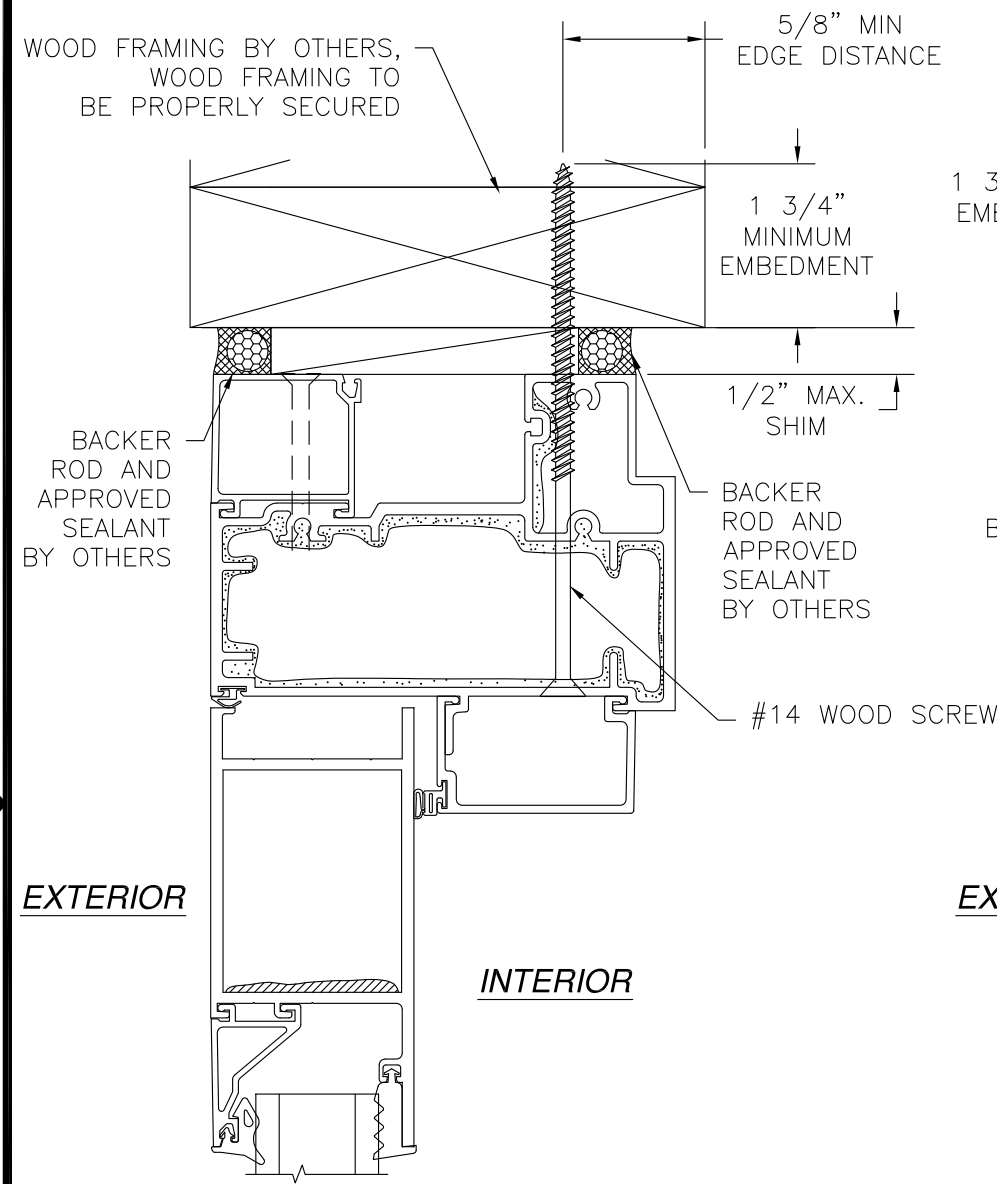
US ALUMINUM
 DIVISION OF C.R. LAURENCE CO., INC.
 720 CEL-RIVER RD., ROCK HILL, SC 29730

SERIES IG500/IG600 STORM FRONT OS ALUMINUM
 STOREFRONT DOOR SYSTEM NON - IMPACT
 INSTALLATION DETAILS

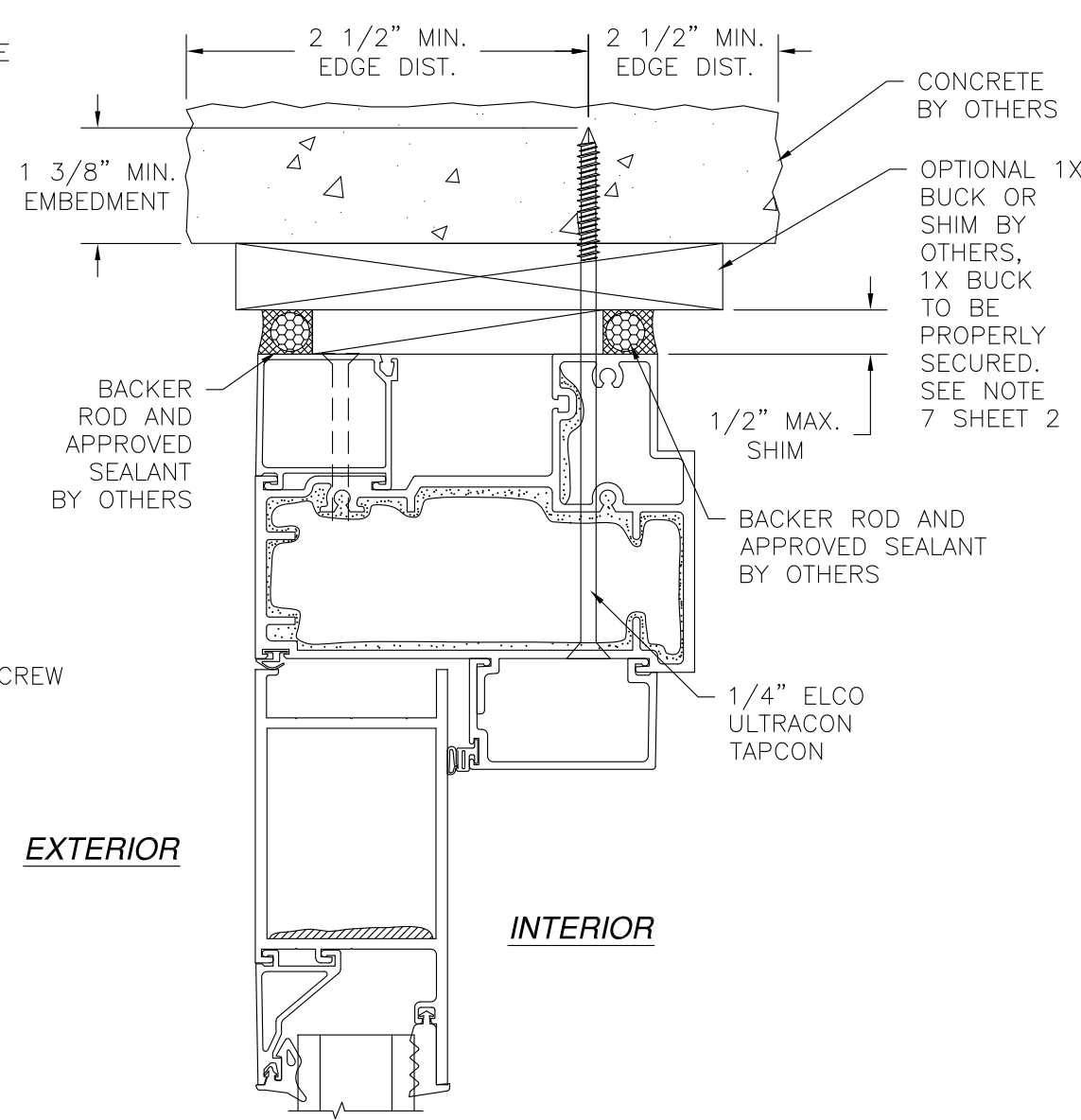
DRAWN: AP	DWG NO. 08-01579	REV B
SCALE NTS	DATE 06/12/12	SHEET 10 OF 15



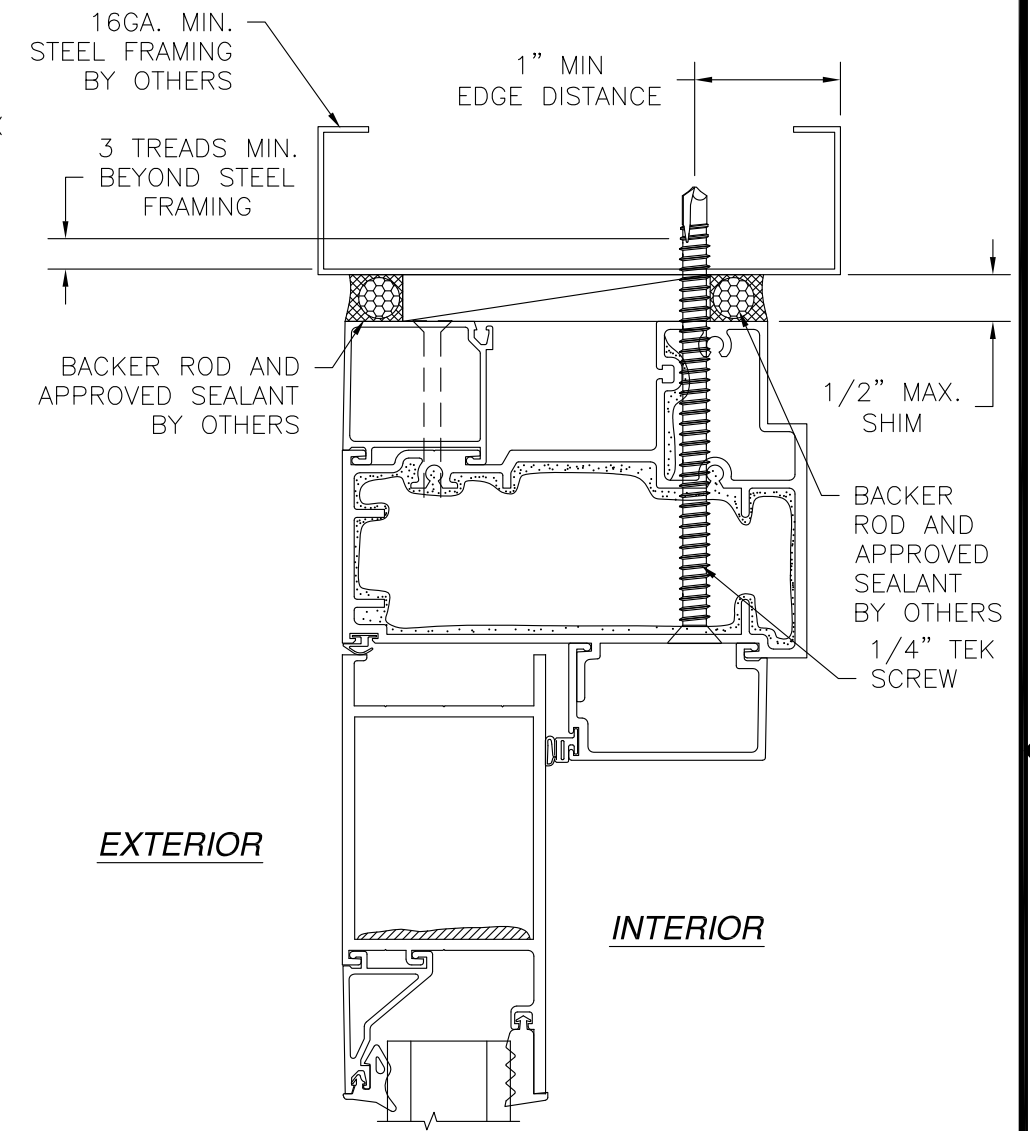
REVISIONS			
REV	DESCRIPTION	DATE	APPROVED
A	ADDED GLAZING DETAILS	07/09/12	R.L.
B	REVISED INSTALLATION DETAILS	04/24/15	R.L.



(E) OPTIONAL DOOR HEADER
2X INSTALLATION



(E) OPTIONAL DOOR HEADER
CONCRETE INSTALLATION



(E) OPTIONAL DOOR HEADER
STEEL FRAMING INSTALLATION

NOTES:
1. INTERIOR AND EXTERIOR FINISHES, BY OTHERS, NOT SHOWN FOR CLARITY.
2. PERIMETER AND JOINT SEALANT BY OTHERS TO BE DESIGNED IN ACCORDANCE WITH ASTM E2112

SIGNED: 05/08/2015

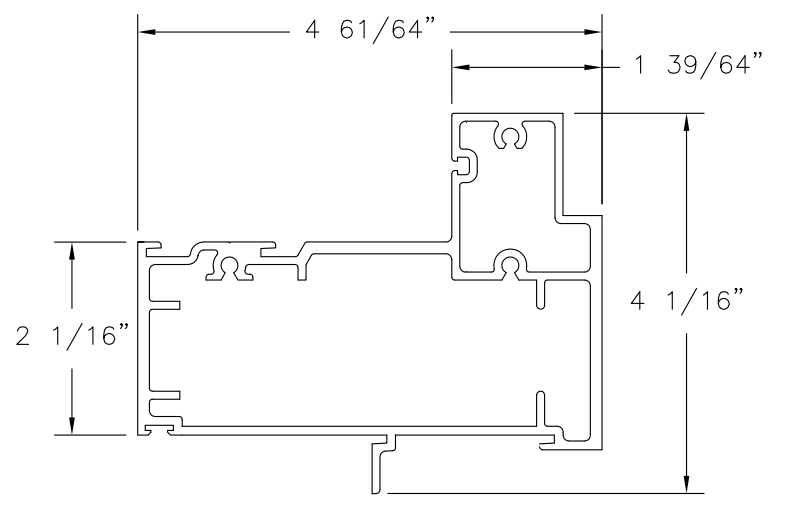
US ALUMINUM
DIVISION OF C.R. LAURENCE CO., INC.
720 CEL-RIVER RD., ROCK HILL, SC 29730

SERIES IG500/IG600 STORM FRONT OS ALUMINUM
STOREFRONT DOOR SYSTEM NON - IMPACT
INSTALLATION DETAILS

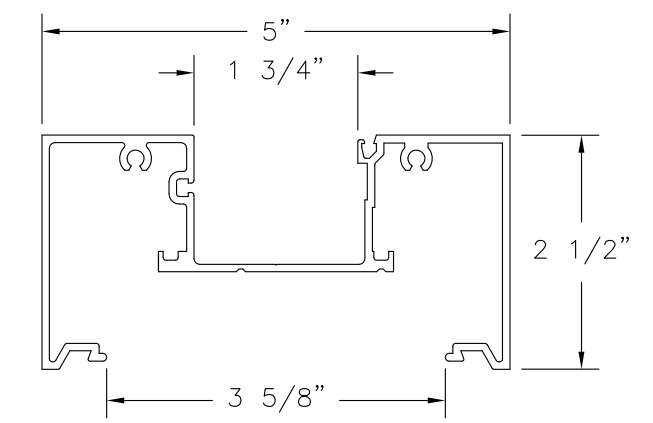
DRAWN: AP	DWG NO. 08-01579	REV B
SCALE NTS	DATE 06/12/12	SHEET 11 OF 15



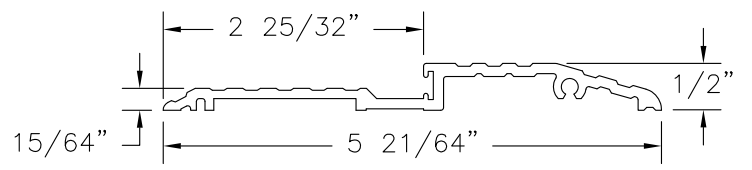
REVISIONS			
REV	DESCRIPTION	DATE	APPROVED
A	ADDED GLAZING DETAILS	07/09/12	R.L.
B	REVISED INSTALLATION DETAILS	04/24/15	R.L.



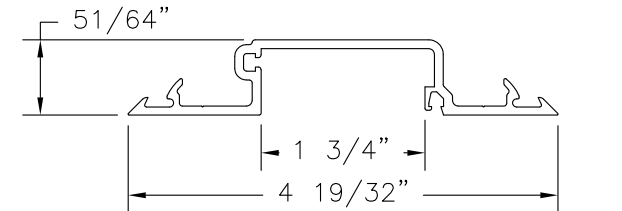
④ **HORIZONTAL MULL - 1 5/16" GLASS**
EXTRUDED ALUMINUM 6063-T5 .125" THICK



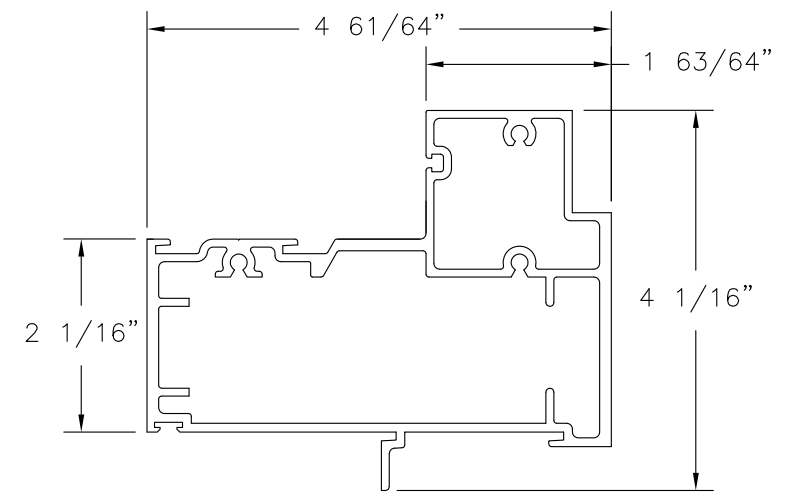
② **MAIN FRAME - 1 5/16" GLASS**
EXTRUDED ALUMINUM 6063-T5 .080" THICK



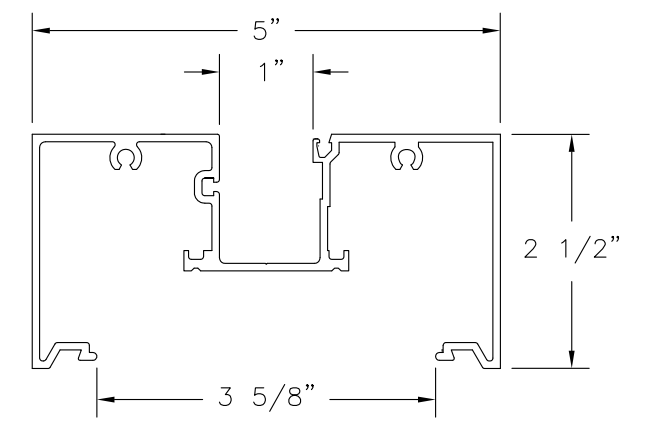
⑦ **AIR SILL**
EXTRUDED ALUMINUM 6063-T5 .109" THICK



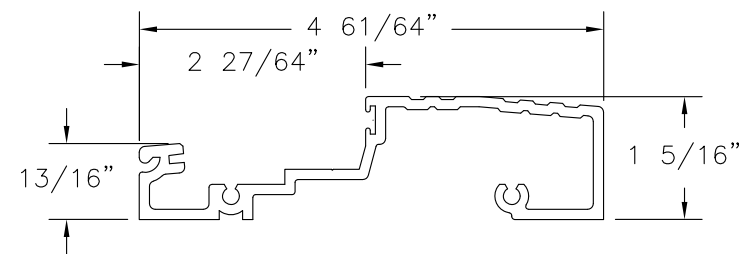
⑨ **FILLER VERTICAL - 1 5/16" GLASS**
EXTRUDED ALUMINUM 6063-T5 .095" THICK



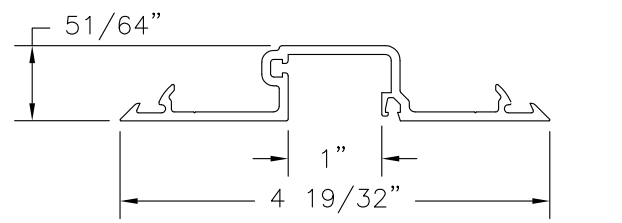
③ **HORIZONTAL MULL - 9/16" GLASS**
EXTRUDED ALUMINUM 6063-T5 .125" THICK



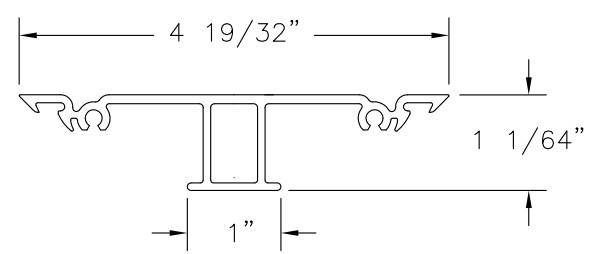
① **MAIN FRAME - 9/16" GLASS**
EXTRUDED ALUMINUM 6063-T5 .080" THICK



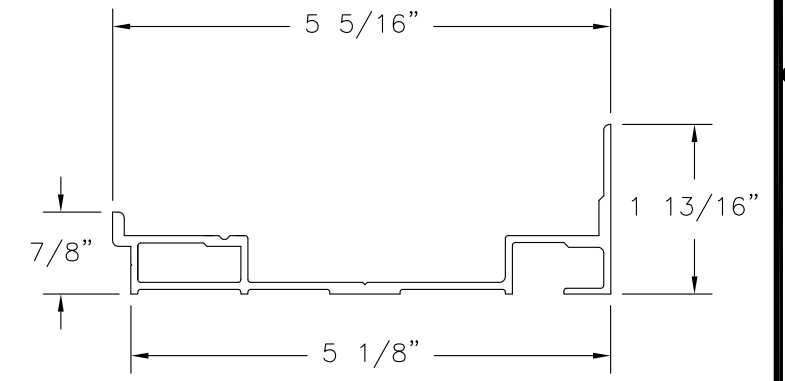
⑥ **WATER THRESHOLD**
EXTRUDED ALUMINUM 6063-T5 .109" THICK



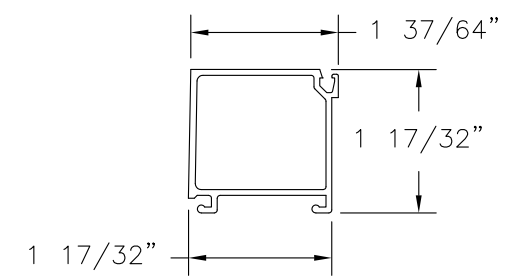
⑧ **FILLER VERTICAL - 9/16" GLASS**
EXTRUDED ALUMINUM 6063-T5 .095" THICK



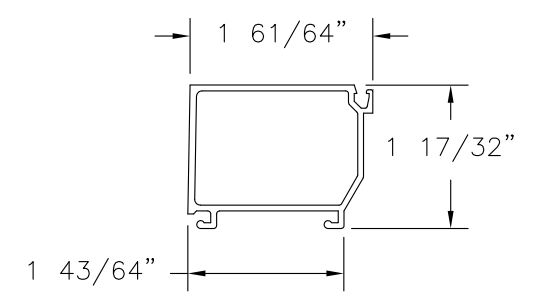
⑫ **FILLER JAMB/HEAD**
EXTRUDED ALUMINUM 6063-T5 .080" THICK



⑤ **SUB SILL**
EXTRUDED ALUMINUM 6063-T5 .075" THICK



⑪ **STOP - 1 5/16" GLASS**
EXTRUDED ALUMINUM 6063-T5 .062" THICK



⑩ **STOP - 9/16" GLASS**
EXTRUDED ALUMINUM 6063-T5 .062" THICK

US ALUMINUM
DIVISION OF C.R. LAURENCE CO., INC.
720 CEL-RIVER RD., ROCK HILL, SC 29730

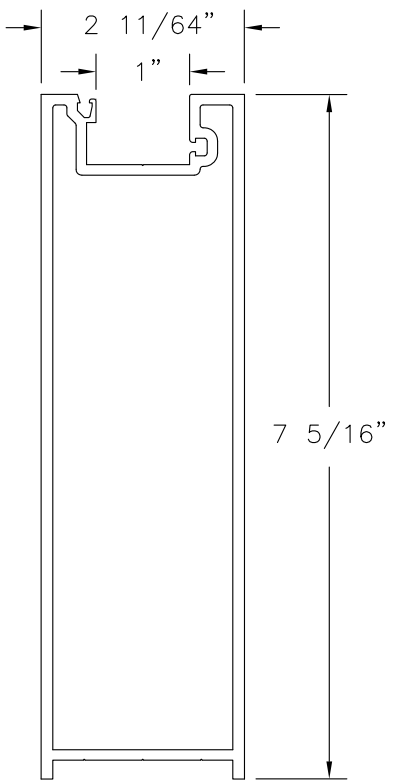
SERIES IG500/IG600 STORM FRONT OS ALUMINUM
STOREFRONT DOOR SYSTEM NON - IMPACT
COMPONENTES

DRAWN: AP	DWG NO. 08-01579	REV B
SCALE NTS	DATE 06/12/12	SHEET 12 OF 15

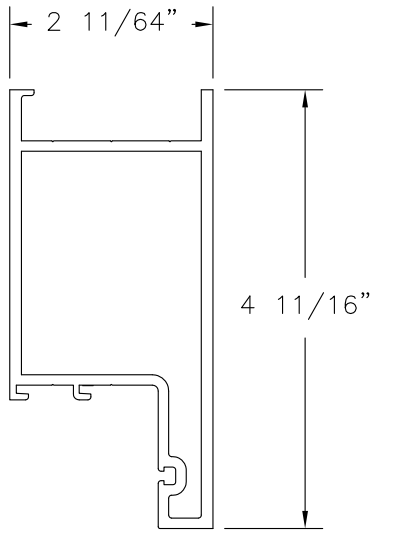
SIGNED: 05/08/2015



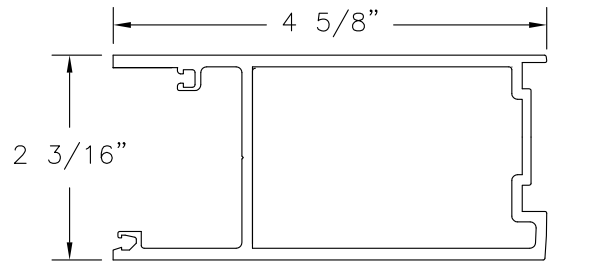
REVISIONS			
REV	DESCRIPTION	DATE	APPROVED
A	ADDED GLAZING DETAILS	07/09/12	R.L.
B	REVISED INSTALLATION DETAILS	04/24/15	R.L.



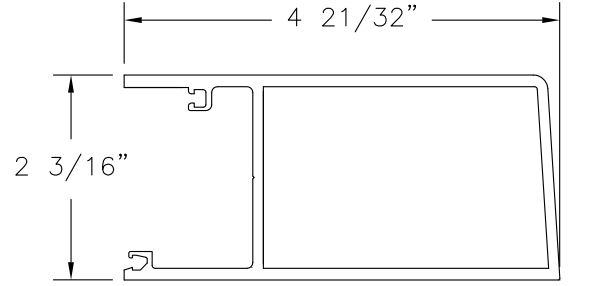
18 **BOTTOM RAIL - 9/16" GLASS**
EXTRUDED ALUMINUM 6063-T5 .125" THICK



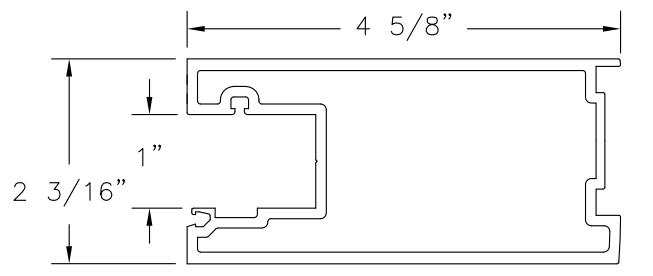
14 **TOP RAIL - 9/16" GLASS**
EXTRUDED ALUMINUM 6063-T5 .125" THICK



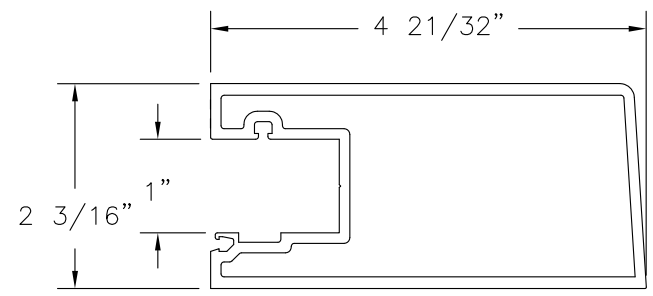
44 **LOCK STILE - 1 5/16" GLASS**
EXTRUDED ALUMINUM 6063-T5 .125" THICK



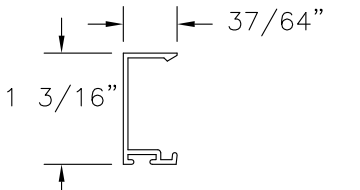
36 **PLAIN STILE - 1 5/16" GLASS**
EXTRUDED ALUMINUM 6063-T5 .125" THICK



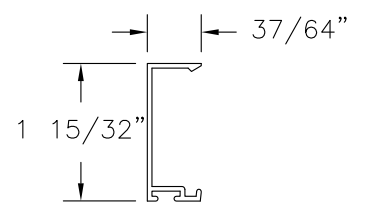
43 **LOCK STILE - 9/16" GLASS**
EXTRUDED ALUMINUM 6063-T5 .125" THICK



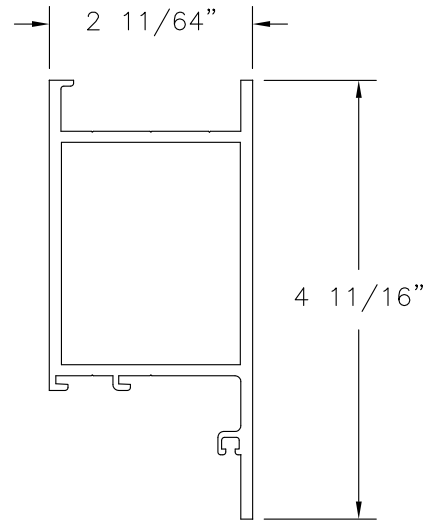
35 **PLAIN STILE - 9/16" GLASS**
EXTRUDED ALUMINUM 6063-T5 .125" THICK



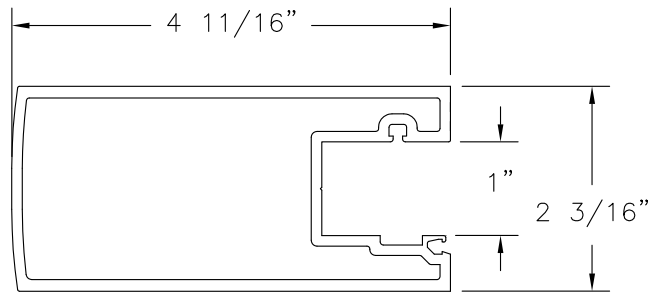
37 **DOOR STOP - 9/16" GLASS**
EXTRUDED ALUMINUM 6063-T5 .050" THICK



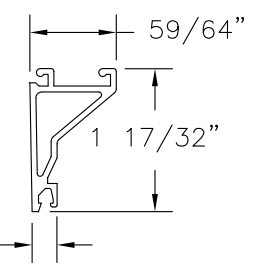
38 **DOOR STOP - 1 5/16" GLASS**
EXTRUDED ALUMINUM 6063-T5 .050" THICK



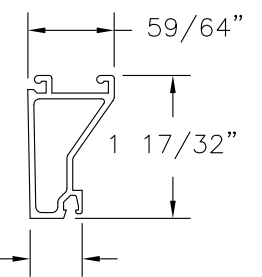
15 **TOP RAIL - 1 5/16" GLASS**
EXTRUDED ALUMINUM 6063-T5 .125" THICK



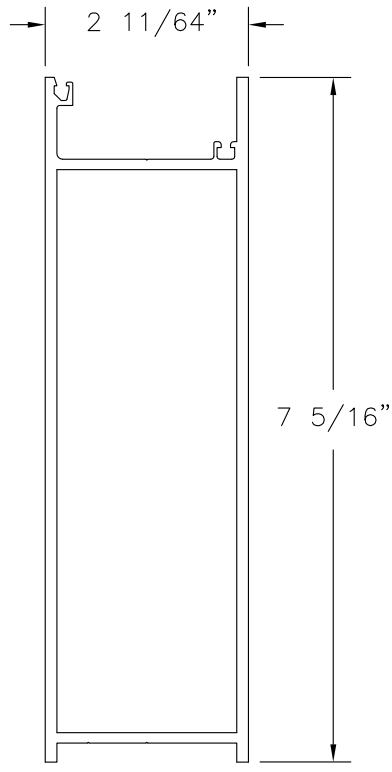
41 **LOCK STILE - 9/16" GLASS**
EXTRUDED ALUMINUM 6063-T5 .125" THICK



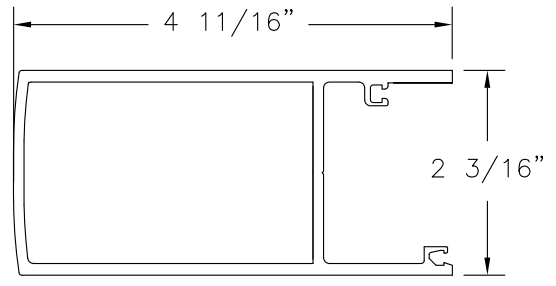
17 **DOOR GLASS STOP - 1 5/16" GLASS**
EXTRUDED ALUMINUM 6063-T5 .062" THICK



16 **DOOR GLASS STOP - 9/16" GLASS**
EXTRUDED ALUMINUM 6063-T5 .062" THICK



19 **BOTTOM RAIL - 1 5/16" GLASS**
EXTRUDED ALUMINUM 6063-T5 .125" THICK



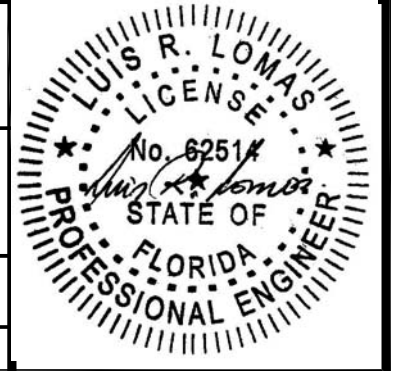
42 **LOCK STILE - 1 5/16" GLASS**
EXTRUDED ALUMINUM 6063-T5 .125" THICK

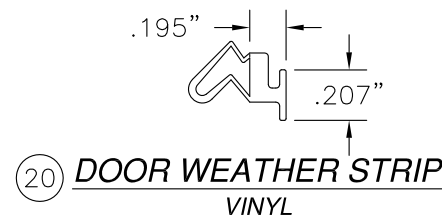
SIGNED: 05/08/2015

US ALUMINUM
DIVISION OF C.R. LAURENCE CO., INC.
720 CEL-RIVER RD., ROCK HILL, SC 29730

SERIES IG500/IG600 STORM FRONT OS ALUMINUM
STOREFRONT DOOR SYSTEM NON - IMPACT
COMPONENTES

DRAWN: AP	DWG NO. 08-01579	REV B
SCALE NTS	DATE 06/12/12	SHEET 13 OF 15

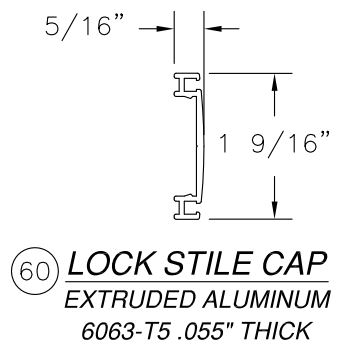




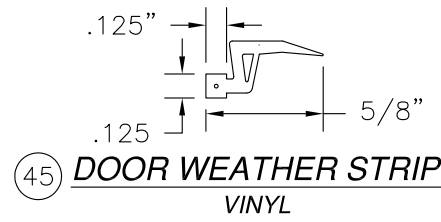
20 DOOR WEATHER STRIP
VINYL



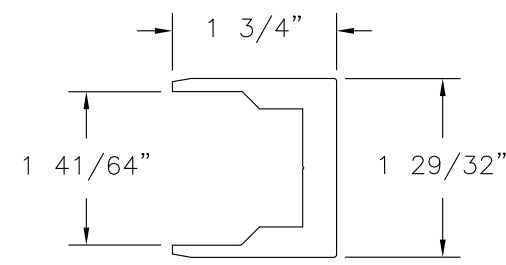
33 SILL INSERT
EXTRUDED ALUMINUM
6063-T5 .090" THICK



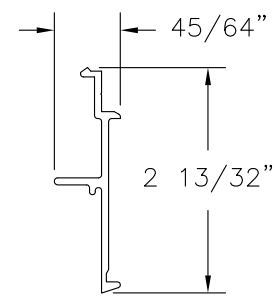
60 LOCK STILE CAP
EXTRUDED ALUMINUM
6063-T5 .055" THICK



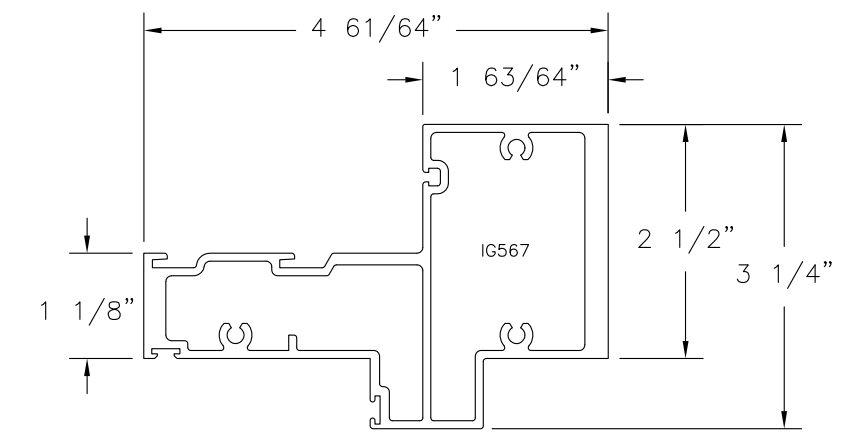
45 DOOR WEATHER STRIP
VINYL



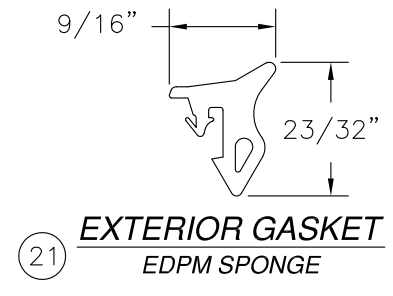
46 SHEAR CHANNEL
EXTRUDED ALUMINUM
6063-T5 .363" THICK



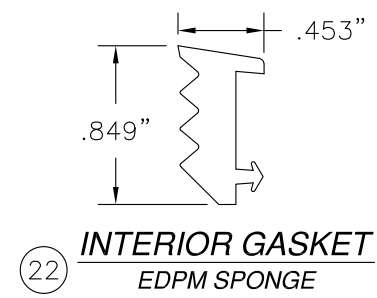
40 STOP RETAINER - 1 5/16" GLASS
EXTRUDED ALUMINUM 6063-T5 .075" THICK



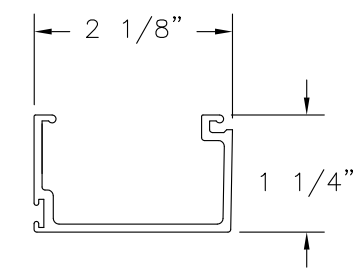
62 HORIZONTAL MULL - 9/16" GLASS
EXTRUDED ALUMINUM 6063-T5 .085" THICK



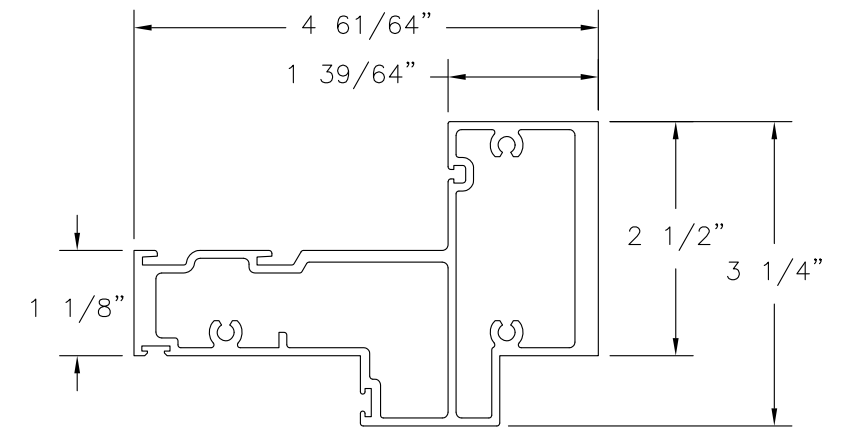
21 EXTERIOR GASKET
EDPM SPONGE



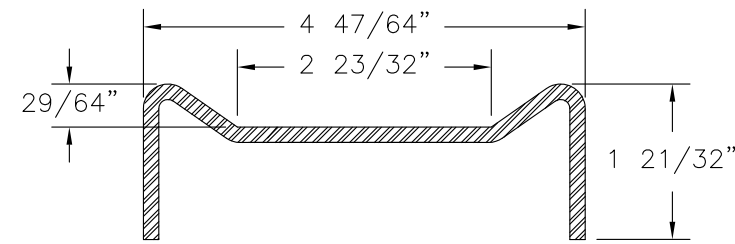
22 INTERIOR GASKET
EDPM SPONGE



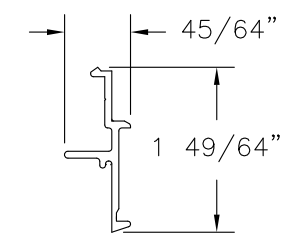
61 DOOR STOP
EXTRUDED ALUMINUM 6063-T5 .085" THICK



63 HORIZONTAL MULL - 1 5/16" GLASS
EXTRUDED ALUMINUM 6063-T5 .085" THICK



28 STEEL STIFFENER HEAVY
FORMED 8GA. A36 MILD STEEL



39 STOP RETAINER - 9/16" GLASS
EXTRUDED ALUMINUM 6063-T5 .075" THICK

REVISIONS			
REV	DESCRIPTION	DATE	APPROVED
A	ADDED GLAZING DETAILS	07/09/12	R.L.
B	REVISED INSTALLATION DETAILS	04/24/15	R.L.

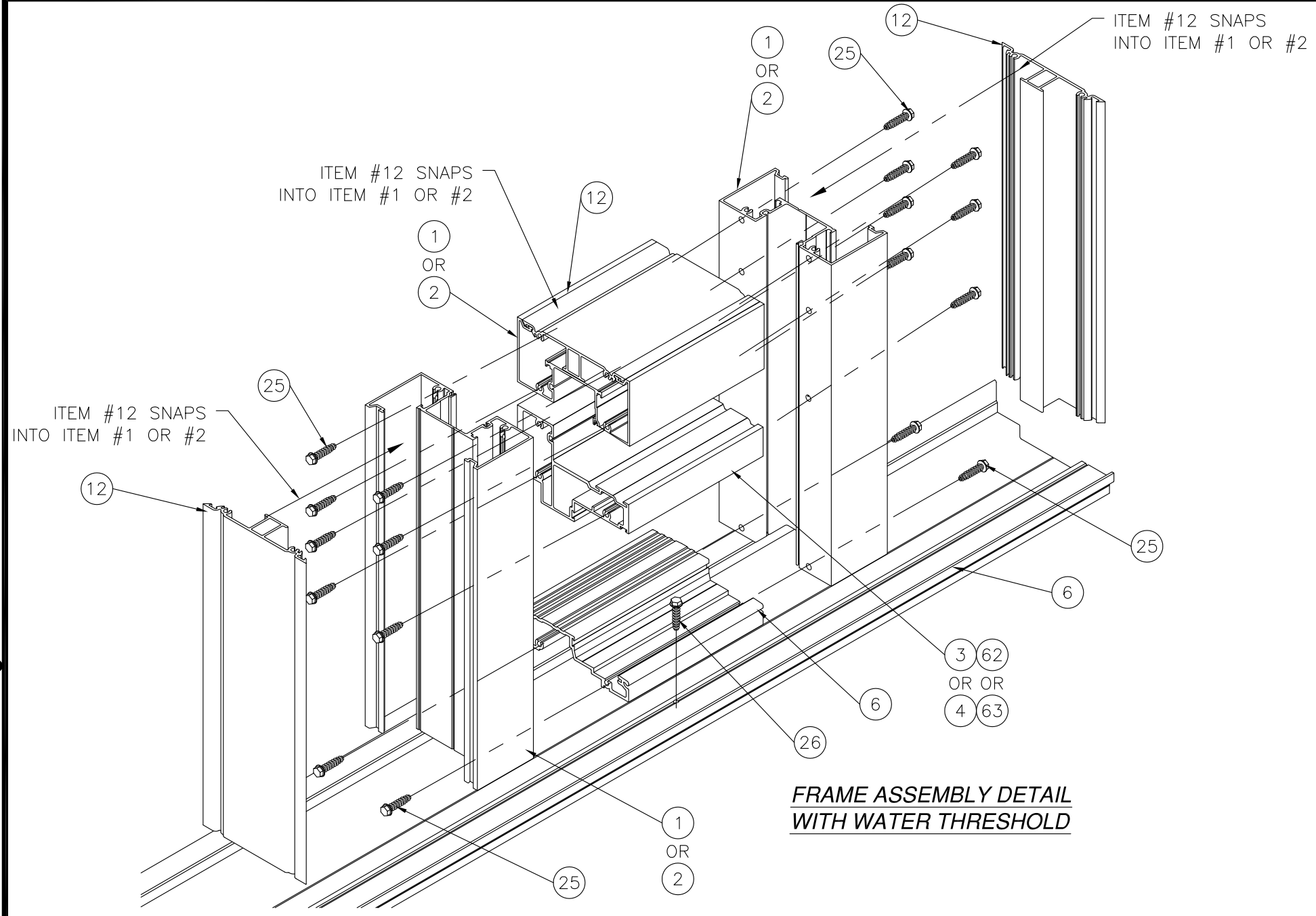
US ALUMINUM
DIVISION OF C.R. LAURENCE CO., INC.
720 CEL-RIVER RD., ROCK HILL, SC 29730

SERIES IG500/IG600 STORM FRONT OS ALUMINUM
STOREFRONT DOOR SYSTEM NON - IMPACT
COMPONENTES

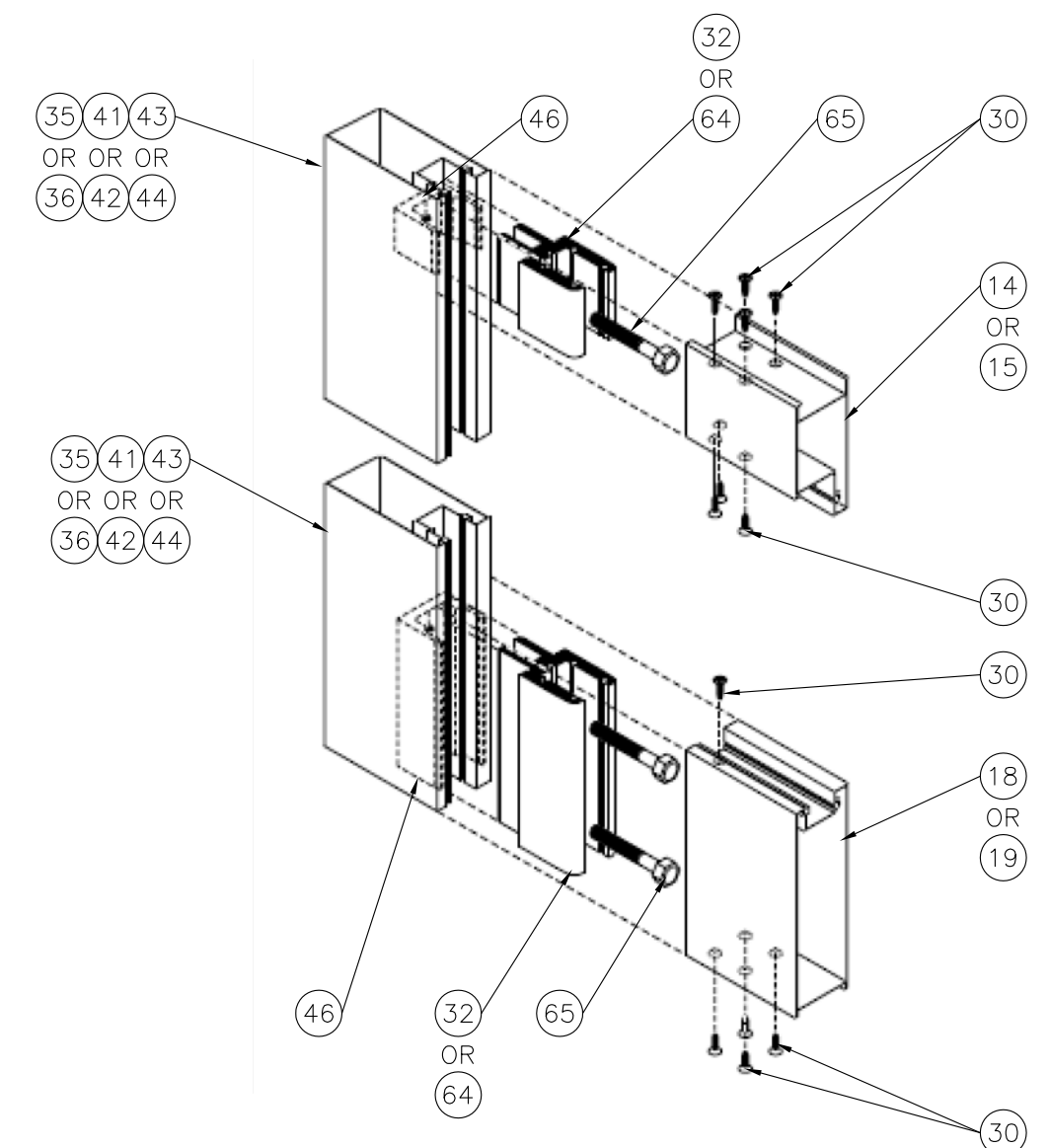
DRAWN: AP	DWG NO. 08-01579	REV B
SCALE NTS	DATE 06/12/12	SHEET 14 OF 15

SIGNED: 05/08/2015

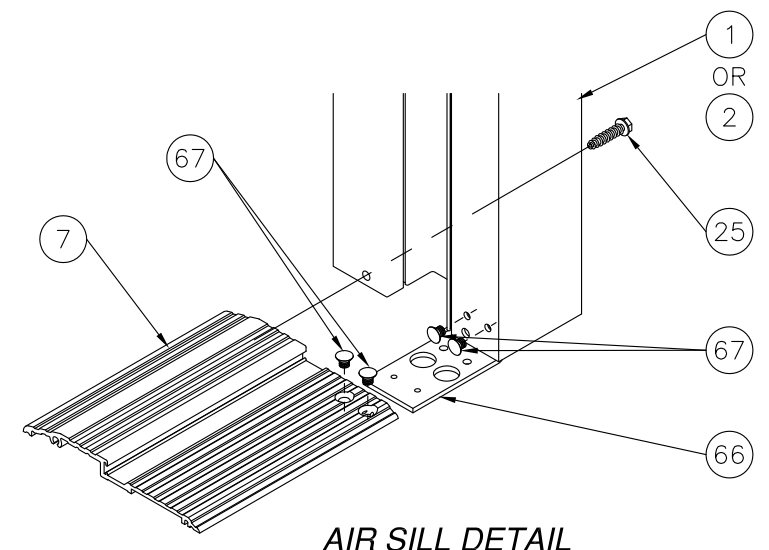
REVISIONS			
REV	DESCRIPTION	DATE	APPROVED
A	ADDED GLAZING DETAILS	07/09/12	R.L.
B	REVISED INSTALLATION DETAILS	04/24/15	R.L.



**FRAME ASSEMBLY DETAIL
WITH WATER THRESHOLD**



PANEL ASSEMBLY DETAIL



AIR SILL DETAIL

SIGNED: 05/08/2015

US ALUMINUM DIVISION OF C.R. LAURENCE CO., INC. 720 CEL-RIVER RD., ROCK HILL, SC 29730		
SERIES IG500/IG600 STORM FRONT OS ALUMINUM STOREFRONT DOOR SYSTEM NON - IMPACT PANEL AND FRAME ASSEMBLY DETAILS		
DRAWN: AP	DWG NO. 08-01579	REV B
SCALE NTS	DATE 06/12/12	SHEET 15 OF 15

