

REVISIONS			
REV	DESCRIPTION	DATE	APPROVED
A	REVISED INSTALLATION DETAILS	04/27/15	R.L.
B	REVISED GLAZING DETAILS	10/04/17	R.L.

NOTES:

- 1) THE PRODUCT SHOWN HEREIN IS DESIGNED AND MANUFACTURED TO COMPLY WITH REQUIREMENTS OF THE FLORIDA BUILDING CODE, INCLUDING THE HVHZ.
- 2) WOOD FRAMING, STEEL FRAMING AND MASONRY OPENING TO BE DESIGNED AND ANCHORED TO PROPERLY TRANSFER ALL LOADS TO STRUCTURE. FRAMING AND MASONRY OPENING IS THE RESPONSIBILITY OF THE ARCHITECT OR ENGINEER OF RECORD.
- 3) ALLOWABLE STRESS INCREASE OF 1/3 WAS NOT USED IN THE DESIGN OF THE PRODUCT SHOWN HEREIN. WIND LOAD DURATION FACTOR  $C_d=1.6$  WAS USED FOR WOOD ANCHOR CALCULATIONS.
- 4) FRAME MATERIAL: EXTRUDED ALUMINUM 6063-T5.
- 5) UNITS MUST BE GLAZED PER ASTM E1300-04 SEE SHEET 5 FOR GLAZING DETAILS.
- 6) APPROVED IMPACT PROTECTIVE SYSTEM IS NOT REQUIRED FOR THIS PRODUCT IN WIND BORNE DEBRIS REGIONS.
- 7) DOORS MAY BE LEFT HAND OUTSWING OR RIGHT HAND OUTSWING.
- 8) MAXIMUM TRANSOM D.L.O.:  
SERIES IG500: 18 1/16"  
SERIES IG600: 19"
- 9) MAXIMUM DOOR FRAME HEIGHT.:  
SERIES IG500: 99 7/16"  
SERIES IG600: 98 1/2"
- 10) HINGE LOCATIONS FROM BOTTOM OF PANEL UP TO BOTTOM OF HINGE:  
FIRST HINGE = 6"  
SECOND HINGE = 45 1/2"  
THIRD HINGE = 84 15/16"
- 11) THIS SYSTEM IS FIELD GLAZED AND ASSEMBLED. CONTRACTOR/GLAZIER IS RESPONSIBLE FOR COMPLYING WITH GLAZING AND ASSEMBLY REQUIREMENTS.

ANCHORING NOTES:

- 1) SHIM AS REQUIRED AT EACH INSTALLATION ANCHOR WITH LOAD BEARING SHIM. SHIM WHERE SPACE OF 1/16" OR GREATER OCCURS. MAXIMUM ALLOWABLE SHIM STACK TO BE 1/2".
- 2) FOR ANCHORING HEAD AND AIR SILL TO CONCRETE USE 1/4" ELCO ULTRACON TAPCONS WITH SUFFICIENT LENGTH TO ACHIEVE A 1 3/8" MINIMUM EMBEDMENT INTO SUBSTRATE WITH 2 1/2" MINIMUM EDGE DISTANCE.
- 3) FOR ANCHORING WATER THRESHOLD INTO CONCRETE USE 3/8" POWER-BOLT ANCHORS WITH SUFFICIENT LENGTH TO ACHIEVE A 2" MINIMUM EMBEDMENT INTO SUBSTRATE WITH 4 1/2" MINIMUM EDGE DISTANCE.
- 4) FOR ANCHORING JAMBS INTO MASONRY/CONCRETE USE 1/4" ELCO ULTRACON TAPCONS WITH SUFFICIENT LENGTH TO ACHIEVE A 1 1/4" MINIMUM EMBEDMENT INTO SUBSTRATE WITH 2 1/2" MINIMUM EDGE DISTANCE.
- 5) FOR ANCHORING HEAD AND JAMBS INTO WOOD FRAME USE #14 WOOD SCREW WITH SUFFICIENT LENGTH TO ACHIEVE A 1 3/4" MINIMUM EMBEDMENT INTO SUBSTRATE.
- 6) FOR ANCHORING HEAD AND JAMBS INTO STEEL FRAME USE #14 TEK SCREW WITH SUFFICIENT LENGTH TO ACHIEVE 3-THREADS MINIMUM EMBEDMENT BEYOND STEEL FRAMING.
- 7) FOR ANCHORING SILL INTO STEEL FRAME USE 3/8" SELF TAPPING SCREW WITH SUFFICIENT LENGTH TO ACHIEVE 3-THREADS MINIMUM EMBEDMENT BEYOND STEEL FRAMING.
- 8) ALL FASTENERS TO BE CORROSION RESISTANT.
- 9) INSTALLATION ANCHORS SHALL BE INSTALLED IN ACCORDANCE WITH ANCHOR MANUFACTURER'S INSTALLATION INSTRUCTIONS, AND ANCHORS SHALL NOT BE USED IN SUBSTRATES WITH STRENGTHS LESS THAN THE MINIMUM STRENGTH SPECIFIED BELOW:  
A. WOOD - MINIMUM SPECIFIC GRAVITY OF  $G=0.42$   
B. CONCRETE - MINIMUM COMPRESSIVE STRENGTH OF 2,000 PSI.  
C. MASONRY - STRENGTH CONFORMANCE TO ASTM C-90, GRADE N, TYPE 1 (OR GREATER).  
D. STEEL FRAMING - 16GA. (.063") MINIMUM STEEL STUD.
- 10) ALL DISSIMILAR MATERIALS MUST BE SEPARATED PER STANDARD INSTALLATION PRACTICES.

TABLE OF CONTENTS	
SHEET NO.	DESCRIPTION
1	NOTES
2	ELEVATIONS
3	ADDITIONAL APPROVED CONFIGURATIONS
4	ANCHORING LAYOUT AND NOTES
5	BILL OF MATERIALS AND GLAZING DETAILS
6 - 7	CROSS SECTIONS
8 - 11	INSTALLATION DETAILS
12 - 14	COMPONENTS
15	PANEL AND FRAME ASSEMBLY DETAILS

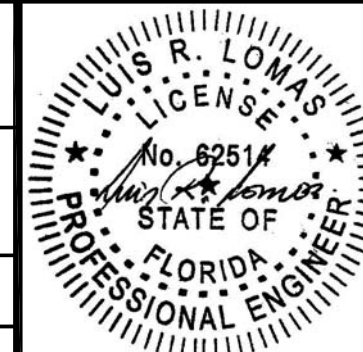
**US ALUMINUM**  
DIVISION OF C.R. LAURENCE CO., INC.  
780 CELRIVER RD, ROCK HILL, SC 29730

SERIES IG500/IG600 STORM FRONT OS ALUMINUM  
STOREFRONT DOOR SYSTEM - LMI  
NOTES

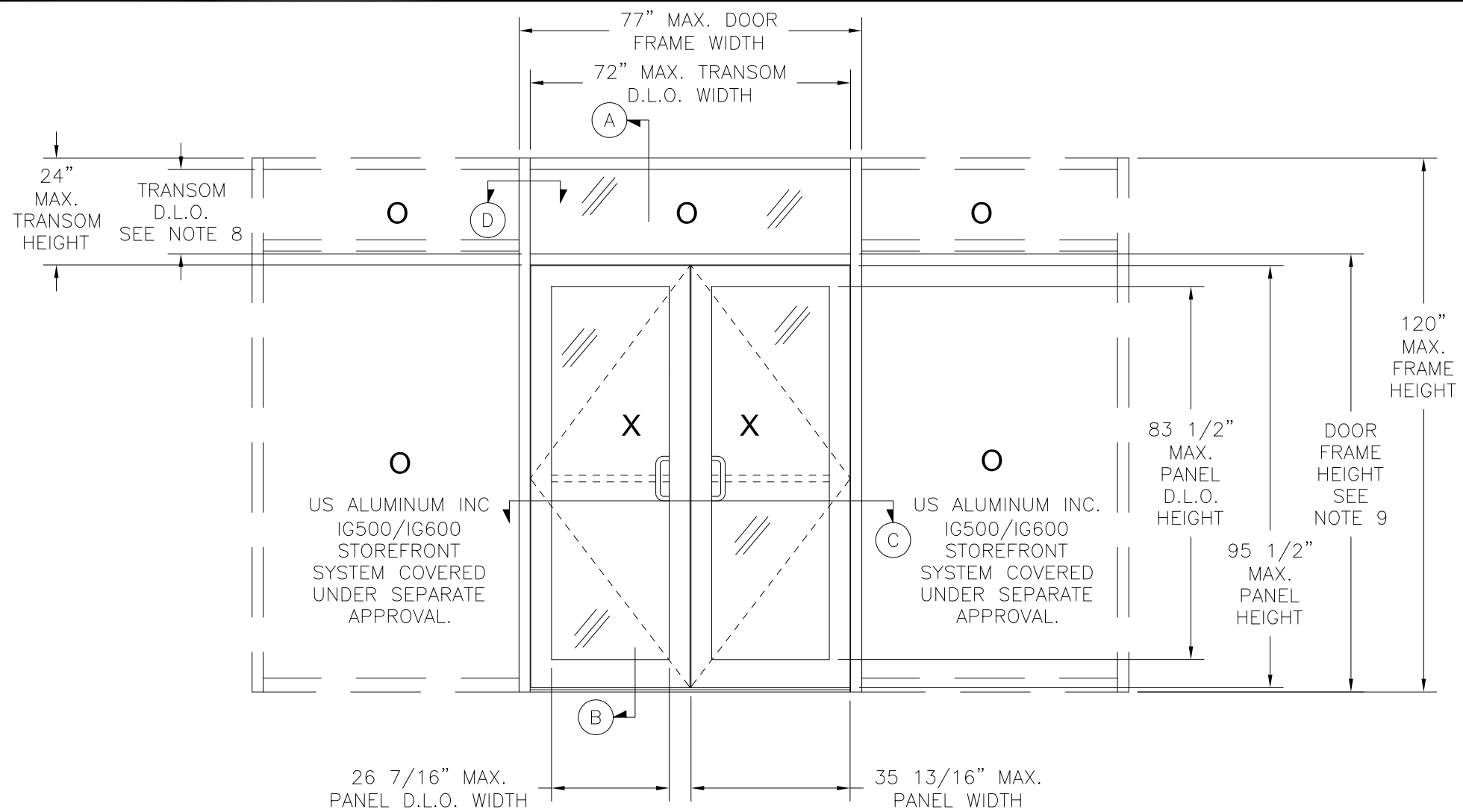
DRAWN: AP	DWG NO. 08-01575	REV B
SCALE NTS	DATE 06/12/12	SHEET 1 OF 15

L. ROBERTO LOMAS P.E.  
1432 WOODFORD RD LEWISVILLE, NC 27023  
434-688-0609 rllomas@rlomaspe.com

SIGNED: 10/23/2017



Luis R. Lomas P.E.  
FL No.: 62514



REVISIONS			
REV	DESCRIPTION	DATE	APPROVED
A	REVISED INSTALLATION DETAILS	04/27/15	R.L.
B	REVISED GLAZING DETAILS	10/04/17	R.L.

**SERIES IG500/IG600 STORM FRONT OS ALUMINUM STOREFRONT  
DOUBLE DOOR WITH TRANSOM  
EXTERIOR VIEW**

UNITS INSTALLED WITH WATER THRESHOLD, ITEMS #5 AND #6

DESIGN PRESSURE RATING	IMPACT RATING
±65PSF	LARGE MISSILE IMPACT

UNITS INSTALLED WITH AIR SILL, ITEM #7

DESIGN PRESSURE RATING	IMPACT RATING
±65PSF	LARGE MISSILE IMPACT
THIS SYSTEM WAS NOT TESTED FOR WATER INFILTRATION AND IS TO BE INSTALLED ONLY WHERE THE WATER REQUIREMENT IS NOT NEEDED	

Panel Height (in)	Single Panel Width (in)					
	24.00		30.00		35.75	
	Pos	Neg	Pos	Neg	Pos	Neg
80.00	65.0	65.0	65.0	65.0	65.0	65.0
84.00	65.0	65.0	65.0	65.0	65.0	65.0
90.00	65.0	65.0	65.0	65.0	65.0	65.0
95.50	65.0	65.0	65.0	65.0	65.0	65.0

REFER TO RATING BOXES FOR WATER LIMITATIONS.

**US ALUMINUM**  
DIVISION OF C.R. LAURENCE CO., INC.  
780 CELRIVER RD, ROCK HILL, SC 29730

SERIES IG500/IG600 STORM FRONT OS ALUMINUM STOREFRONT DOOR SYSTEM – LMI ELEVATION

DRAWN: AP	DWG NO. 08-01575	REV B
SCALE NTS	DATE 06/12/12	SHEET 2 OF 15

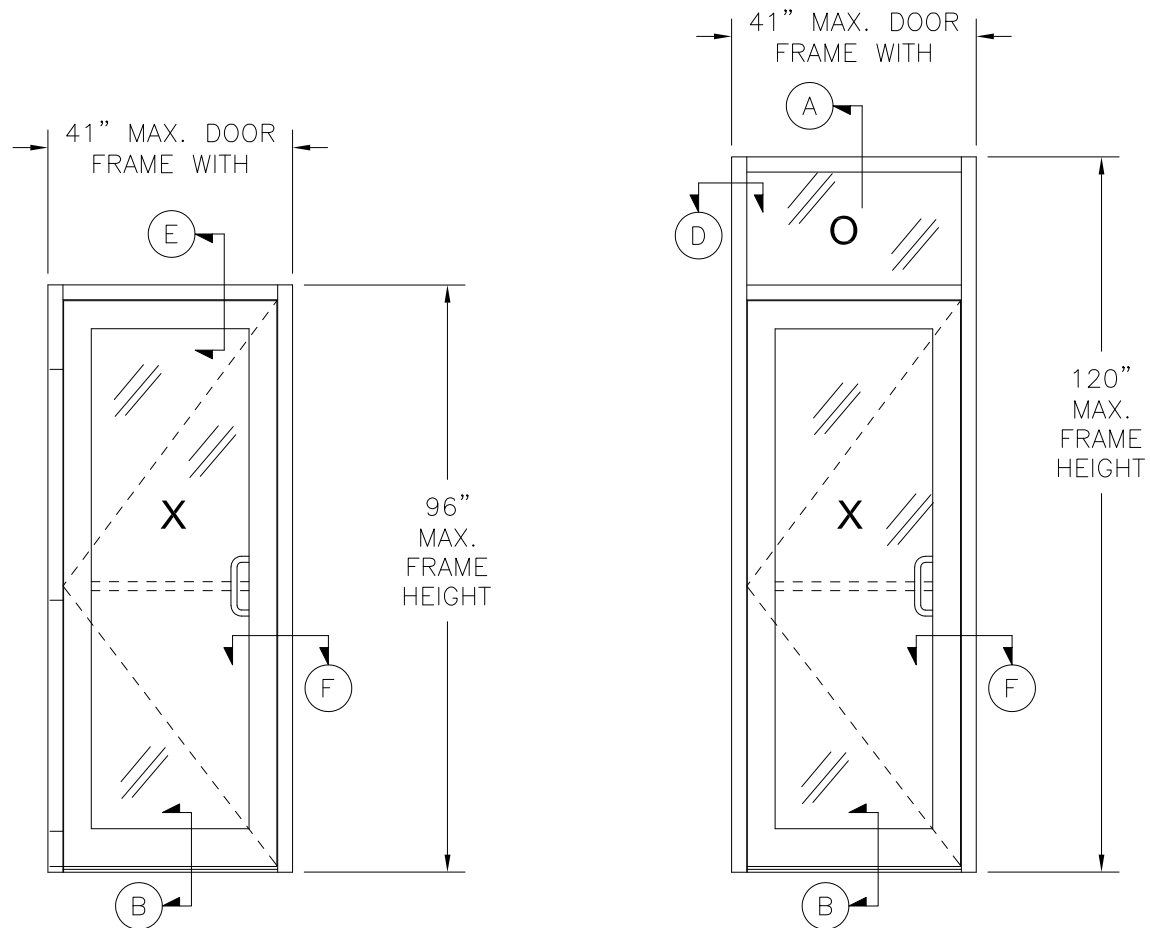
L. ROBERTO LOMAS P.E.  
1432 WOODFORD RD LEWISVILLE, NC 27023  
434-688-0609 rllomas@lrlomaspe.com

SIGNED: 10/23/2017



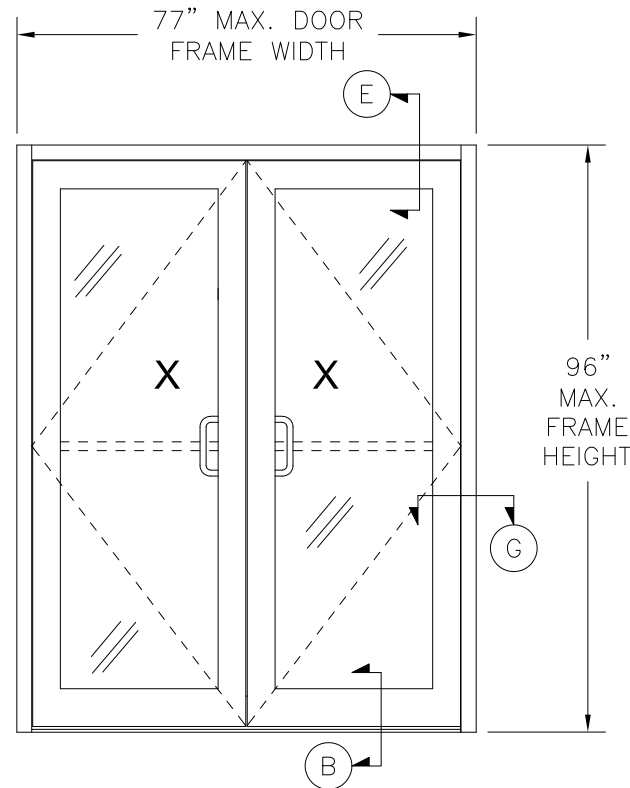
Luis R. Lomas P.E.  
FL No.: 62514

REVISIONS			
REV	DESCRIPTION	DATE	APPROVED
A	REVISED INSTALLATION DETAILS	04/27/15	R.L.
B	REVISED GLAZING DETAILS	10/04/17	R.L.

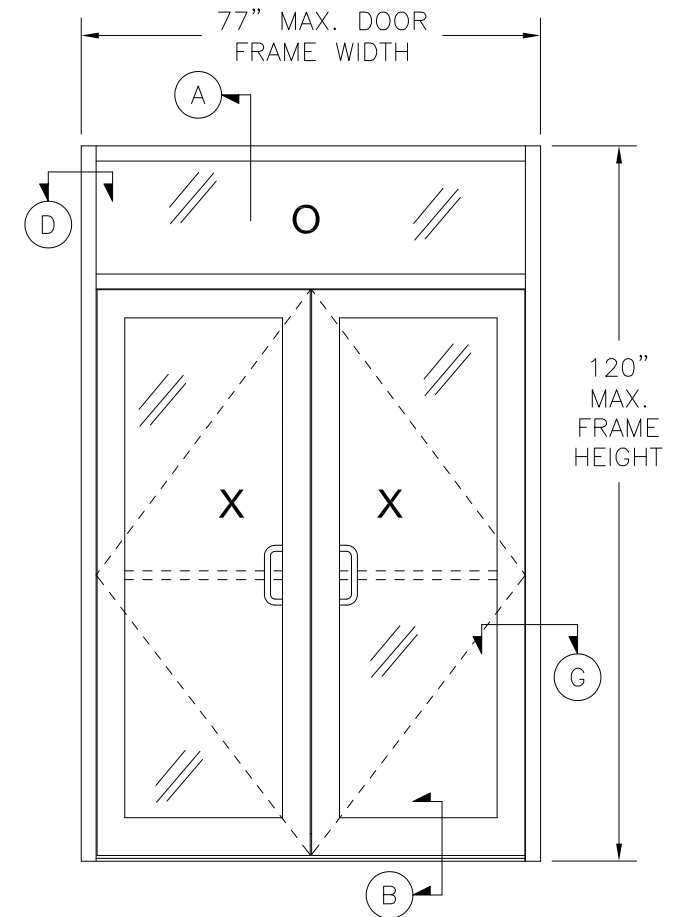


SINGLE

SINGLE W/TRANSOM



DOUBLE



DOUBLE W/TRANSOM

HARDWARE SCHEDULE	
HINGING METHOD	PUSH / PULLS
HAGER BUTT HINGE	STANDARD PUSH BAR
DH299 GEAR HINGE PEMKO	STANDARD PULL HANDLE
DH022 OFFSET PIVOTS	ROCKWOOD PUSH/PULL BX15745

LOCKS / EXIT DEVICES	CLOSERS
USAL SIX PIN CYLINDER AND CYLINDER RING	CRL 045 SMC
USAL THUMB TURN	JACKSON 20-330 OHCC
USAL FLUSH BOLTS	LCN4111 SMOOTHIE SMC
JACKSON 1285 CVR PANIC	LCN1461 SMC
JACKSON 2086 CVR PANIC	LCN 2030 OHCC
IVES FLUSH BOLTS	LCN 4040 SUPER SMOOTHIE SMC
ADAMS RITE 1850	DORMA 650 SMC
ADAMS RITE 1880	DORMA 650 PAFHO SMC
ADAMSRITE G86 CVR PANIC	
AHT CVR PANIC	

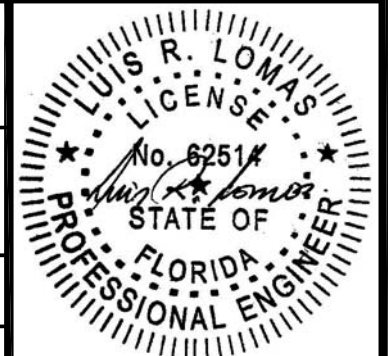
SIGNED: 10/23/2017

**US ALUMINUM**  
 DIVISION OF C.R. LAURENCE CO., INC.  
 780 CELRIVER RD, ROCK HILL, SC 29730

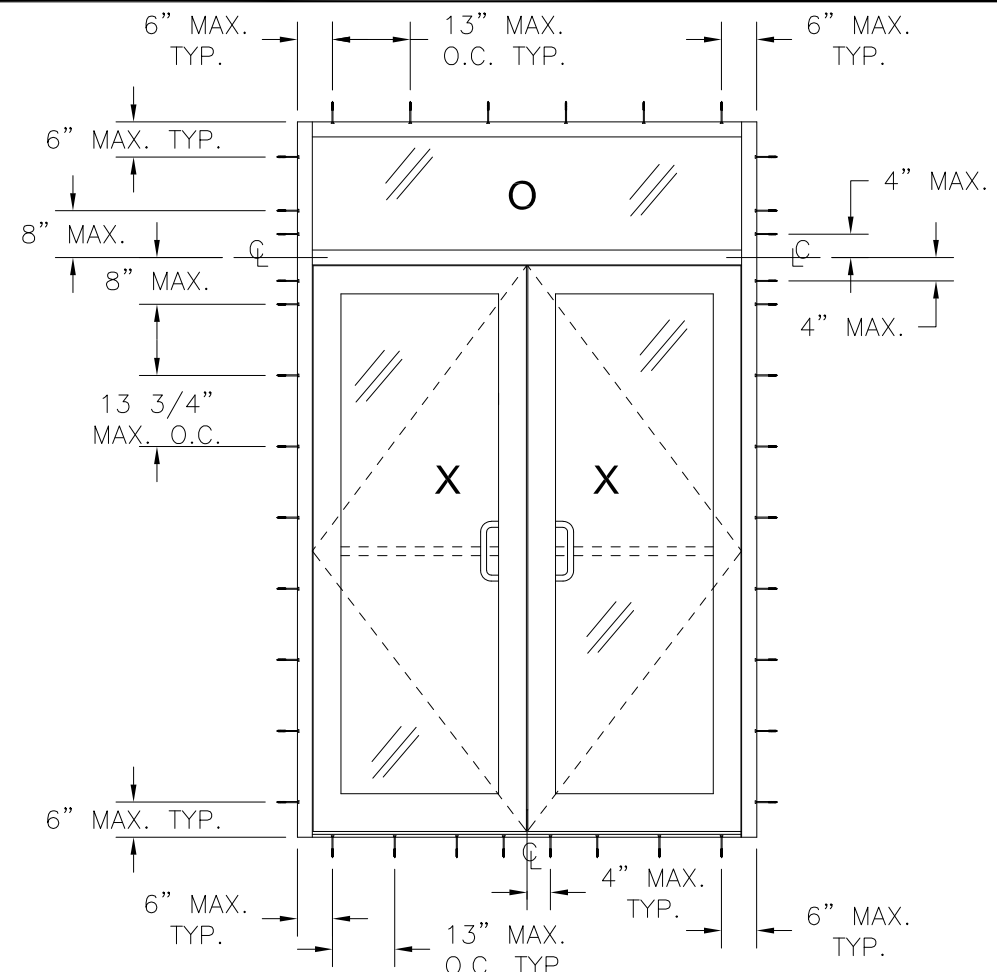
SERIES IG500/IG600 STORM FRONT OS ALUMINUM  
 STOREFRONT DOOR SYSTEM – LMI  
 ADDITIONAL APPROVED CONFIGURATIONS

DRAWN: AP	DWG NO. 08-01575	REV B
SCALE NTS	DATE 06/12/12	SHEET 3 OF 15

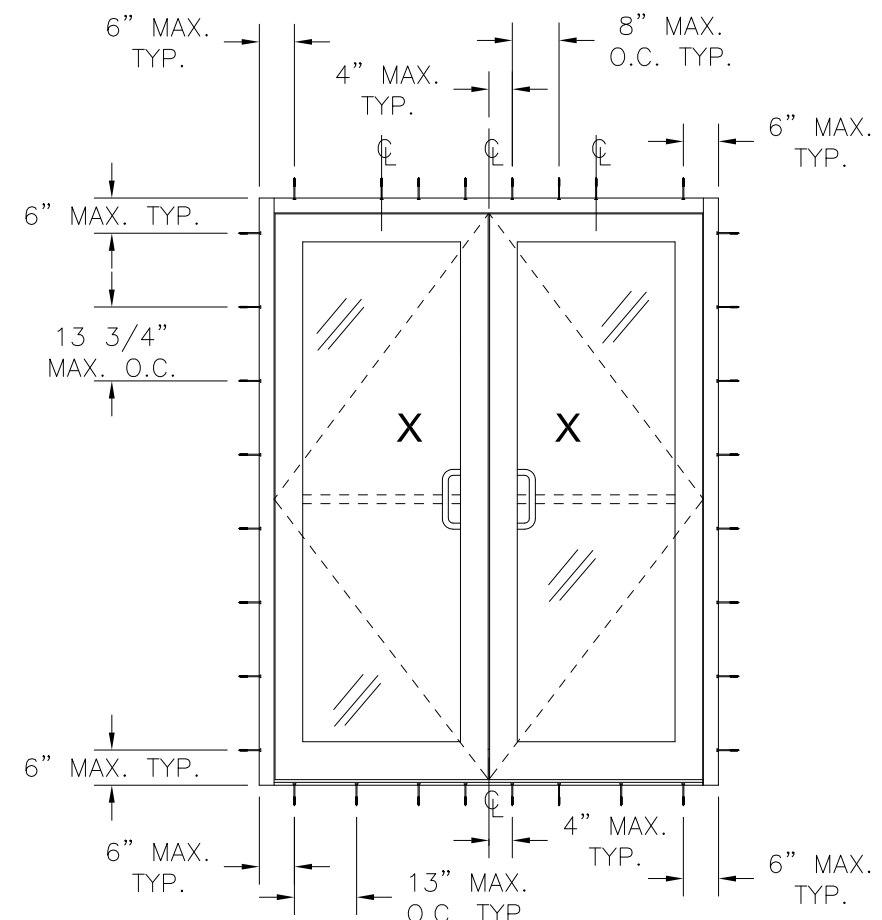
L. ROBERTO LOMAS P.E.  
 1432 WOODFORD RD LEWISVILLE, NC 27023  
 434-688-0609 rllomas@rlomaspe.com



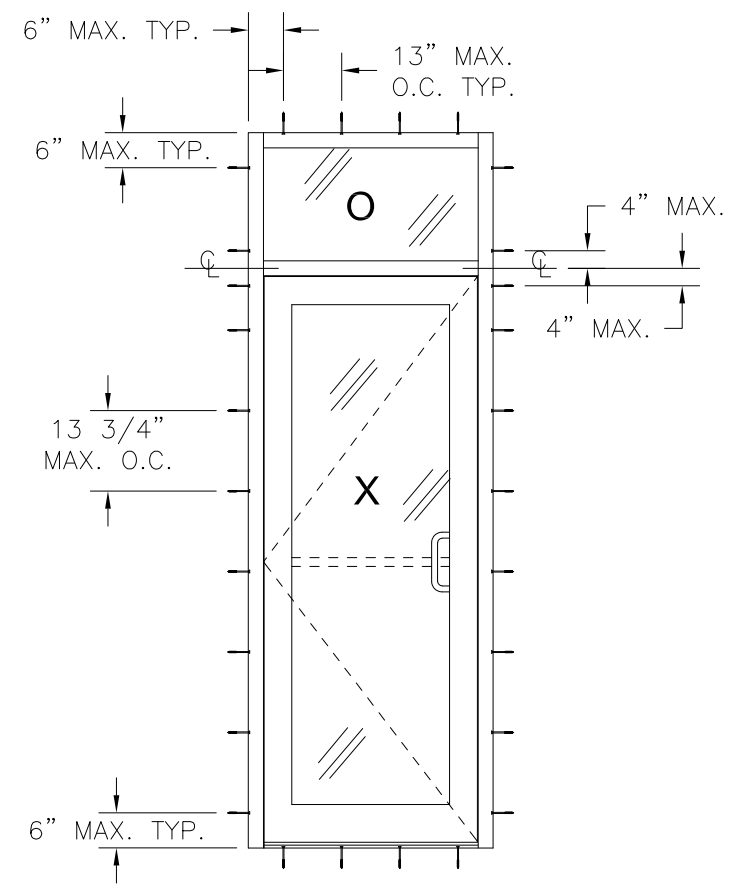
Luis R. Lomas P.E.  
 FL No.: 62514



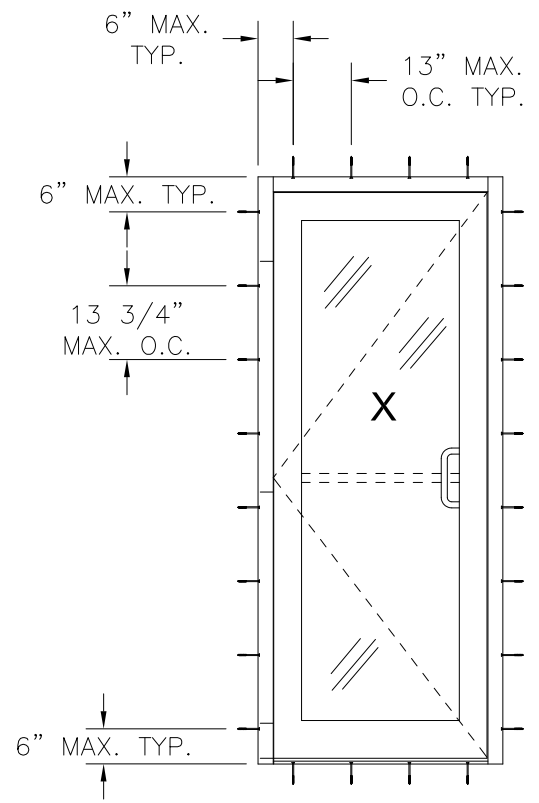
**DOUBLE W/TRANSOM**



**DOUBLE**



**SINGLE W/TRANSOM**



**SINGLE**

REVISIONS			
REV	DESCRIPTION	DATE	APPROVED
A	REVISED INSTALLATION DETAILS	04/27/15	R.L.
B	REVISED GLAZING DETAILS	10/04/17	R.L.

**US ALUMINUM**  
 DIVISION OF C.R. LAURENCE CO., INC.  
 780 CELRIVER RD, ROCK HILL, SC 29730

---

SERIES IG500/IG600 STORM FRONT OS ALUMINUM  
 STOREFRONT DOOR SYSTEM – LMI  
 ANCHORING LAYOUT AND NOTES

DRAWN: AP	DWG NO. 08-01575	REV B
SCALE NTS	DATE 06/12/12	SHEET 4 OF 15

L. ROBERTO LOMAS P.E.  
 1432 WOODFORD RD LEWISVILLE, NC 27023  
 434-688-0609 rllomas@rlomaspe.com

SIGNED: 10/23/2017

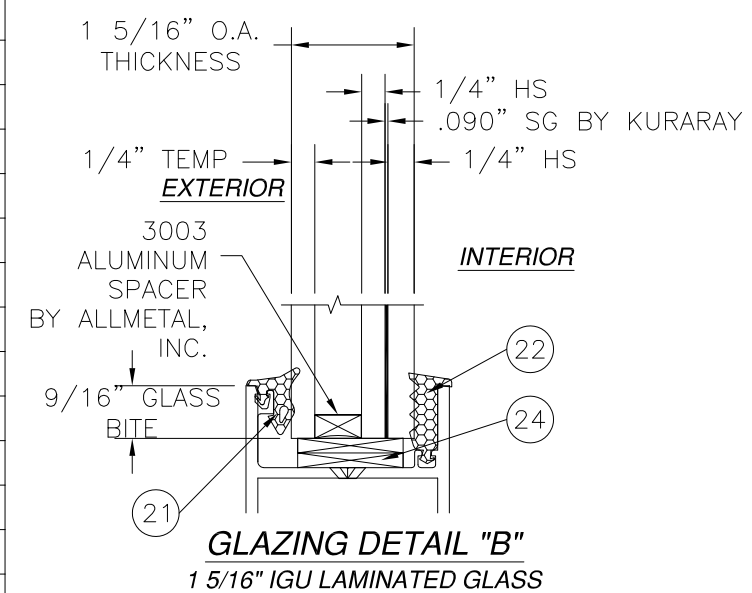
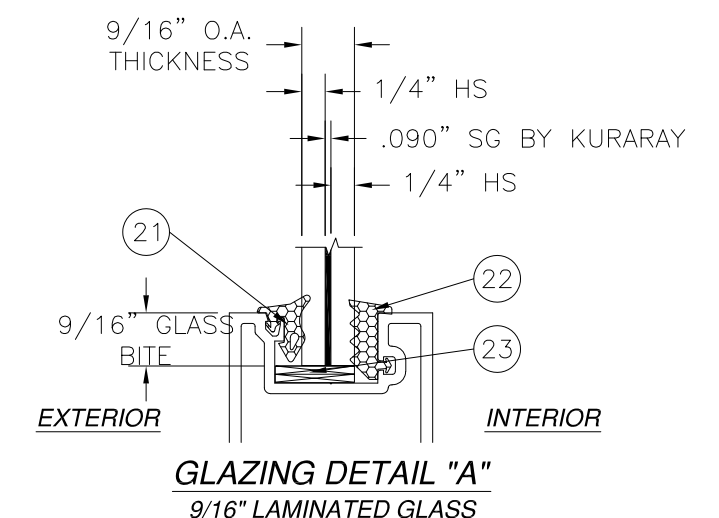


Luis R. Lomas P.E.  
 FL No.: 62514

PARTS LIST				
NO.	PART NUMBER	DESCRIPTION	MANUFACTURER	MATERIAL
1	IG526	MAIN FRAME - 9/16" GLASS	US ALUMINUM	ALUMINUM 6063-T5
2	IG626	MAIN FRAME - 1 5/16" GLASS	US ALUMINUM	ALUMINUM 6063-T5
3	IG577	HORIZONTAL MULL - 9/16" GLASS	US ALUMINUM	ALUMINUM 6063-T5
4	IG677	HORIZONTAL MULL - 1 5/16" GLASS	US ALUMINUM	ALUMINUM 6063-T5
5	IG570	SUB-SILL	US ALUMINUM	ALUMINUM 6063-T5
6	TH800	WATER THRESHOLD	US ALUMINUM	ALUMINUM 6063-T5
7	TH811	AIR SILL	US ALUMINUM	ALUMINUM 6063-T5
8	IG524	FILLER VERTICAL - 9/16" GLASS	US ALUMINUM	ALUMINUM 6063-T5
9	IG624	FILLER VERTICAL - 1 5/16" GLASS	US ALUMINUM	ALUMINUM 6063-T5
10	IG563	STOP - 9/16" GLASS	US ALUMINUM	ALUMINUM 6063-T5
11	IG663	STOP - 1 5/16" GLASS	US ALUMINUM	ALUMINUM 6063-T5
12	IG100	FILLER JAMB/HEAD	US ALUMINUM	ALUMINUM 6063-T5
13	EC801	SUB-SILL END DAM	US ALUMINUM	A-245
14	IE402	TOP RAIL - 9/16" GLASS	US ALUMINUM	ALUMINUM 6063-T5
15	IE502	TOP RAIL - 1 5/16" GLASS	US ALUMINUM	ALUMINUM 6063-T5
16	IE050	DOOR GLASS STOP - 9/16" GLASS	US ALUMINUM	ALUMINUM 6063-T5
17	IE150	DOOR GLASS STOP - 1 5/16" GLASS	US ALUMINUM	ALUMINUM 6063-T5
18	IE401	BOTTOM RAIL - 9/16" GLASS	US ALUMINUM	ALUMINUM 6063-T5
19	IE501	BOTTOM RAIL - 1 5/16" GLASS	US ALUMINUM	ALUMINUM 6063-T5
20	NP801	DOOR WEATHERSTRIP	US ALUMINUM	
21	NP825	EXTERIOR GASKET	TREMCO	EDPM 70 DUROMETER
22	NP826	INTERIOR GASKET	TREMCO	EPDM SPONGE
23	SB916	SETTING BLOCK - 9/16" GLASS	US ALUMINUM	EPDM 85 DUROMETER
24	SB917	SETTING BLOCK - 1 1/4" GLASS	US ALUMINUM	EPDM 85 DUROMETER
25	ST266	#12 x 1" HWH SMS		
26	ST268	#12 x 3/4" HWH SMS		
27		LARGE MISSILE IMPACT GLASS		
28		8GA. STEEL STIFFENER HEAVY	US ALUMINUM	A36 MILD STEEL
29	WB600	W BLOCK .688" WIDE		
30	ST035	#10 x 5/8" FH SMS		
31	DOW995	SILICONE SEALANT	DOW CORNING	SILICONE
32	CB801	6 1/8" CORNER BLOCK	US ALUMINUM	
33	TH804	SILL INSERT	US ALUMINUM	ALUMINUM 6063-T5
34	D916	SETTING BLOCK	US ALUMINUM	EPDM
35	IE420	PLAIN STILE - 9/16" GLASS	US ALUMINUM	ALUMINUM 6063-T5
36	IE520	PLAIN STILE - 1 5/16" GLASS	US ALUMINUM	ALUMINUM 6063-T5
37	IG046	DOOR STOP - 9/16" GLASS	US ALUMINUM	ALUMINUM 6063-T5
38	IG146	DOOR STOP - 1 5/16" GLASS	US ALUMINUM	ALUMINUM 6063-T5
39	IG047	STOP RETAINER - 9/16" GLASS	US ALUMINUM	ALUMINUM 6063-T5
40	IG147	STOP RETAINER - 1 5/16" GLASS	US ALUMINUM	ALUMINUM 6063-T5

PARTS LIST				
NO.	PART NUMBER	DESCRIPTION	MANUFACTURER	MATERIAL
41	IE450	LOCK STILE - 9/16" GLASS	US ALUMINUM	ALUMINUM 6063-T5
42	IE550	LOCK STILE - 1 5/16" GLASS	US ALUMINUM	ALUMINUM 6063-T5
43	IE460	LOCK STILE - 9/16" GLASS	US ALUMINUM	ALUMINUM 6063-T5
44	IE560	LOCK STILE - 1 5/16" GLASS	US ALUMINUM	ALUMINUM 6063-T5
45	NP802	DOOR WEATHERSTRIP	US ALUMINUM	
46	CB802	SHEAR CHANNEL	US ALUMINUM	ALUMINUM 6063-T5
47	1285	PANIC BAR	JACKSON	
48	G86	PANIC BAR	ADAMS RITE	
49	4111	CLOSER	LCN	
50	1461	SURFACE CLOSER	LCN	
51	20-330	OHCC CLOSER	JACKSON	
52	2030	OHCC CLOSER	LCN	
53	CL045	SURFACE CLOSER	CR LAWRENCE	
54		FLUSH BOLT	US ALUMINUM	
55		FLUSH BOLT	IVES	
56		STANDARD LOCK		
57		1 1/2" BUTT HINGE PAIR	HAGER	
58	CB801	2 3/8" CORNER BLOCK	US ALUMINUM	
59	ST197	#8 x 3/8" PH SMS		
60	DN350	LOCK STILE CAP	US ALUMINUM	ALUMINUM 6063-T5
61	IG200	DOOR STOP	US ALUMINUM	ALUMINUM 6063-T5
62	IG567	HORIZONTAL MULL - 9/16" GLASS	US ALUMINUM	ALUMINUM 6063-T5
63	IG667	HORIZONTAL MULL - 1 5/16" GLASS	US ALUMINUM	ALUMINUM 6063-T5
64	CB901	CORNER BLOCK	US ALUMINUM	
65		3/8" - 16 x 3" HH BOLT		
66	TC800	11GA. THRESHOLD CLIP	US ALUMINUM	COLD ROLLED STEEL
67		#12-24 x 1/4" SCREW		

REVISIONS			
REV	DESCRIPTION	DATE	APPROVED
A	REVISED INSTALLATION DETAILS	04/27/15	R.L.
B	REVISED GLAZING DETAILS	10/04/17	R.L.



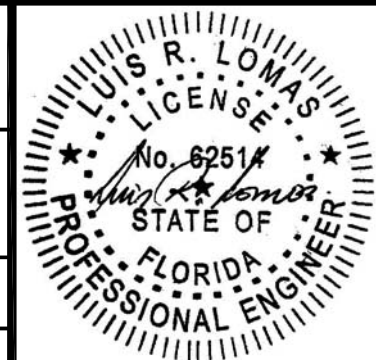
SIGNED: 10/23/2017

**US ALUMINUM**  
DIVISION OF C.R. LAURENCE CO., INC.  
780 CELRIVER RD, ROCK HILL, SC 29730

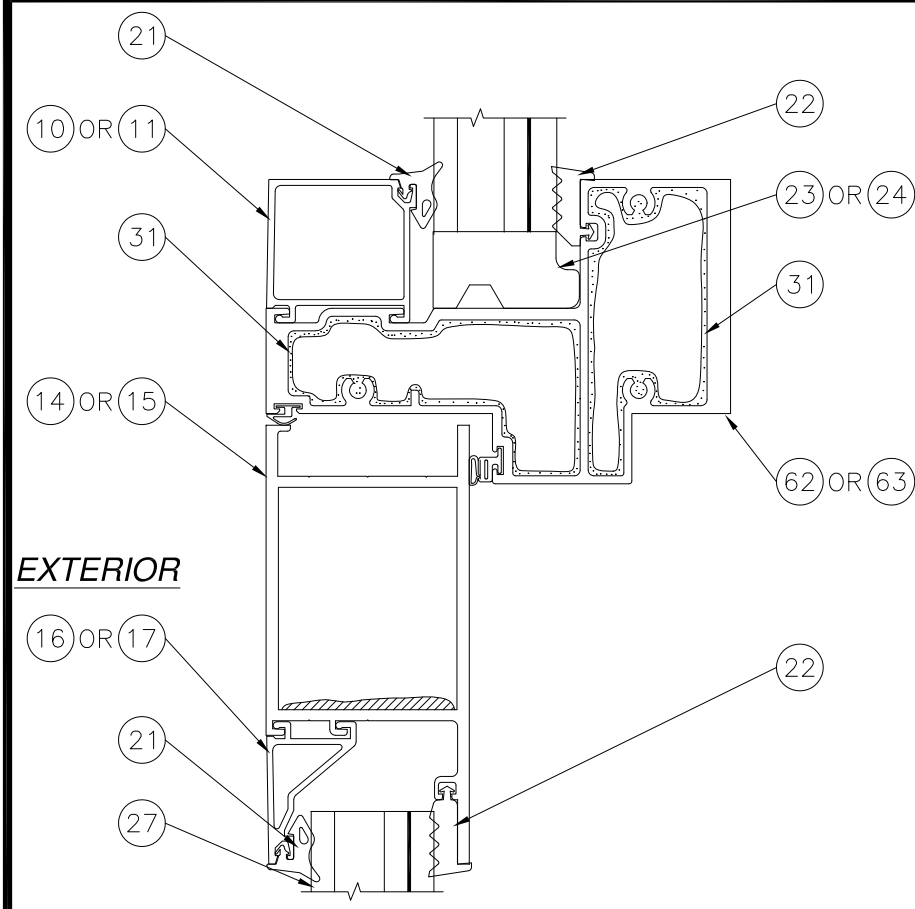
SERIES IG500/IG600 STORM FRONT OS ALUMINUM  
STOREFRONT DOOR SYSTEM - LMI  
BILL OF MATERIALS AND GLAZING DETAILS

DRAWN: AP	DWG NO. 08-01575	REV B
SCALE NTS	DATE 06/12/12	SHEET 5 OF 15

L. ROBERTO LOMAS P.E.  
1432 WOODFORD RD LEWISVILLE, NC 27023  
434-688-0609 rllomas@rlomaspe.com

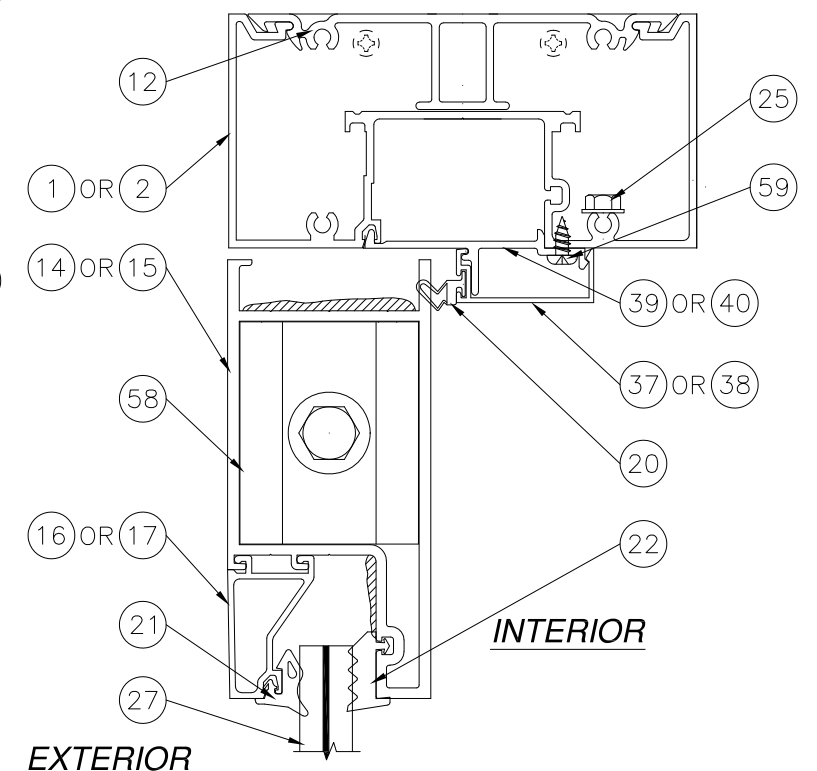


Luis R. Lomas P.E.  
FL No.: 62514



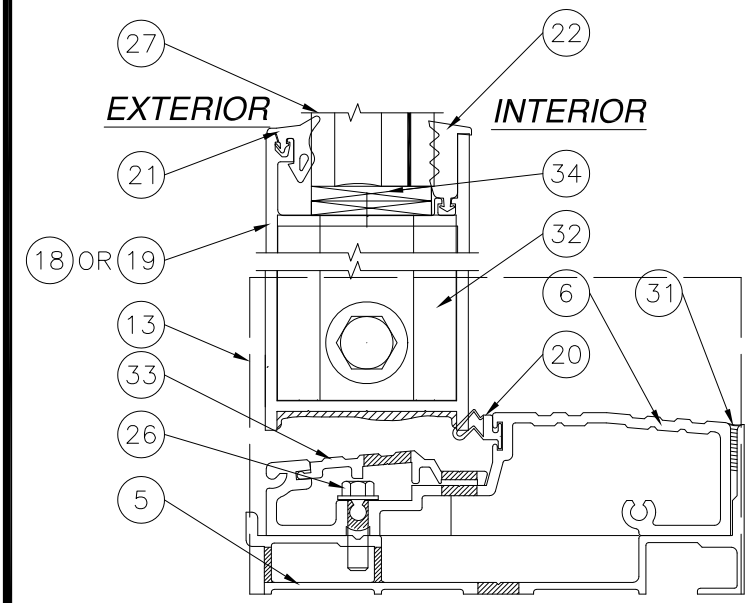
EXTERIOR

H OPTIONAL DOOR HEADER AND TRANSOM

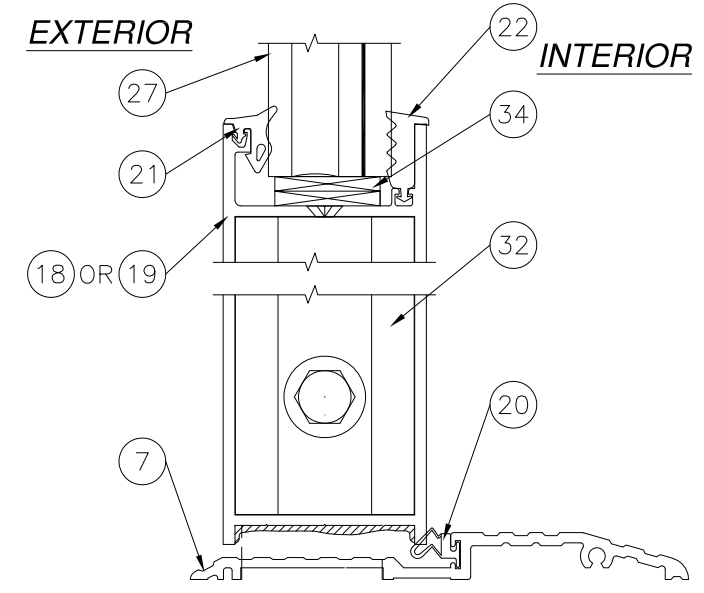


INTERIOR

E DOOR HEADER



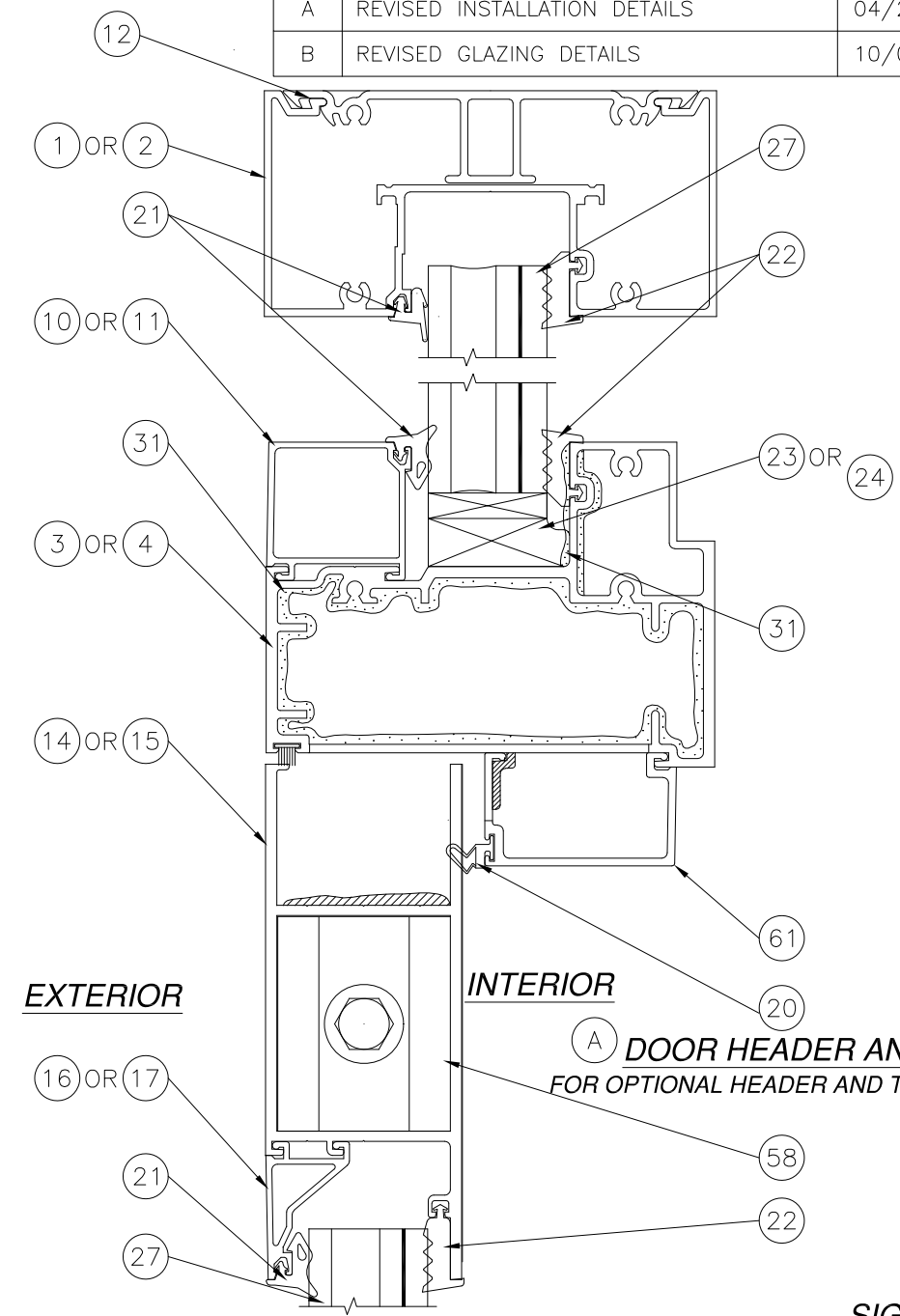
B DOOR WITH WATER THRESHOLD



B DOOR WITH AIR SILL

NOTE: FOR ANCHORING TO SUBSTRATE SEE SHEETS 7 THRU 10.

REVISIONS			
REV	DESCRIPTION	DATE	APPROVED
A	REVISED INSTALLATION DETAILS	04/27/15	R.L.
B	REVISED GLAZING DETAILS	10/04/17	R.L.



EXTERIOR

INTERIOR

A DOOR HEADER AND TRANSOM  
FOR OPTIONAL HEADER AND TRANSOM SEE DETAIL H

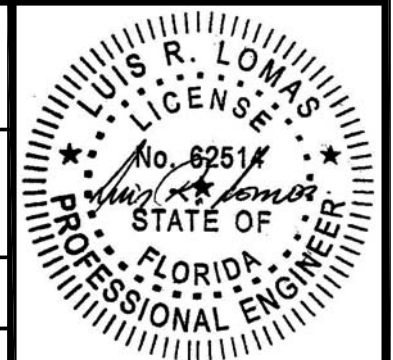
SIGNED: 10/23/2017

**US ALUMINUM**  
DIVISION OF C.R. LAURENCE CO., INC.  
780 CELRIVER RD, ROCK HILL, SC 29730

SERIES IG500/IG600 STORM FRONT OS ALUMINUM  
STOREFRONT DOOR SYSTEM - LMI  
CROSS SECTIONS

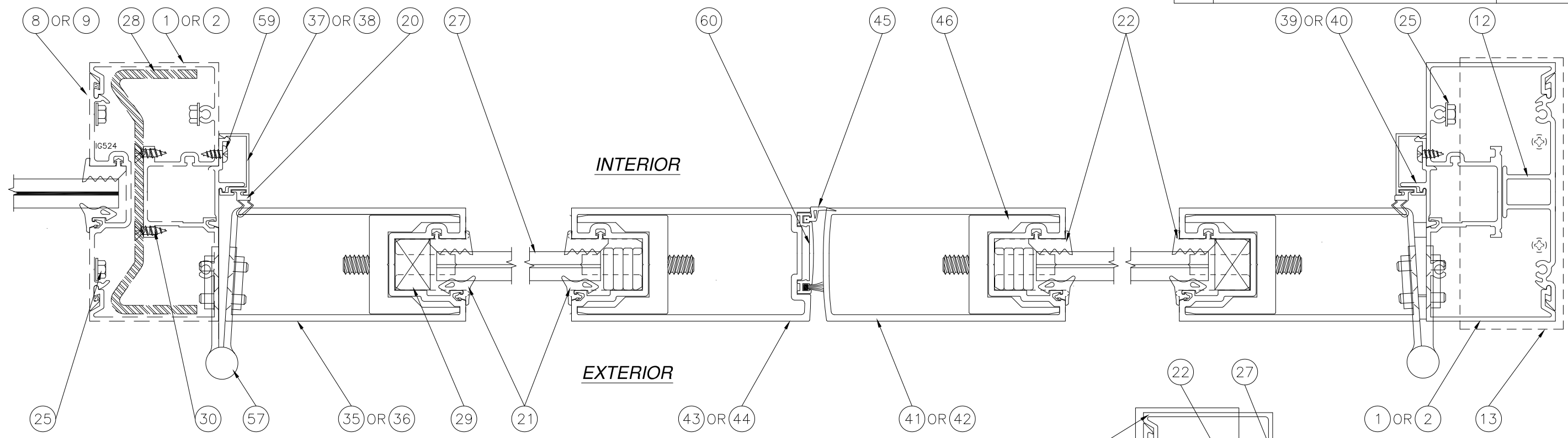
DRAWN: AP	DWG NO. 08-01575	REV B
SCALE NTS	DATE 06/12/12	SHEET 6 OF 15

L. ROBERTO LOMAS P.E.  
1432 WOODFORD RD LEWISVILLE, NC 27023  
434-688-0609 rllomas@rlomaspe.com



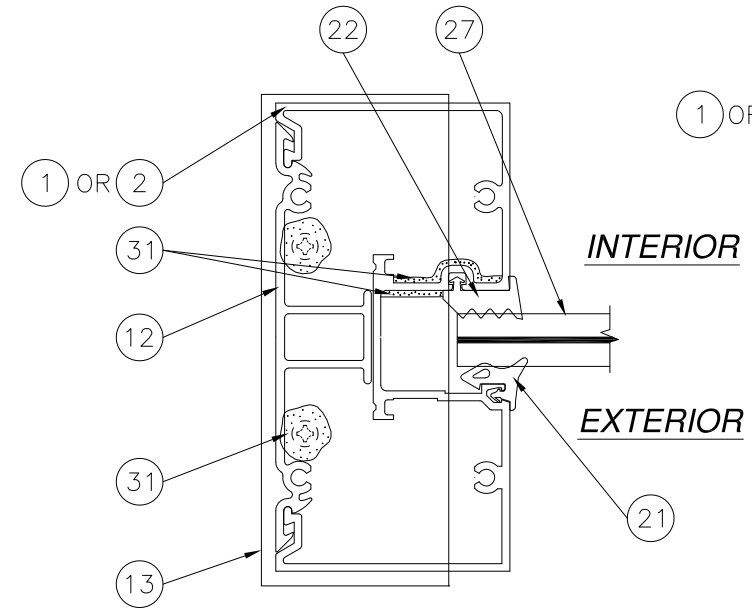
Luis R. Lomas P.E.  
FL No.: 62514

REVISIONS			
REV	DESCRIPTION	DATE	APPROVED
A	REVISED INSTALLATION DETAILS	04/27/15	R.L.
B	REVISED GLAZING DETAILS	10/04/17	R.L.



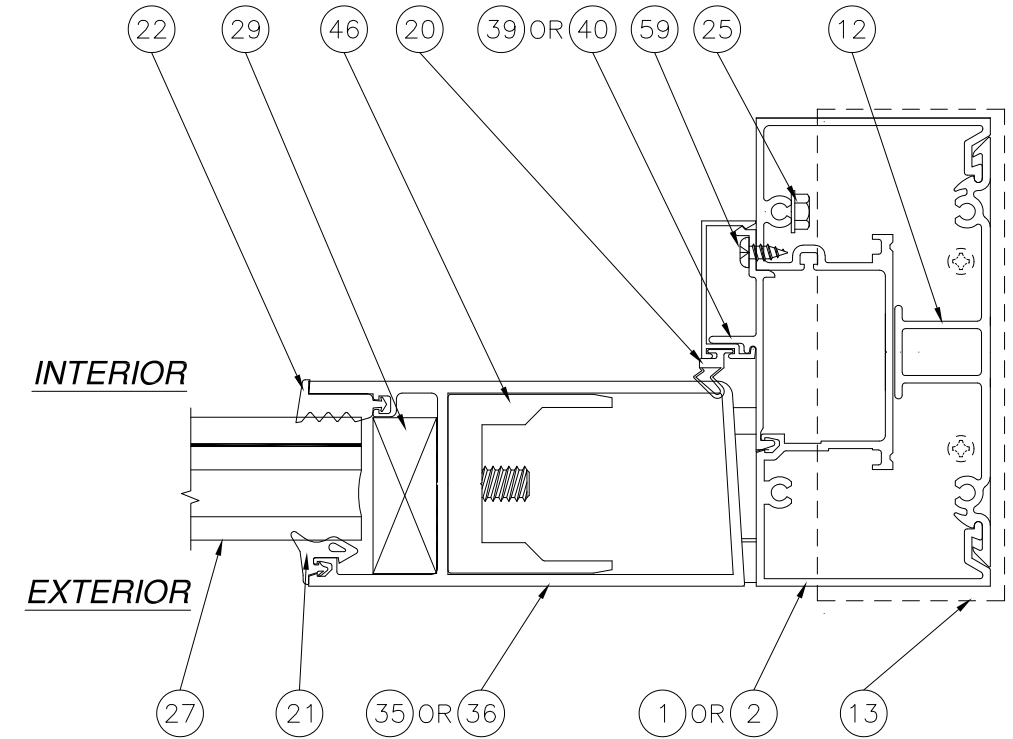
MULLION ASSEMBLY PROPERTIES  
 TOTAL I<sub>x</sub> (IN TERMS OF ALUMINUM): 16.754 in<sup>4</sup>  
 S<sub>x</sub> ALUMINUM: 2.115 in<sup>3</sup>  
 S<sub>x</sub> STEEL: 4.889 in<sup>3</sup>

C **DOUBLE DOOR**



D **TRANSOM JAMB**

NOTE: FOR ANCHORING TO SUBSTRATE SEE SHEETS 7 THRU 10.



F **LOCK STILE TO JAMB**

SIGNED: 10/23/2017

**US ALUMINUM**  
 DIVISION OF C.R. LAURENCE CO., INC.  
 780 CELRIVER RD, ROCK HILL, SC 29730

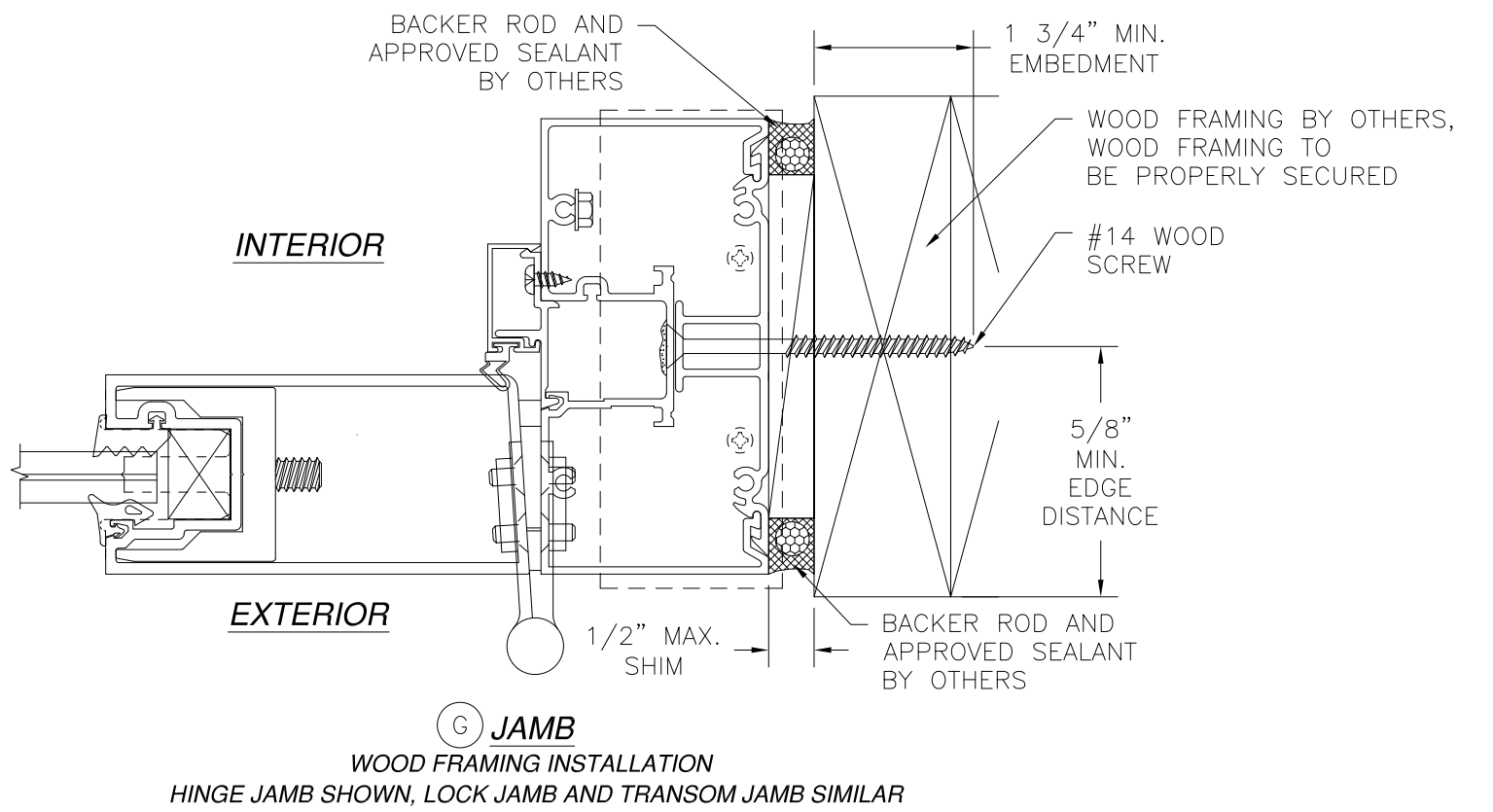
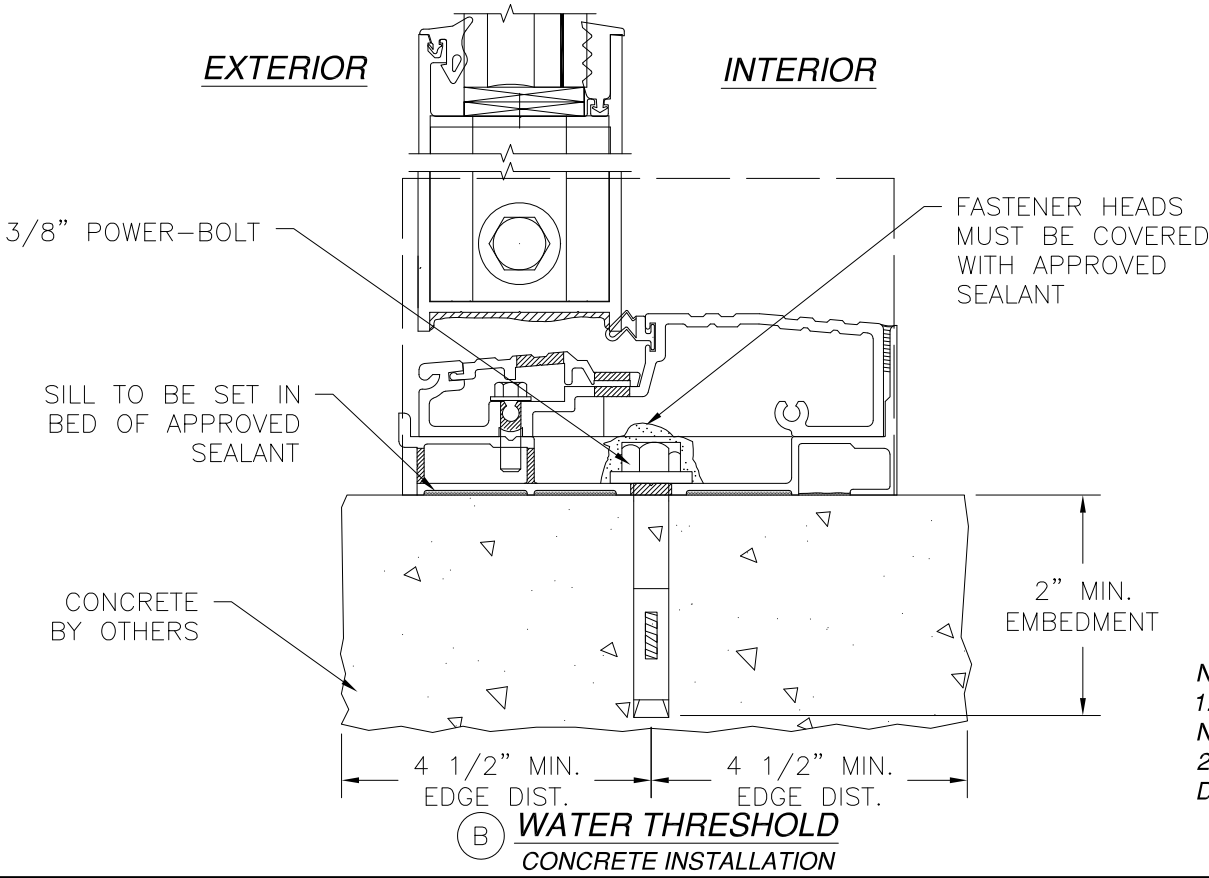
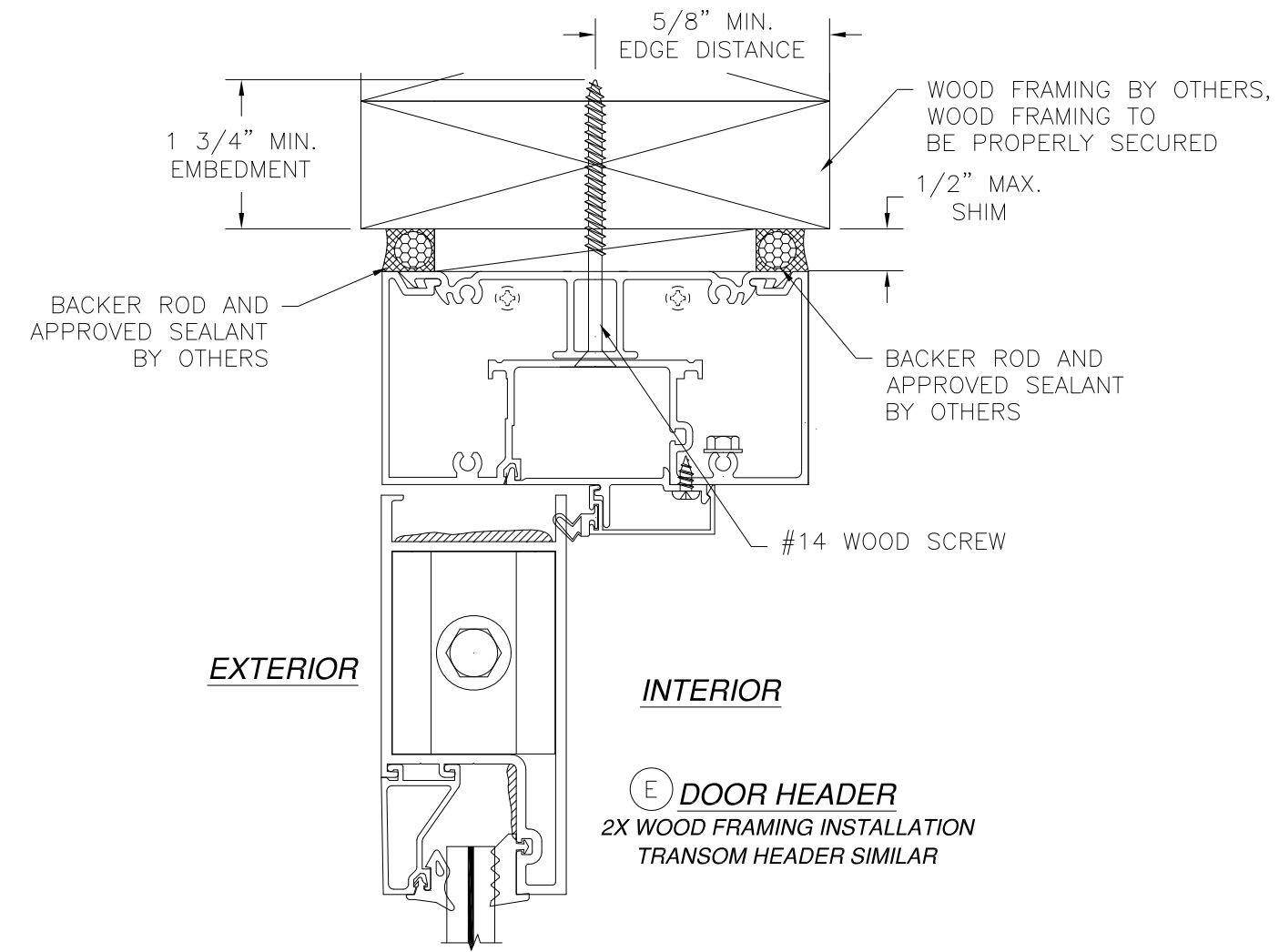
SERIES IG500/IG600 STORM FRONT OS ALUMINUM  
 STOREFRONT DOOR SYSTEM - LMI  
 CROSS SECTIONS

DRAWN: AP	DWG NO. 08-01575	REV B
SCALE NTS	DATE 06/12/12	SHEET 7 OF 15

L. ROBERTO LOMAS P.E.  
 1432 WOODFORD RD LEWISVILLE, NC 27023  
 434-688-0609 rllomas@lrlomaspe.com

Luis R. Lomas P.E.  
 FL No.: 62514

REVISIONS			
REV	DESCRIPTION	DATE	APPROVED
A	REVISED INSTALLATION DETAILS	04/27/15	R.L.
B	REVISED GLAZING DETAILS	10/04/17	R.L.



**NOTES:**  
 1. INTERIOR AND EXTERIOR FINISHES, BY OTHERS, NOT SHOWN FOR CLARITY.  
 2. PERIMETER AND JOINT SEALANT BY OTHERS TO BE DESIGNED IN ACCORDANCE WITH ASTM E2112

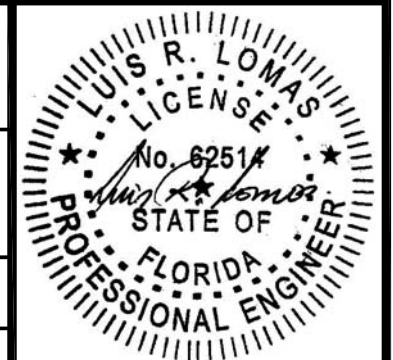
**US ALUMINUM**  
 DIVISION OF C.R. LAURENCE CO., INC.  
 780 CELRIVER RD, ROCK HILL, SC 29730

SERIES IG500/IG600 STORM FRONT OS ALUMINUM  
 STOREFRONT DOOR SYSTEM - LMI  
 INSTALLATION DETAILS

DRAWN: AP	DWG NO. 08-01575	REV B
SCALE NTS	DATE 06/12/12	SHEET 8 OF 15

L. ROBERTO LOMAS P.E.  
 1432 WOODFORD RD LEWISVILLE, NC 27023  
 434-688-0609 rllomas@lrlomaspe.com

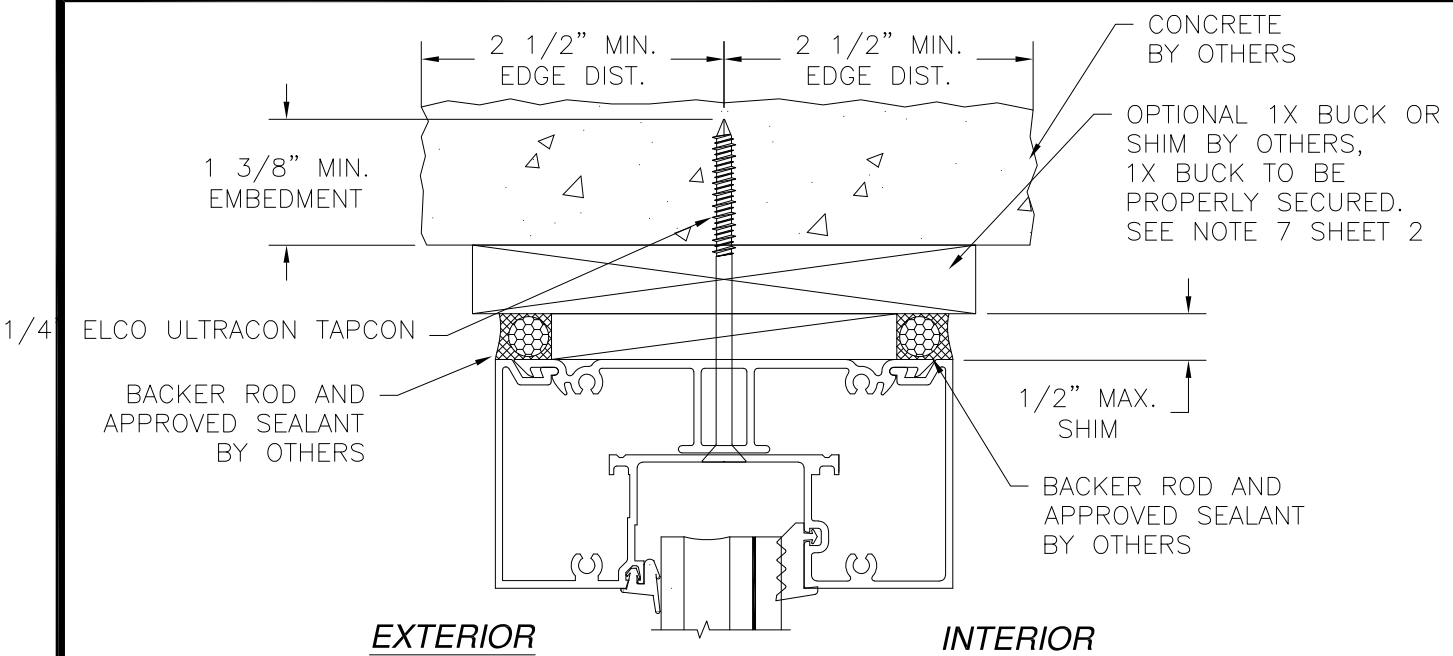
SIGNED: 10/23/2017



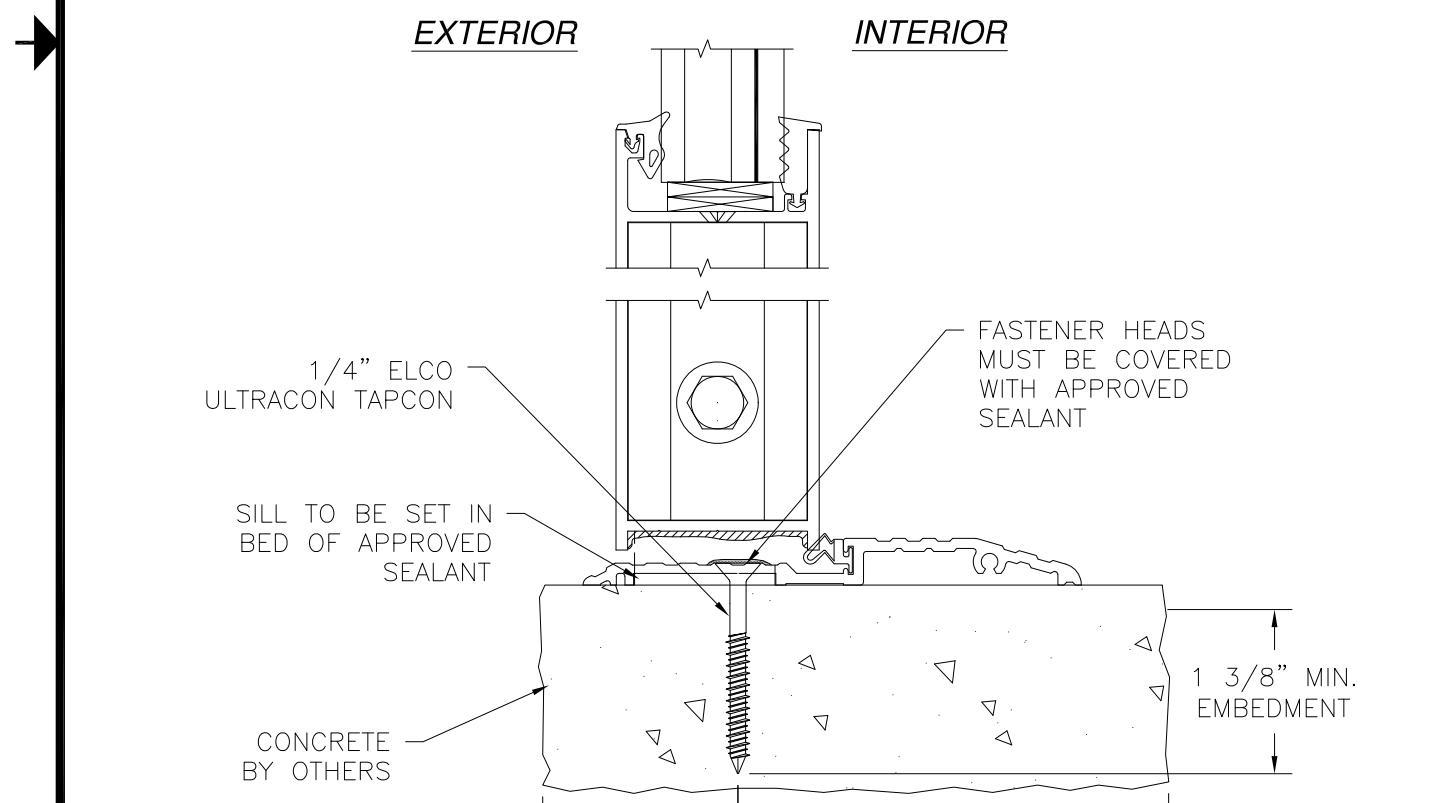
Luis R. Lomas P.E.  
 FL No.: 62514



REVISIONS			
REV	DESCRIPTION	DATE	APPROVED
A	REVISED INSTALLATION DETAILS	04/27/15	R.L.
B	REVISED GLAZING DETAILS	10/04/17	R.L.

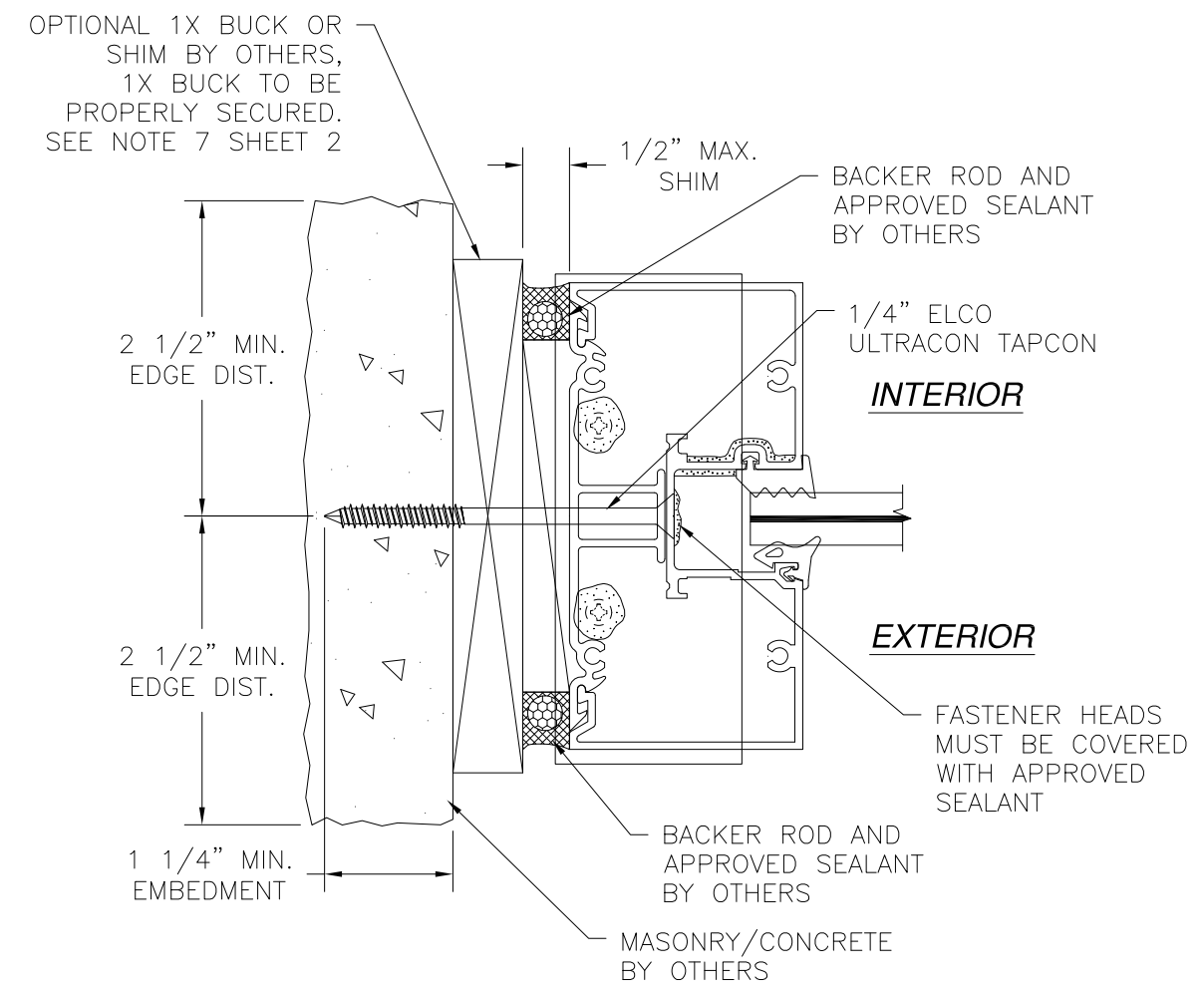


**(A) TRANSOM HEADER**  
CONCRETE INSTALLATION  
DOOR HEADER SIMILAR



**(B) AIR SILL**  
CONCRETE INSTALLATION

**NOTES:**  
1. INTERIOR AND EXTERIOR FINISHES, BY OTHERS, NOT SHOWN FOR CLARITY.  
2. PERIMETER AND JOINT SEALANT BY OTHERS TO BE DESIGNED IN ACCORDANCE WITH ASTM E2112



**(D) TRANSOM JAMB**  
MASONRY/CONCRETE  
LOCK JAMB AND HINGE JAMB SIMILAR

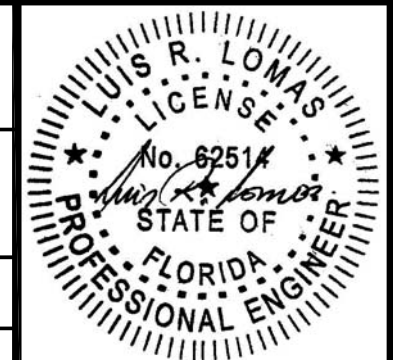
**US ALUMINUM**  
DIVISION OF C.R. LAURENCE CO., INC.  
780 CELRIVER RD, ROCK HILL, SC 29730

SERIES IG500/IG600 STORM FRONT OS ALUMINUM  
STOREFRONT DOOR SYSTEM - LMI  
INSTALLATION DETAILS

DRAWN: AP	DWG NO. 08-01575	REV B
SCALE NTS	DATE 06/12/12	SHEET 9 OF 15

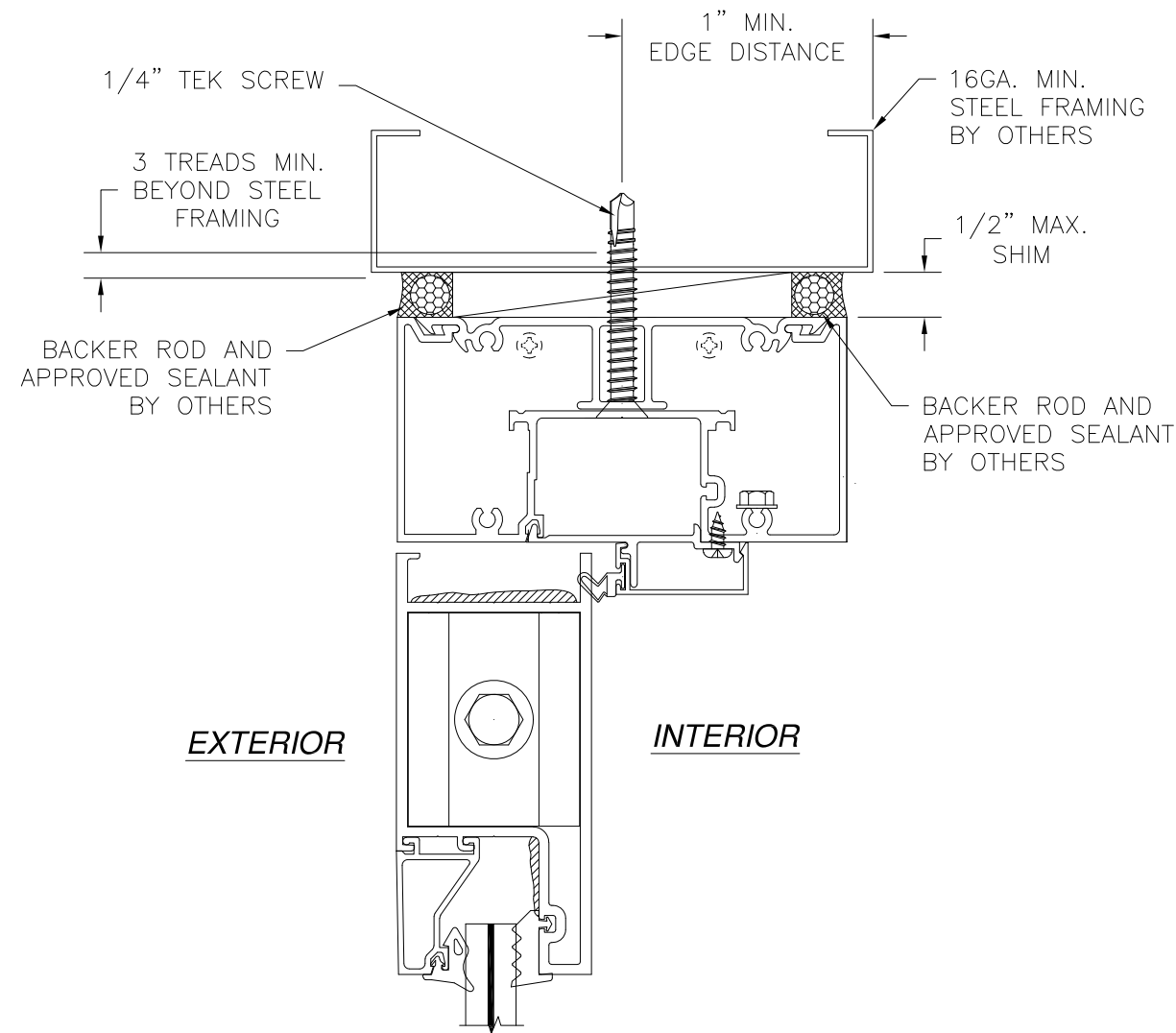
L. ROBERTO LOMAS P.E.  
1432 WOODFORD RD LEWISVILLE, NC 27023  
434-688-0609 rllomas@rlomaspe.com

SIGNED: 10/23/2017

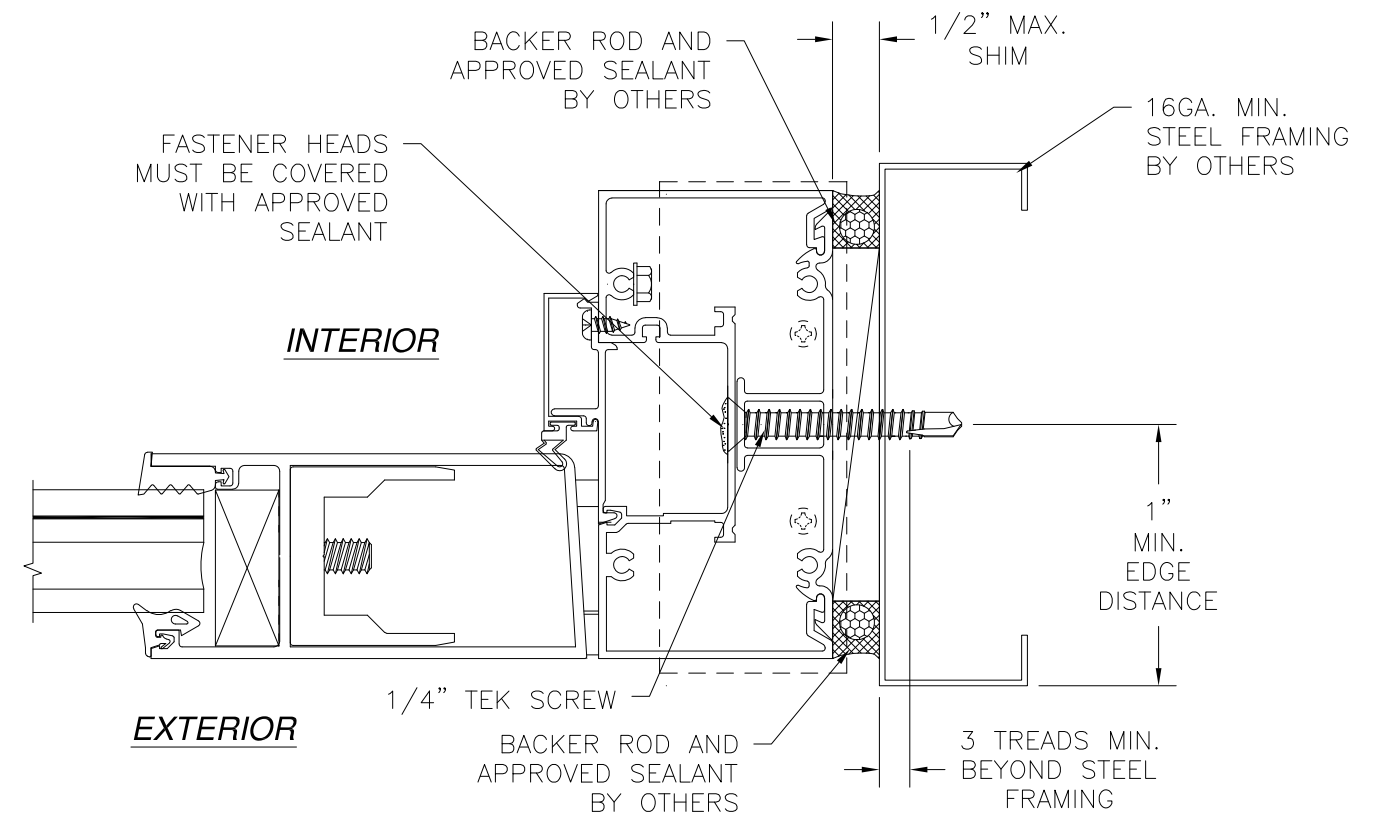


Luis R. Lomas P.E.  
FL No.: 62514

REVISIONS			
REV	DESCRIPTION	DATE	APPROVED
A	REVISED INSTALLATION DETAILS	04/27/15	R.L.
B	REVISED GLAZING DETAILS	10/04/17	R.L.



**(E) DOOR HEADER**  
STEEL FRAMING INSTALLATION  
TRANSOM HEADER SIMILAR

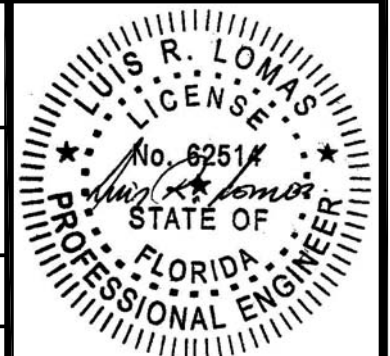


**(G) JAMB**  
STEEL FRAMING INSTALLATION  
TRANSOM JAMB AND HINGE JAMB SIMILAR

NOTES:  
1. INTERIOR AND EXTERIOR FINISHES, BY OTHERS, NOT SHOWN FOR CLARITY.  
2. PERIMETER AND JOINT SEALANT BY OTHERS TO BE DESIGNED IN ACCORDANCE WITH ASTM E2112

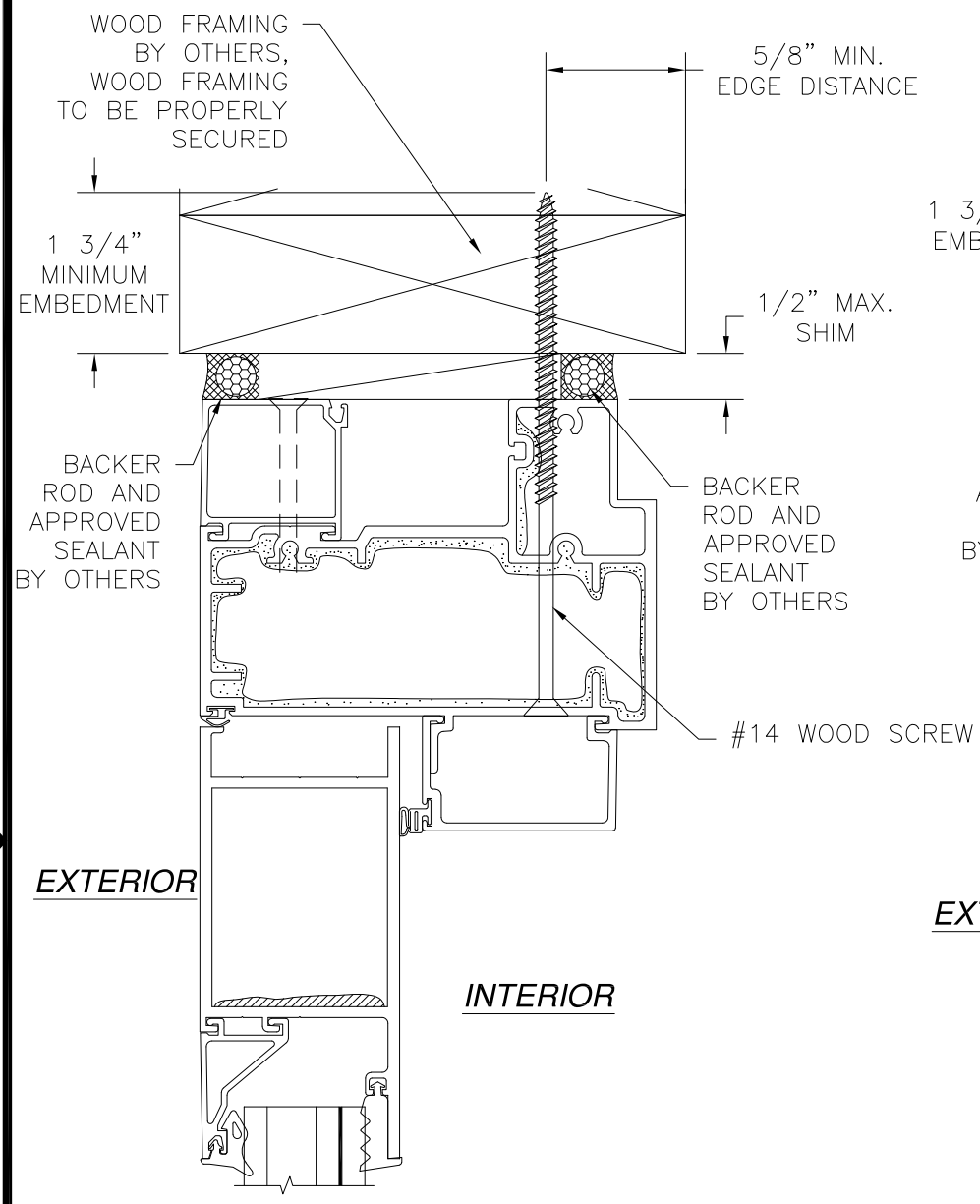
SIGNED: 10/23/2017

<b>US ALUMINUM</b> DIVISION OF C.R. LAURENCE CO., INC. 780 CELRIVER RD, ROCK HILL, SC 29730		
SERIES IG500/IG600 STORM FRONT OS ALUMINUM STOREFRONT DOOR SYSTEM - LMI INSTALLATION DETAILS		
DRAWN: AP	DWG NO. 08-01575	REV B
SCALE NTS	DATE 06/12/12	SHEET 10 OF 15
L. ROBERTO LOMAS P.E. 1432 WOODFORD RD LEWISVILLE, NC 27023 434-688-0609 rllomas@rlomaspe.com		

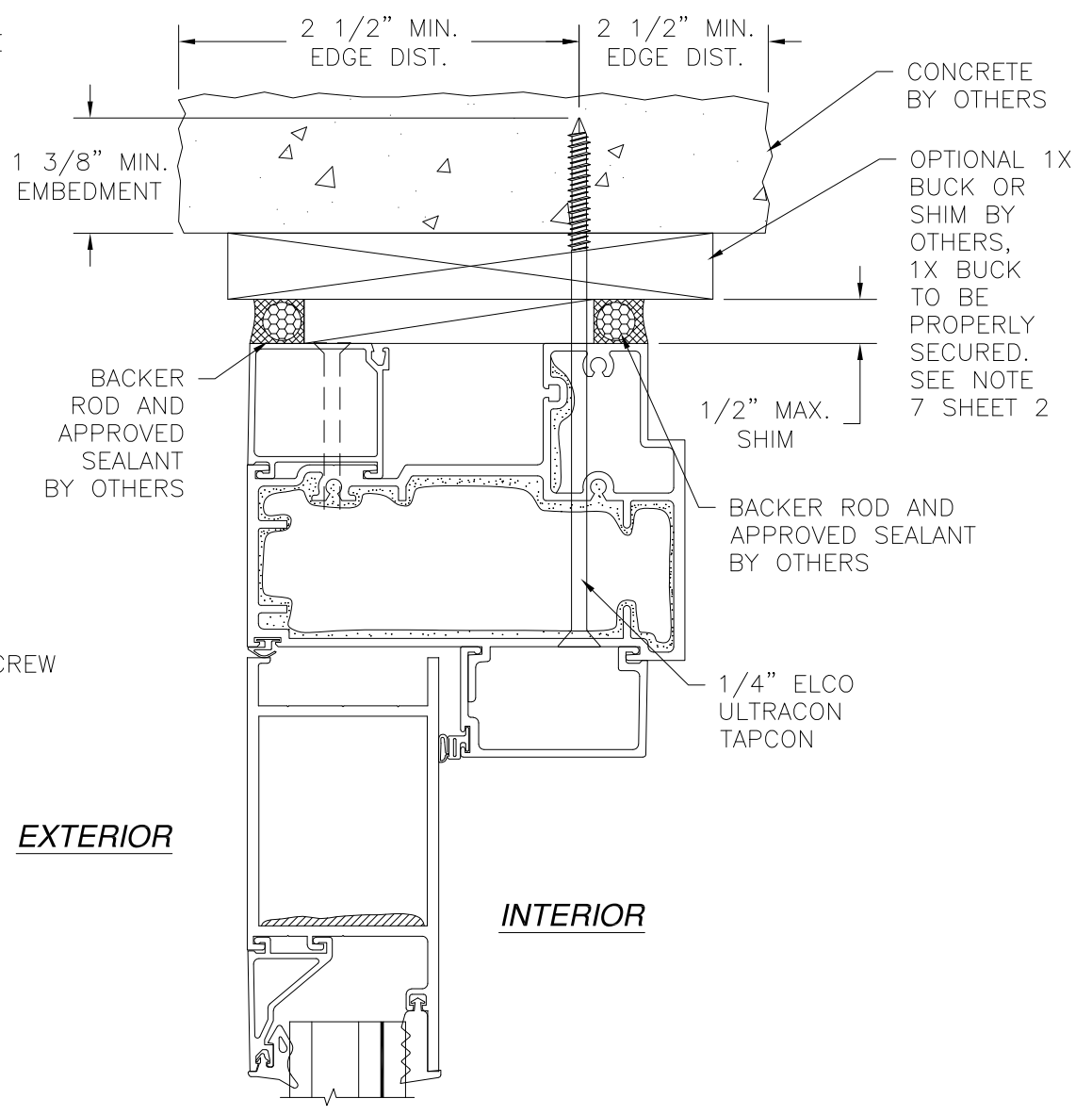


Luis R. Lomas P.E.  
FL No.: 62514

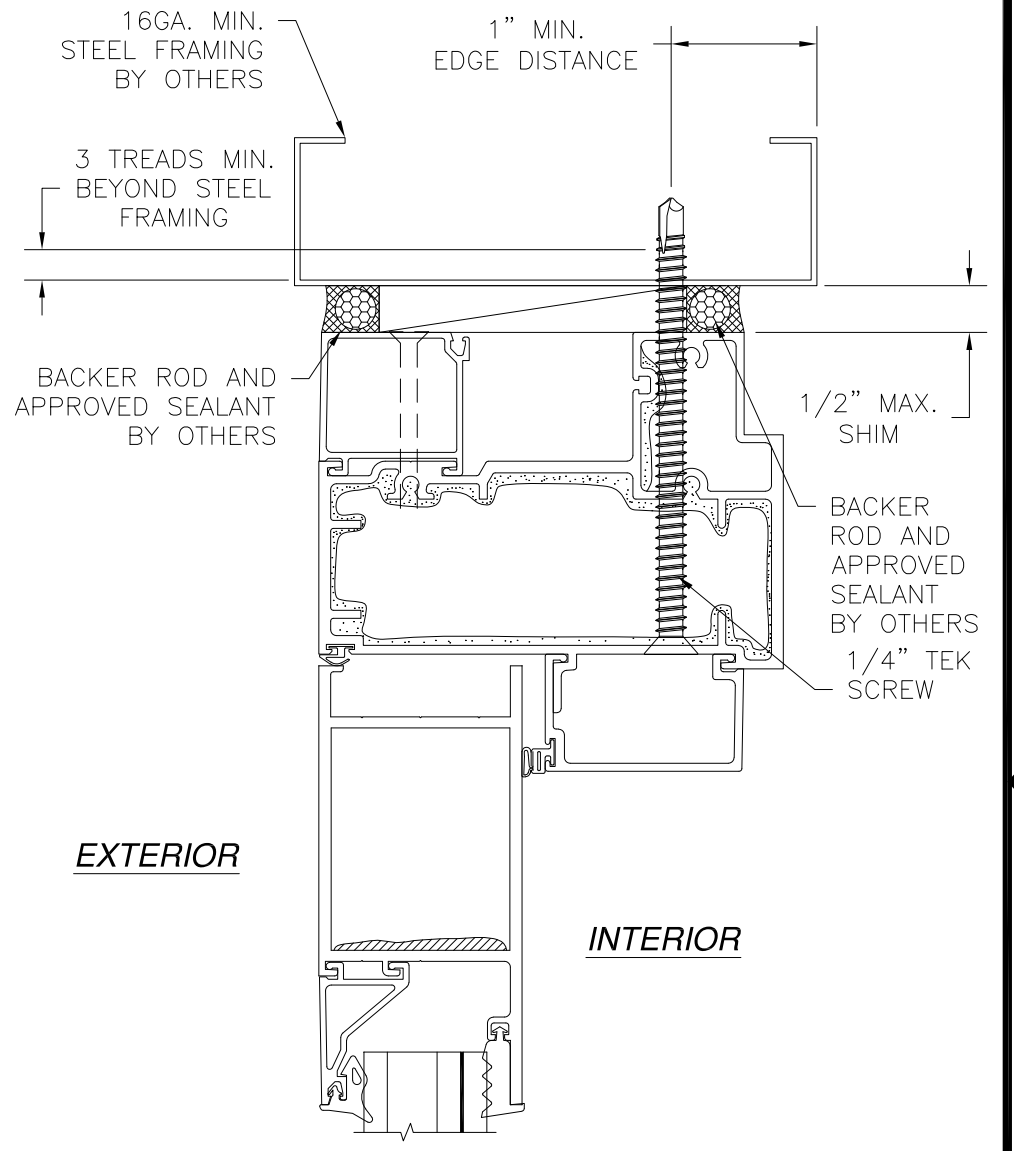
REVISIONS			
REV	DESCRIPTION	DATE	APPROVED
A	REVISED INSTALLATION DETAILS	04/27/15	R.L.
B	REVISED GLAZING DETAILS	10/04/17	R.L.



**(E) OPTIONAL DOOR HEADER  
2X INSTALLATION**



**(E) OPTIONAL DOOR HEADER  
CONCRETE INSTALLATION**



**(E) OPTIONAL DOOR HEADER  
STEEL FRAMING INSTALLATION**

SIGNED: 10/23/2017

NOTES:  
1. INTERIOR AND EXTERIOR FINISHES, BY OTHERS, NOT SHOWN FOR CLARITY.  
2. PERIMETER AND JOINT SEALANT BY OTHERS TO BE DESIGNED IN ACCORDANCE WITH ASTM E2112

**US ALUMINUM**  
DIVISION OF C.R. LAURENCE CO., INC.  
780 CELRIVER RD, ROCK HILL, SC 29730

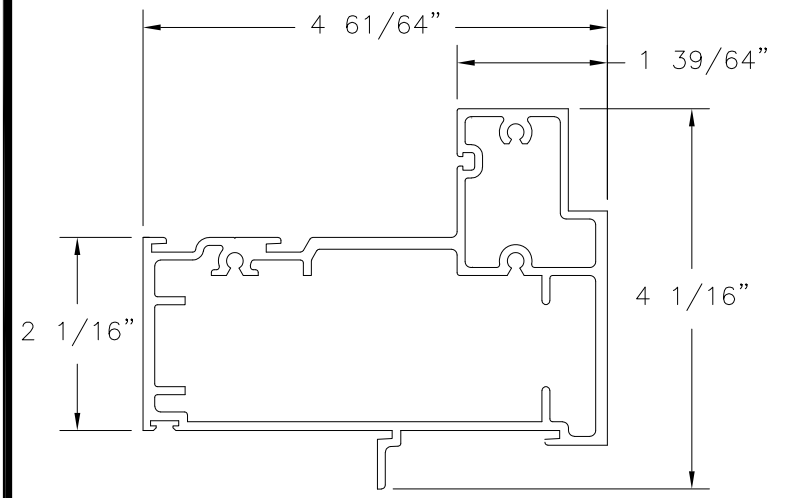
SERIES IG500/IG600 STORM FRONT OS ALUMINUM  
STOREFRONT DOOR SYSTEM - LMI  
INSTALLATION DETAILS

DRAWN: AP	DWG NO. 08-01575	REV B
SCALE NTS	DATE 06/12/12	SHEET 11 OF 15

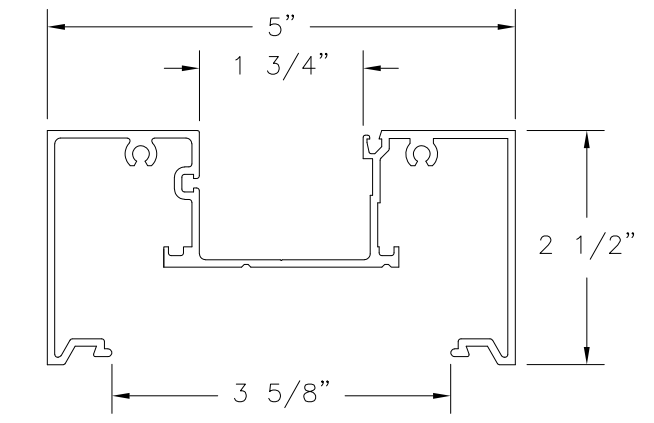
L. ROBERTO LOMAS P.E.  
1432 WOODFORD RD LEWISVILLE, NC 27023  
434-688-0609 rllomas@rlomaspe.com

Luis R. Lomas P.E.  
FL No.: 62514

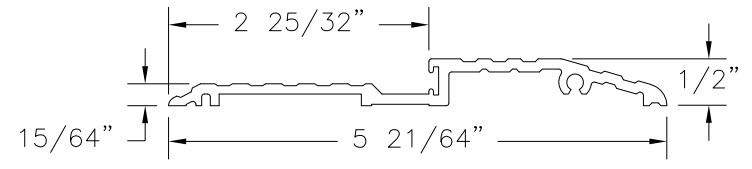
REVISIONS			
REV	DESCRIPTION	DATE	APPROVED
A	REVISED INSTALLATION DETAILS	04/27/15	R.L.
B	REVISED GLAZING DETAILS	10/04/17	R.L.



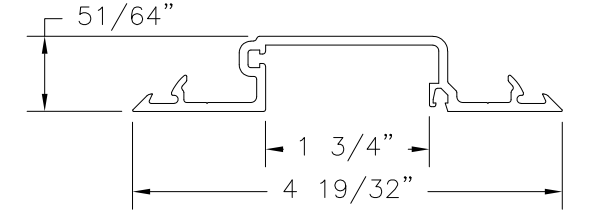
④ **HORIZONTAL MULL - 1 5/16" GLASS**  
EXTRUDED ALUMINUM 6063-T5 .125" THICK



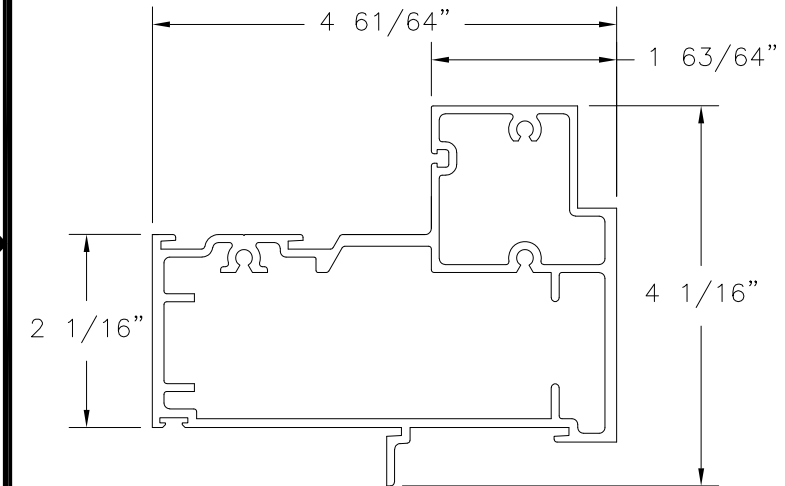
② **MAIN FRAME - 1 5/16" GLASS**  
EXTRUDED ALUMINUM 6063-T5 .080" THICK



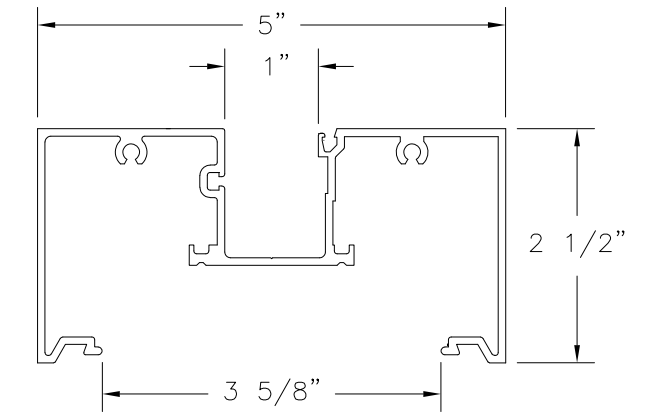
⑦ **AIR SILL**  
EXTRUDED ALUMINUM 6063-T5 .109" THICK



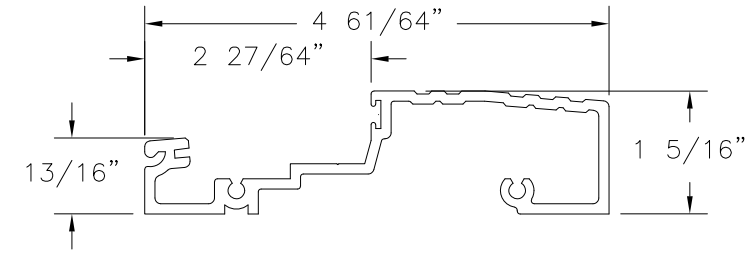
⑨ **FILLER VERTICAL - 1 5/16" GLASS**  
EXTRUDED ALUMINUM 6063-T5 .095" THICK



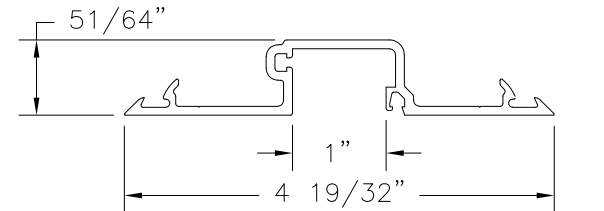
③ **HORIZONTAL MULL - 9/16" GLASS**  
EXTRUDED ALUMINUM 6063-T5 .125" THICK



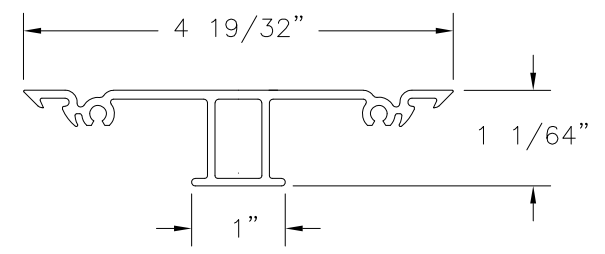
① **MAIN FRAME - 9/16" GLASS**  
EXTRUDED ALUMINUM 6063-T5 .080" THICK



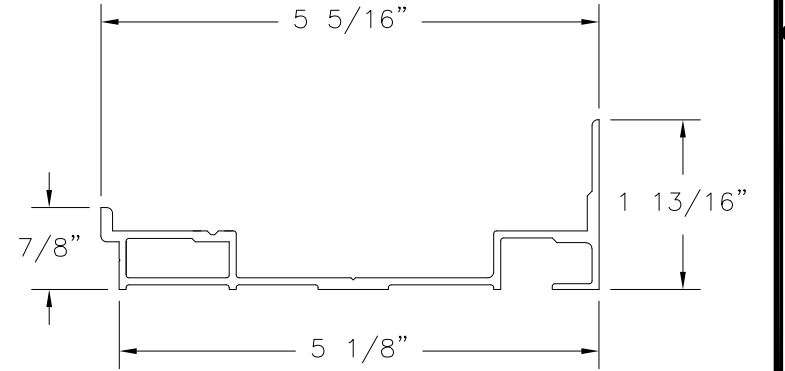
⑥ **WATER THRESHOLD**  
EXTRUDED ALUMINUM 6063-T5 .109" THICK



⑧ **FILLER VERTICAL - 9/16" GLASS**  
EXTRUDED ALUMINUM 6063-T5 .095" THICK

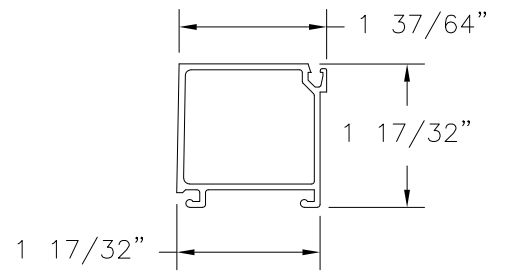


⑫ **FILLER JAMB/HEAD**  
EXTRUDED ALUMINUM 6063-T5 .080" THICK

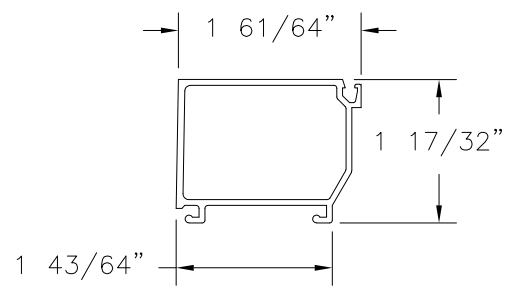


⑤ **SUB SILL**  
EXTRUDED ALUMINUM 6063-T5 .075" THICK

SIGNED: 10/23/2017



⑪ **STOP - 1 5/16" GLASS**  
EXTRUDED ALUMINUM 6063-T5 .062" THICK



⑩ **STOP - 9/16" GLASS**  
EXTRUDED ALUMINUM 6063-T5 .062" THICK

**US ALUMINUM**  
DIVISION OF C.R. LAURENCE CO., INC.  
780 CELRIVER RD, ROCK HILL, SC 29730

SERIES IG500/IG600 STORM FRONT OS ALUMINUM  
STOREFRONT DOOR SYSTEM - LMI  
COMPONENTS

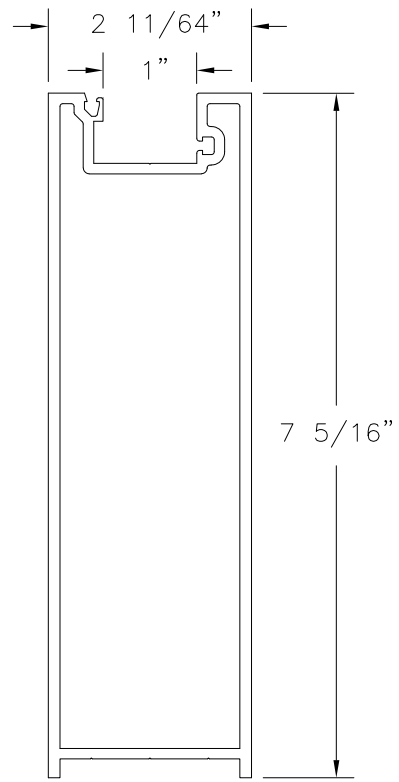
DRAWN: AP	DWG NO. 08-01575	REV B
SCALE NTS	DATE 06/12/12	SHEET 12 OF 15

L. ROBERTO LOMAS P.E.  
1432 WOODFORD RD LEWISVILLE, NC 27023  
434-688-0609 rllomas@lrlomaspe.com

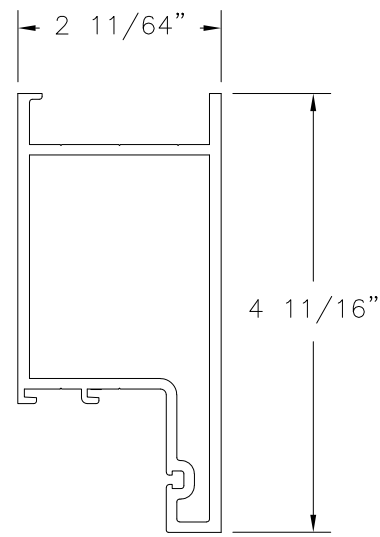
L. ROBERTO LOMAS  
P.E.  
No. 62514  
STATE OF  
FLORIDA  
PROFESSIONAL ENGINEER

Luis R. Lomas P.E.  
FL No.: 62514

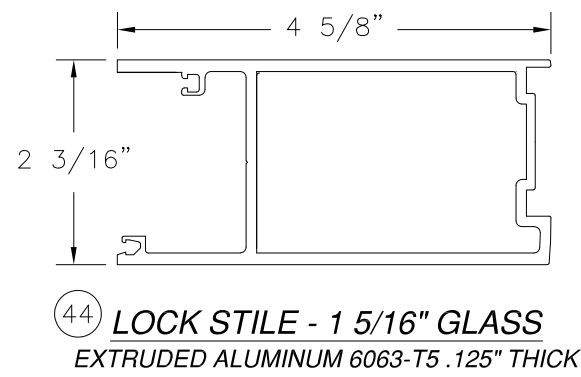
REVISIONS			
REV	DESCRIPTION	DATE	APPROVED
A	REVISED INSTALLATION DETAILS	04/27/15	R.L.
B	REVISED GLAZING DETAILS	10/04/17	R.L.



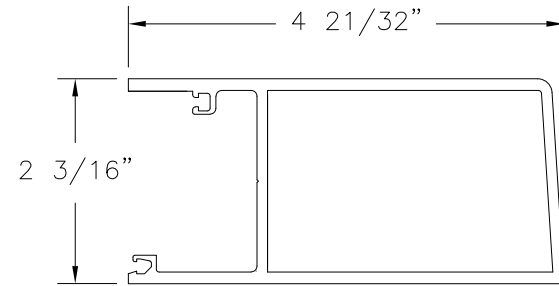
18 **BOTTOM RAIL - 9/16" GLASS**  
EXTRUDED ALUMINUM 6063-T5 .125" THICK



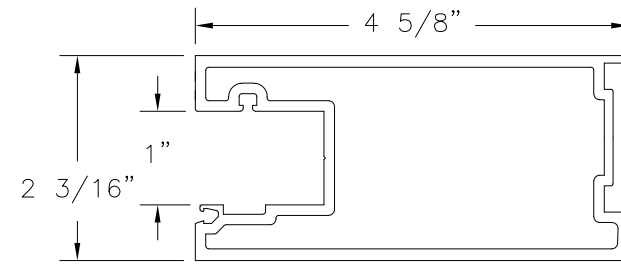
14 **TOP RAIL - 9/16" GLASS**  
EXTRUDED ALUMINUM 6063-T5 .125" THICK



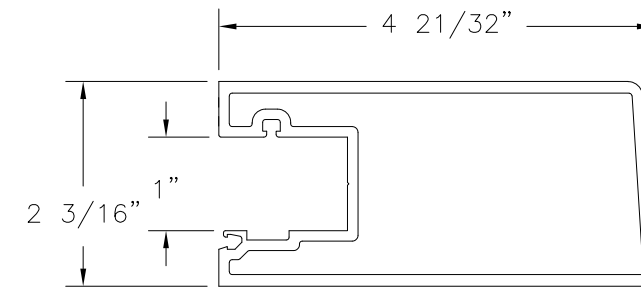
44 **LOCK STILE - 1 5/16" GLASS**  
EXTRUDED ALUMINUM 6063-T5 .125" THICK



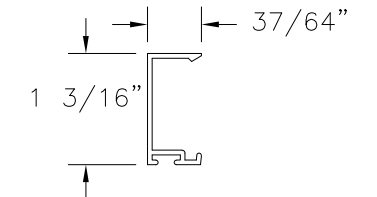
36 **PLAIN STILE - 1 5/16" GLASS**  
EXTRUDED ALUMINUM 6063-T5 .125" THICK



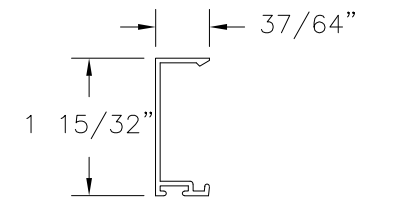
43 **LOCK STILE - 9/16" GLASS**  
EXTRUDED ALUMINUM 6063-T5 .125" THICK



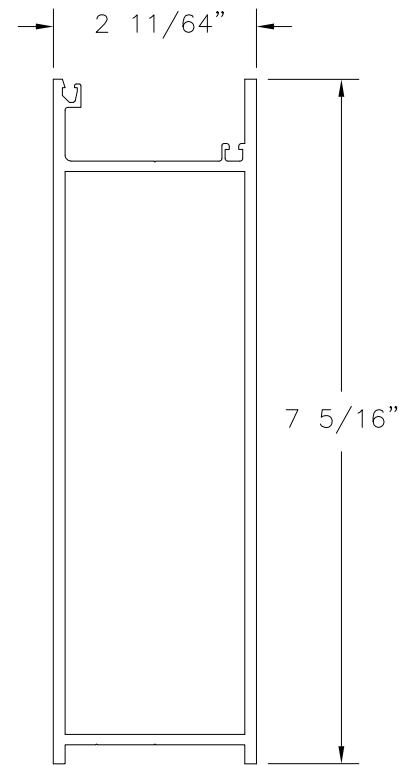
35 **PLAIN STILE - 9/16" GLASS**  
EXTRUDED ALUMINUM 6063-T5 .125" THICK



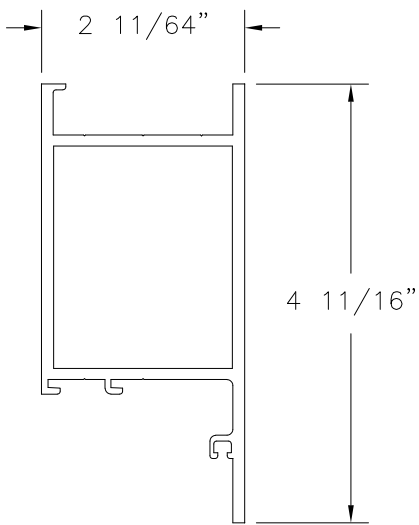
37 **DOOR STOP - 9/16" GLASS**  
EXTRUDED ALUMINUM 6063-T5 .050" THICK



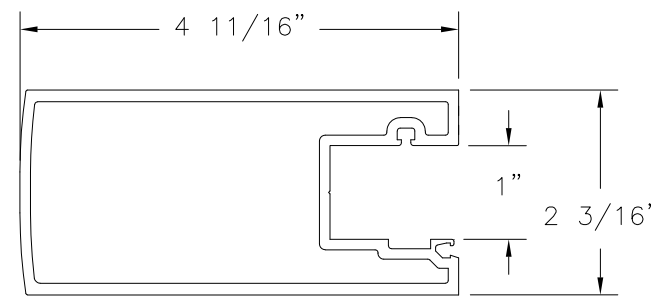
38 **DOOR STOP - 1 5/16" GLASS**  
EXTRUDED ALUMINUM 6063-T5 .050" THICK



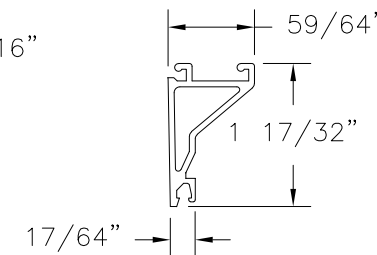
19 **BOTTOM RAIL - 1 5/16" GLASS**  
EXTRUDED ALUMINUM 6063-T5 .125" THICK



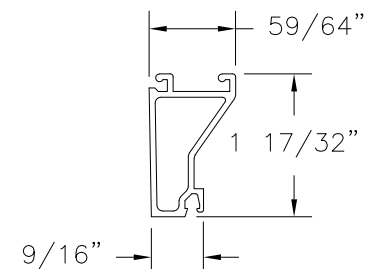
15 **TOP RAIL - 1 5/16" GLASS**  
EXTRUDED ALUMINUM 6063-T5 .125" THICK



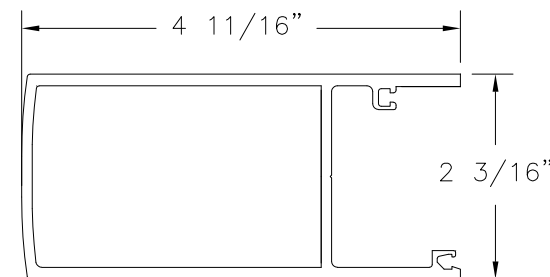
41 **LOCK STILE - 9/16" GLASS**  
EXTRUDED ALUMINUM 6063-T5 .125" THICK



17 **DOOR GLASS STOP - 1 5/16" GLASS**  
EXTRUDED ALUMINUM 6063-T5 .062" THICK



16 **DOOR GLASS STOP - 9/16" GLASS**  
EXTRUDED ALUMINUM 6063-T5 .062" THICK



42 **LOCK STILE - 1 5/16" GLASS**  
EXTRUDED ALUMINUM 6063-T5 .125" THICK

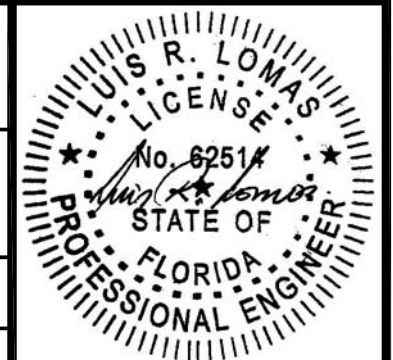
SIGNED: 10/23/2017

**US ALUMINUM**  
DIVISION OF C.R. LAURENCE CO., INC.  
780 CELRIVER RD, ROCK HILL, SC 29730

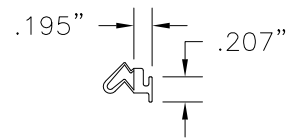
SERIES IG500/IG600 STORM FRONT OS ALUMINUM  
STOREFRONT DOOR SYSTEM - LMI  
COMPONENTS

DRAWN: AP	DWG NO. 08-01575	REV B
SCALE NTS	DATE 06/12/12	SHEET 13 OF 15

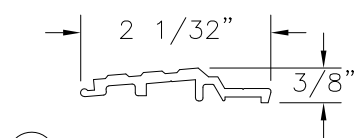
L. ROBERTO LOMAS P.E.  
1432 WOODFORD RD LEWISVILLE, NC 27023  
434-688-0609 rllomas@rlomaspe.com



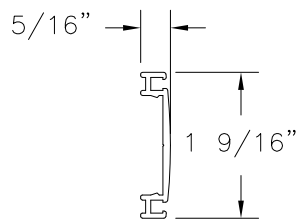
Luis R. Lomas P.E.  
FL No.: 62514



20 **DOOR WEATHER STRIP**  
VINYL

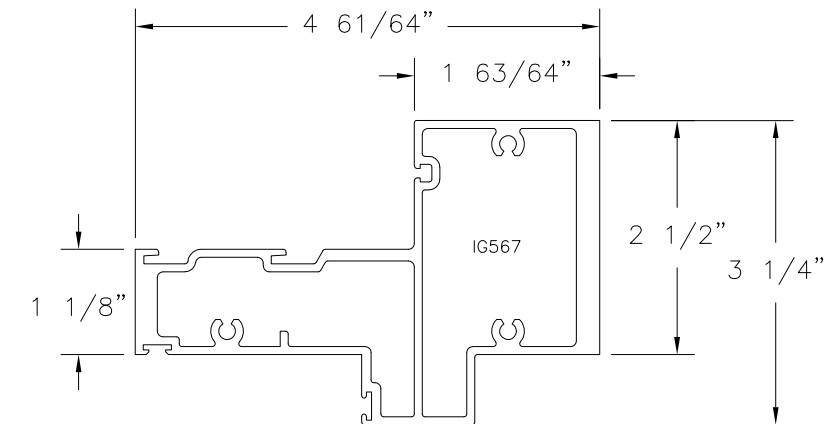


33 **SILL INSERT**  
EXTRUDED ALUMINUM  
6063-T5 .090" THICK

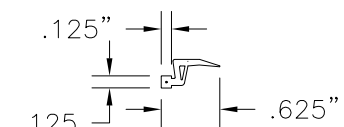


60 **LOCK STILE CAP**  
EXTRUDED ALUMINUM  
6063-T5 .055" THICK

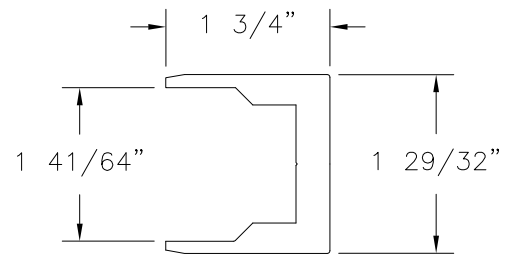
REVISIONS			
REV	DESCRIPTION	DATE	APPROVED
A	REVISED INSTALLATION DETAILS	04/27/15	R.L.
B	REVISED GLAZING DETAILS	10/04/17	R.L.



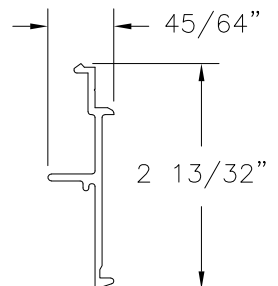
62 **HORIZONTAL MULL - 9/16" GLASS**  
EXTRUDED ALUMINUM 6063-T5 .085" THICK



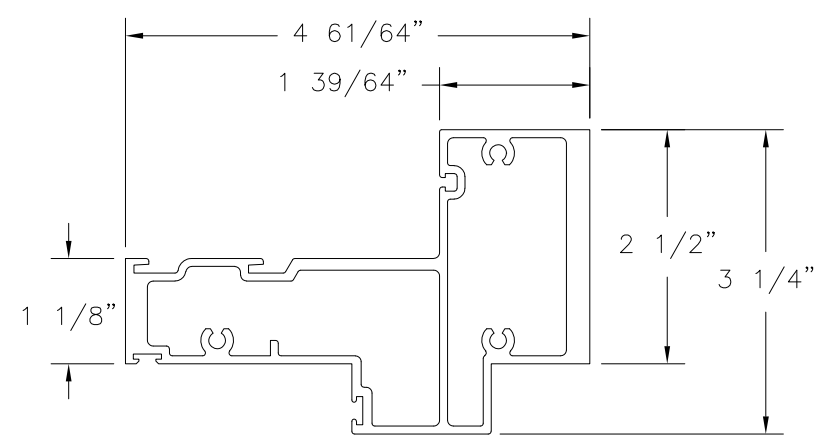
45 **DOOR WEATHER STRIP**  
VINYL



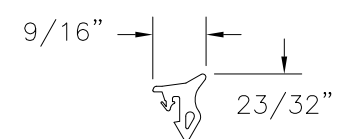
46 **SHEAR CHANNEL**  
EXTRUDED ALUMINUM  
6063-T5 .363" THICK



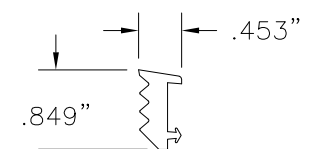
40 **STOP RETAINER - 1 5/16" GLASS**  
EXTRUDED ALUMINUM 6063-T5 .075" THICK



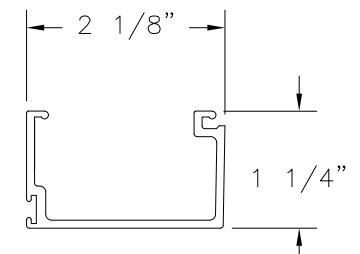
63 **HORIZONTAL MULL - 1 5/16" GLASS**  
EXTRUDED ALUMINUM 6063-T5 .085" THICK



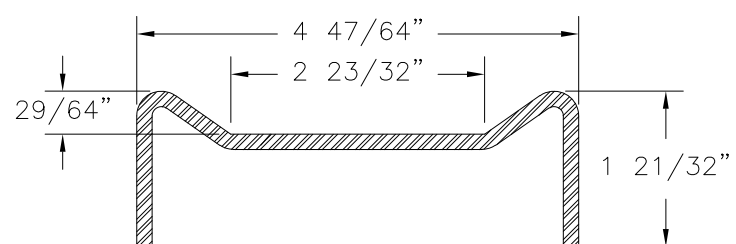
21 **EXTERIOR GASKET**  
EDPM SPONGE



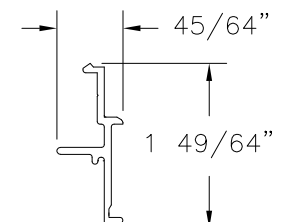
22 **INTERIOR GASKET**  
EDPM SPONGE



61 **DOOR STOP**  
EXTRUDED ALUMINUM 6063-T5 .085" THICK



28 **STEEL STIFFENER HEAVY**  
FORMED 8GA. A36 MILD STEEL



39 **STOP RETAINER - 9/16" GLASS**  
EXTRUDED ALUMINUM 6063-T5 .075" THICK

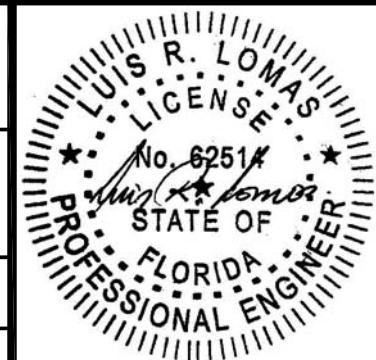
SIGNED: 10/23/2017

**US ALUMINUM**  
DIVISION OF C.R. LAURENCE CO., INC.  
780 CELRIVER RD, ROCK HILL, SC 29730

SERIES IG500/IG600 STORM FRONT OS ALUMINUM  
STOREFRONT DOOR SYSTEM - LMI  
COMPONENTS

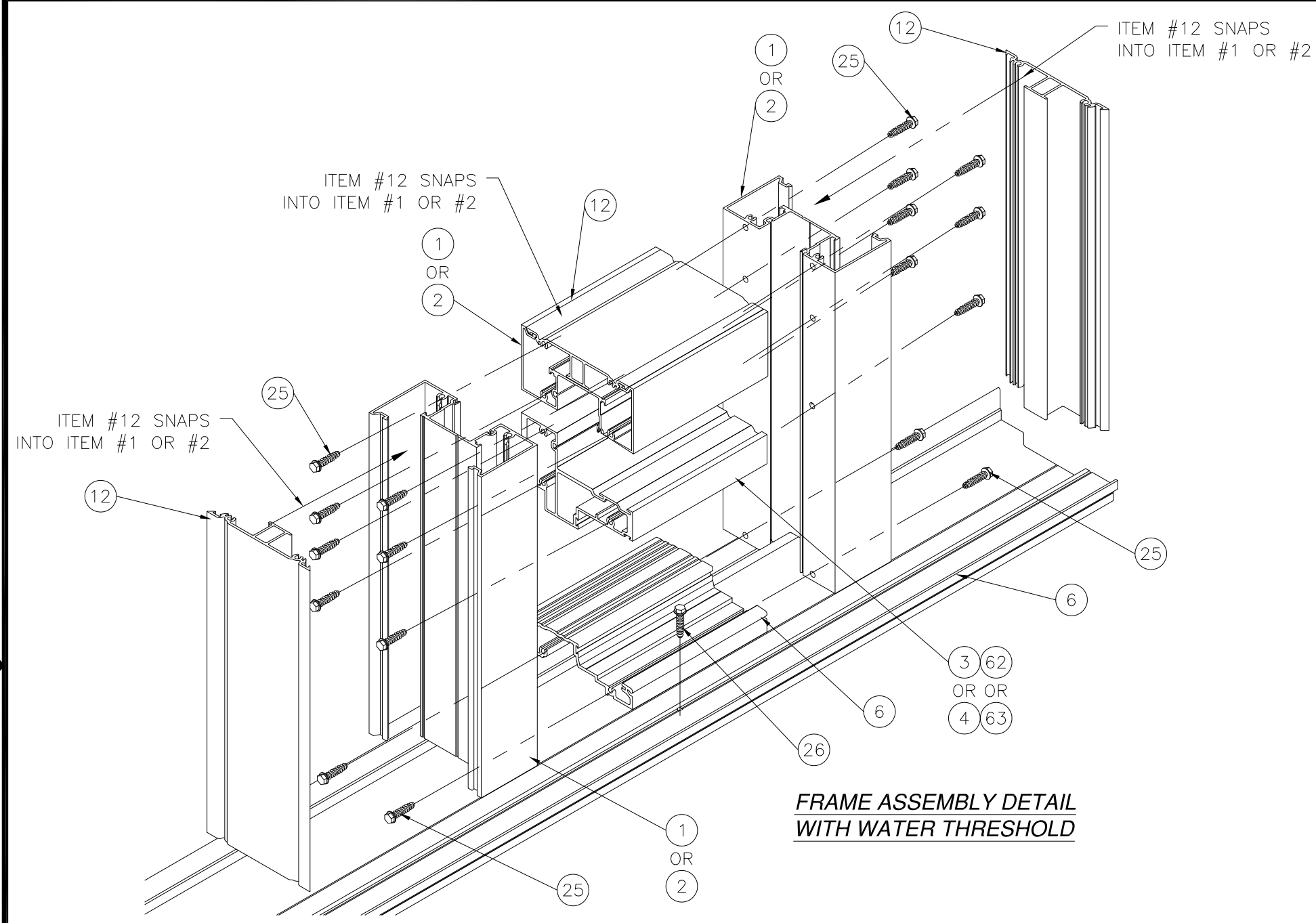
DRAWN: AP	DWG NO. 08-01575	REV B
SCALE NTS	DATE 06/12/12	SHEET 14 OF 15

L. ROBERTO LOMAS P.E.  
1432 WOODFORD RD LEWISVILLE, NC 27023  
434-688-0609 rllomas@rlomaspe.com

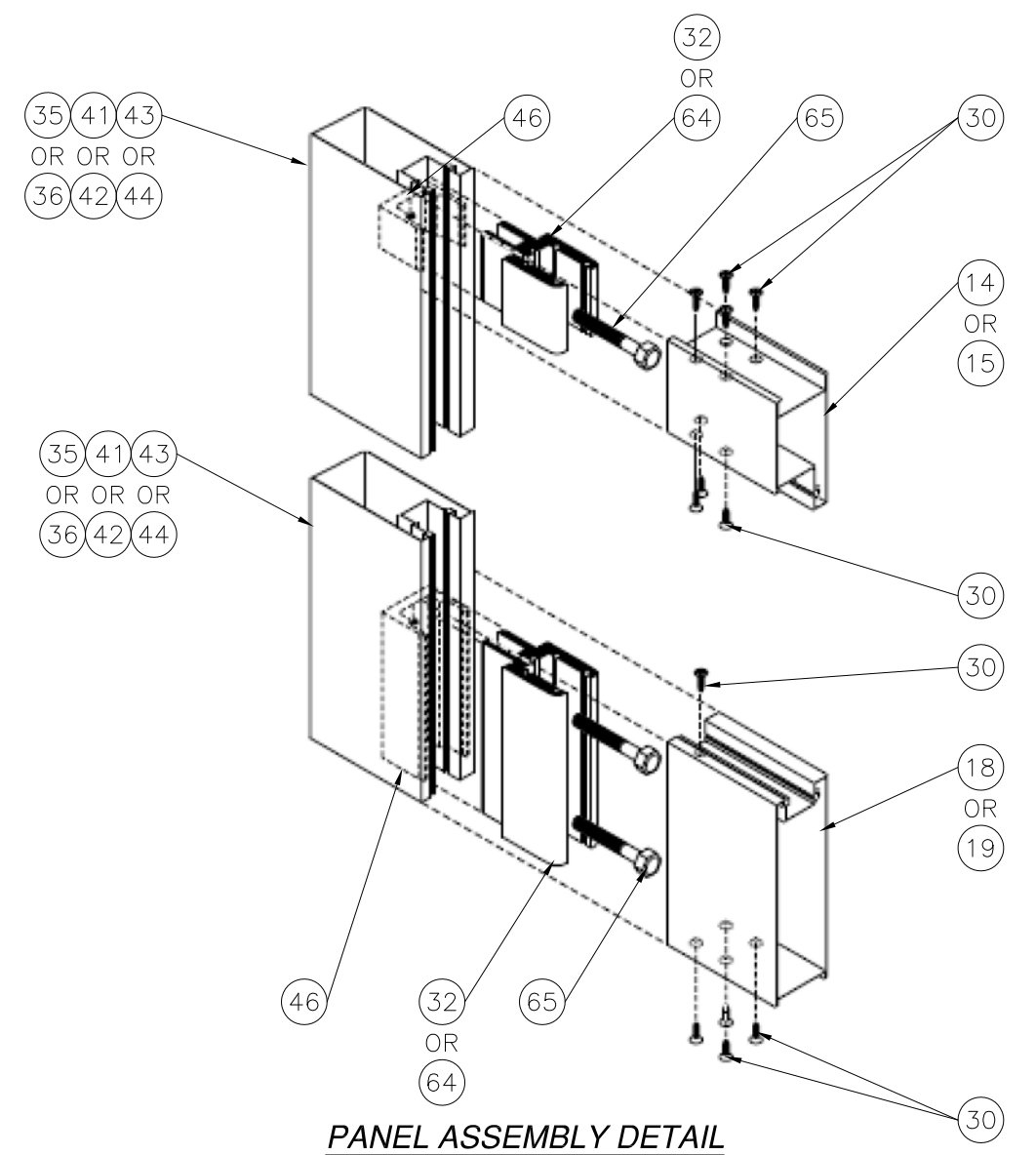


Luis R. Lomas P.E.  
FL No.: 62514

REVISIONS			
REV	DESCRIPTION	DATE	APPROVED
A	REVISED INSTALLATION DETAILS	04/27/15	R.L.
B	REVISED GLAZING DETAILS	10/04/17	R.L.

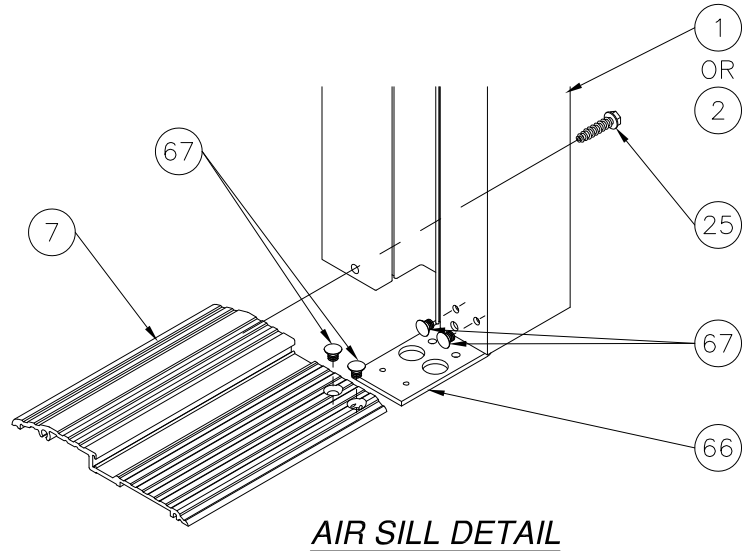


**FRAME ASSEMBLY DETAIL  
WITH WATER THRESHOLD**



**PANEL ASSEMBLY DETAIL**

SIGNED: 10/23/2017



**AIR SILL DETAIL**

**US ALUMINUM**  
DIVISION OF C.R. LAURENCE CO., INC.  
780 CELRIVER RD, ROCK HILL, SC 29730

SERIES IG500/IG600 STORM FRONT OS ALUMINUM  
STOREFRONT DOOR SYSTEM – LMI  
PANEL AND FRAME ASSEMBLY DETAILS

DRAWN: AP	DWG NO. 08-01575	REV B
SCALE NTS	DATE 06/12/12	SHEET 15 OF 15

L. ROBERTO LOMAS P.E.  
1432 WOODFORD RD LEWISVILLE, NC 27023  
434-688-0609 rllomas@rlomaspe.com

Luis R. Lomas P.E.  
FL No.: 62514