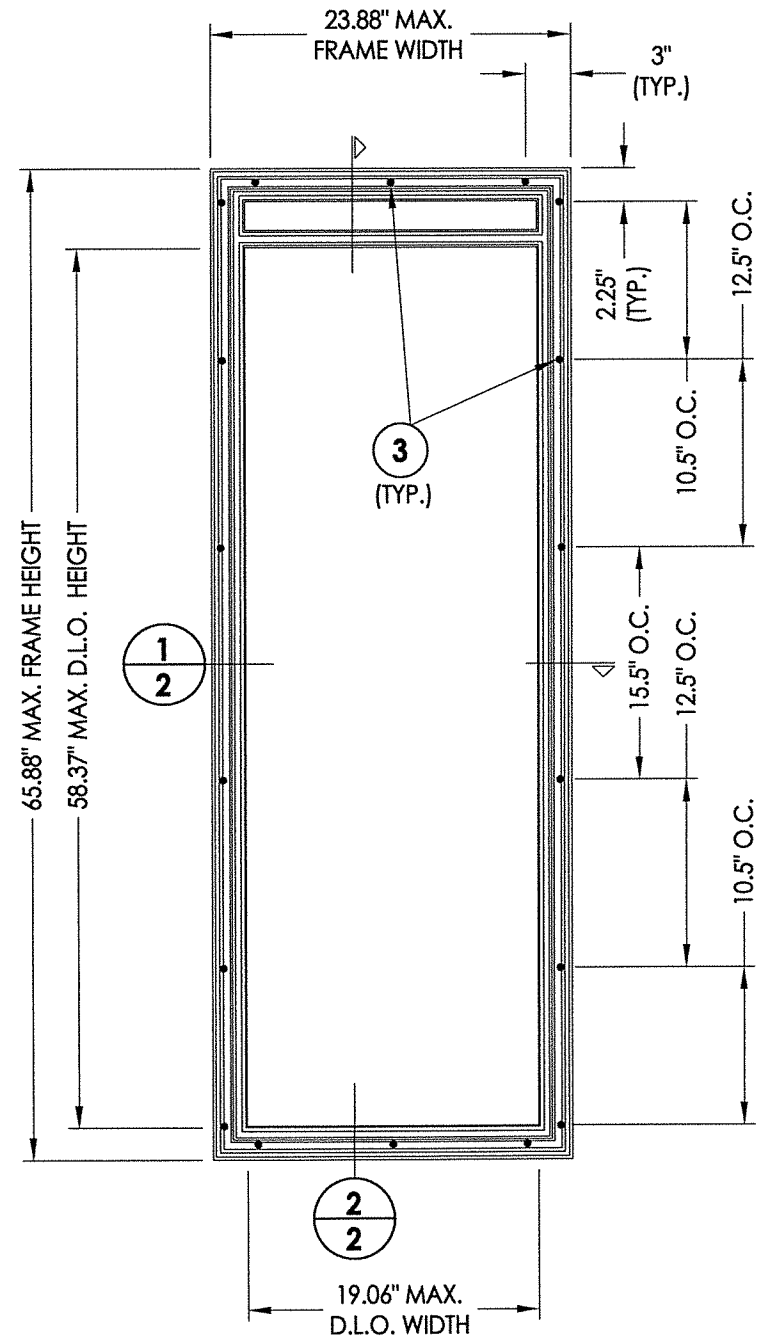
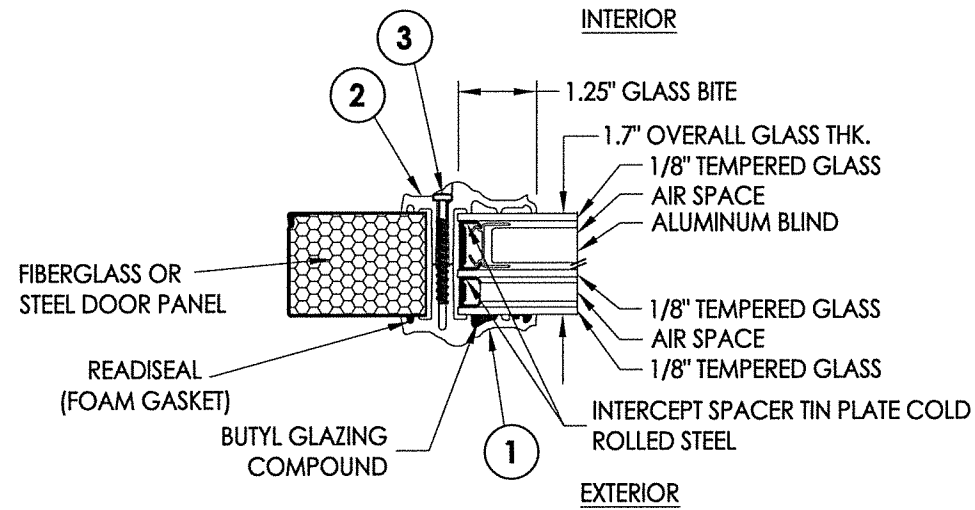
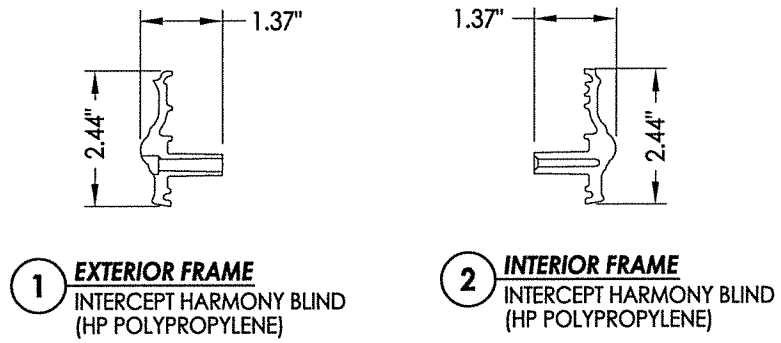


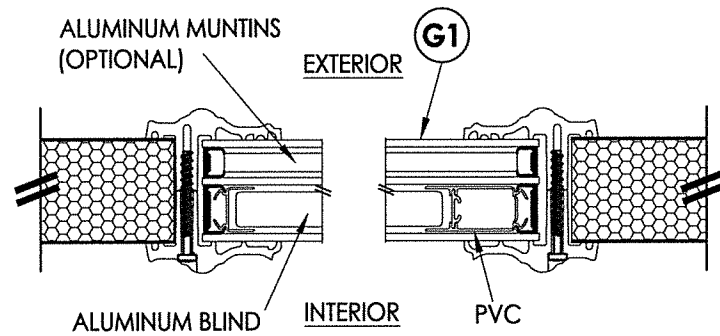
BILL OF MATERIALS		
ITEM #	DESCRIPTION	MATERIAL
1	INTERIOR FRAME (HARMONY BLIND)	HP-PRO
2	EXTERIOR FRAME (HARMONY BLIND)	HP-PRO
3	#8 X 1-1/2" PPH SMS (HI-LO THREAD)	STEEL



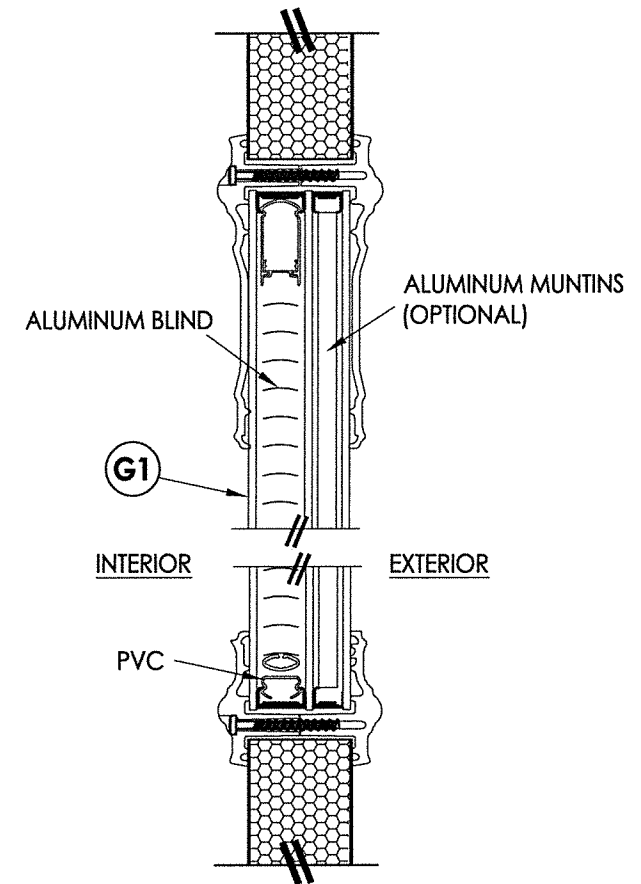
TRIPLE-GLAZED HARMONY BLIND FRAME SYSTEM
HP Polypropylene



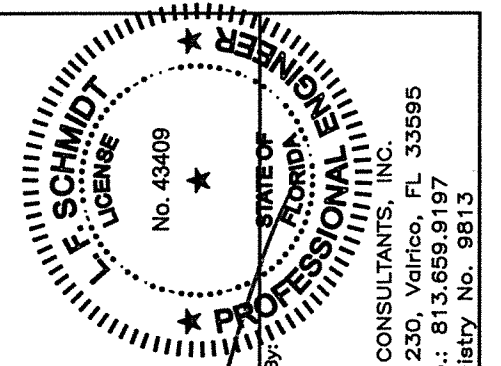
G1 GLAZING DETAIL



1
2
HORIZONTAL CROSS SECTION



2
2
VERTICAL CROSS SECTION



August 07, 2020
Documents Prepared By:
Lyndon F. Schmidt
P.E. No. 43409
R.W.
BUILDING CONSULTANTS, INC.
P.O. Box 230, Valrico, FL 33595
Phone No.: 813.659.9197
FBPE Registry No. 9813

PRODUCT:		TRIPLE-GLAZED HARMONY BLIND LITE FRAME SYSTEM			
PART OR ASSEMBLY:		FRAME & GLAZING DETAILS & BILL OF MATERIALS			
NO.	DATE	BY	REVISIONS		
3	8/05/20	DAC	UPDATE TO 7TH ED. (2020) FBC		
2	9/26/17	JK	UPDATE TO 6TH ED. (2017) FBC		
1	3/28/15	JK	UPDATE TO 5TH ED. (2014) FBC		
DATE					
DATE:	4/15/13				
SCALE:	N.T.S.				
DWG. BY:	JK				
CHK. BY:	LFS				
DRAWING NO.:	FL-15260.9				
SHEET	2 OF 3				

