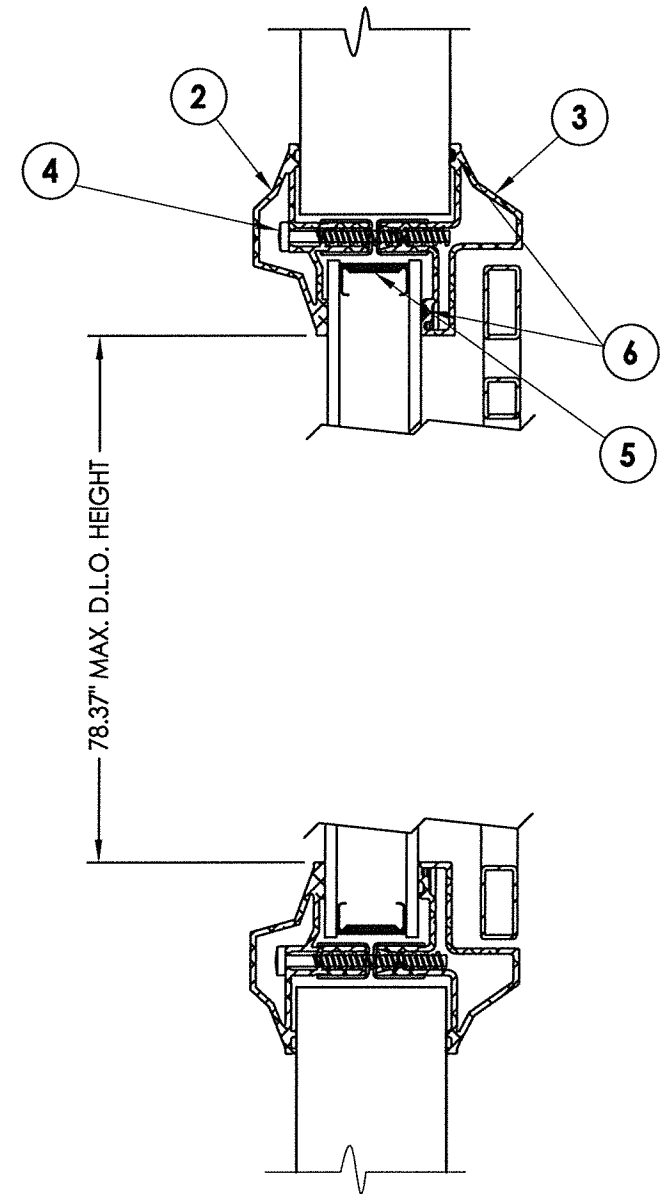
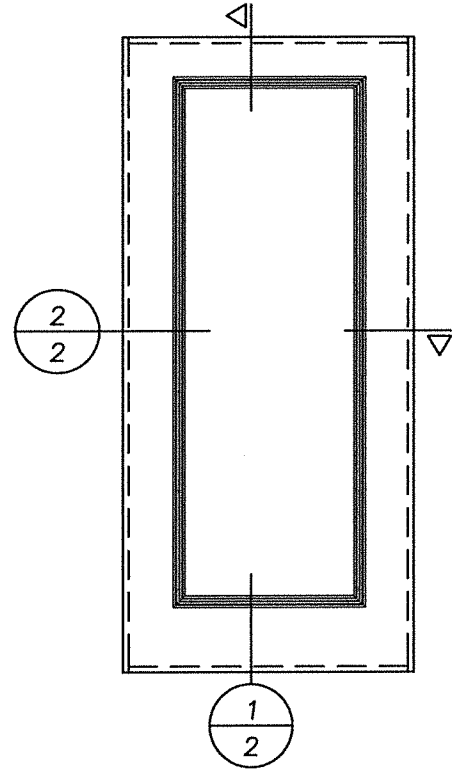


2
2 HORIZONTAL CROSS SECTION



1
2 VERTICAL CROSS SECTION

DATE: 2/29/12	
SCALE: N.T.S.	
DWG. BY: JK	
CHK. BY: LFS	
DRAWING NO.: FL-15260.7	
SHEET 2 OF 3	
PRODUCT: OD LITE FRAME PART OR ASSEMBLY: HORIZONTAL AND VERTICAL CROSS SECTIONS	
NO.	DATE
3	8/05/20
2	9/26/17
1	3/28/15
REVISIONS	
DAC	(2020) FBC
JK	(2017) FBC
JK	(2014) FBC
BY	

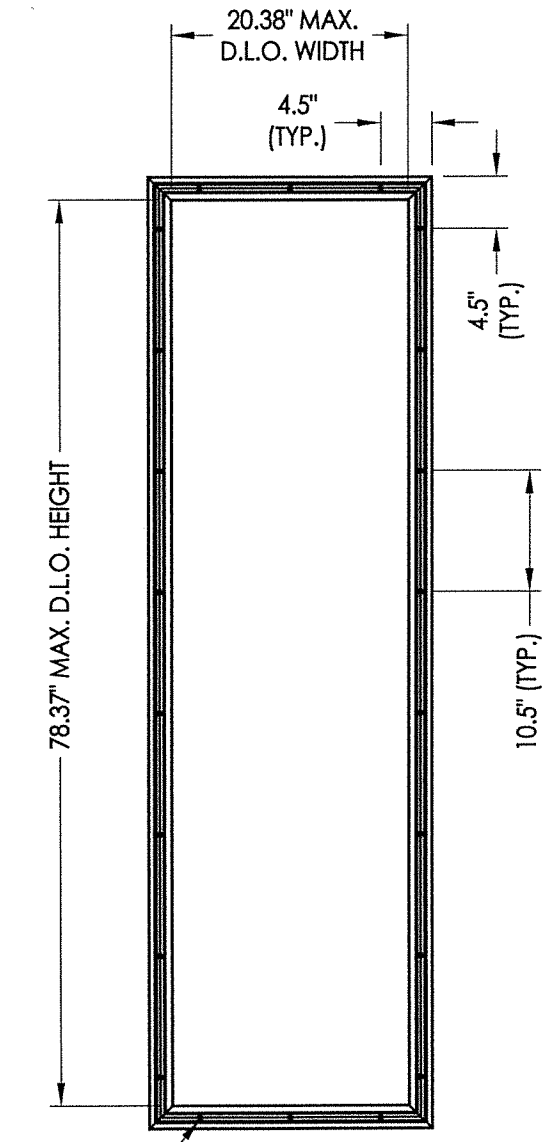
August 07, 2020
 Documents Prepared By:
 Lyndon F. Schmidt
 P.E. No. 43409

R.W. BUILDING CONSULTANTS, INC.
 P.O. Box 230, Valrico, FL 33595
 Phone No.: 813.659.9197
 FBPE Registry No. 9813

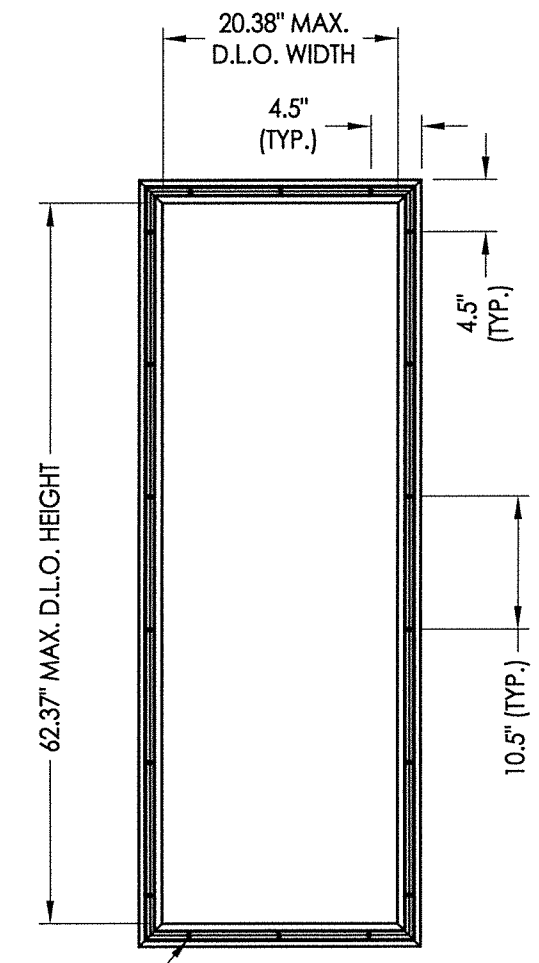
L.F. SCHMIDT
 LICENSE
 No. 43409
 STATE OF FLORIDA
 PROFESSIONAL ENGINEER

\\dc01\vwbc\Clients\ODL, Inc. PERMANENT\A - Florida Product Approvals\FL-15260 Exterior Door Components - Lite Frame Inserts\C - Drawings\FL 15260 (2020) R9\FL-15260.6-7.dwg

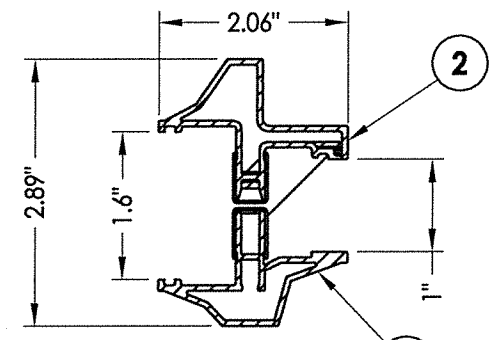
BILL OF MATERIALS		
ITEM #	DESCRIPTION	MATERIAL
1A	ODL LITE FRAME	ALUMINUM
1B	ODL LITE FRAME	ALUMINUM
2	INT. FRAME	ALUMINUM
3	EXT. FRAME	ALUMINUM
4	#8 X 1-1/2" PPH SMS	STEEL
5	INTERCEPT GLASS SPACER	STEEL
6	NON-STRUCTURAL BACKBEDDING SEALANT (HOMERUN)	HOT-MELT



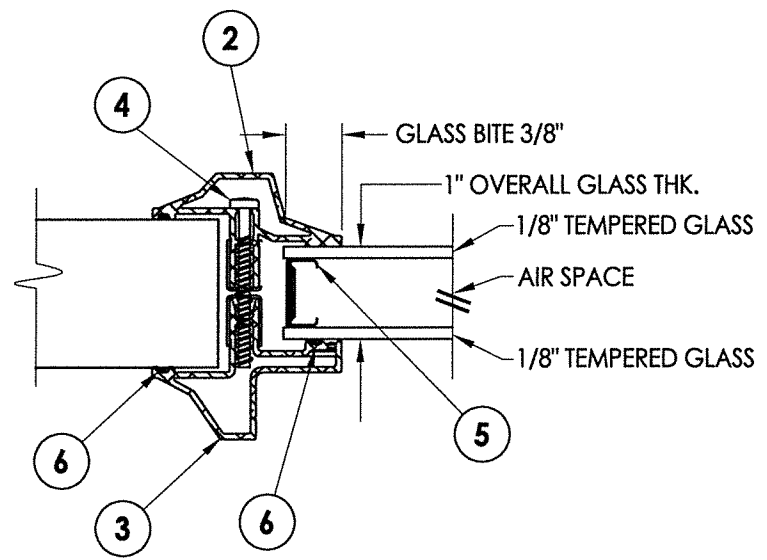
1A ODL LITE FRAME
Install in 8'-0" door panel



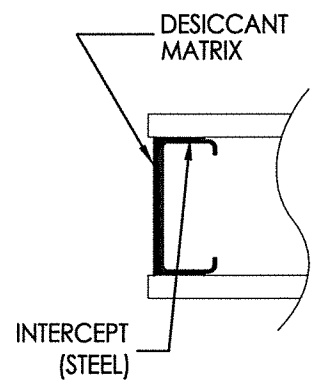
1B ODL LITE FRAME
Install in door panels up to 6'-8" max.



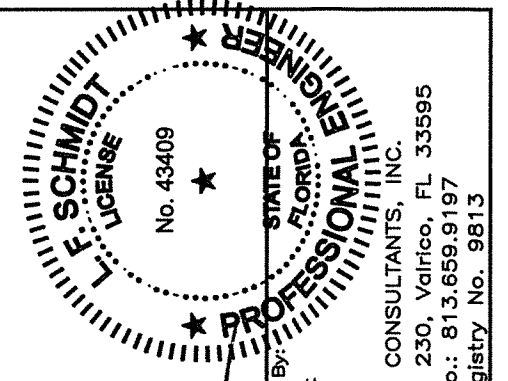
ODL LITE FRAME
ALUMINUM



G1 GLAZING DETAIL



SPACER DETAIL



August 07, 2020
 Documents Prepared By:
 Lyndon F. Schmidt
 P.E. No. 43409
 R.W. BUILDING CONSULTANTS, INC.
 P.O. Box 230, Valrico, FL 33595
 Phone No.: 813.659.9197
 FBPE Registry No. 9813

PRODUCT: ODL LITE FRAME	
PART OR ASSEMBLY: ANCHORING LOCATIONS & BILL OF MATERIALS	
NO.	DATE
3	8/05/20
2	9/26/17
1	3/28/15
REVISIONS	
DATE:	2/29/12
SCALE:	N.T.S.
DWG. BY:	JK
CHK. BY:	LFS
DRAWING NO.:	FL-15260.7
SHEET	3 OF 3