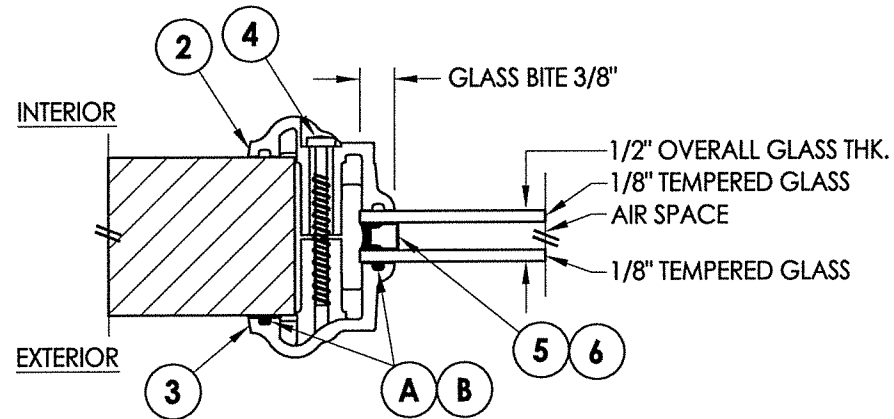
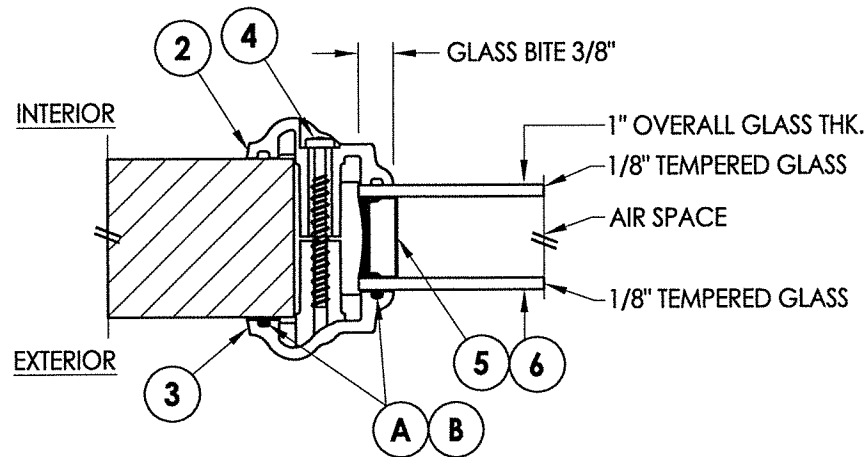


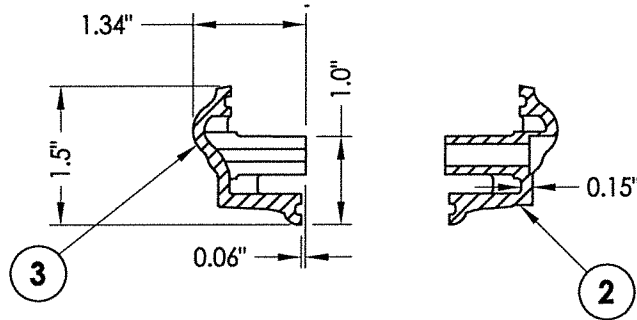
G1 GLAZING DETAIL



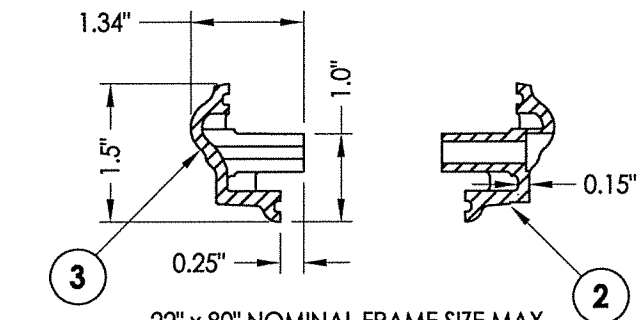
G2 GLAZING DETAIL



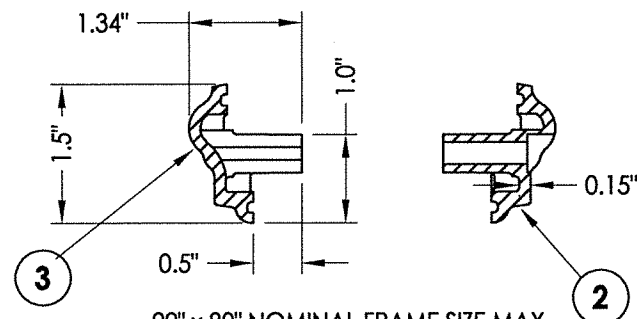
G3 GLAZING DETAIL



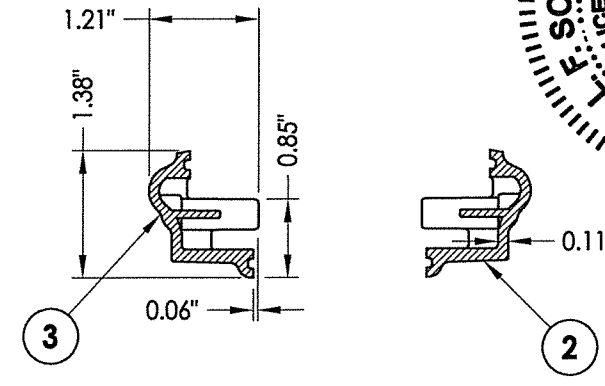
**22" x 80" NOMINAL FRAME SIZE MAX.
(IN 8'-0" DOOR PANEL)**



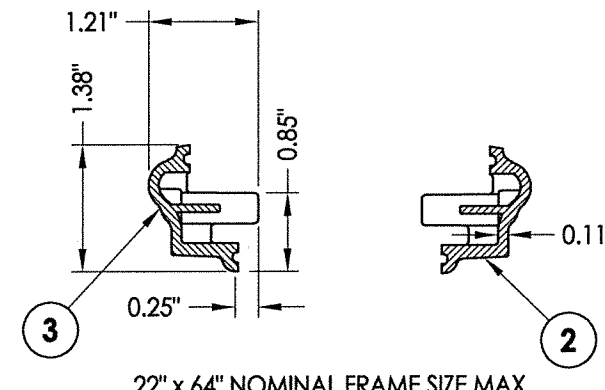
**22" x 80" NOMINAL FRAME SIZE MAX.
(IN 8'-0" DOOR PANEL)**



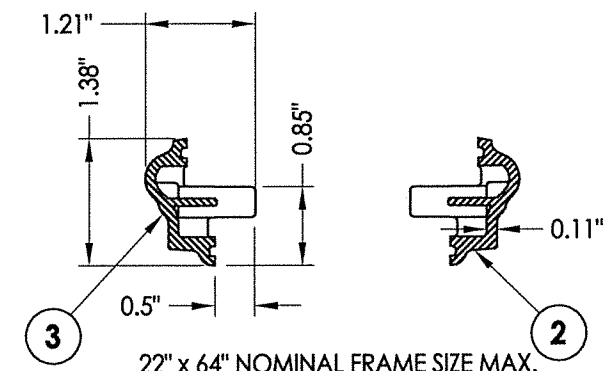
**22" x 80" NOMINAL FRAME SIZE MAX.
(IN 8'-0" DOOR PANEL)**



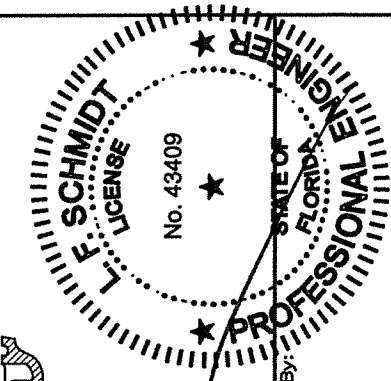
**22" x 64" NOMINAL FRAME SIZE MAX.
(IN 6'-8" DOOR PANEL)**



**22" x 64" NOMINAL FRAME SIZE MAX.
(IN 6'-8" DOOR PANEL)**



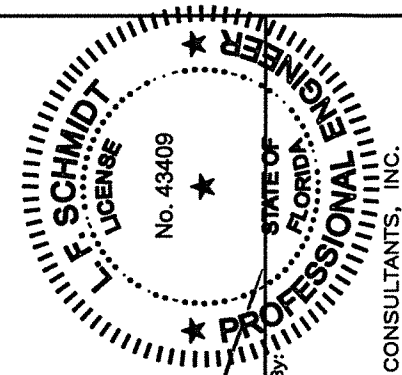
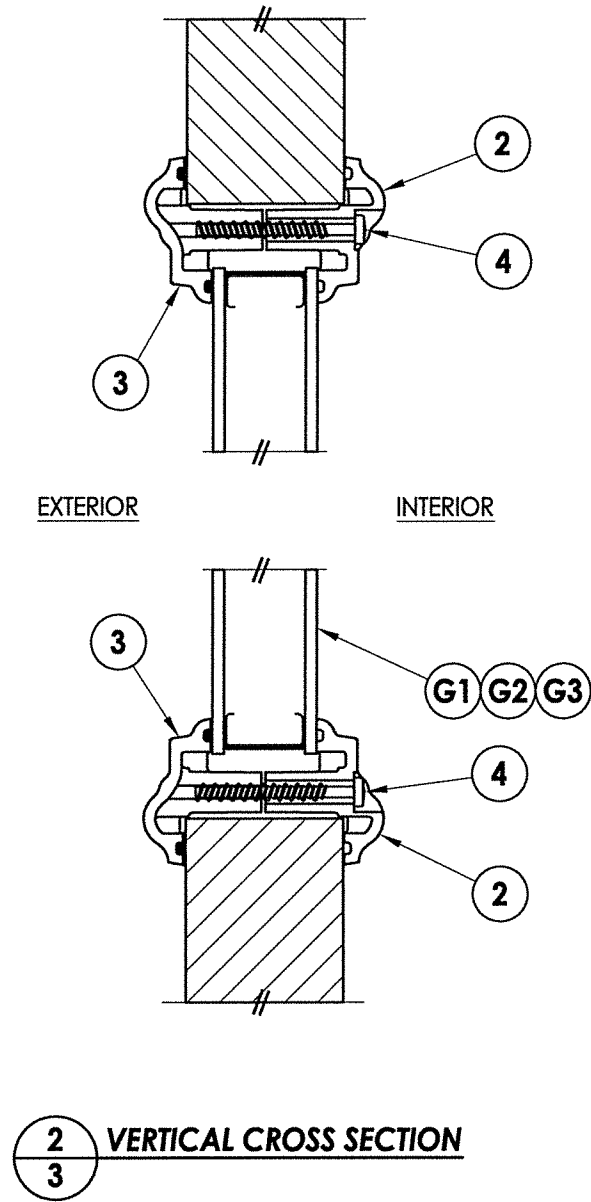
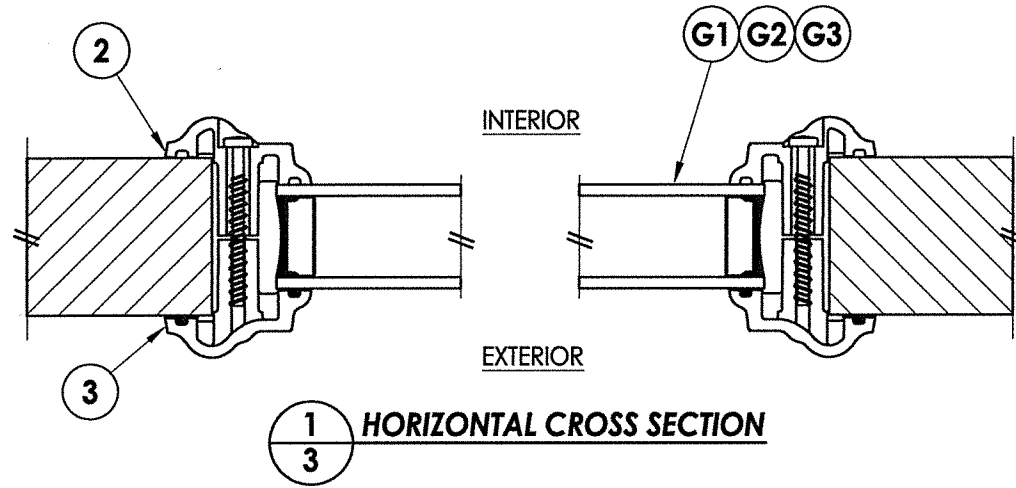
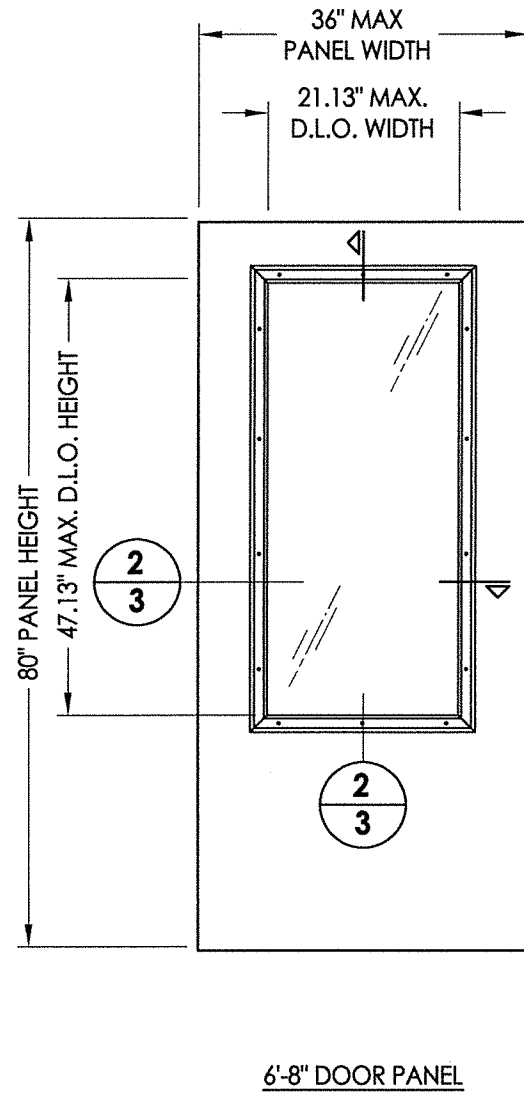
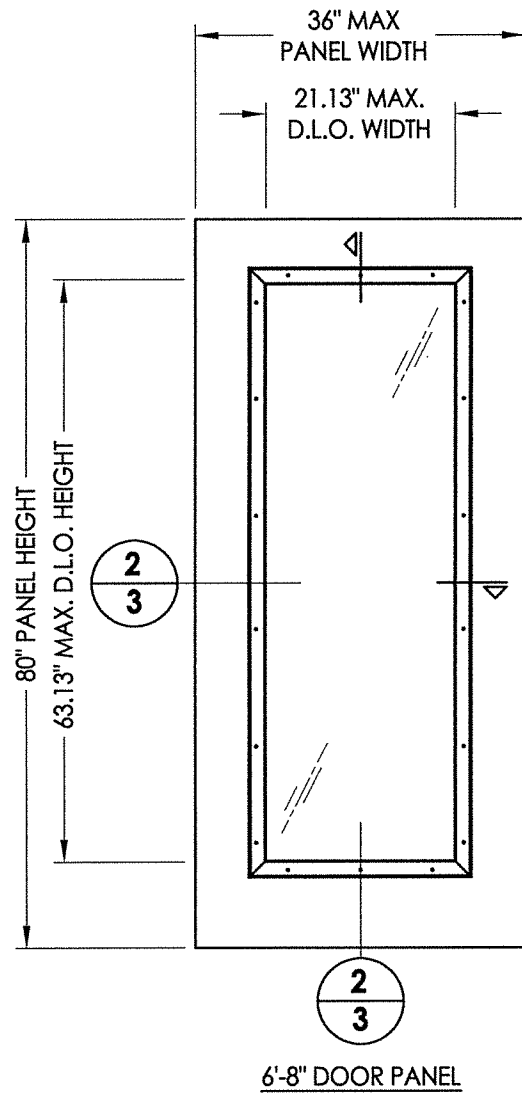
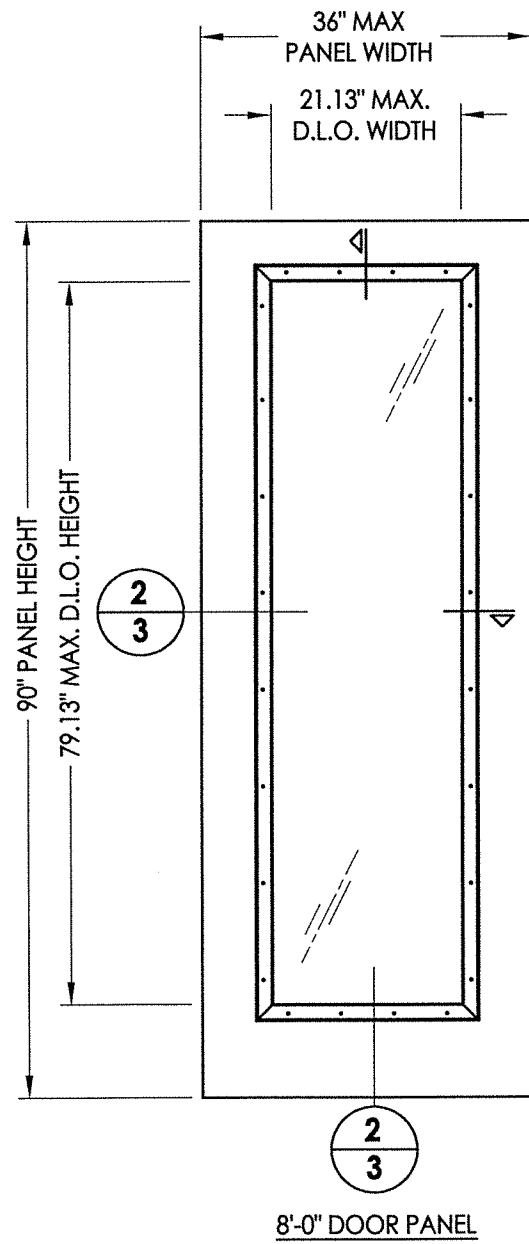
**22" x 64" NOMINAL FRAME SIZE MAX.
(IN 6'-8" DOOR PANEL)**



August 07, 2020
Documents Prepared By:
Lyndon F. Schmidt
P.E. No. 43409

R.W. BUILDING CONSULTANTS, INC.
P.O. Box 230, Valrico, FL 33595
Phone No.: 813.659.9197
FBPE Registry No. 9813

PRODUCT:		ODL LITE FRAME			
PART OR ASSEMBLY:		GLAZING DETAILS AND COMPONENTS			
NO.	DATE	REVISIONS	BY	JK	JK
4	8/05/20	UPDATE TO 7TH ED. (2020)	FBC	DAC	DAC
3	10/02/18	REVISE GLAZING DETAIL	LFS	LFS	LFS
2	9/26/17	UPDATE TO 6TH ED. (2017)	FBC	JK	JK
1	3/28/15	UPDATE TO 5TH ED. (2014)	FBC	JK	JK
DATE: 2/29/12					
SCALE: N.T.S.					
DWG. BY: JK					
CHK. BY: LFS					
DRAWING NO.: FL-15260.3					
SHEET 2 OF 6					



August 07, 2020

Documents Prepared By:
Lyndon F. Schmidt
P.E. No. 43409

RW BUILDING CONSULTANTS, INC.
P.O. Box 230, Vairico, FL 33595
Phone No.: 813.659.9197
FBPE Registry No. 9813

PRODUCT: ODL LITE FRAME
PART OR ASSEMBLY: HORIZONTAL AND VERTICAL CROSS SECTIONS

NO.	DATE	REVISIONS	BY
4	8/05/20	UPDATE TO 7TH ED. (2020) FBC	DAC
3	10/02/18	REVISE GLAZING DETAIL	LFS
2	9/26/17	UPDATE TO 6TH ED. (2017) FBC	JK
1	3/28/15	UPDATE TO 5TH ED. (2014) FBC	JK

DATE: 2/29/12

SCALE: N.T.S.

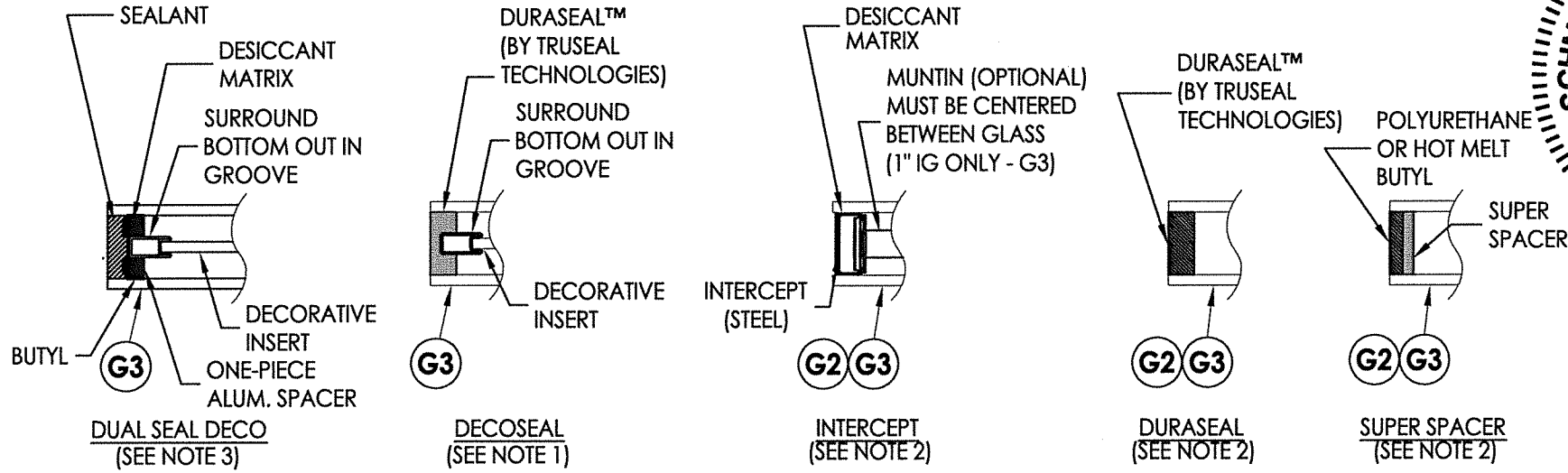
DWG. BY: JK

CHK. BY: LFS

DRAWING NO.:
FL-15260.3

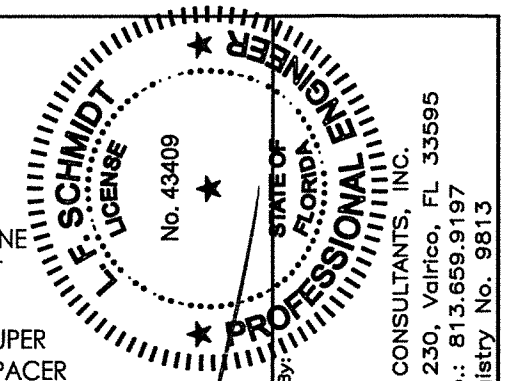
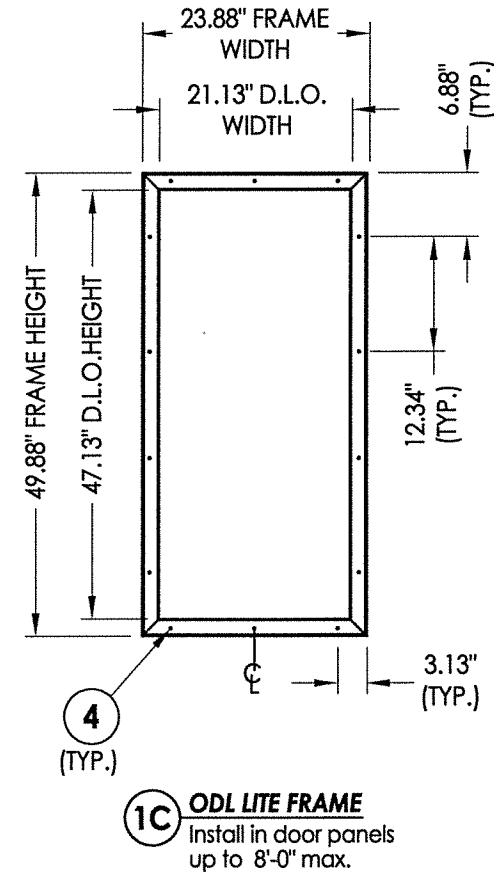
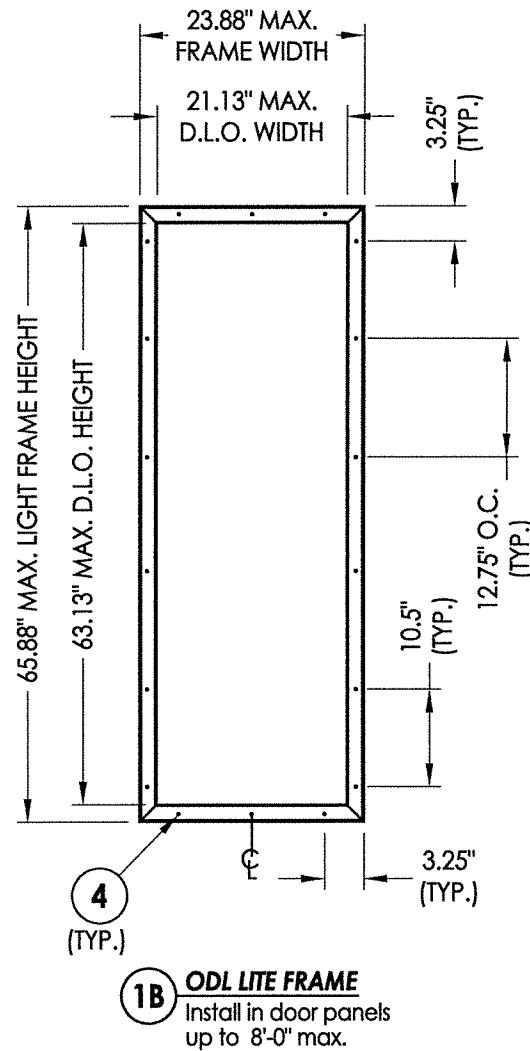
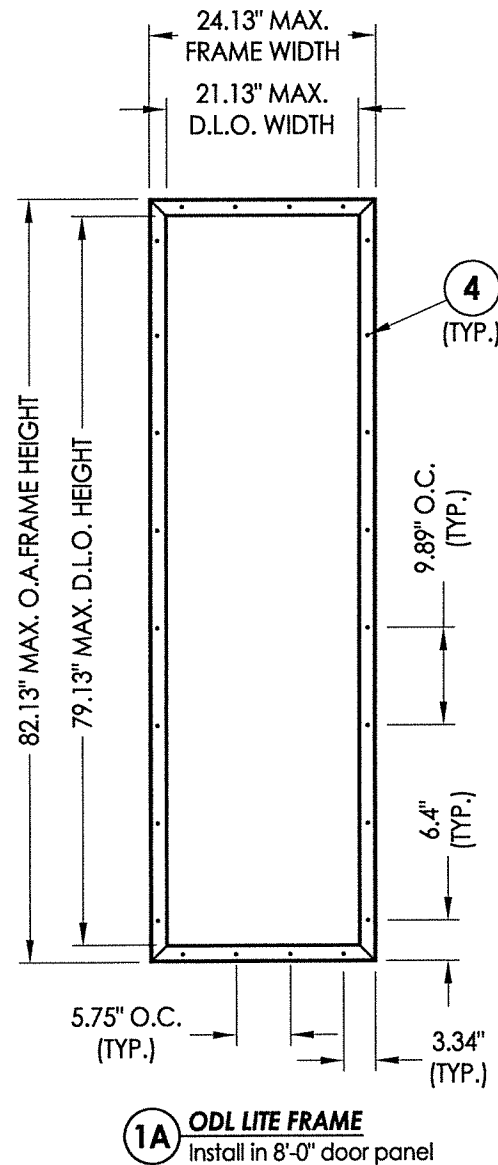
SHEET 3 OF 6

BILL OF MATERIALS		
ITEM #	DESCRIPTION	MATERIAL
1A	ODL LITE FRAME (HP POLYPROPYLENE)	-
1B	ODL LITE FRAME (HP POLYPROPYLENE)	-
1C	ODL LITE FRAME (HP POLYPROPYLENE)	-
2	INT. FRAME (HP POLYPROPYLENE)	-
3	EXT. FRAME (HP POLYPROPYLENE)	-
4	#8 X 1-1/2" PPH SMS	STEEL
5	ALUMINUM GLAZING SPACER	ALUM
6	STEEL INTERCEPT SPACER	STEEL
A	FOAM-IN-PLACE GASKET (RESOLVE)	URETHANE
B	FOAM HOT-MELT (SURESEAL)	HOT-MELT



OPTIONAL GLAZING SPACER DETAILS

- NOTES:
1. DECOSEAL GLAZING OPTION MAY BE INSTALLED IN ODL FRAME (1C) ONLY.
 2. MAY BE INSTALLED IN ODL FRAMES (1A, 1B OR 1C).
 3. DUAL SEAL DECO GLAZING OPTION MAY BE INSTALLED IN ODL FRAMES (1A OR 1B) ONLY.

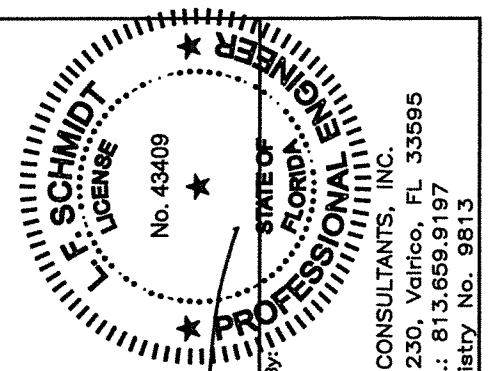
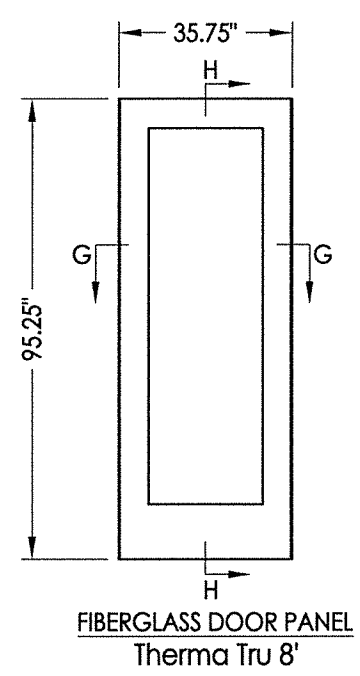
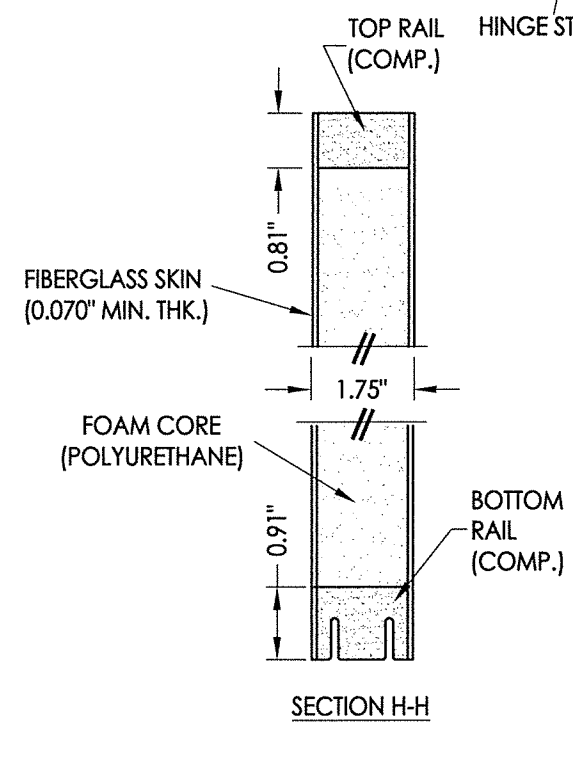
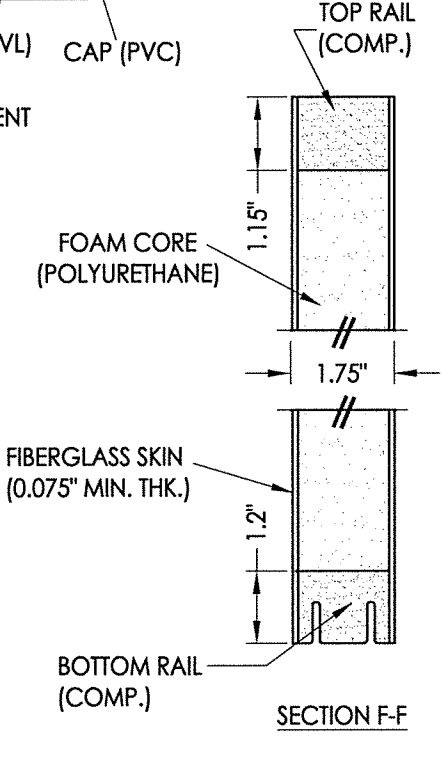
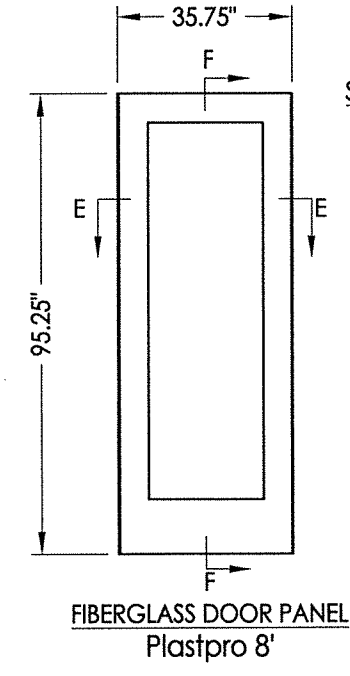
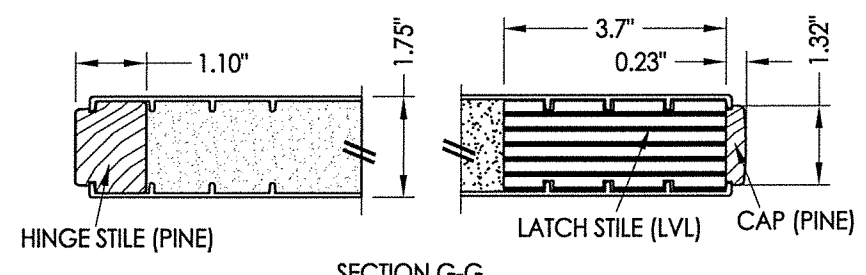
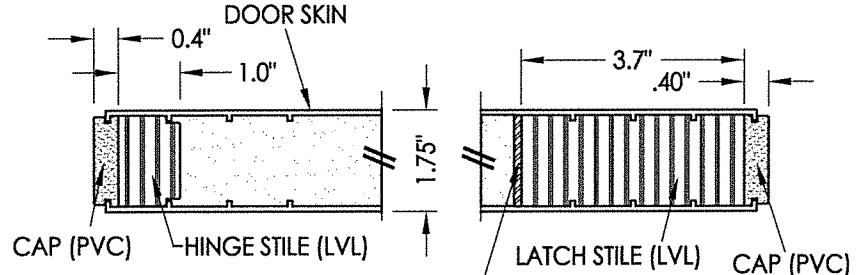
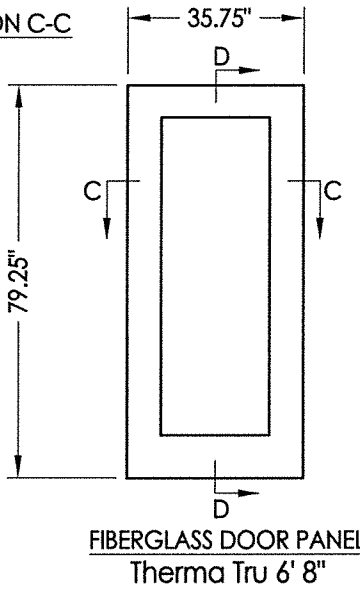
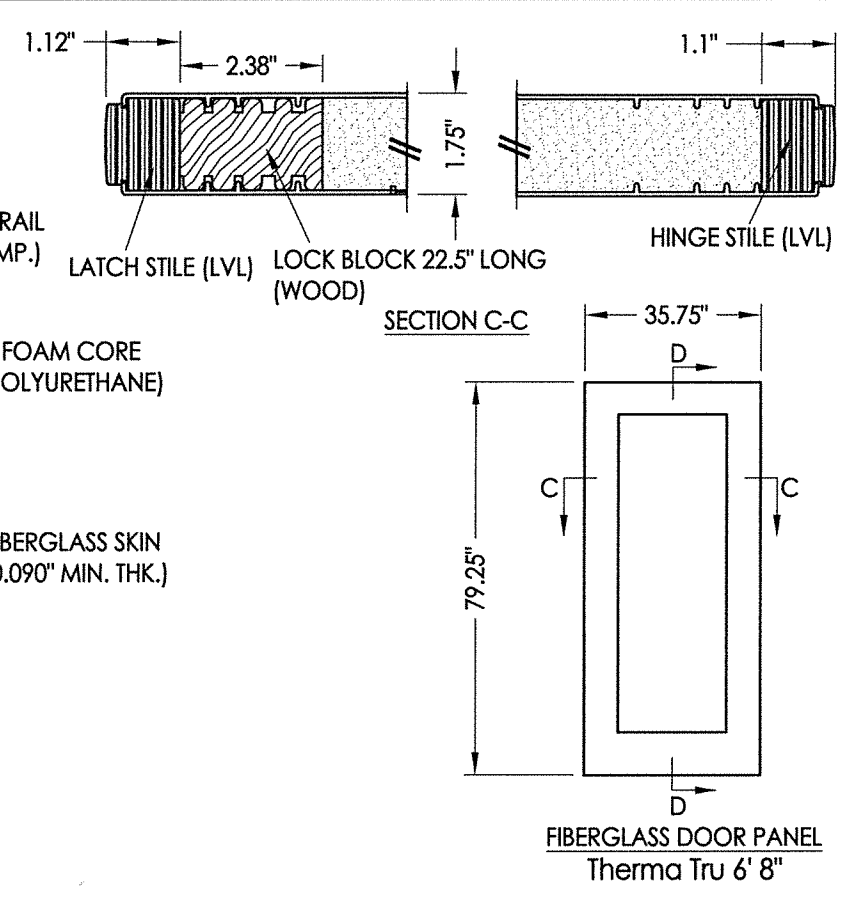
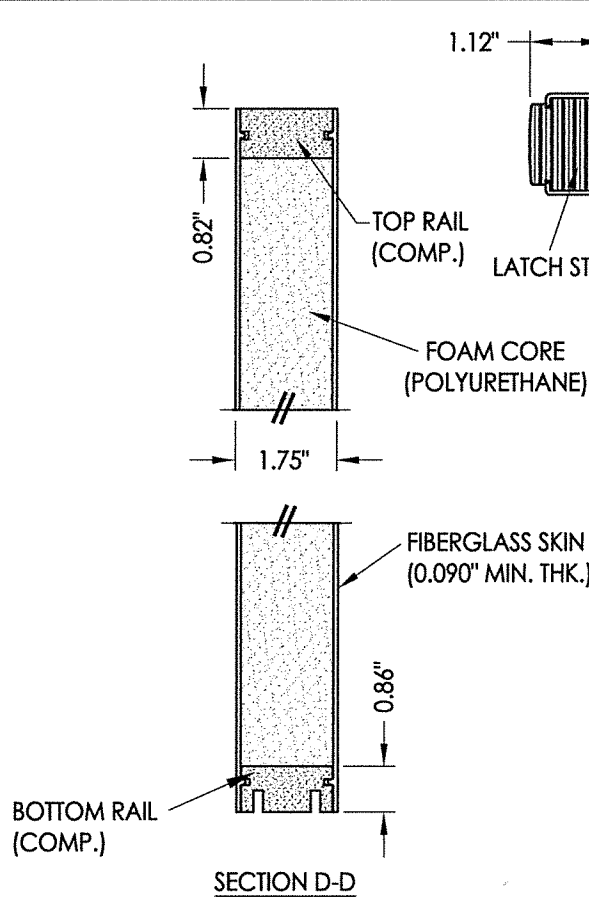
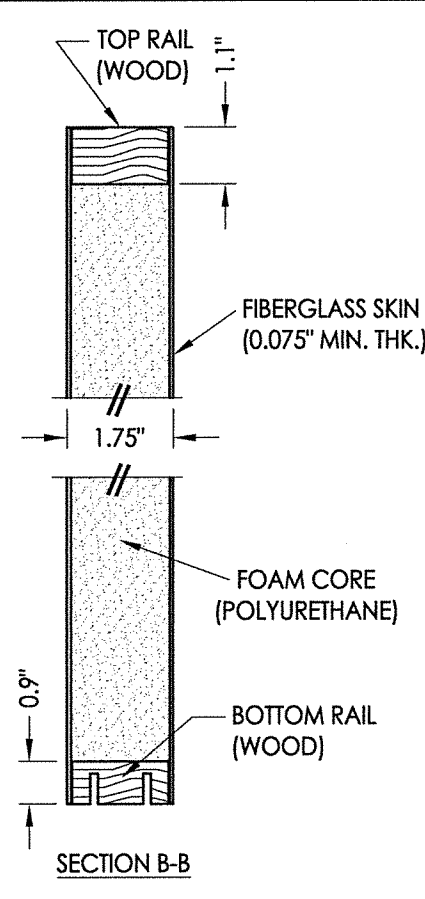
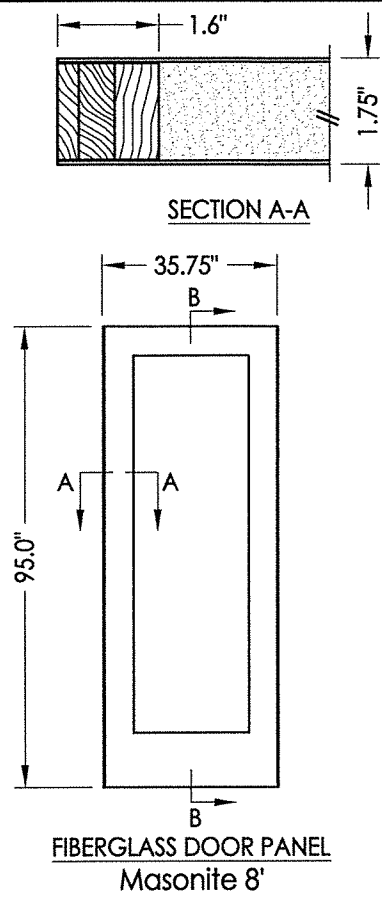


August 07, 2020

Documents Prepared By:
Lyndon F. Schmidt
P.E. No. 43409

R.W. BUILDING CONSULTANTS, INC.
P.O. Box 230, Valrico, FL 33595
Phone No.: 813.659.9197
FBPE Registry No. 9813

PRODUCT:		ODL LITE FRAME	
PART OR ASSEMBLY:		ANCHORING LOCATIONS & BILL OF MATERIALS	
NO.	DATE	BY	REVISIONS
4	8/05/20	DAC	UPDATE TO 7TH ED. (2020)
3	10/02/18	LFS	REVISE GLAZING DETAIL
2	9/26/17	JK	UPDATE TO 6TH ED. (2017)
1	3/28/15	JK	UPDATE TO 5TH ED. (2014)
DATE: 2/29/12			
SCALE: N.T.S.			
DWG. BY: JK			
CHK. BY: LFS			
DRAWING NO.: FL-15260.3			
SHEET 4 OF 6			

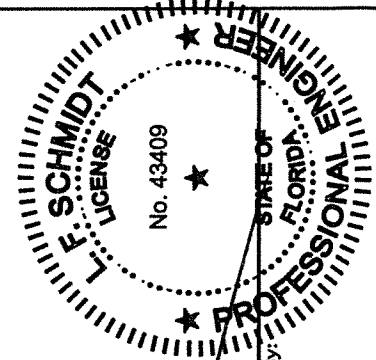


August 07, 2020
Documents Prepared By:
Lyndon F. Schmidt
P.E. No. 43409

RW BUILDING CONSULTANTS, INC.
P.O. Box 230, Valrico, FL 33595
Phone No.: 813.659.9197
FBPE Registry No. 9813

PRODUCT: ODL LITE FRAME		PART OR ASSEMBLY: FIBERGLASS DOOR PANELS	
NO.	DATE	BY	REVISIONS
4	8/05/20	DAC	UPDATE TO 7TH ED. (2020) FBC
3	10/02/18	LFS	REVISE GLAZING DETAIL
2	9/26/17	JK	UPDATE TO 6TH ED. (2017) FBC
1	3/28/15	JK	UPDATE TO 5TH ED. (2014) FBC

DATE: 2/29/12
SCALE: N.T.S.
DWG. BY: JK
CHK. BY: LFS
DRAWING NO.: FL-15260.3
SHEET 5 OF 6



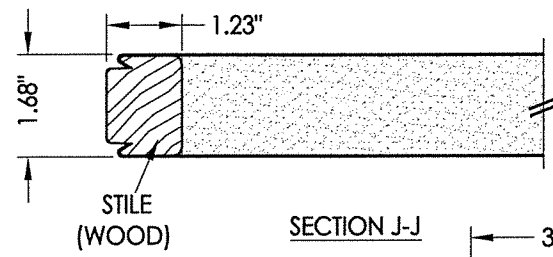
August 07, 2020
 Documents Prepared By:
 Lyndon F. Schmidt
 P.E. No. 43409

R.W. BUILDING CONSULTANTS, INC.
 P.O. Box 230, Valrico, FL 33595
 Phone No.: 813.659.9197
 FBPE Registry No. 9813

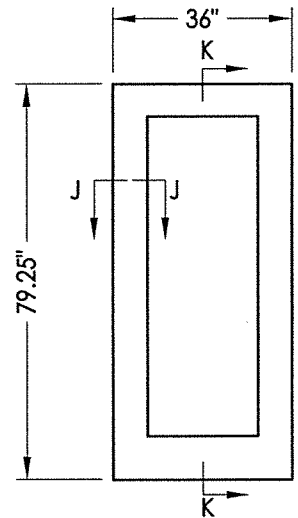
PRODUCT: SMART FRAME
 PART OR ASSEMBLY: STEEL DOOR PANELS

NO.	DATE	BY
4	8/05/20	DAC
3	10/02/18	FBC
2	9/26/17	FBC
1	3/28/15	FBC

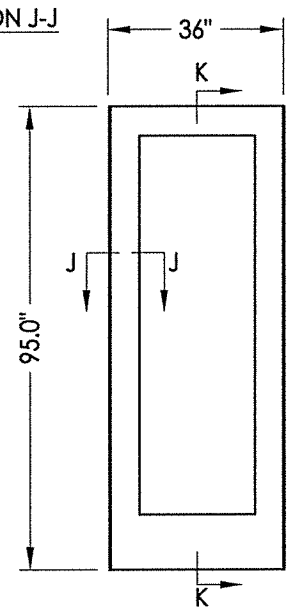
DATE: 2/29/12
 SCALE: N.T.S.
 DWG. BY: JK
 CHK. BY: LFS
 DRAWING NO.: FL-15260.3
 SHEET 6 OF 6



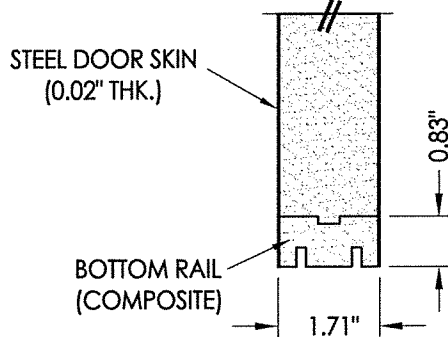
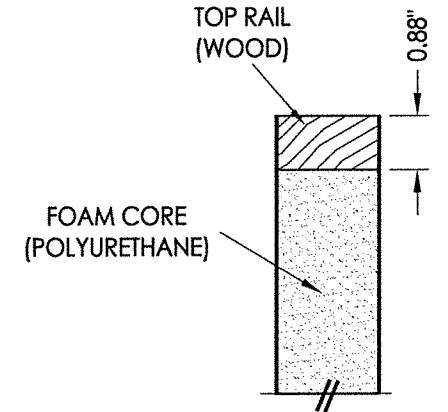
SECTION J-J



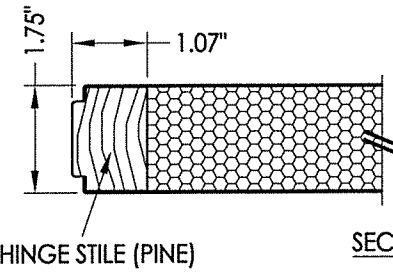
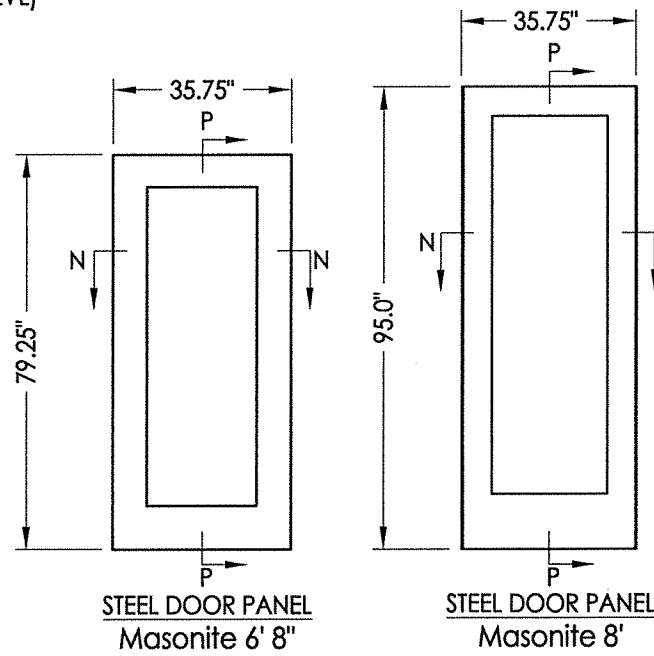
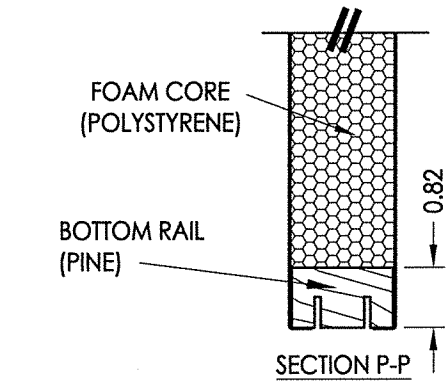
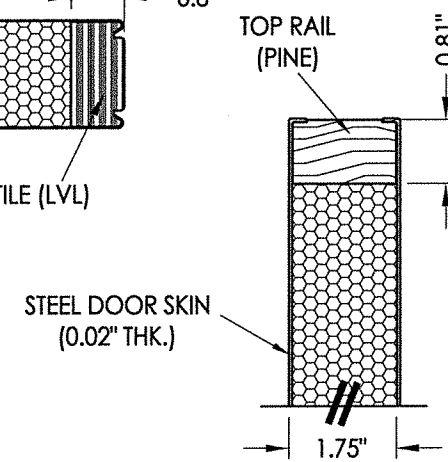
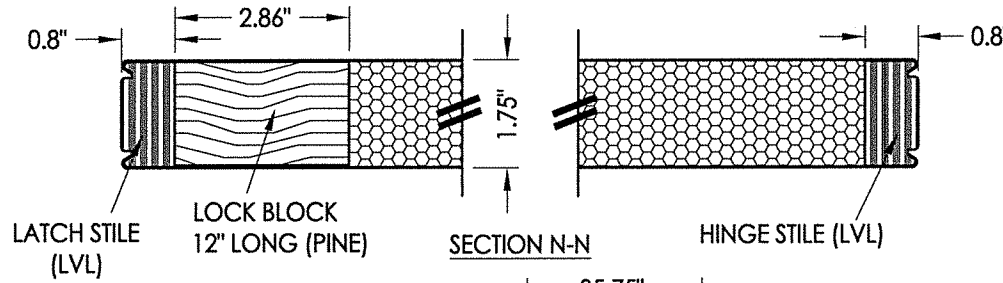
STEEL DOOR PANEL
 Therma-Tru 6'-8"



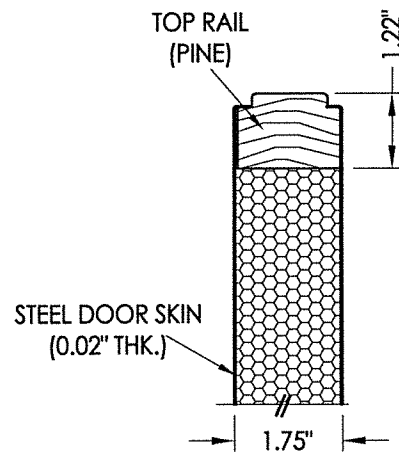
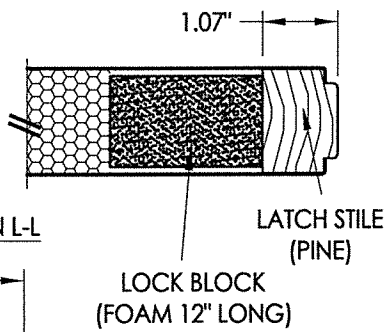
STEEL DOOR PANEL
 Therma-Tru 8'-0"



SECTION K-K



SECTION L-L



SECTION M-M

