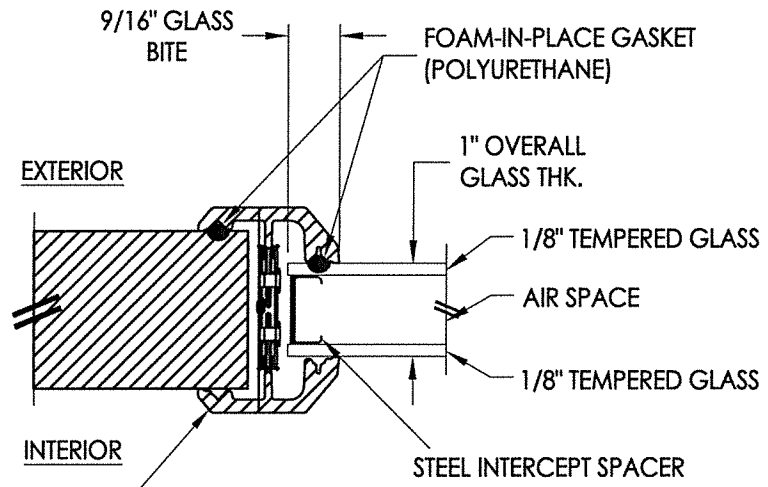
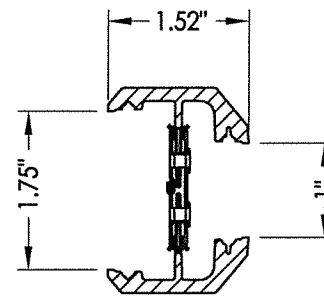


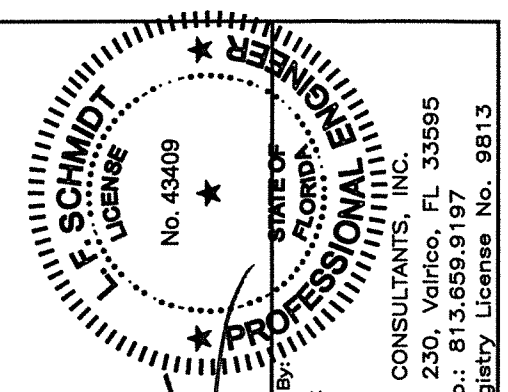
"ZEEL" CLIP ASSEMBLED LITE FRAME SYSTEM
PC/ABS



G1 GLAZING DETAIL



2A ZEEL LITE FRAME
CLIP ASSEMBLED FRAME
PC/ABS

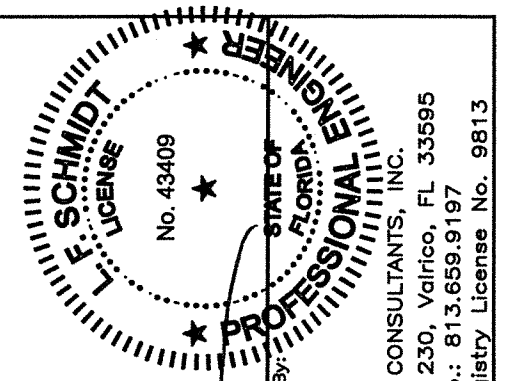
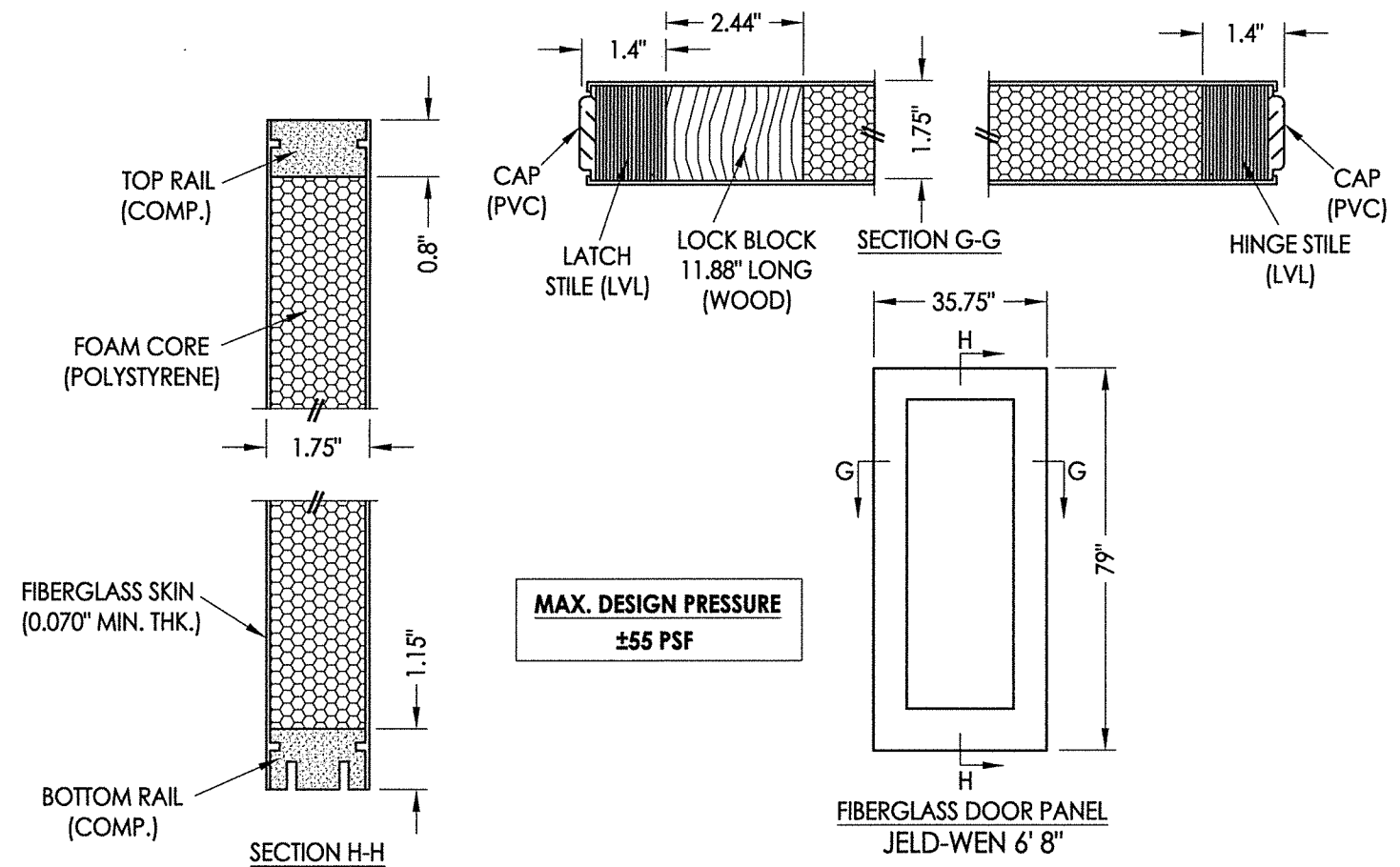
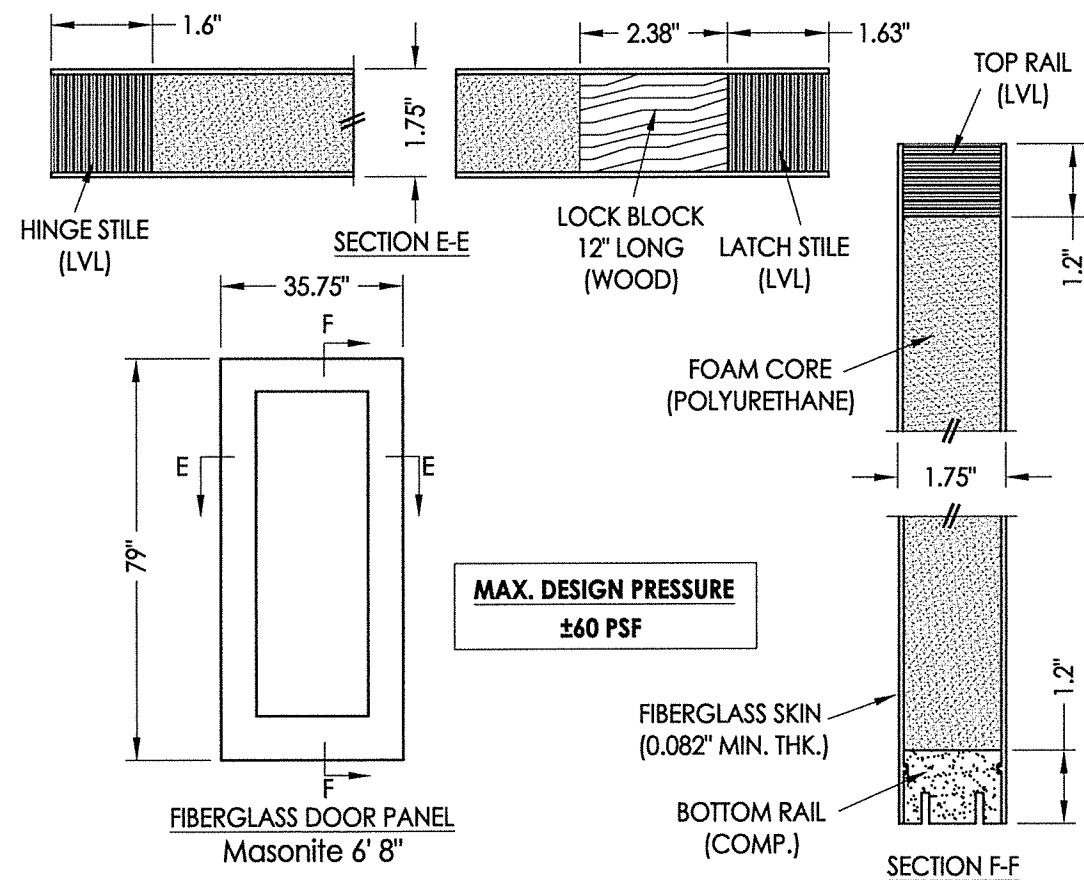
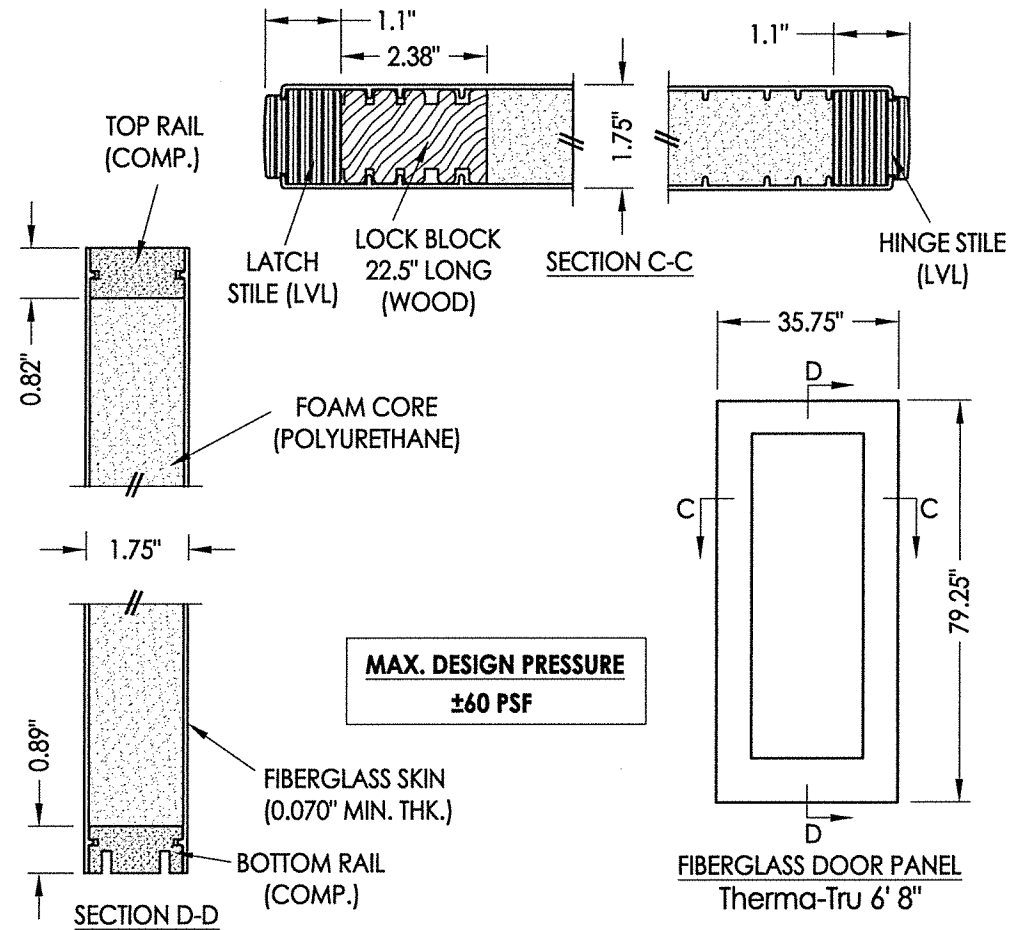
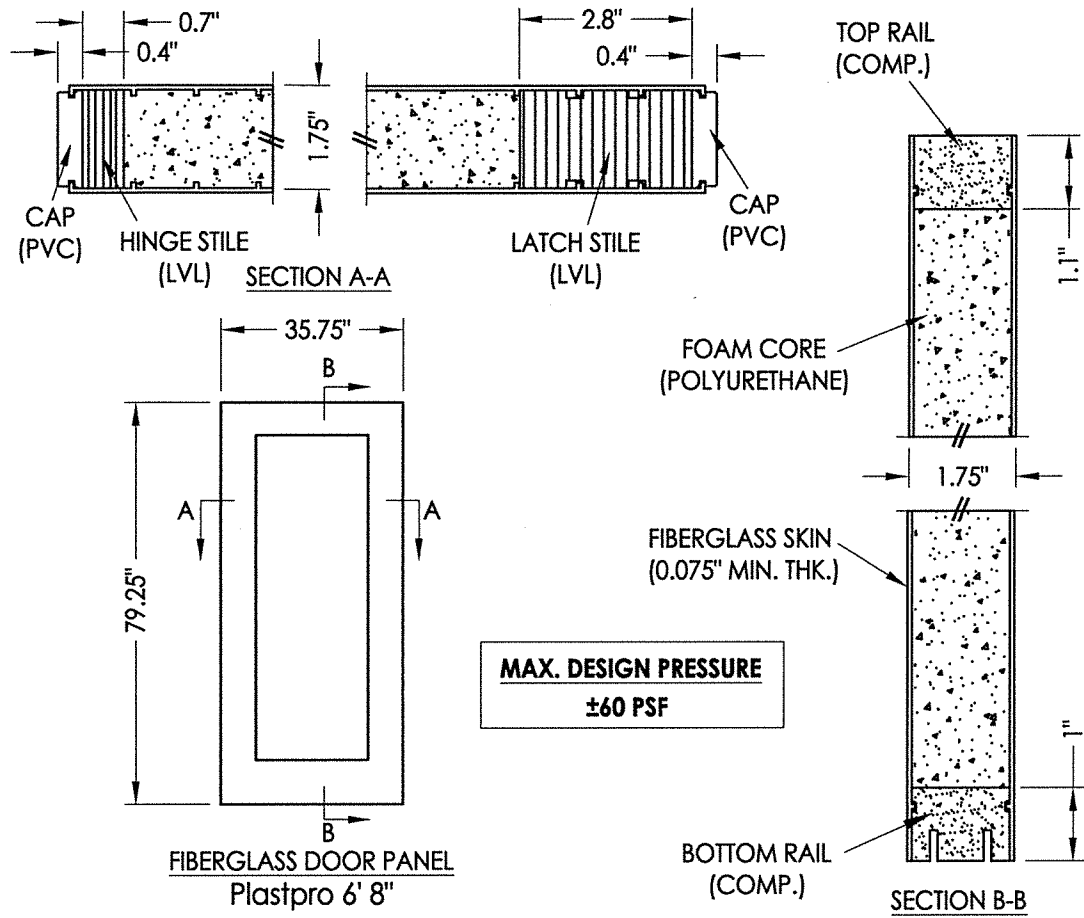


August 07, 2020

Documents Prepared By:
Lyndon F. Schmidt
P.E. No. 43409

R.W. BUILDING CONSULTANTS, INC.
P.O. Box 230, Valrico, FL 33595
Phone No.: 813.659.9197
FBPE Registry License No. 9813

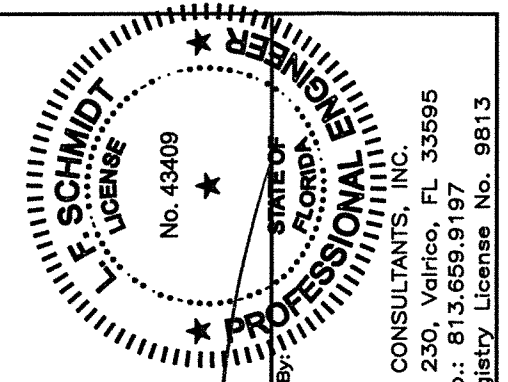
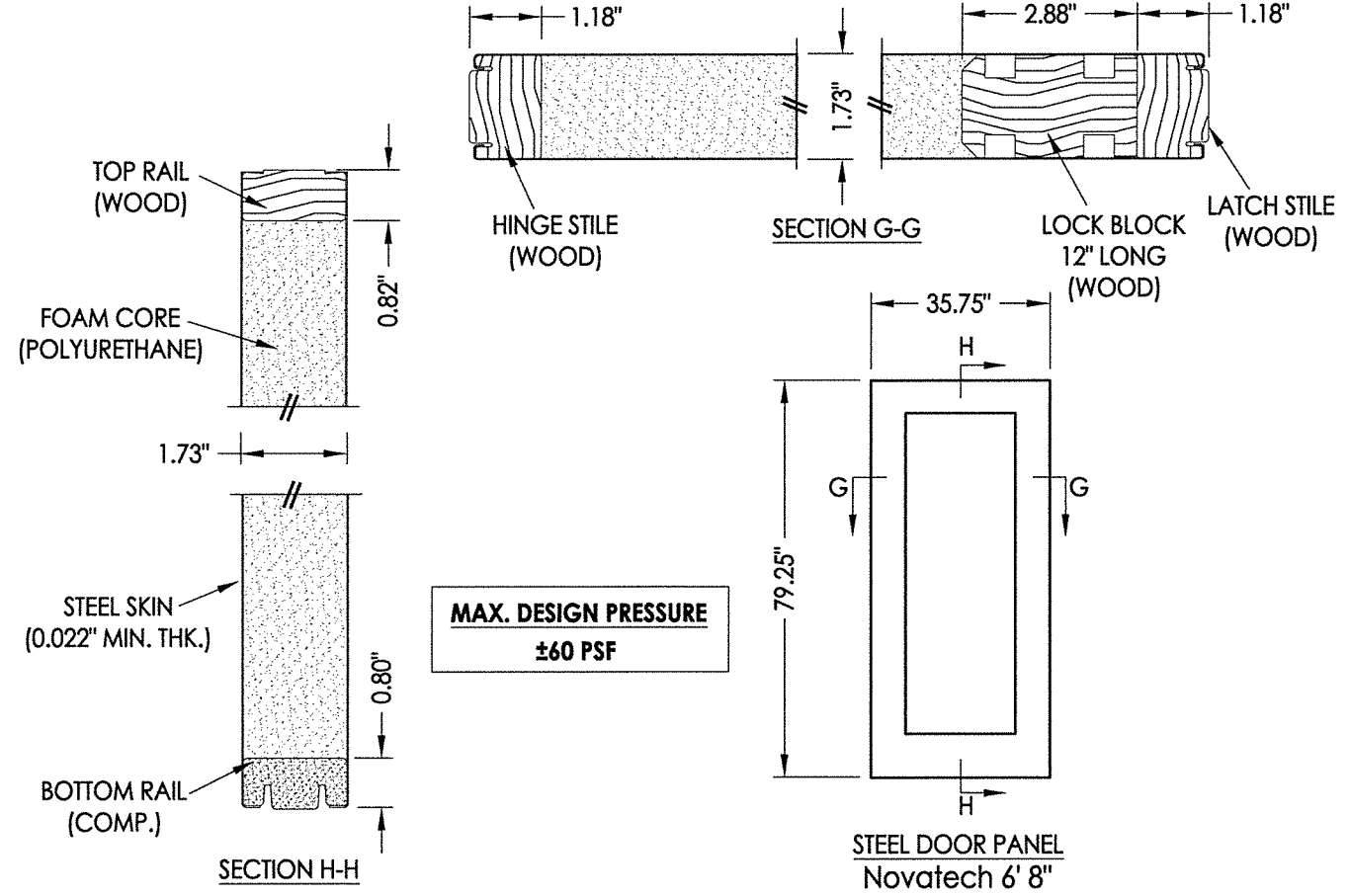
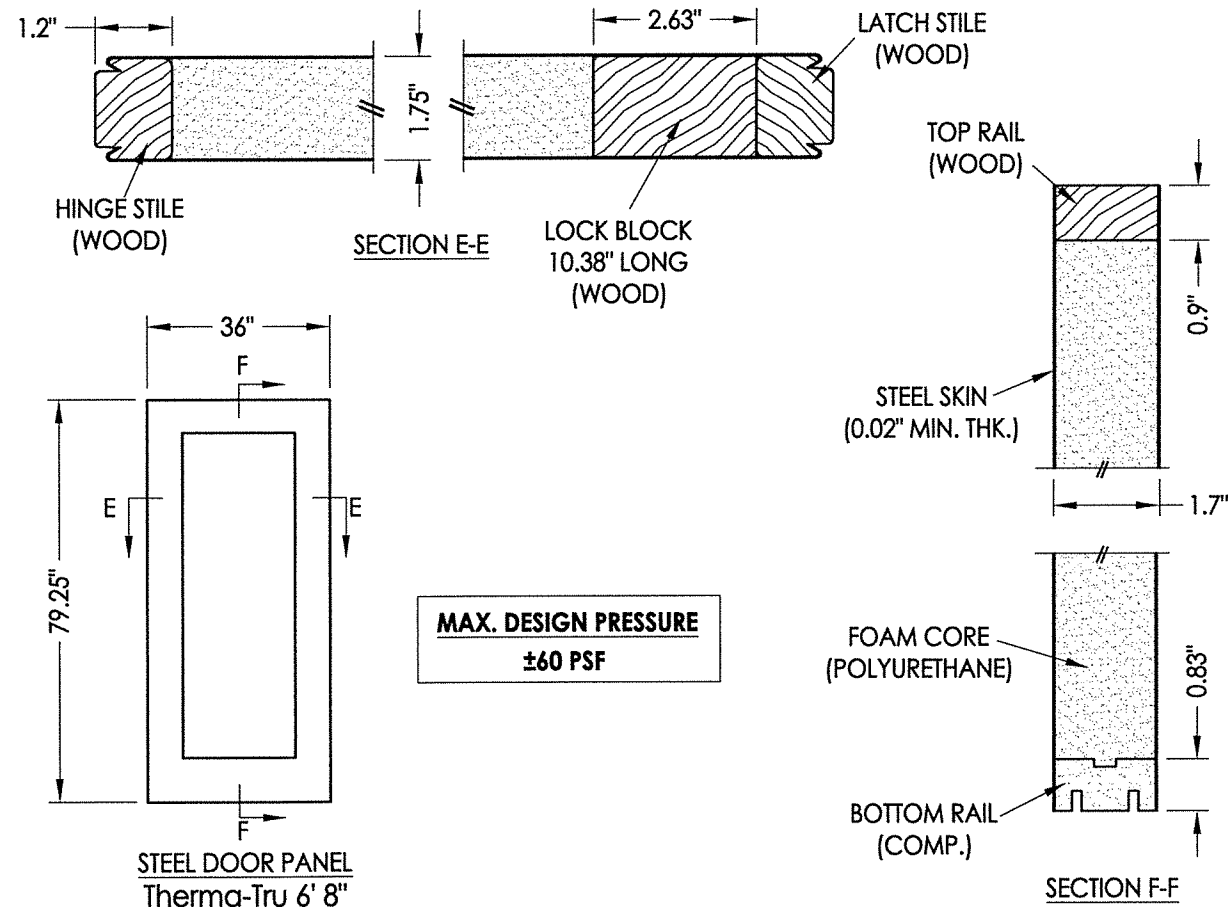
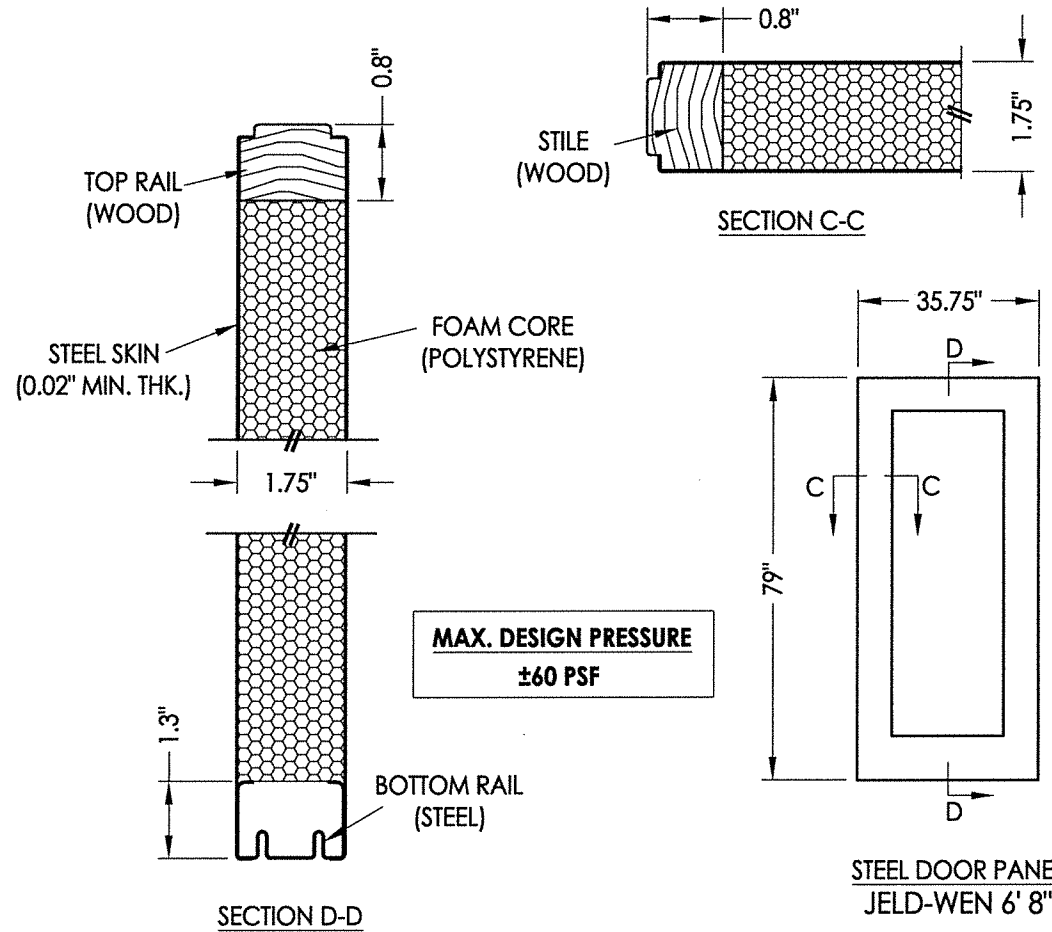
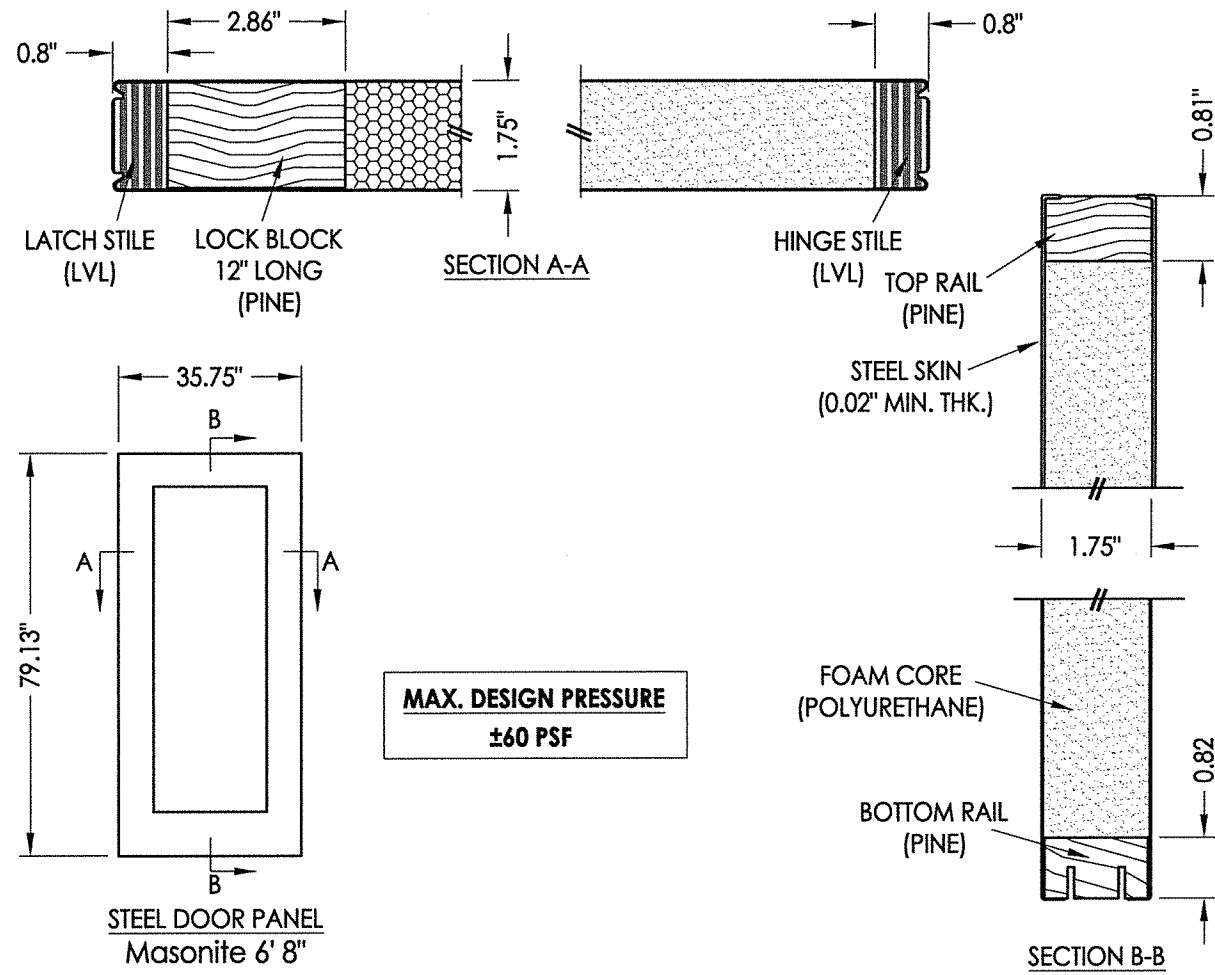
PRODUCT:		ZEEL LITE FRAME SYSTEM	
PART OR ASSEMBLY:		LITE FRAME & GLAZING DETAILS	
NO.	DATE	REVISIONS	
2	8/05/20	UPDATE TO 7th ED. (2020) FBC	DAC
1	10/8/19	REVISE LITE FRAME NAME	LFS
			BY
DATE:		4/02/19	
SCALE:		N.T.S.	
DWG. BY:		LFS	
CHK. BY:		RW	
DRAWING NO.:		FL-15260.18	
SHEET		2 of 4	



August 07, 2020
 Documents Prepared By:
 Lyndon F. Schmidt
 P.E. No. 43409

RW
 BUILDING CONSULTANTS, INC.
 P.O. Box 230, Valrico, FL 33595
 Phone No.: 813.659.9197
 FBPE Registry License No. 9813

PRODUCT:		ZEEL LITE FRAME SYSTEM	
PART OR ASSEMBLY:		FIBERGLASS DOOR PANELS	
NO.	DATE	REVISIONS	BY
2	8/05/20	UPDATE TO 7th ED. (2020)	FBC
1	10/8/19	REVISE LITE FRAME NAME	LFS
DATE: 4/02/19			
SCALE: N.T.S.			
DWG. BY: LFS			
CHK. BY: RW			
DRAWING NO.: FL-15260.18			
SHEET 3 OF 4			



LFS

August 07, 2020
 Documents Prepared By:
 Lyndon F. Schmidt
 P.E. No. 43409

RW BUILDING CONSULTANTS, INC.
 P.O. Box 230, Valrico, FL 33595
 Phone No.: 813.659.9197
 FBPE Registry License No. 9813

PRODUCT:	ZEEL LITE FRAME SYSTEM
PART OR ASSEMBLY:	STEEL DOOR PANELS
DATE:	4/02/19
SCALE:	N.T.S.
DWG. BY:	LFS
CHK. BY:	RW
DRAWING NO.:	FL-15260.18
SHEET	4 OF 4

NO.	DATE	REVISIONS
2	8/05/20	UPDATE TO 7th ED. (2020) FBC
1	10/8/19	REVISE LITE FRAME NAME
		DAC
		LFS
		BY