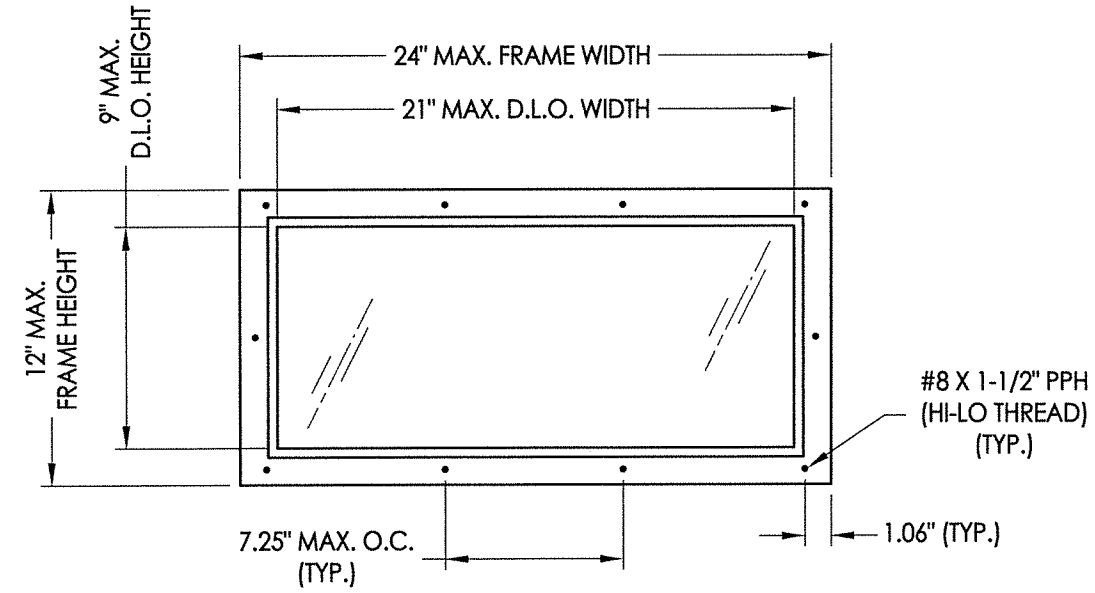
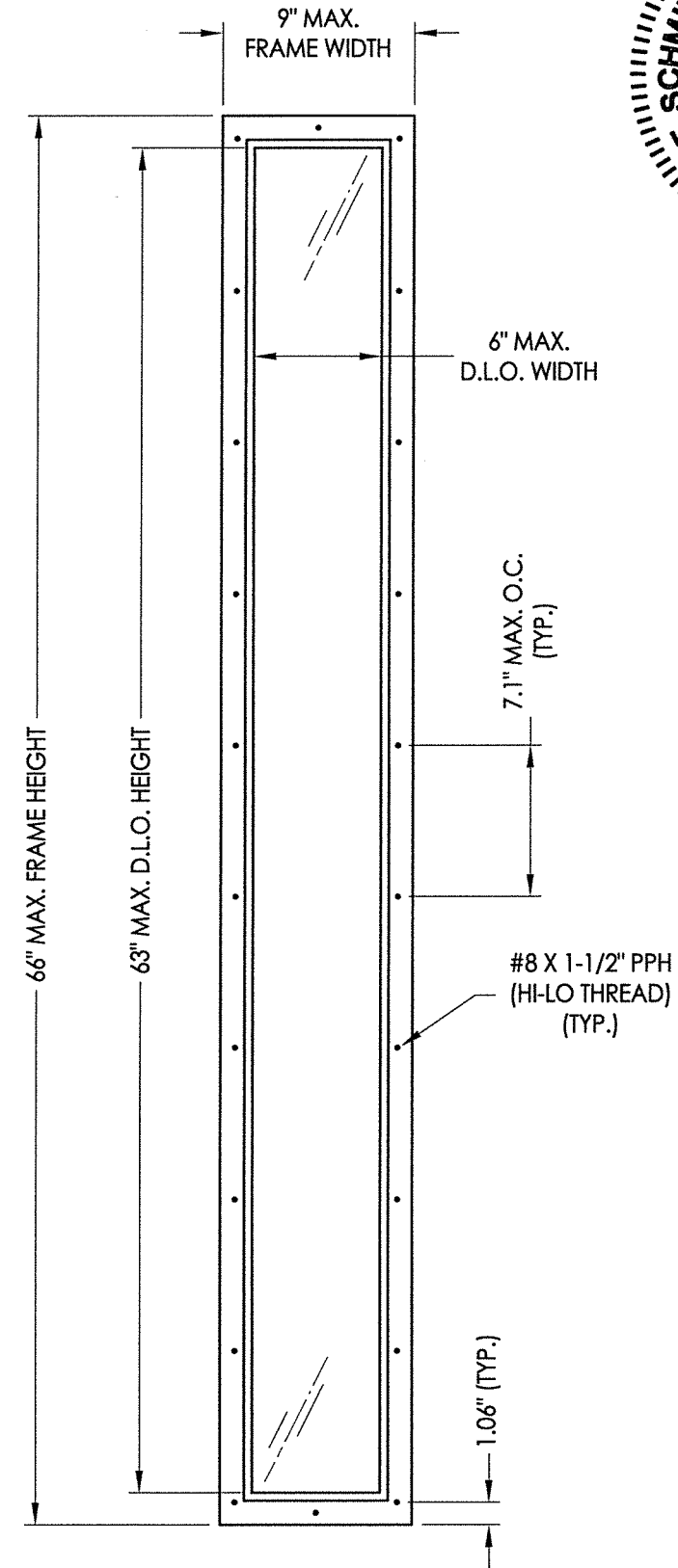


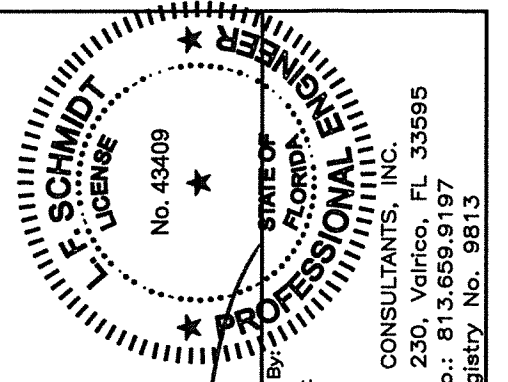
**"Spotlights" Life Frame System**  
**24.0" X 5.5"**



**"Spotlights" Life Frame System**  
**24.0" X 12.0"**



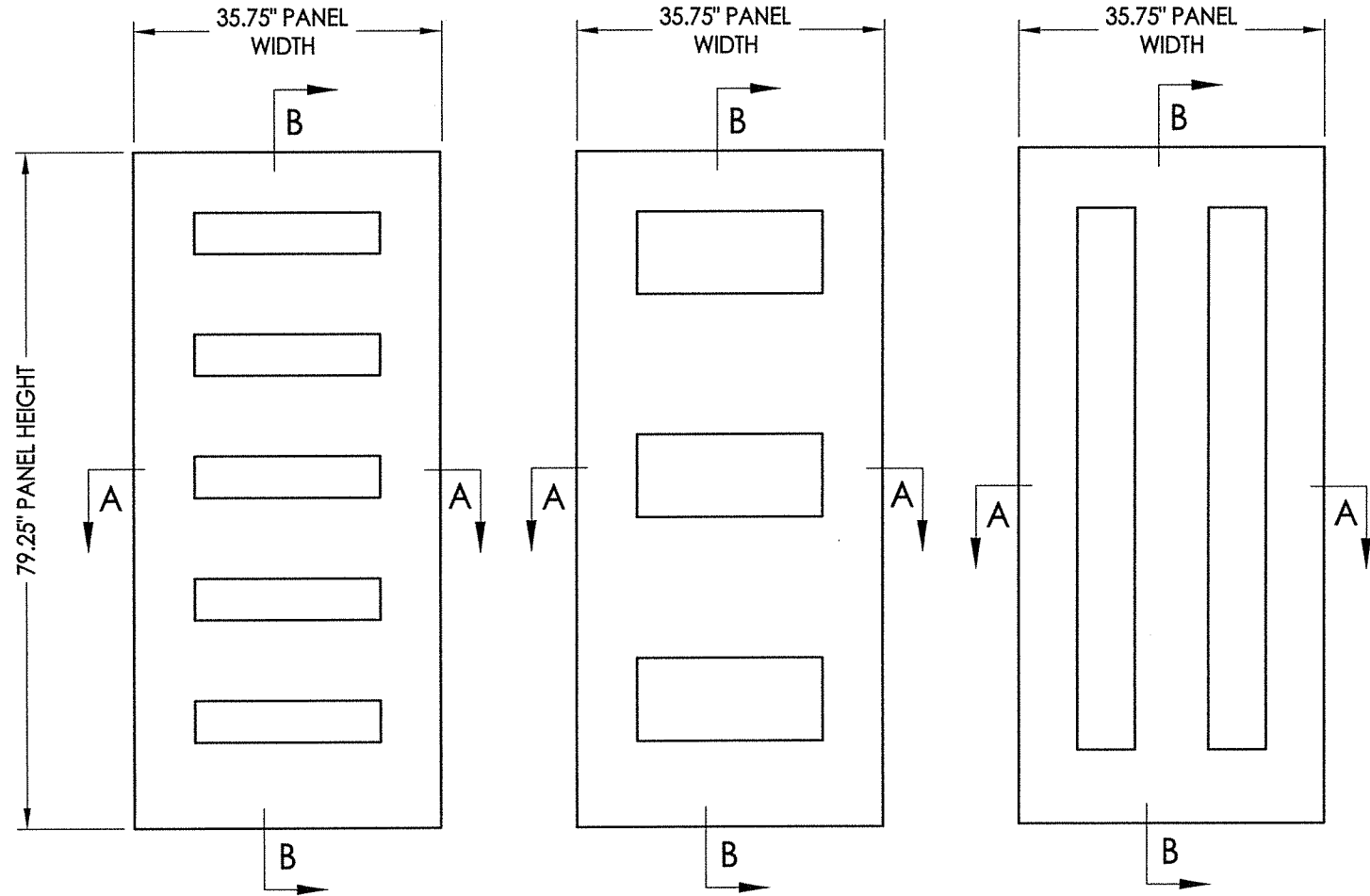
**"Spotlights" Life Frame System**  
**9.0" X 66.0"**



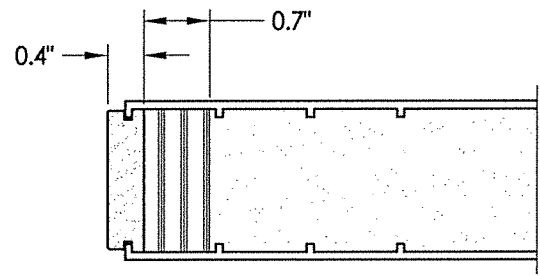
Documents Prepared By: *LFS*  
 Lyndon F. Schmidt  
 P.E. No. 43409  
 August 07, 2020

*RW* BUILDING CONSULTANTS, INC.  
 P.O. Box 230, Valrico, FL 33595  
 Phone No.: 813.659.9197  
 FBPE Registry No. 9813

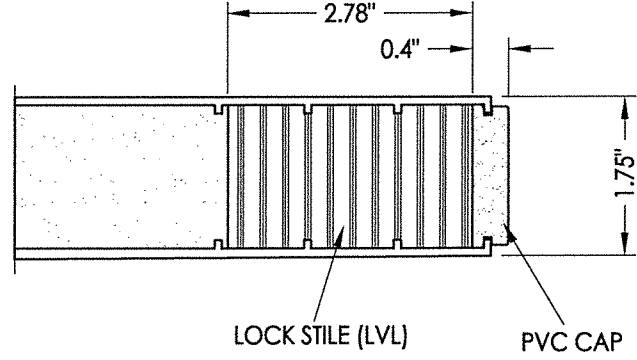
PRODUCT: ODL LITE FRAME	
PART OR ASSEMBLY: FRAME & GLAZING DETAILS	
NO.	DATE
3	8/05/20
2	6/14/18
1	9/26/17
REVISIONS	
DATE:	4/16/16
SCALE:	N.T.S.
DWG. BY:	JK
CHK. BY:	LFS
DRAWING NO.:	FL-15260.17
SHEET	2 OF 4



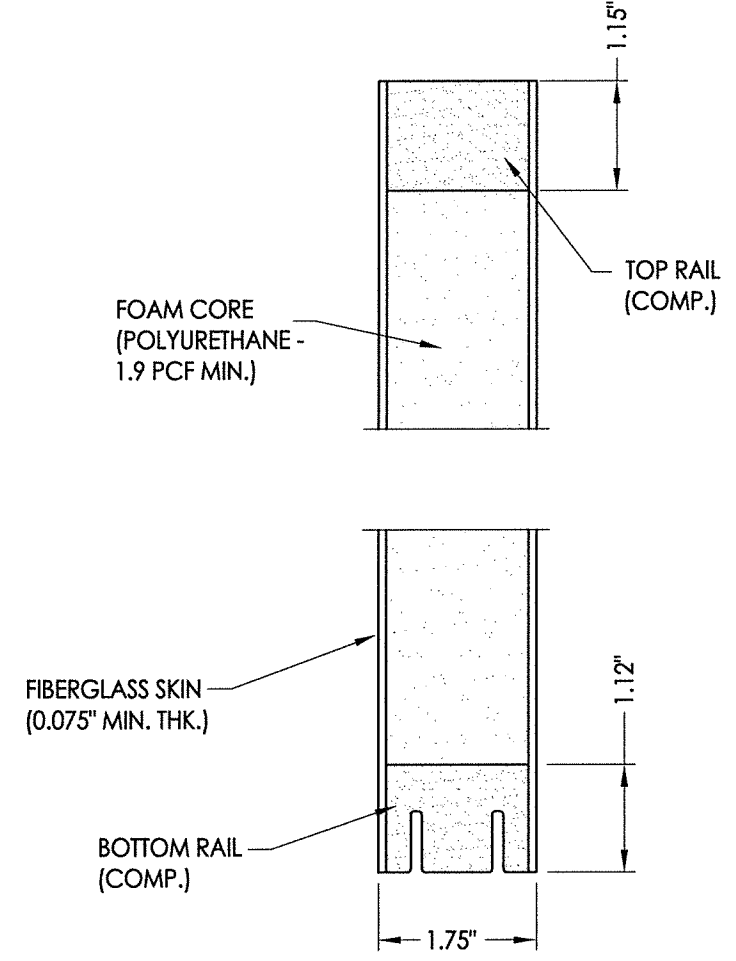
FIBERGLASS DOOR PANELS  
Plastpro 6'-8"



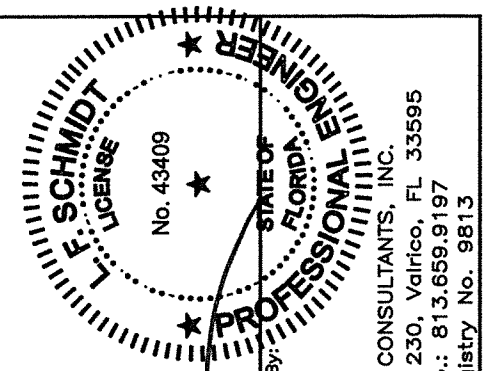
SECTION A-A



LOCK STILE (LVL) PVC CAP



SECTION B-B



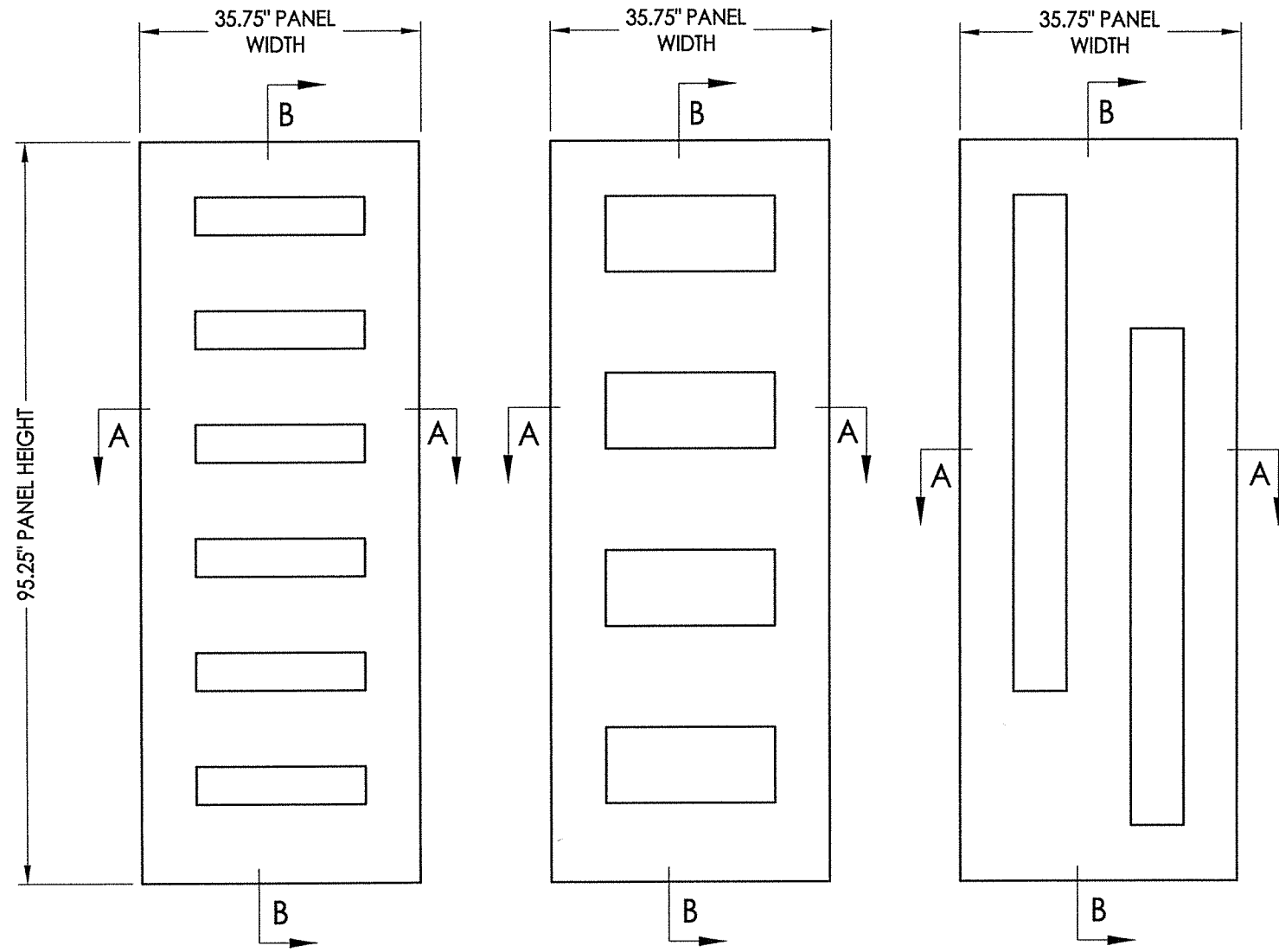
*LFS*

August 07, 2020

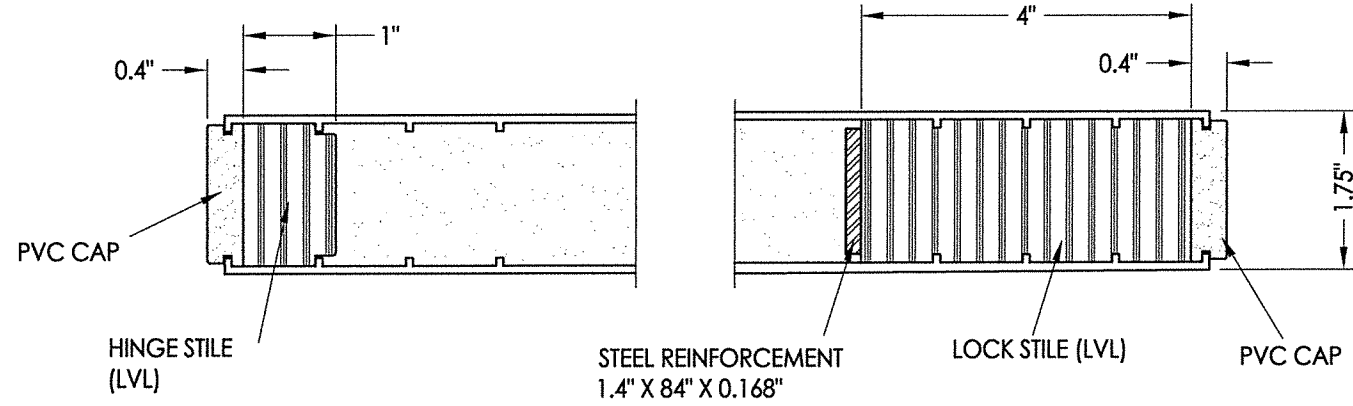
Documents Prepared By:  
Lyndon F. Schmidt  
P.E. No. 43409

*RW* BUILDING CONSULTANTS, INC.  
P.O. Box 230, Valrico, FL 33595  
Phone No.: 813.659.9197  
FBPE Registry No. 9813

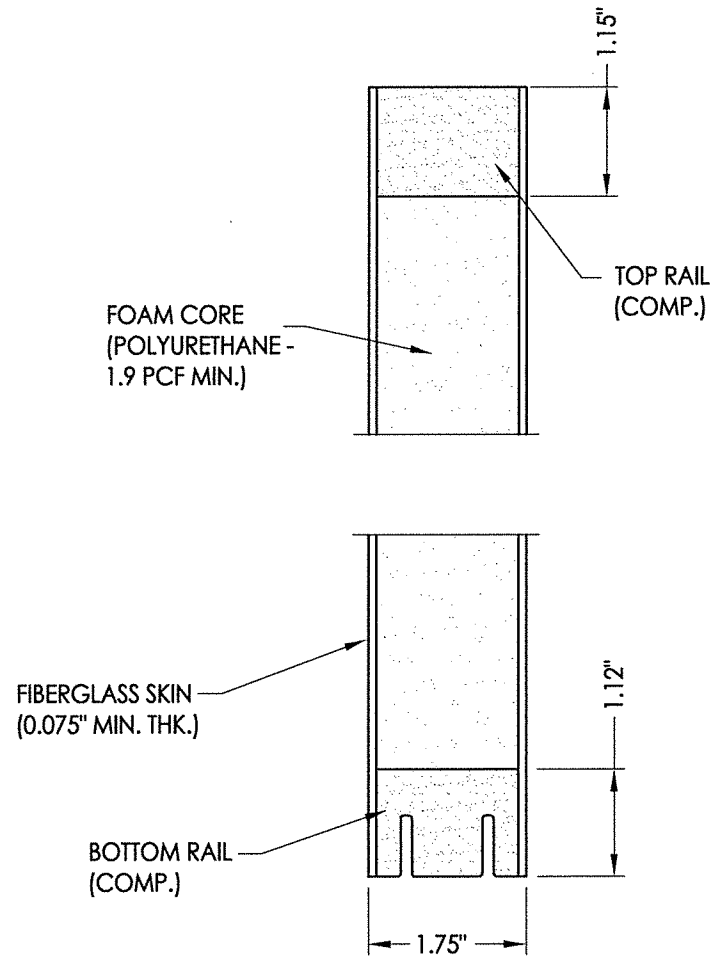
PRODUCT: ODL LITE FRAME		PART OR ASSEMBLY: FIBERGLASS DOOR PANEL (6'-8")	
3	8/05/20	UPDATE TO 7TH ED. (2020) FBC	DAC
2	6/14/18	ADD 21" X 5.5" FRAME SIZE	LFS
1	9/26/17	UPDATE TO 6TH ED. (2017) FBC	JK
NO.	DATE	REVISIONS	
DATE: 4/16/16			
SCALE: N.T.S.			
DWG. BY: JK			
CHK. BY: LFS			
DRAWING NO.: FL-15260.17			
SHEET 3 OF 4			



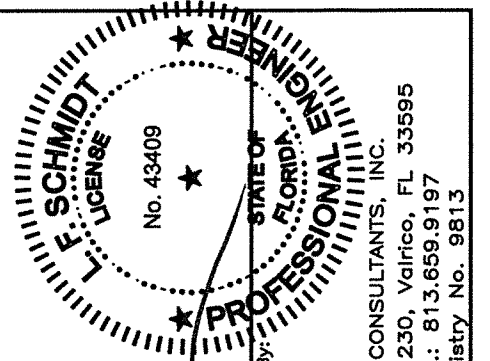
FIBERGLASS DOOR PANELS  
Plastpro 8'-0"



SECTION A-A



SECTION B-B



*LFS*

August 07, 2020  
Documents Prepared By:  
Lyndon F. Schmidt  
P.E. No. 43409

*RW*  
BUILDING CONSULTANTS, INC.  
P.O. Box 230, Vairico, FL 33595  
Phone No.: 813.659.9197  
FBPE Registry No. 9813

PRODUCT: ODL LITE FRAME		PART OR ASSEMBLY: FIBERGLASS DOOR PANEL (8'-0")	
NO.	DATE	BY	REVISIONS
3	8/05/20	DAC	UPDATE TO 7TH ED. (2020) FBC
2	6/14/18	LFS	ADD 21" X 5.5" FRAME SIZE
1	9/26/17	JK	UPDATE TO 6TH ED. (2017) FBC
DATE: 4/16/16			
SCALE: N.T.S.			
DWG. BY: JK			
CHK. BY: LFS			
DRAWING NO.: FL-15260.17			
SHEET 4 OF 4			