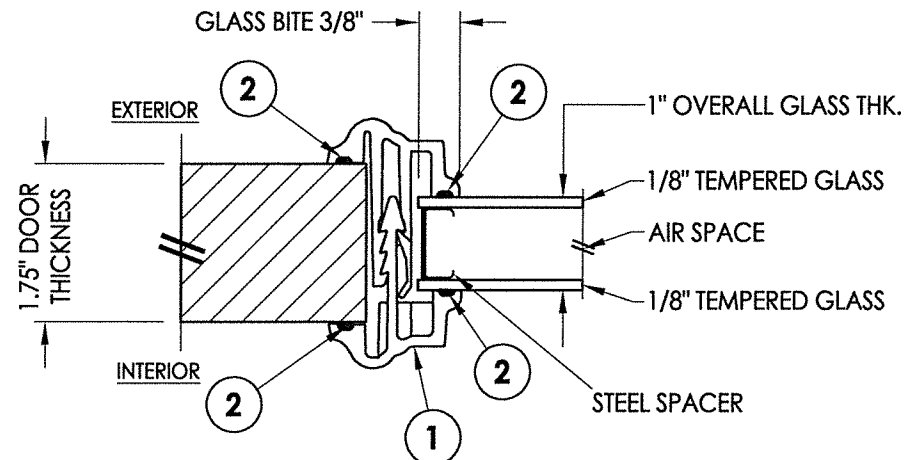
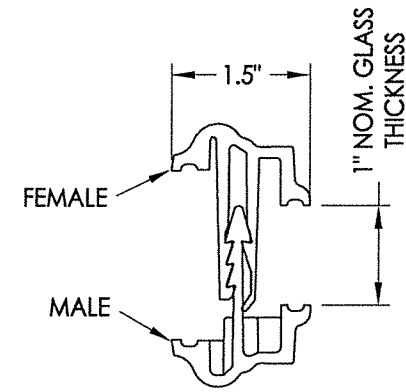


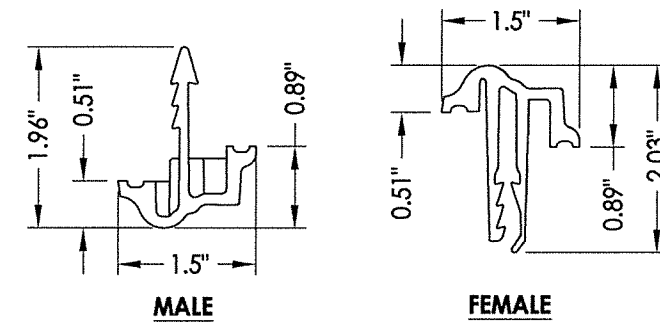
**2**  
**2** HORIZONTAL CROSS SECTION



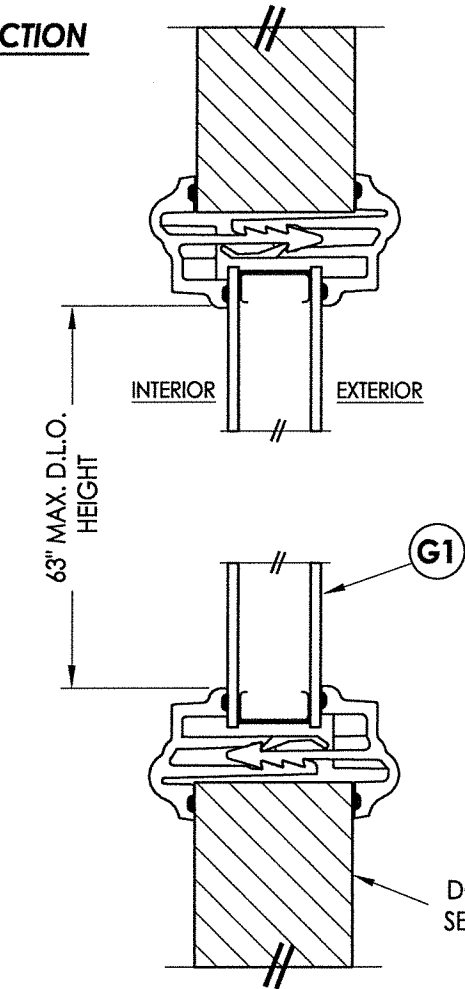
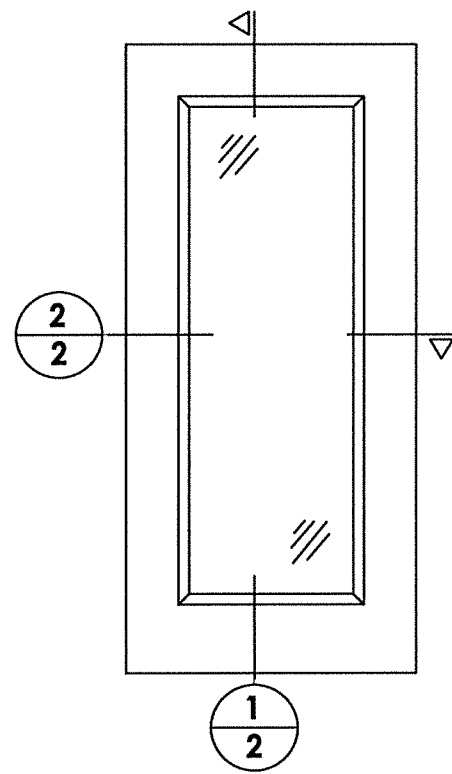
**G1** GLAZING DETAIL



**ODL SMART FRAME**  
HP POLYPROPYLENE

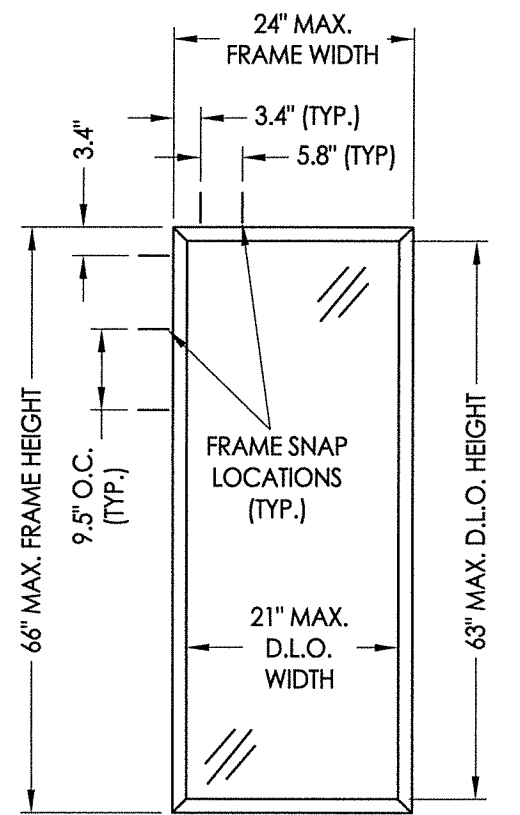


**1** SMART FRAME

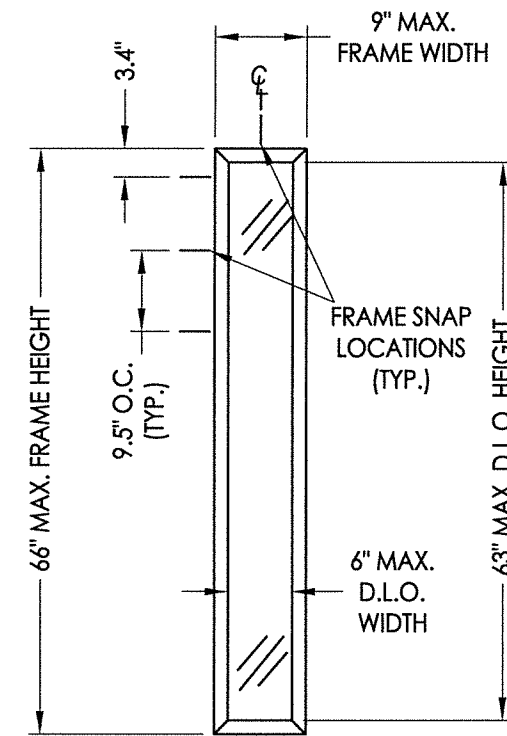


**1**  
**2** VERTICAL CROSS SECTION

DOOR PANEL UNDER SEPARATE APPROVAL (TYP.)

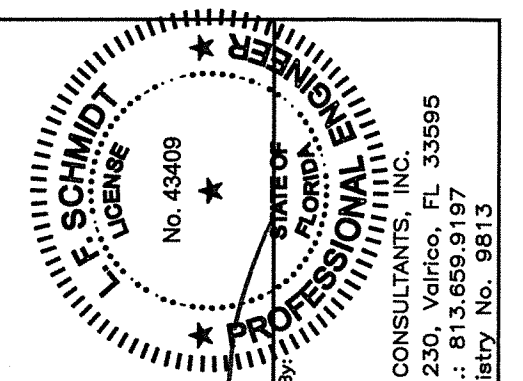


24" x 66" SMART FRAME DOORGLASS



9" x 66" SMART FRAME DOORGLASS

BILL OF MATERIALS		
ITEM #	DESCRIPTION	MATERIAL
1	ODL SMART FRAME	HP POLYPRO
2	FOAM-IN-PLACE GASKET	URETHANE



*LFM*

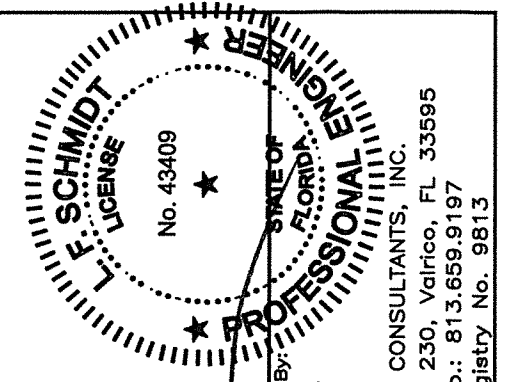
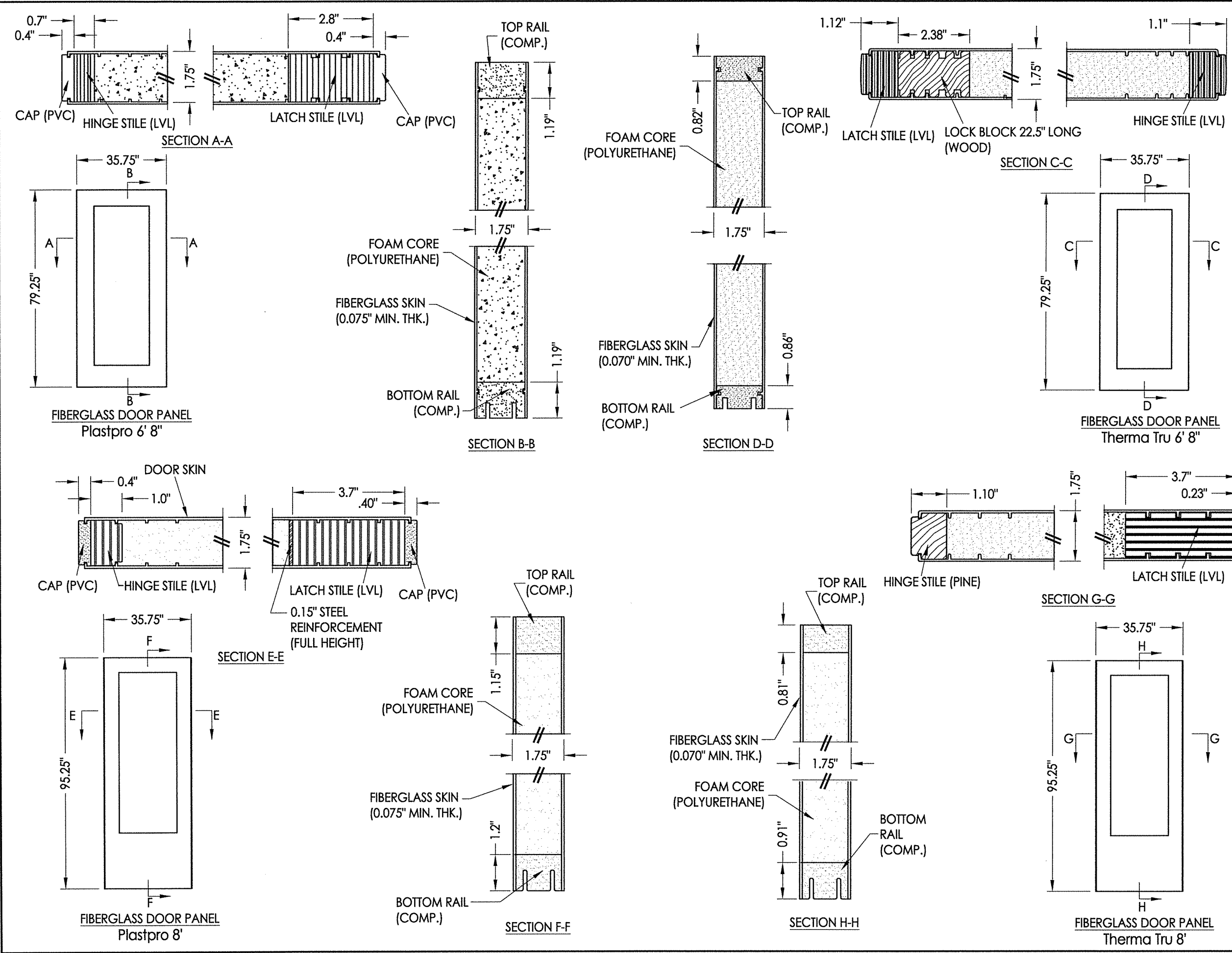
August 07, 2020

Documents Prepared By:  
Lyndon F. Schmidt  
P.E. No. 43409

**R.W.** BUILDING CONSULTANTS, INC.  
P.O. Box 230, Valrico, FL 33595  
Phone No.: 813.659.9197  
FBPE Registry No. 9813

PRODUCT:	SMART FRAME		
PART OR ASSEMBLY:	CROSS SECTIONS & GLAZING DETAILS		
NO.	DATE	BY	
3	8/05/20	UPDATE TO 6TH ED. (2017) FBC	DAC
2	10/10/18	ADD SMART FRAME DETAILS	LFS
1	9/26/17	UPDATE TO 6TH ED. (2017) FBC	JK
REVISIONS			
DATE:		3/31/15	
SCALE:		N.T.S.	
DWG. BY:		JK	
CHK. BY:		LFS	
DRAWING NO.:		FL-15260.14	
SHEET		2 OF 4	

\\dc01\wbc\Clients\ODL, Inc. PERMANENTVA - Florida Product Approvals\FL-15260 Exterior Door Components - Lite Frame InsertsC - Lite Frame InsertsC - Drawings\FL 15260 (2020) R9\FL-15260.14.dwg

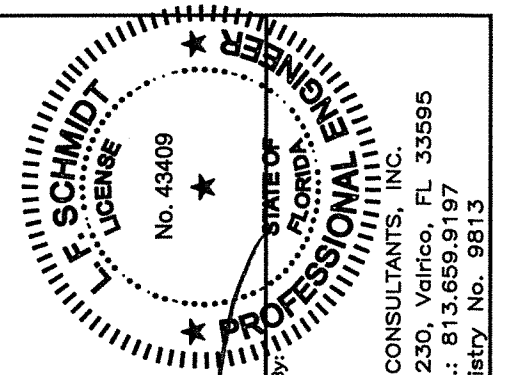
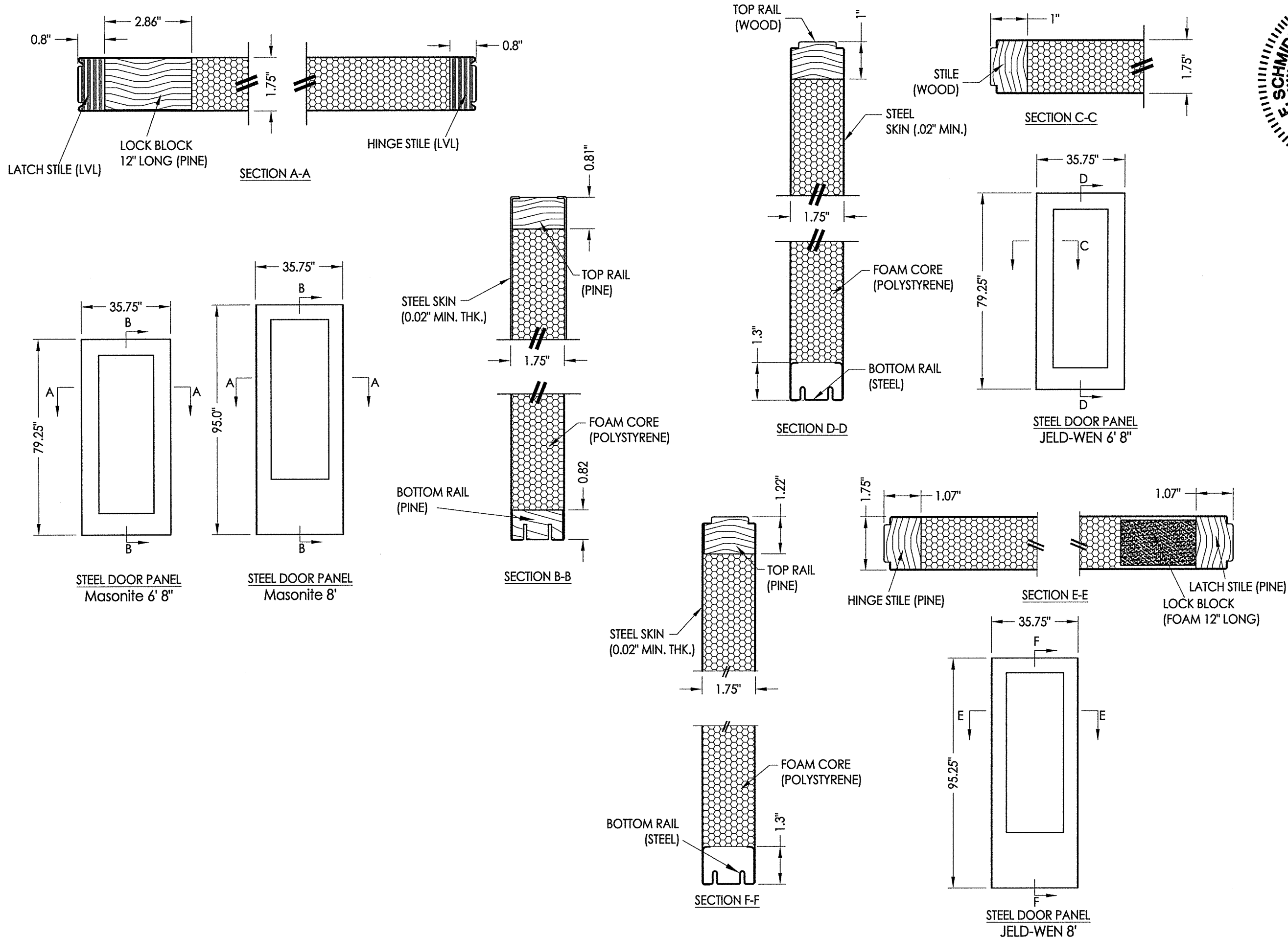


August 07, 2020  
 Documents Prepared By:  
 Lyndon F. Schmidt  
 P.E. No. 43409

*RW*  
 BUILDING CONSULTANTS, INC.  
 P.O. Box 230, Valrico, FL 33595  
 Phone No.: 813.659.9197  
 FBPE Registry No. 9813

PRODUCT:		SMART FRAME	
PART OR ASSEMBLY:		FIBERGLASS DOOR PANELS	
NO.	DATE	BY	REVISIONS
3	8/05/20	DAC	UPDATE TO 6TH ED. (2017) FBC
2	10/10/18	LFS	ADD SMART FRAME DETAILS
1	9/26/17	JK	UPDATE TO 6TH ED. (2017) FBC
DATE:		3/31/15	
SCALE:		N.T.S.	
DWG. BY:		JK	
CHK. BY:		LFS	
DRAWING NO.:		FL-15260.14	
SHEET		3 OF 4	

© 2015 R.W. BUILDING CONSULTANTS INC.



August 07, 2020  
 Documents Prepared By:  
 Lyndon F. Schmidt  
 P.E. No. 43409

*RW*  
 BUILDING CONSULTANTS, INC.  
 P.O. Box 230, Vairico, FL 33595  
 Phone No.: 813.659.9197  
 FBPE Registry No. 9813

PRODUCT:		SMART FRAME	
PART OR ASSEMBLY:		STEEL DOOR PANELS	
NO.	DATE	BY	REVISIONS
3	8/05/20	DAC	UPDATE TO 6TH ED. (2017) FBC
2	10/10/18	LFS	ADD SMART FRAME DETAILS
1	9/26/17	JK	UPDATE TO 6TH ED. (2017) FBC
DATE:	3/31/15		
SCALE:	N.T.S.		
DWG. BY:	JK		
CHK. BY:	LFS		
DRAWING NO.:	FL-15260.14		
SHEET	4 OF 4		