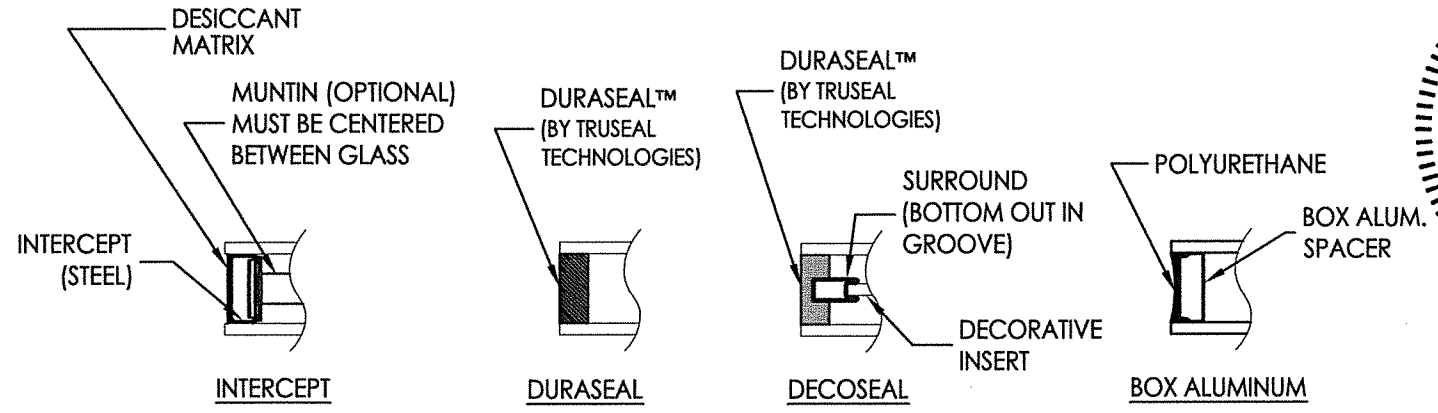
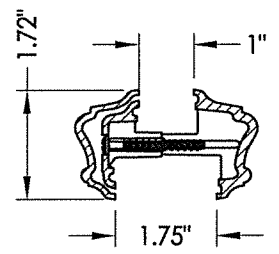


\\dc01\pwb\clients\ODL, Inc. PERMANENTVA - Florida Product Approvals\FL-15260 Exterior Door Components - Lite Frame InsertsC - Drawings\FL 15260 (2020) R9\FL-15260.13.dwg

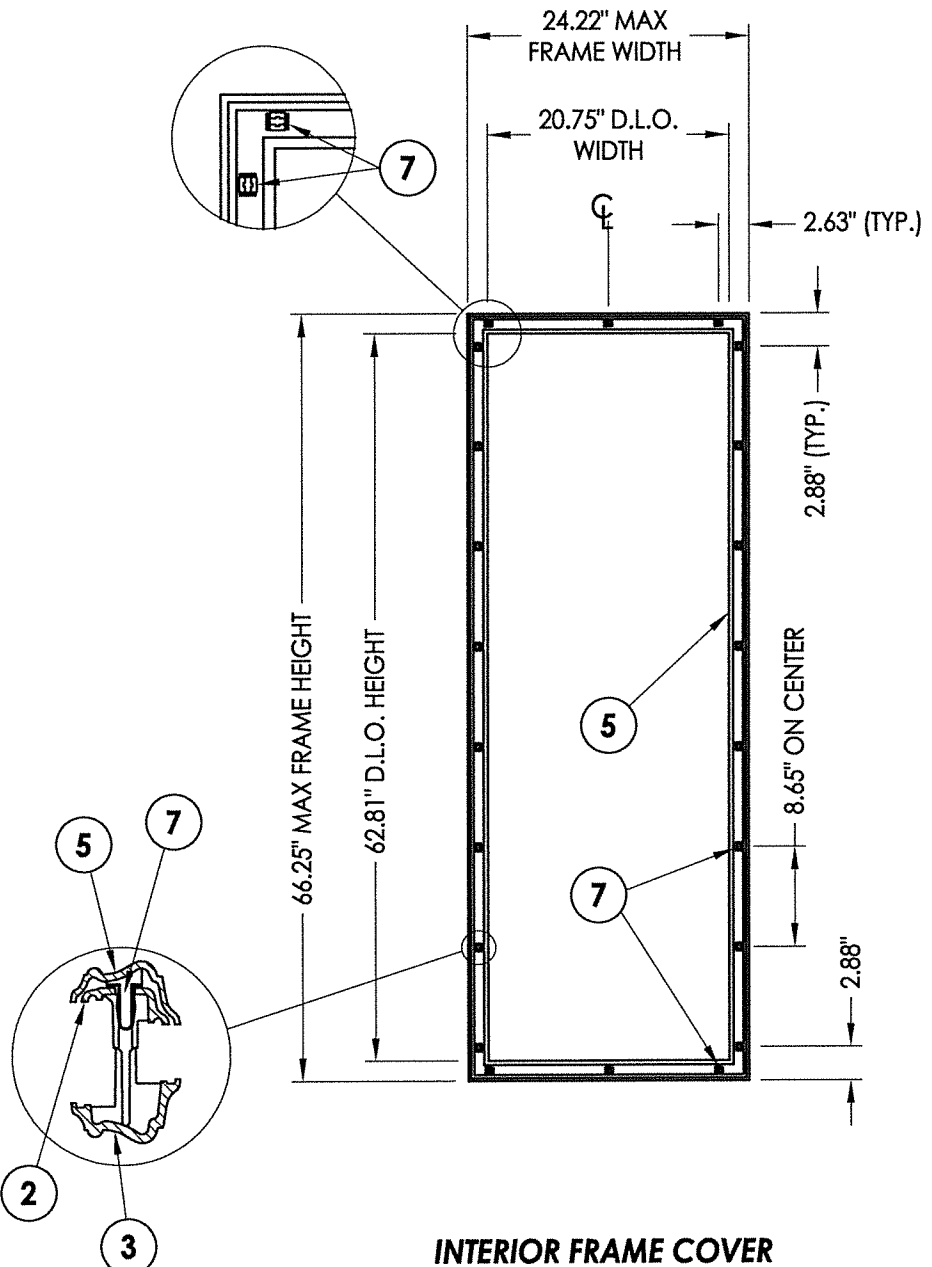
BILL OF MATERIALS		
ITEM #	DESCRIPTION	MATERIAL
1	TriSys FRAME SYSTEM	-
2	INT. FRAME (HP POLYPROPYLENE)	-
3	EXT. FRAME ("FIBERMATE" PC ABS)	-
4	#7-19 X 1-3/4" PPH SELF DRILLING SMS	STEEL
5	FRAME COVER (ABS)	-
7	FRAME CLIP	STEEL
8	FIPG (Foam-In-Place-Gasket)	POLYURETHANE



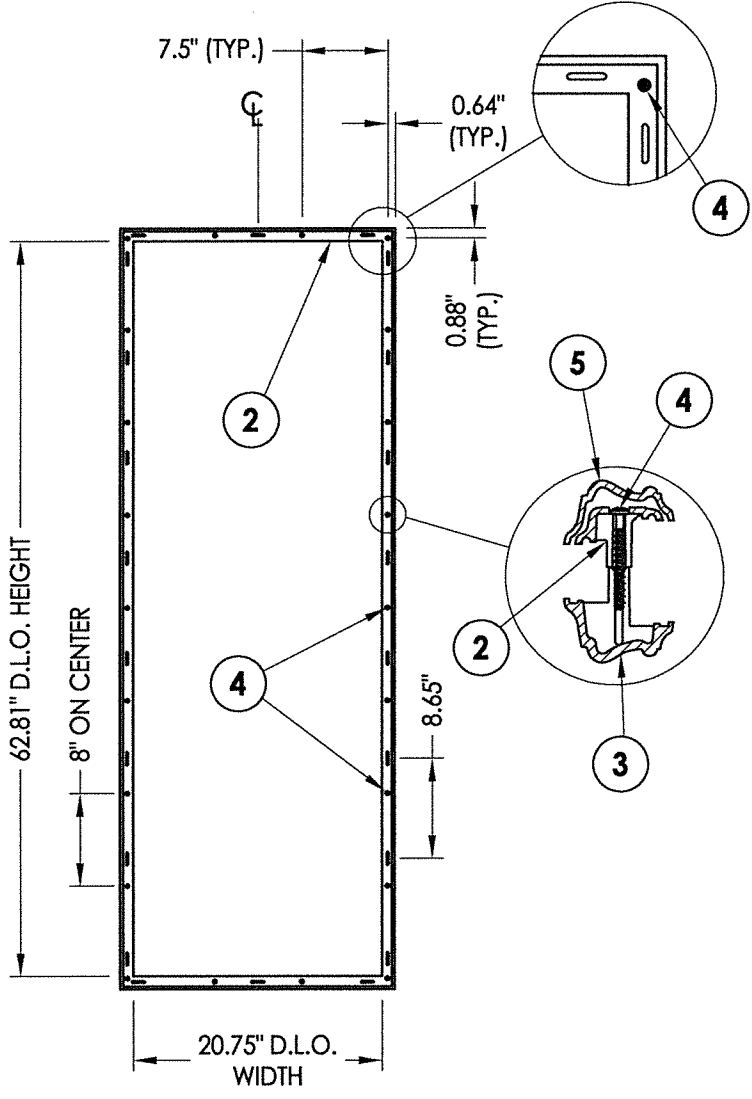
OPTIONAL GLAZING SPACER DETAILS



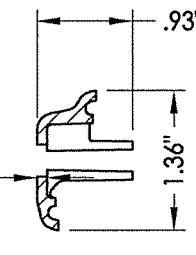
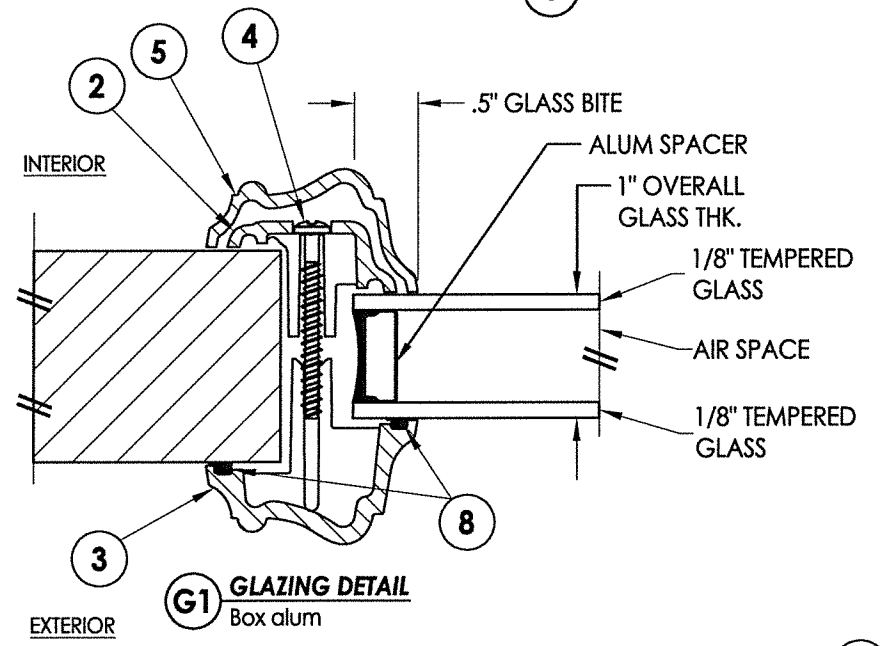
1 TriSysFRAME



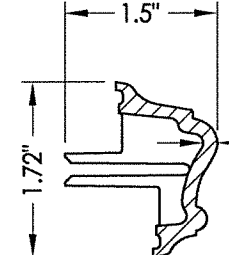
INTERIOR FRAME COVER



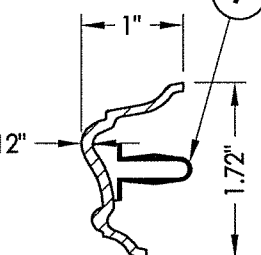
INTERIOR FRAME



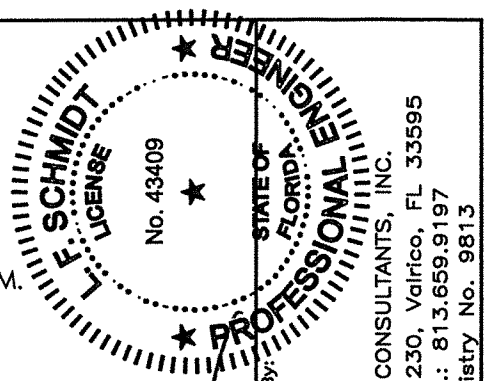
2 INT. FRAME



3 EXT. FRAME



5 INT. FRAME COVER

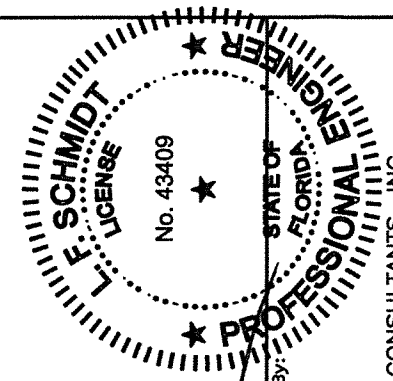
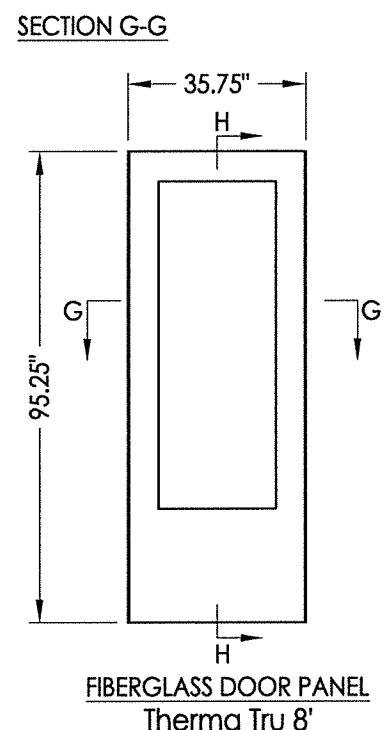
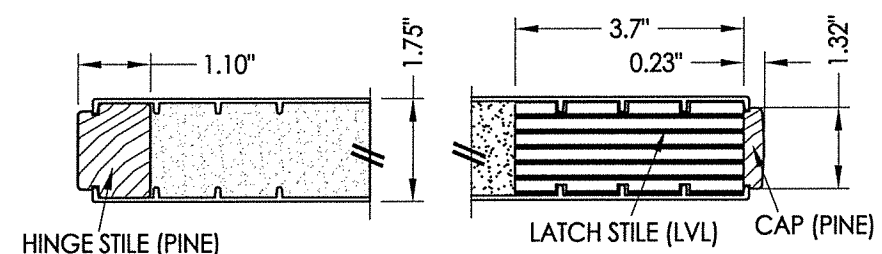
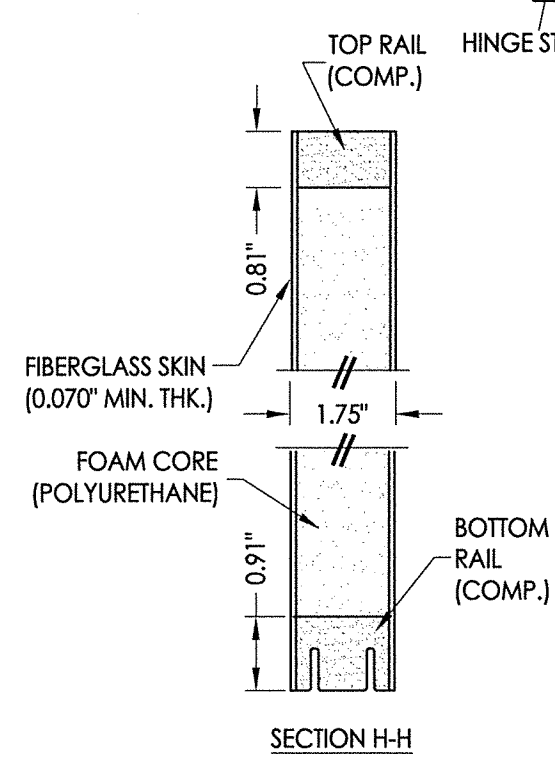
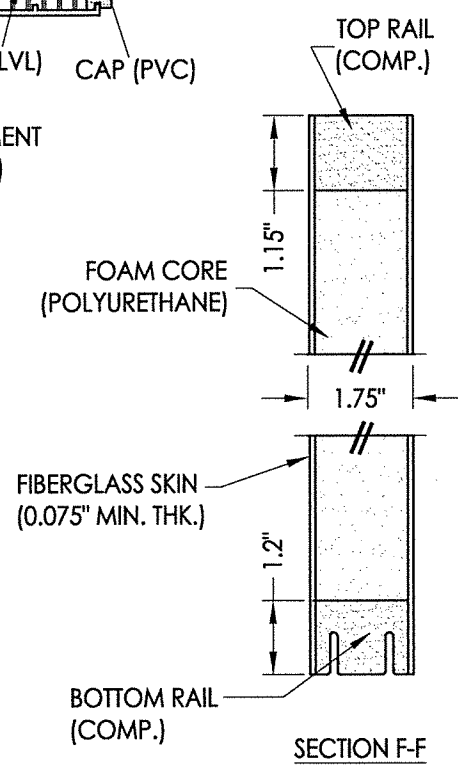
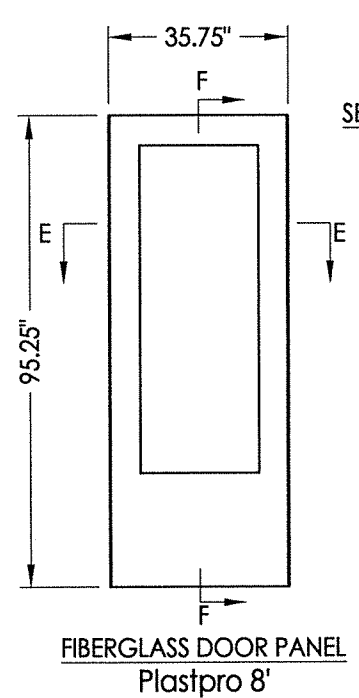
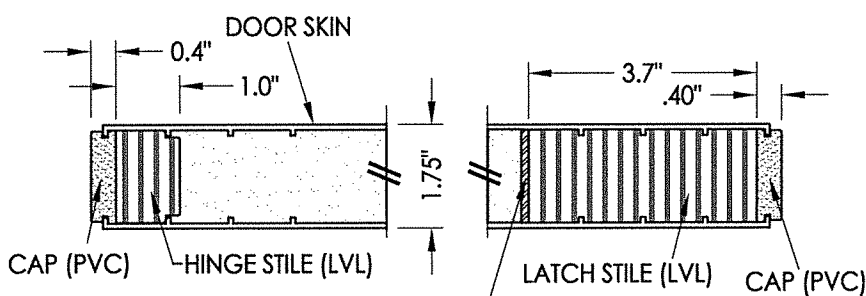
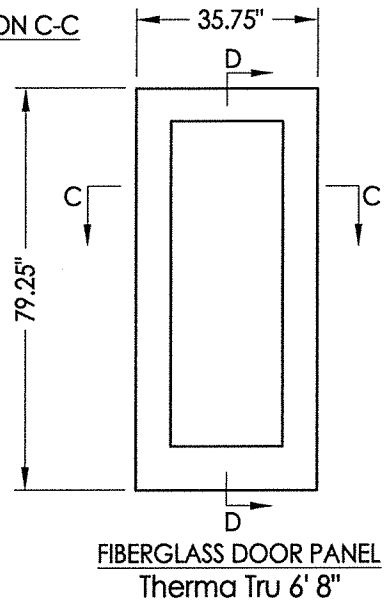
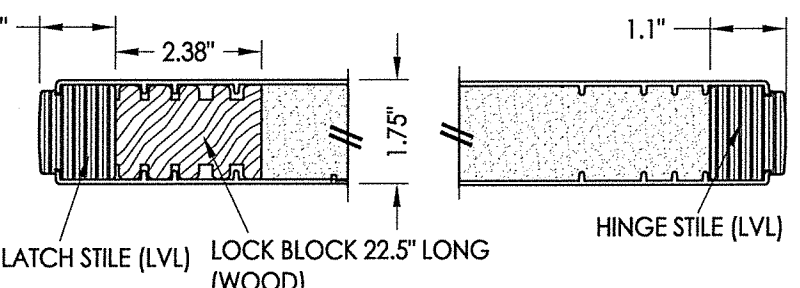
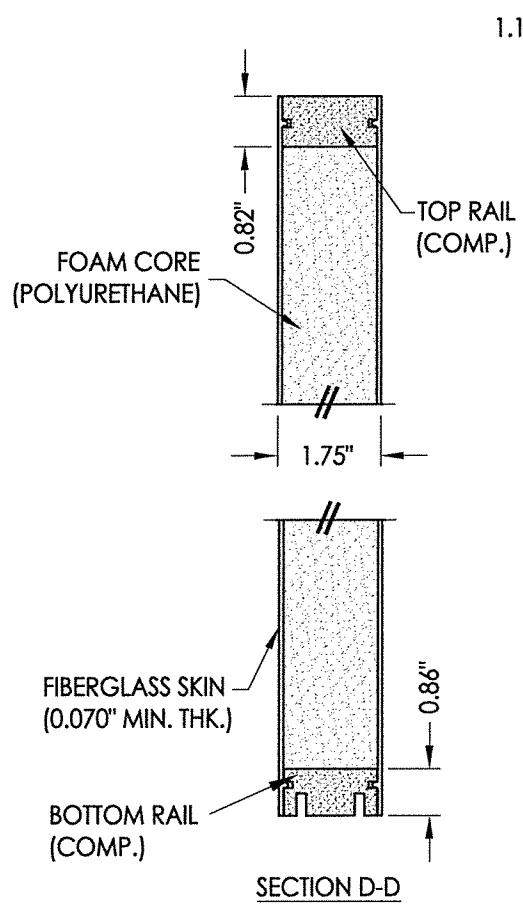
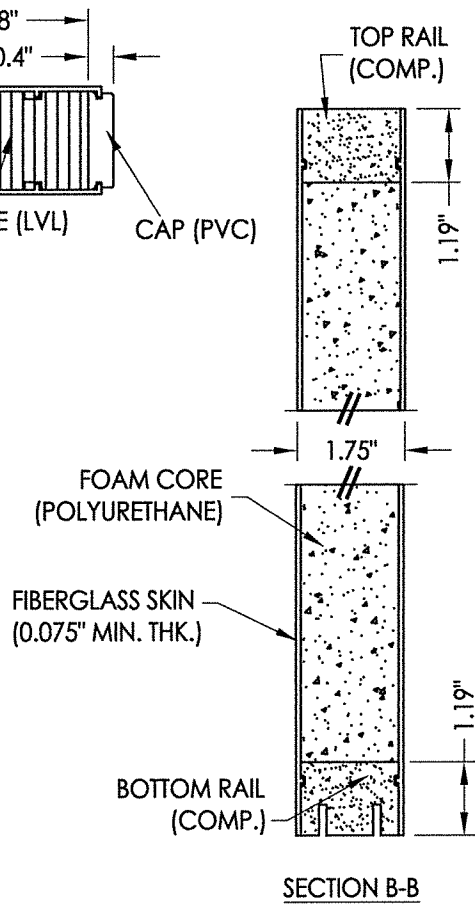
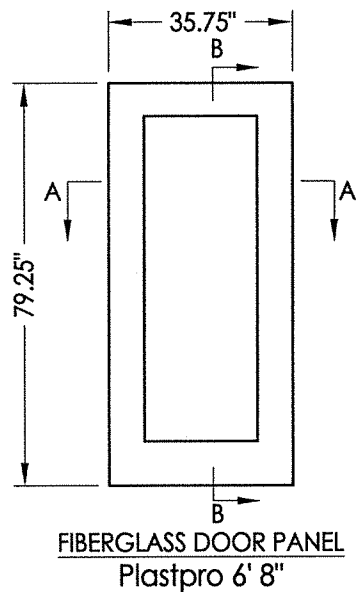
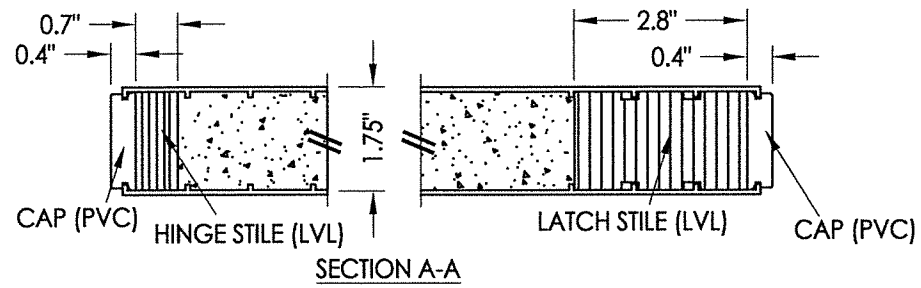


August 07, 2020
Documents Prepared By: Lyndon F. Schmidt
P.E. No. 43409

RW BUILDING CONSULTANTS, INC.
P.O. Box 230, Valrico, FL 33595
Phone No.: 813.659.9197
FBPE Registry No. 9813

PRODUCT:	TriSys FRAME SYSTEM
PART OR ASSEMBLY:	CROSS SECTIONS, GLAZING DETAILS & BILL OF MATERIALS
DATE:	3/31/15
SCALE:	N.T.S.
DWG. BY:	JK
CHK. BY:	LFS
DRAWING NO.:	FL-15260.13
SHEET	2 OF 4

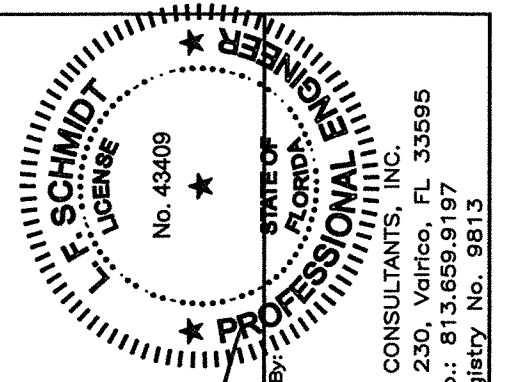
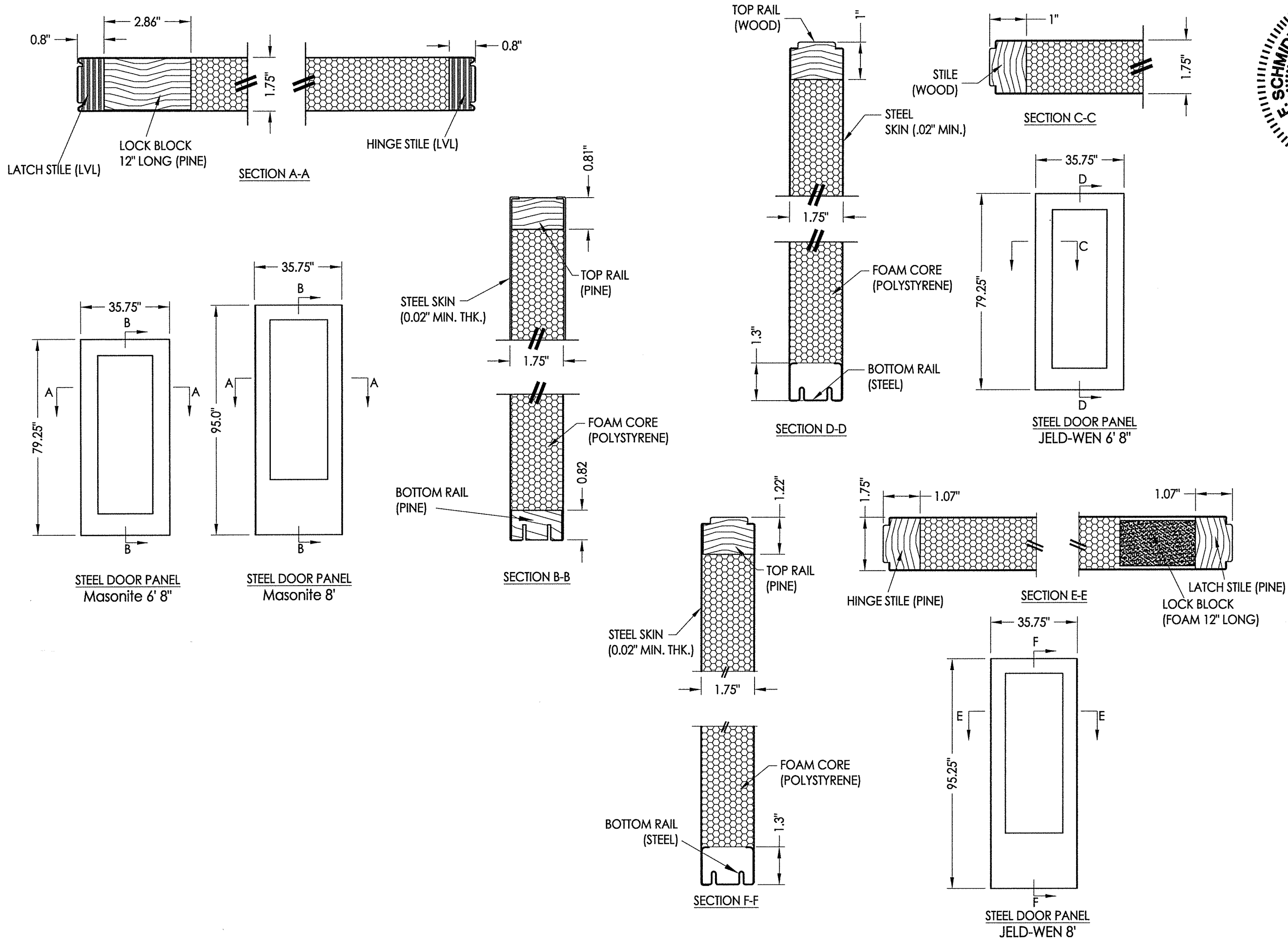
NO.	DATE	BY	REVISIONS
2	8/05/20	DAC	UPDATE TO 7TH ED. (2020) FBC
1	9/26/17	JK	UPDATE TO 6TH ED. (2017) FBC



August 07, 2020
 Documents Prepared By:
 Lyndon F. Schmidt
 P.E. No. 43409

STATE OF FLORIDA
 PROFESSIONAL ENGINEER
 No. 43409
 BUILDING CONSULTANTS, INC.
 P.O. Box 230, Valrico, FL 33595
 Phone No.: 813.659.9197
 FBPE Registry No. 9813

PRODUCT:		TriSys FRAME SYSTEM	
PART OR ASSEMBLY:		FIBERGLASS DOOR PANELS	
NO.	DATE	BY	REVISIONS
2	8/05/20	DAC	UPDATE TO 7TH ED. (2020) FBC
1	9/26/17	JK	UPDATE TO 6TH ED. (2017) FBC
DATE			
DATE:	3/31/15		
SCALE:	N.T.S.		
DWG. BY:	JK		
CHK. BY:	LFS		
DRAWING NO.:	FL-15260.13		
SHEET	3 OF 4		



August 07, 2020
 Documents Prepared By:
 Lyndon F. Schmidt
 P.E. No. 43409

R.W.
 BUILDING CONSULTANTS, INC.
 P.O. Box 230, Valrico, FL 33595
 Phone No.: 813.659.9197
 FBPE Registry No. 9813

PRODUCT:		TriSys FRAME SYSTEM	
PART OR ASSEMBLY:		STEEL DOOR PANELS	
NO.	DATE	BY	REVISIONS
2	8/05/20	JBC	UPDATE TO 7TH ED. (2020)
1	9/26/17	JBC	UPDATE TO 6TH ED. (2017)

DATE: 3/31/15
 SCALE: N.T.S.
 DWG. BY: JK
 CHK. BY: LFS
 DRAWING NO.: FL-15260.13
 SHEET 4 OF 4