



5200 W. CENTURY BLVD.
LOS ANGELES, CA 90045

**Smooth / Wood Grain / White Wood Grain
Rustic / Mahogany
Series Fiberglass Door
INSWING / OUTSWING
"IMPACT"**

GENERAL NOTES

1. This product has been evaluated and is in compliance with the 2010 Florida Building Code (FBC) structural requirements excluding the "High Velocity Hurricane Zone" (HVHZ).
2. Product anchors shall be as listed and spaced as shown on details. Anchor embedment to base material shall be beyond wall dressing or stucco.
3. When used in areas requiring wind borne debris protection this product complies with Section 1609.1.2 of the FBC and does not require an impact resistant covering. This product meets missile level "D" and includes Wind Zone 4 as defined in ASTM E1996 and Section 1609.1.2.4 of the FBC. The sidelite must be protected with an impact resistant covering that complies with Section 1609.1.2.
4. For 2x stud framing construction, anchoring of these units shall be the same as that shown for 2x buck masonry construction.
5. Site conditions that deviate from the details of this drawing require further engineering analysis by a licensed engineer or registered architect.

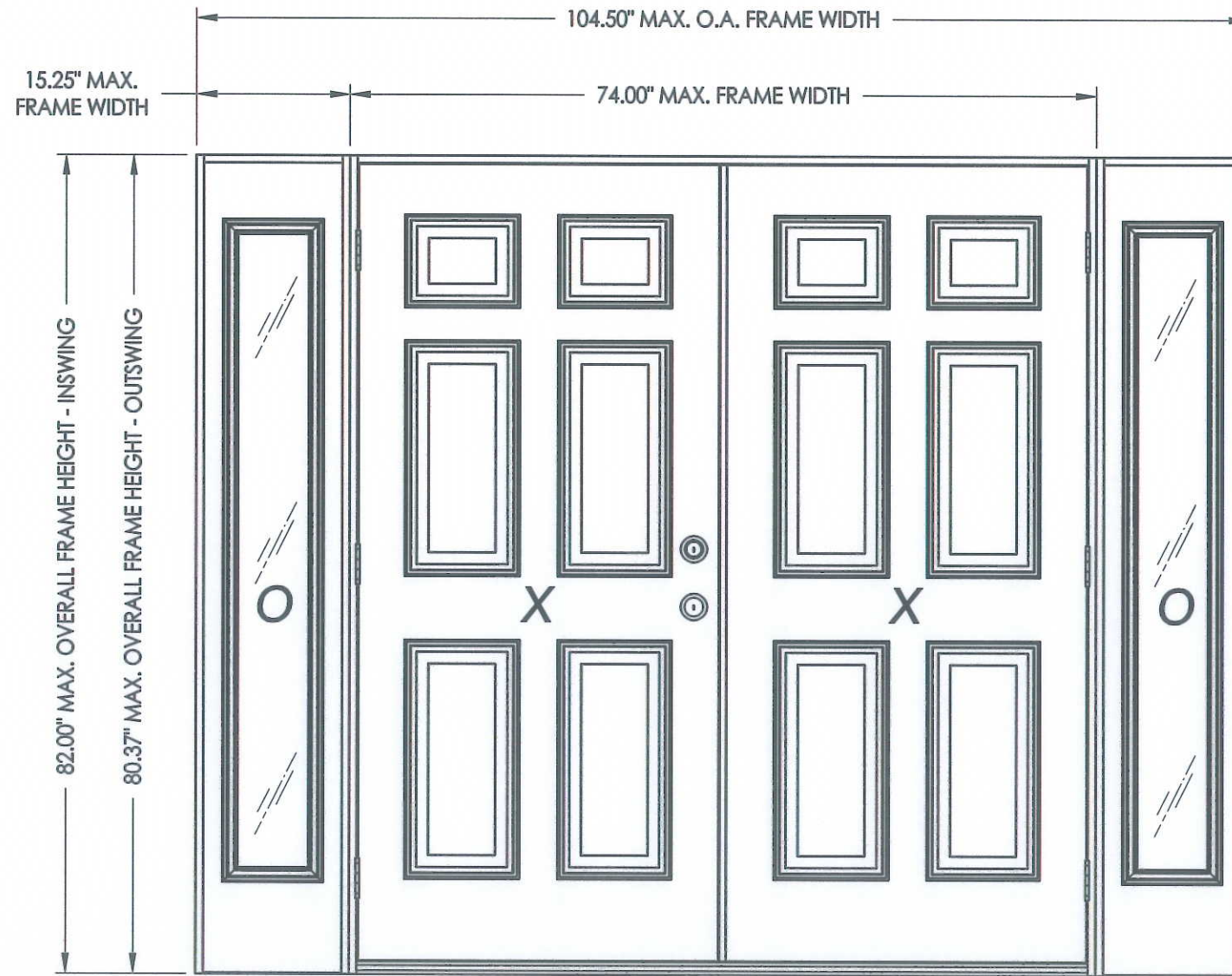


TABLE OF CONTENTS	
SHEET #	DESCRIPTION
1	Typical elevation, design pressures, & general notes
2	Door panel details
3	Sidelite panel details
4	Horizontal cross sections
5	Vertical cross sections
6	Vertical cross sections
7	Buck and frame anchoring - 2X buck masonry construction
8	Frame anchoring - 1X buck masonry construction
9	Astragal details
10	Bill of materials, components & glazing detail

SWING	OVERALL FRAME DIMENSION	SIDELITE D.L.O. DIMENSION	GLASS TYPE	DESIGN PRESSURE (PSF)	
				POSITIVE	NEGATIVE
INSWING	104.50" x 82.00"	7.00" x 63.00"	G1	+50.0	-50.0
OUTSWING	104.50" x 80.37"	7.00" x 63.00"			

Documents Prepared By: **RW** BUILDING CONSULTANTS, INC.
P.O. Box 230 Valrico FL 33595
Phone No.: 813.659.9197
Florida Board of Professional Engineers
Certificate Of Authorization No. 9813
2.7.12
Lyndon F. Schmidt, P.E. No. 43409

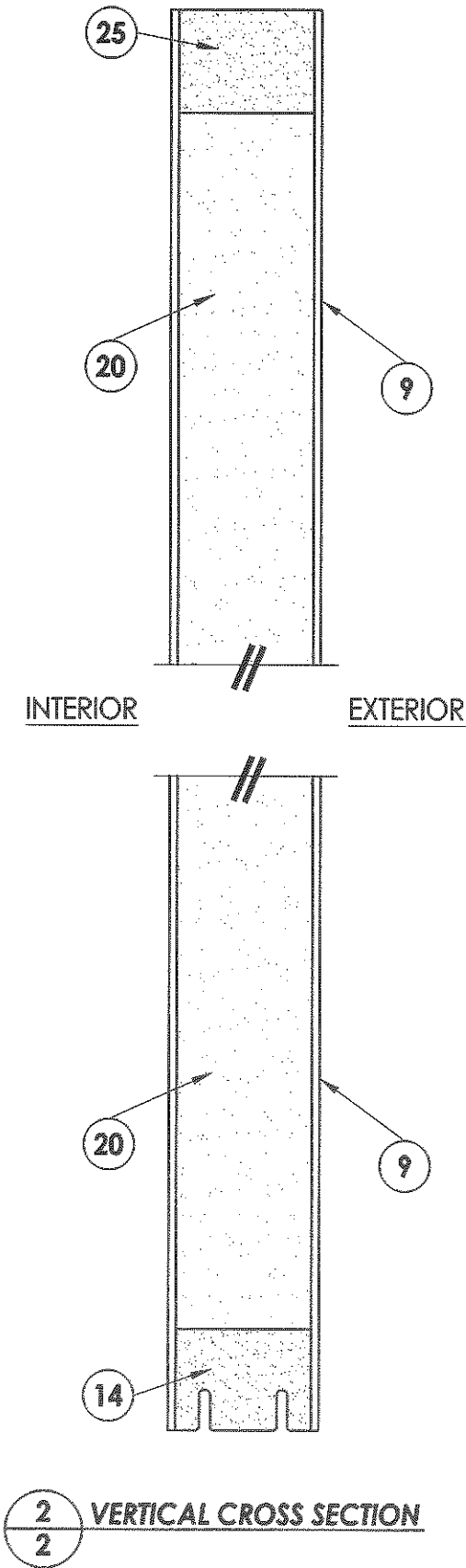
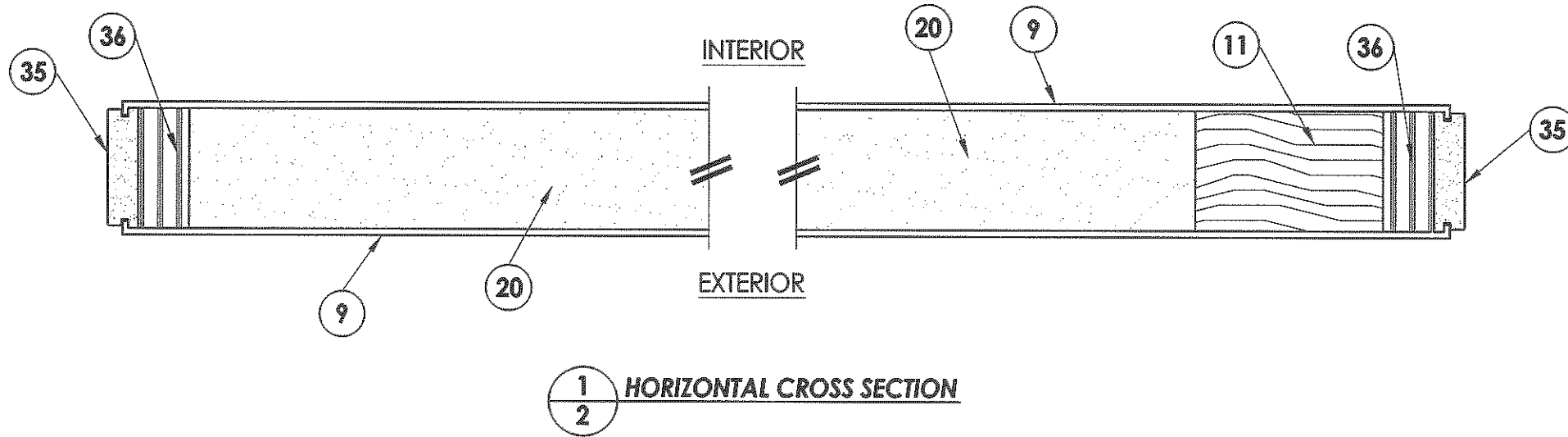
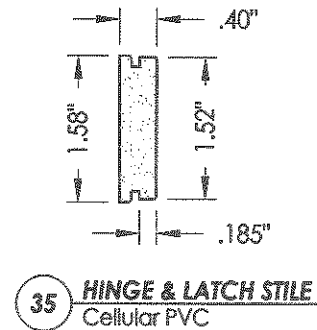
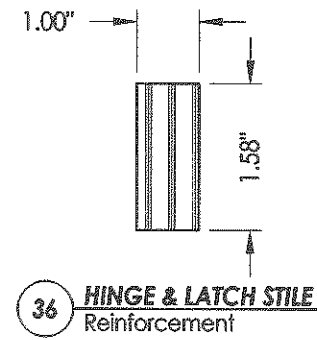
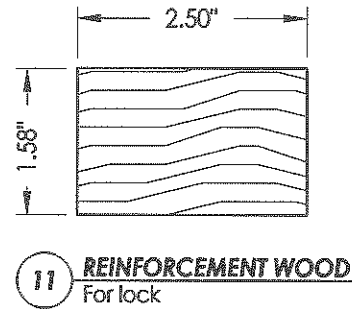
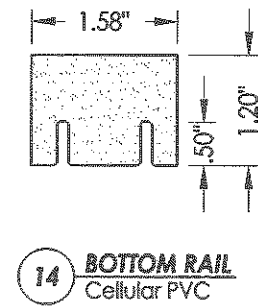
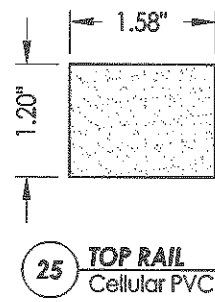
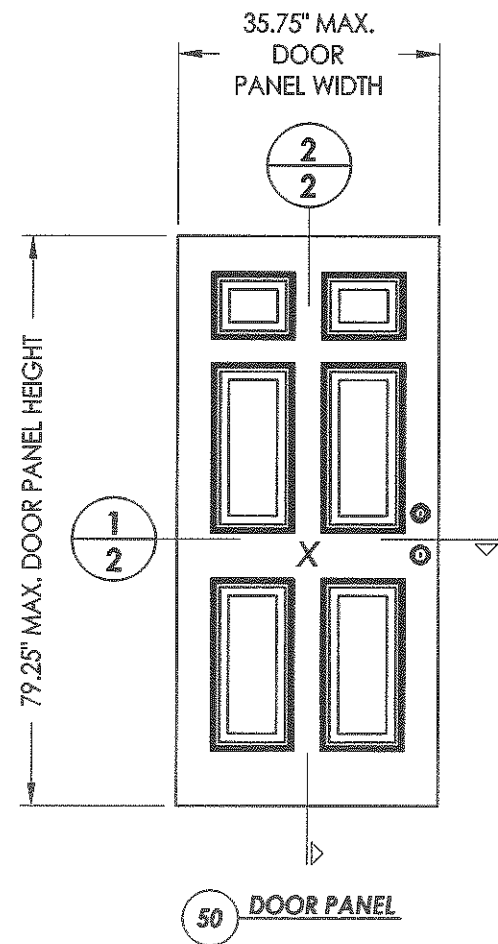
PRODUCT: PLASTPRO INC. FIBERGLASS DOOR
PART OR ASSEMBLY: TYPICAL ELEVATION, DESIGN PRESSURE & GENERAL NOTES

NO.	DATE	BY	REVISIONS

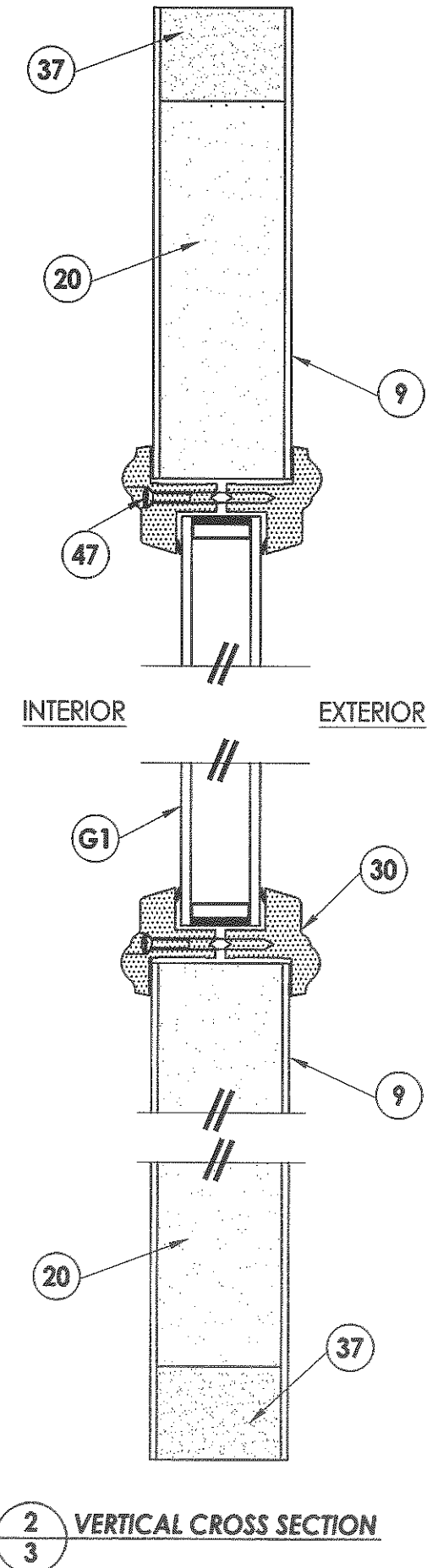
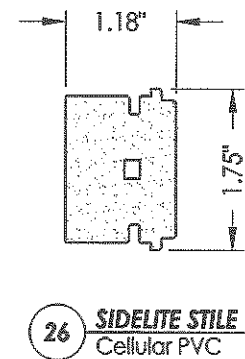
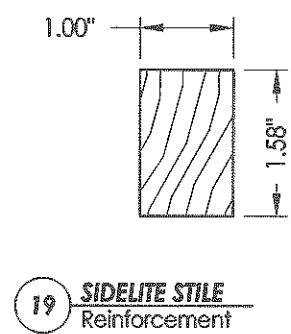
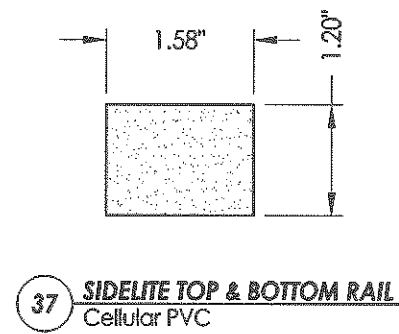
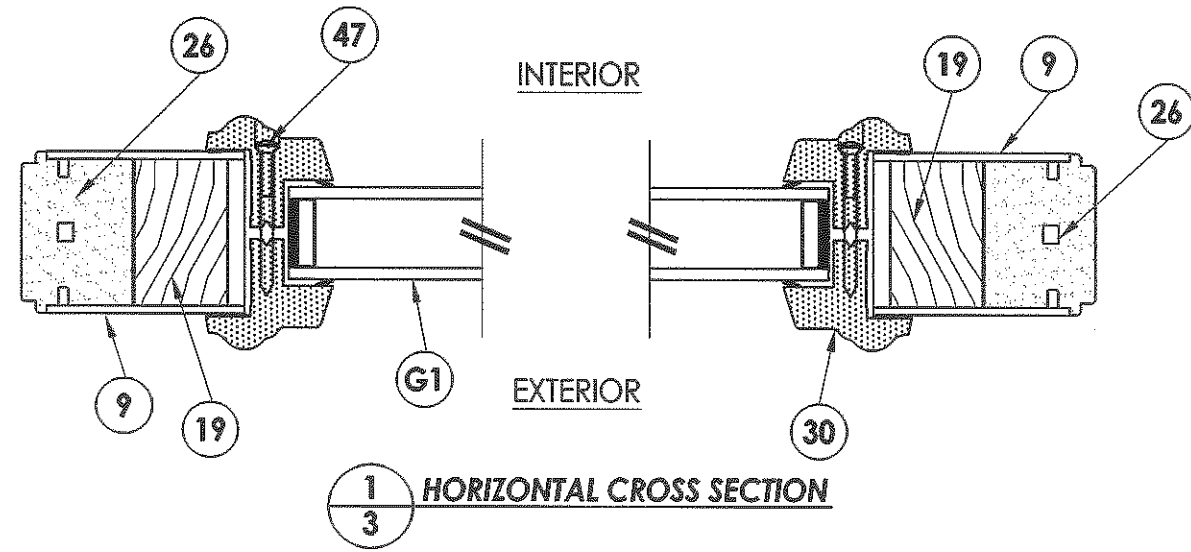
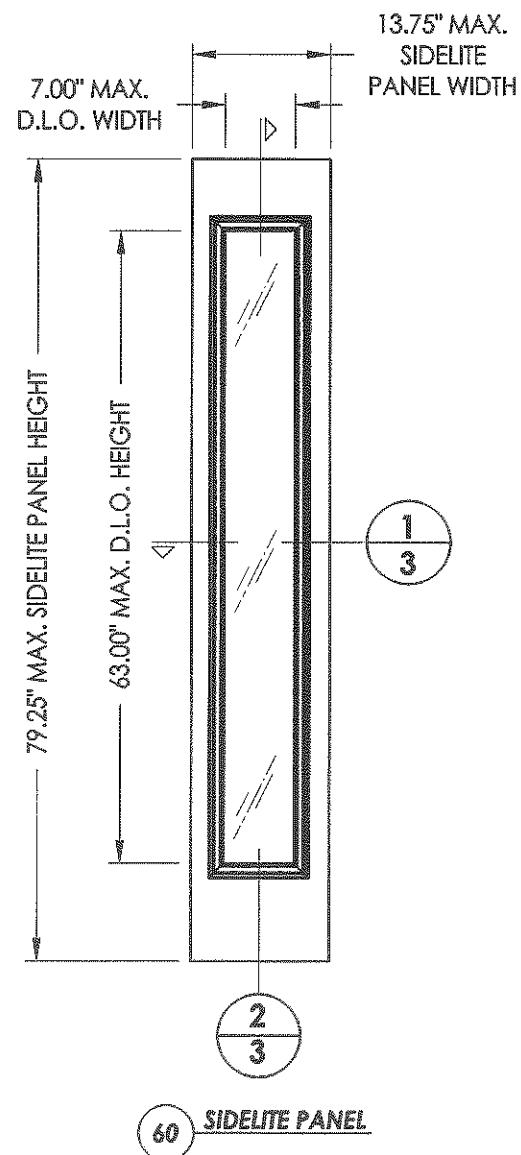
DATE: 02/16/12
SCALE: N.T.S.
DWG. BY: JK
CHK. BY: LFS
DRAWING NO.: FL-15213.8
SHEET 1 OF 10

© 2012 R.W. BUILDING CONSULTANTS INC.

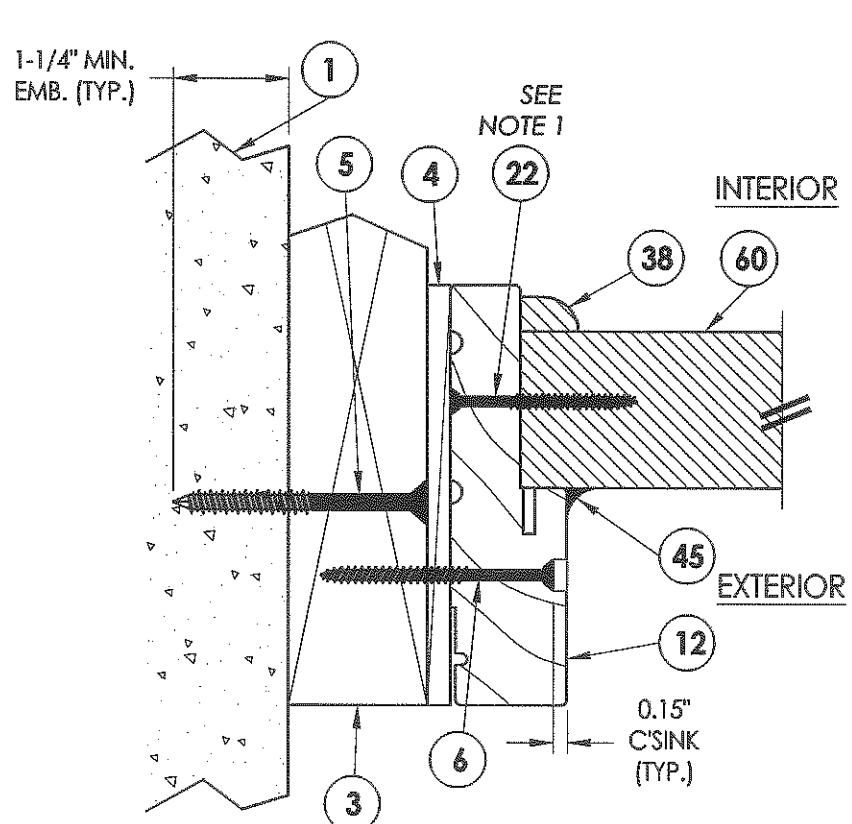
R:\A - Projects\Project Folders\proj 1501 - 1600\PF 1587\D. RWBC Drawings\2010\FL-15213.1-8.dwg, FL-15213.8



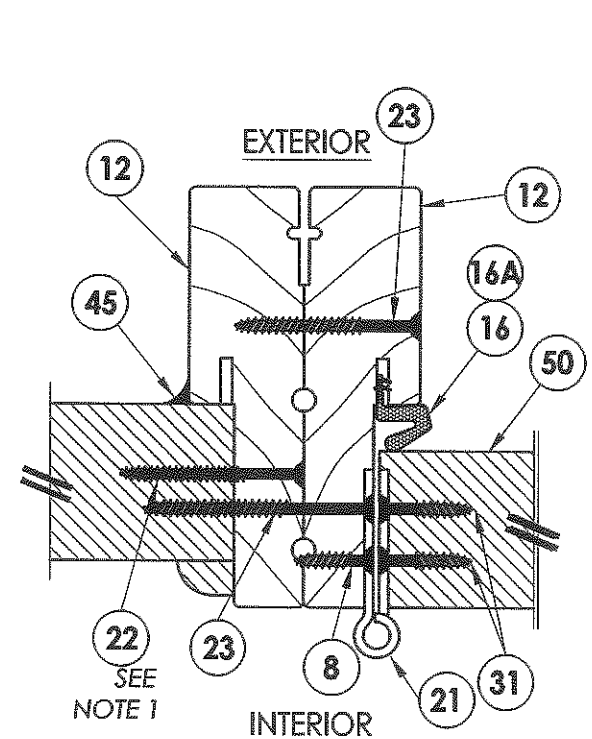
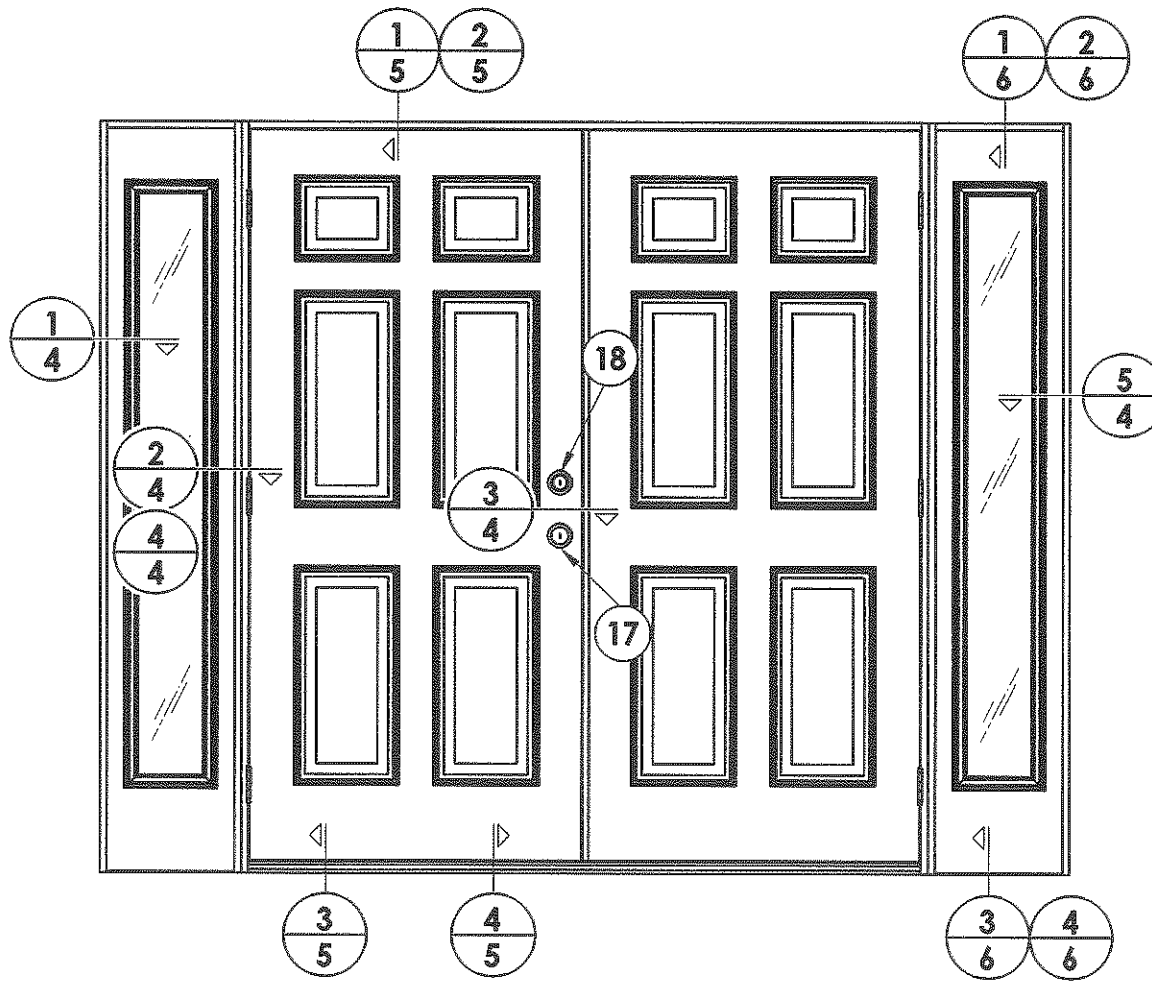
Documents Prepared By:		RW BUILDING CONSULTANTS, INC. P.O. Box 230 Vairico FL 33595 Phone No.: 813.659.9197 Florida Board of Professional Engineers Certificate Of Authorization No. 9813 <i>LFS</i> 2-17-12 Lyndon F. Schmidt, P.E. No. 43409	
PRODUCT:	PLASTPRO INC. FIBERGLASS DOOR	NO.	DATE
PART OR ASSEMBLY:	DOOR PANEL DETAILS	BY	
		REVISIONS	
		NO.	DATE
		BY	
DATE: 02/16/12			
SCALE: N.T.S.			
DWG. BY: JK			
CHK. BY: LFS			
DRAWING NO.: FL-15213.8			
SHEET 2 OF 10			



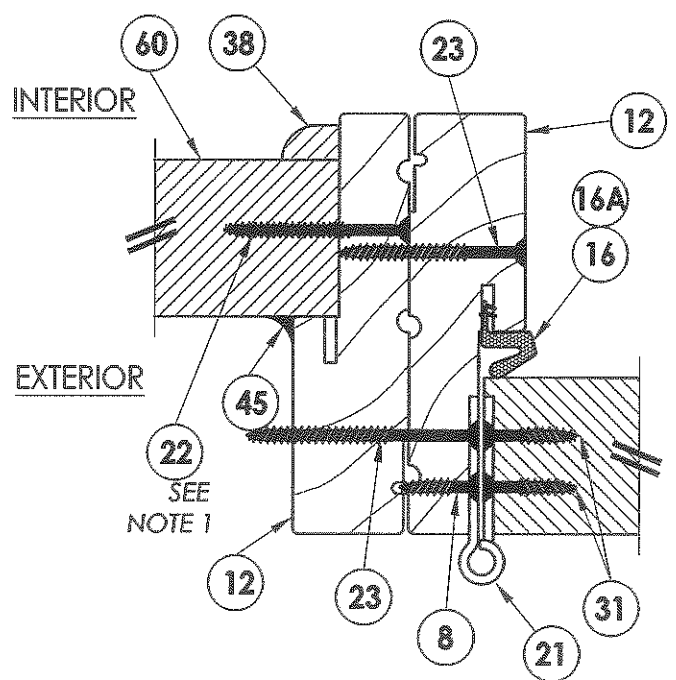
Documents Prepared By:		RW BUILDING CONSULTANTS, INC. P.O. Box 230 Valrico FL 33595 Phone No.: 813.659.9197 Florida Board of Professional Engineers Certificate Of Authorization No. 9813 LFS 2.7.12 Lyndon F. Schmidt, P.E. No. 43409	
PRODUCT:	PLASTPRO INC. FIBERGLASS DOOR	NO.	DATE
PART OR ASSEMBLY:	SIDELITE PANEL DETAILS	BY	REVISIONS
		NO.	DATE
		BY	REVISIONS
DATE: 02/16/12		SCALE: N.T.S.	
DWG. BY: JK		CHK. BY: LFS	
DRAWING NO.: FL-15213.8		SHEET 3 OF 10	



1
4 HORIZONTAL CROSS SECTION
Outswing shown - inswing also approved

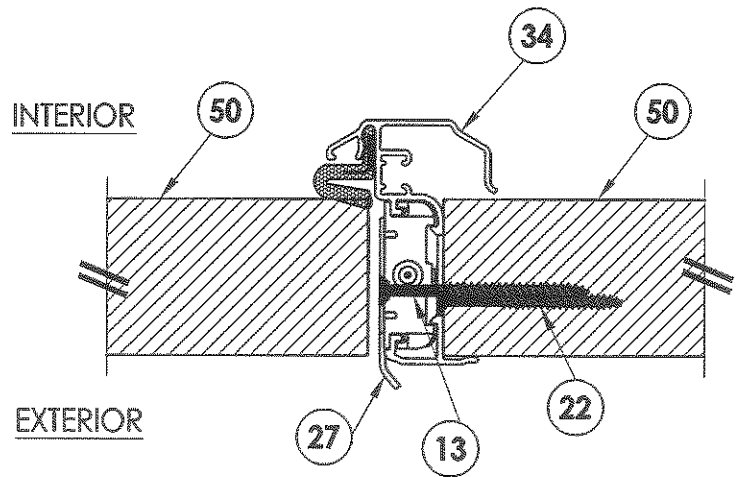


4
4 HORIZONTAL CROSS SECTION
Inswing configuration

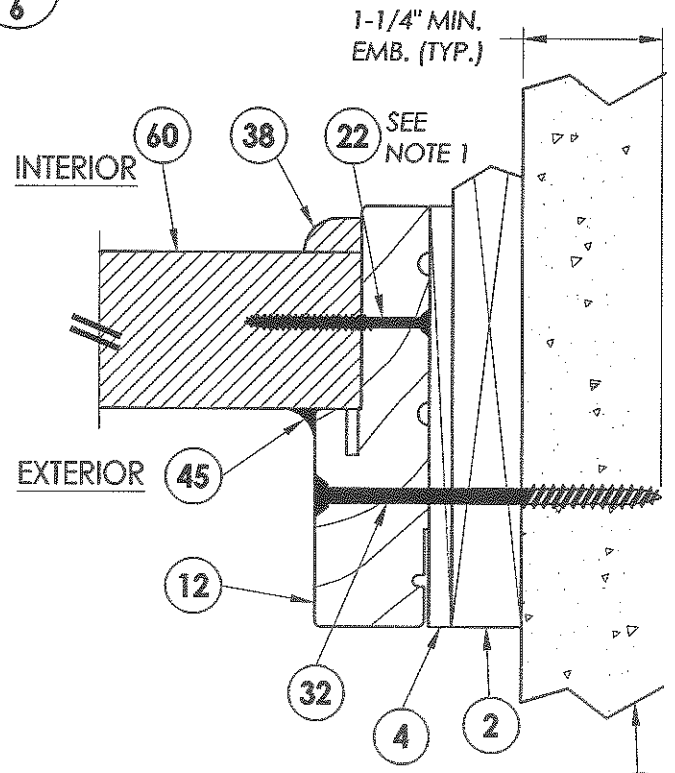


2
4 HORIZONTAL CROSS SECTION
Outswing configuration

NOTE:
1. Sidelite panel secured to the sidelite frame with (4) of item #22 located 10", 30.5", 51" and 71.5" from top of each jamb and (2) of item #22 in the head and sill 3" from each end



3
4 HORIZONTAL CROSS SECTION
Outswing shown - inswing also approved



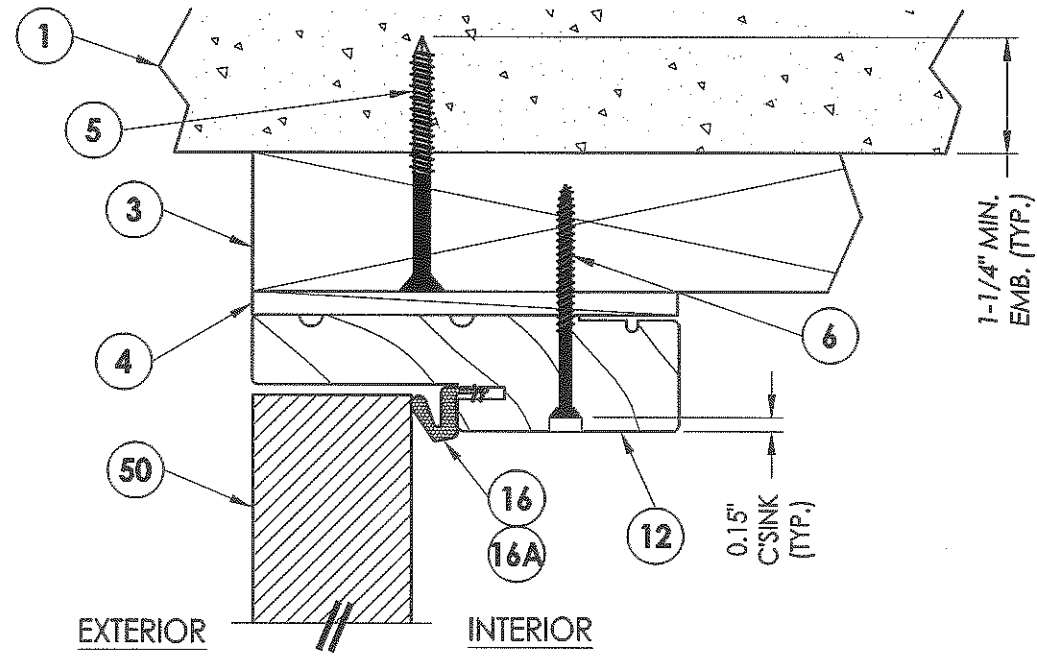
5
4 HORIZONTAL CROSS SECTION
Shown w/1X sub-buck

Documents Prepared By: **RW** BUILDING CONSULTANTS, INC.
P.O. Box 230 Valrico FL, 33595
Phone No.: 813.659.9197
Florida Board of Professional Engineers
Certificate Of Authorization No: 9613
Lyndon F. Schmidt, P.E. No. 43409

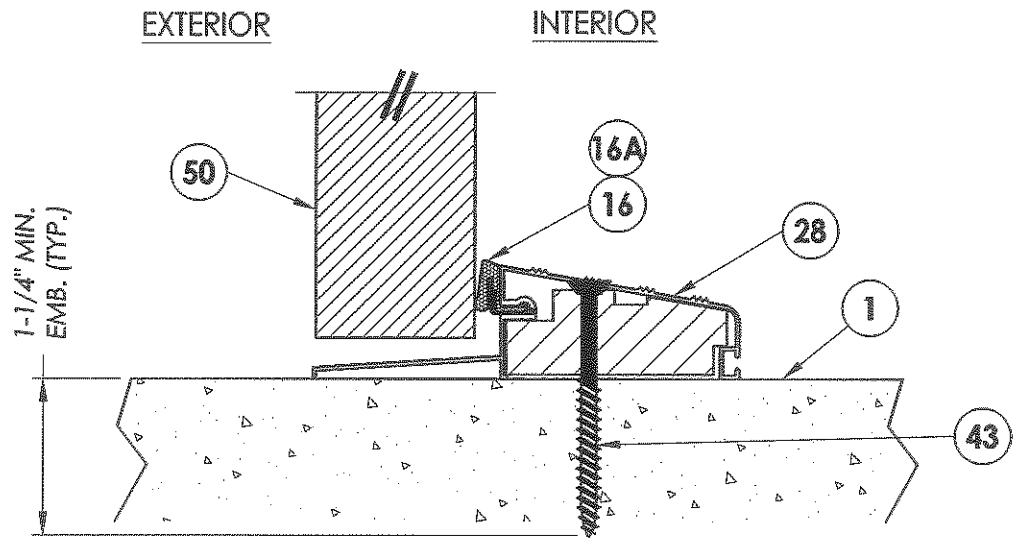
DATE: 02/16/12
SCALE: N.T.S.
DWG. BY: JK
CHK. BY: LFS
DRAWING NO.: FL-15213.8
SHEET 4 OF 10

NO.	DATE	REVISIONS	BY

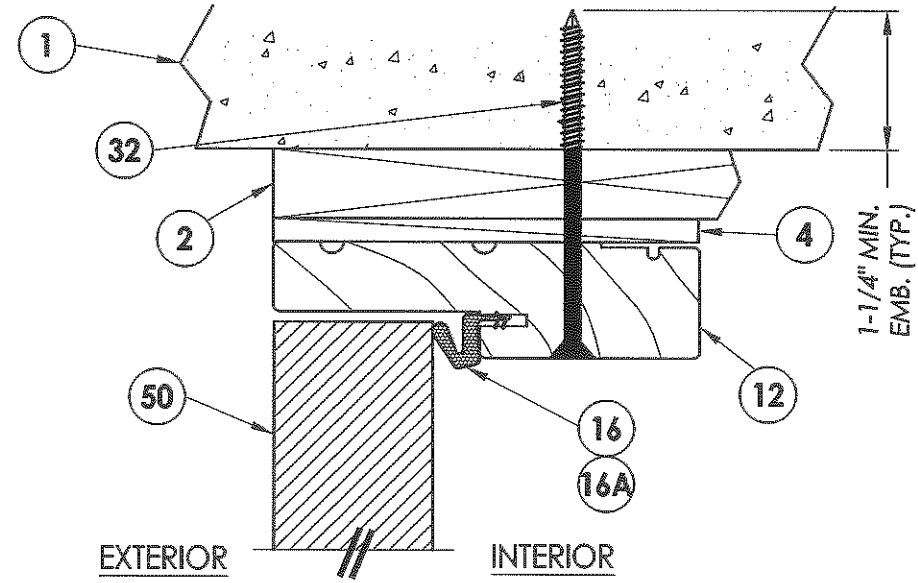
PRODUCT: PLASTPRO INC. FIBERGLASS DOOR
PART OR ASSEMBLY: HORIZONTAL CROSS SECTIONS



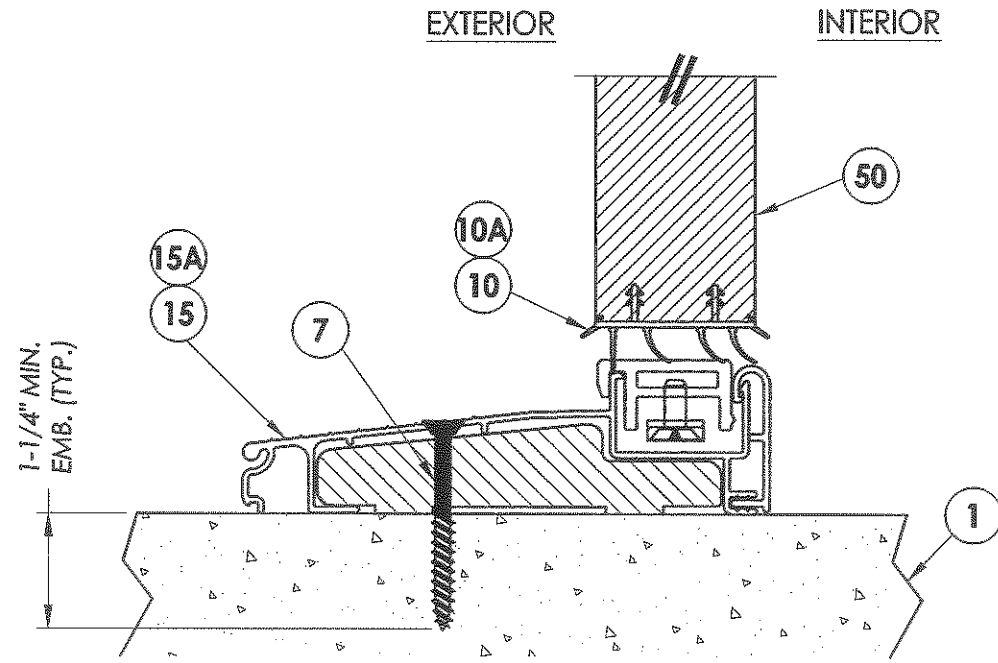
1 VERTICAL CROSS SECTION
5 Outswing shown - inswing also approved



3 VERTICAL CROSS SECTION
5 Outswing configuration



2 VERTICAL CROSS SECTION
5 Shown w/1X sub-buck



4 VERTICAL CROSS SECTION
5 Inswing configuration

PRODUCT:

PLASTPRO INC.
 FIBERGLASS DOOR

PART OR ASSEMBLY:

VERTICAL CROSS SECTIONS

NO.	DATE	BY	REVISIONS

DATE: 02/16/12

SCALE: N.T.S.

DWG. BY: JK

CHK. BY: LFS

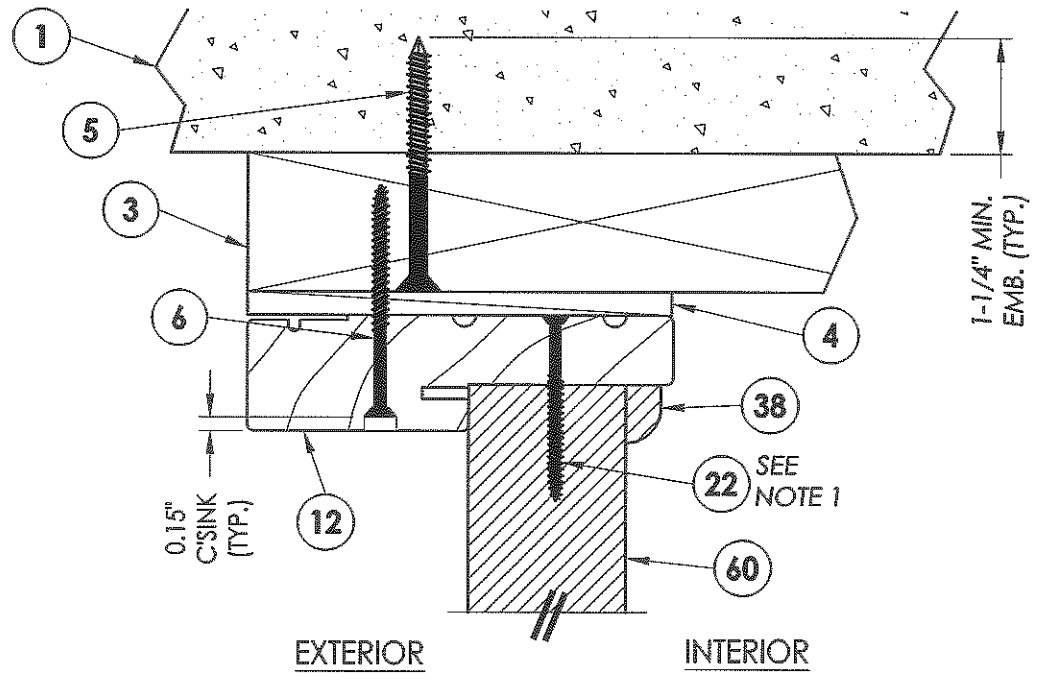
DRAWING NO.:

FL-15213.8

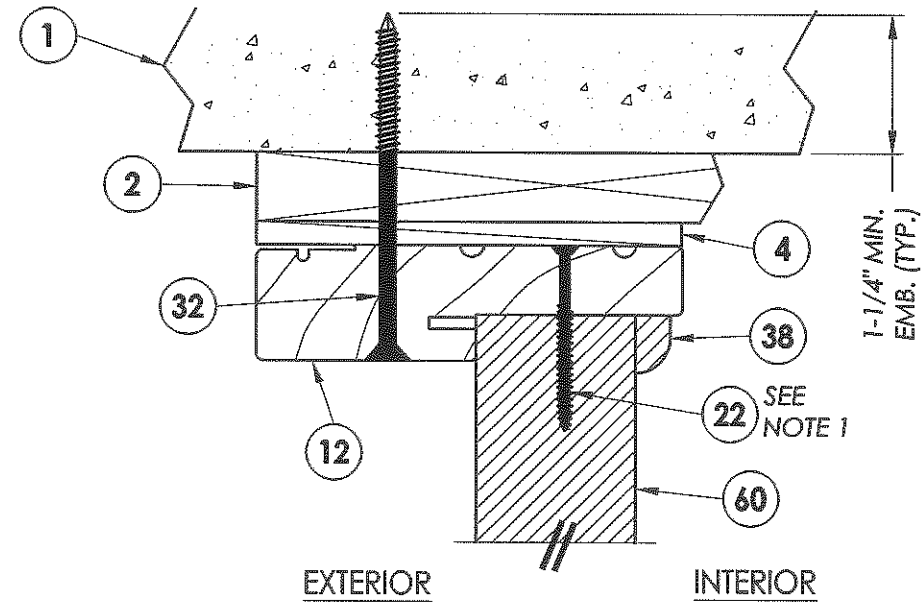
SHEET 5 OF 10

Documents Prepared By:

RW BUILDING CONSULTANTS, INC.
 P.O. Box 230 Vainco FL 33585
 Phone No.: 813.659.9197
 Florida Board of Professional Engineers
 Certificate Of Authorization No. 9813
 Lyndon F. Schmidt, P.E. No. 43409

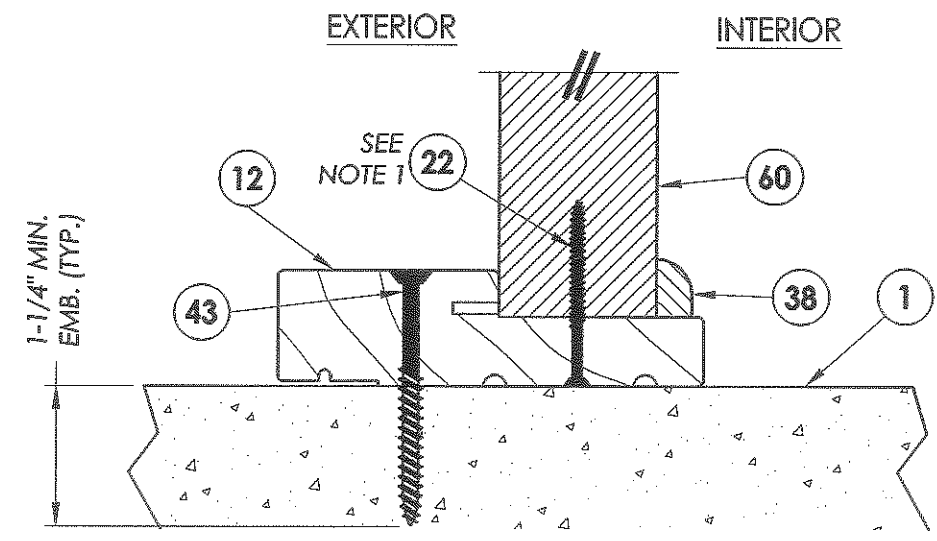


1 VERTICAL CROSS SECTION
 6 Outswing shown - inswing also approved

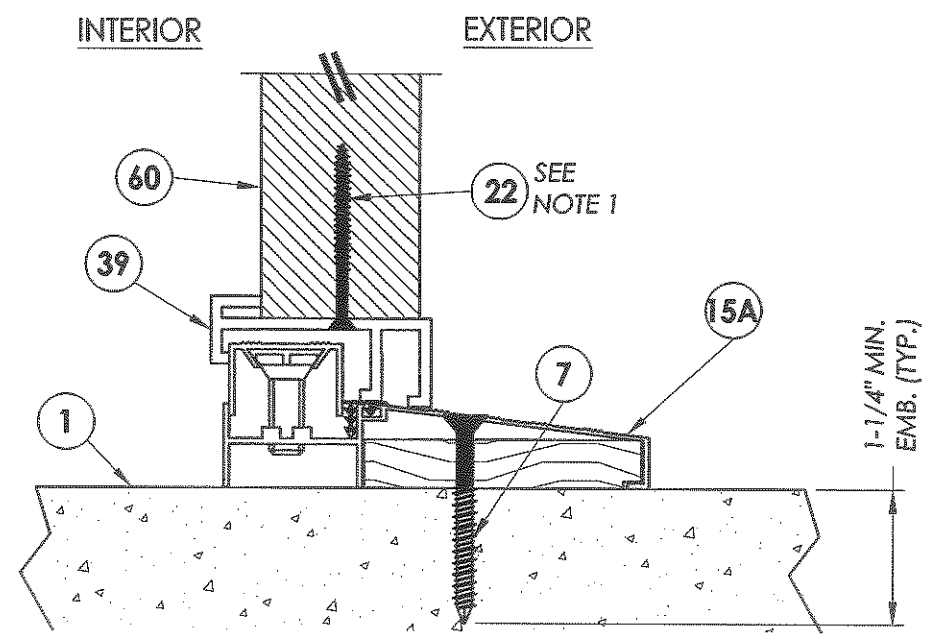


2 VERTICAL CROSS SECTION
 6 Shown w/1X sub-buck

NOTE:
 1. Sidelite panel secured to the sidelite frame with (4) of item #22 located 10", 30.5", 51" and 71.5" from top of each jamb and (2) of item #22 in the head and sill 3" from each end

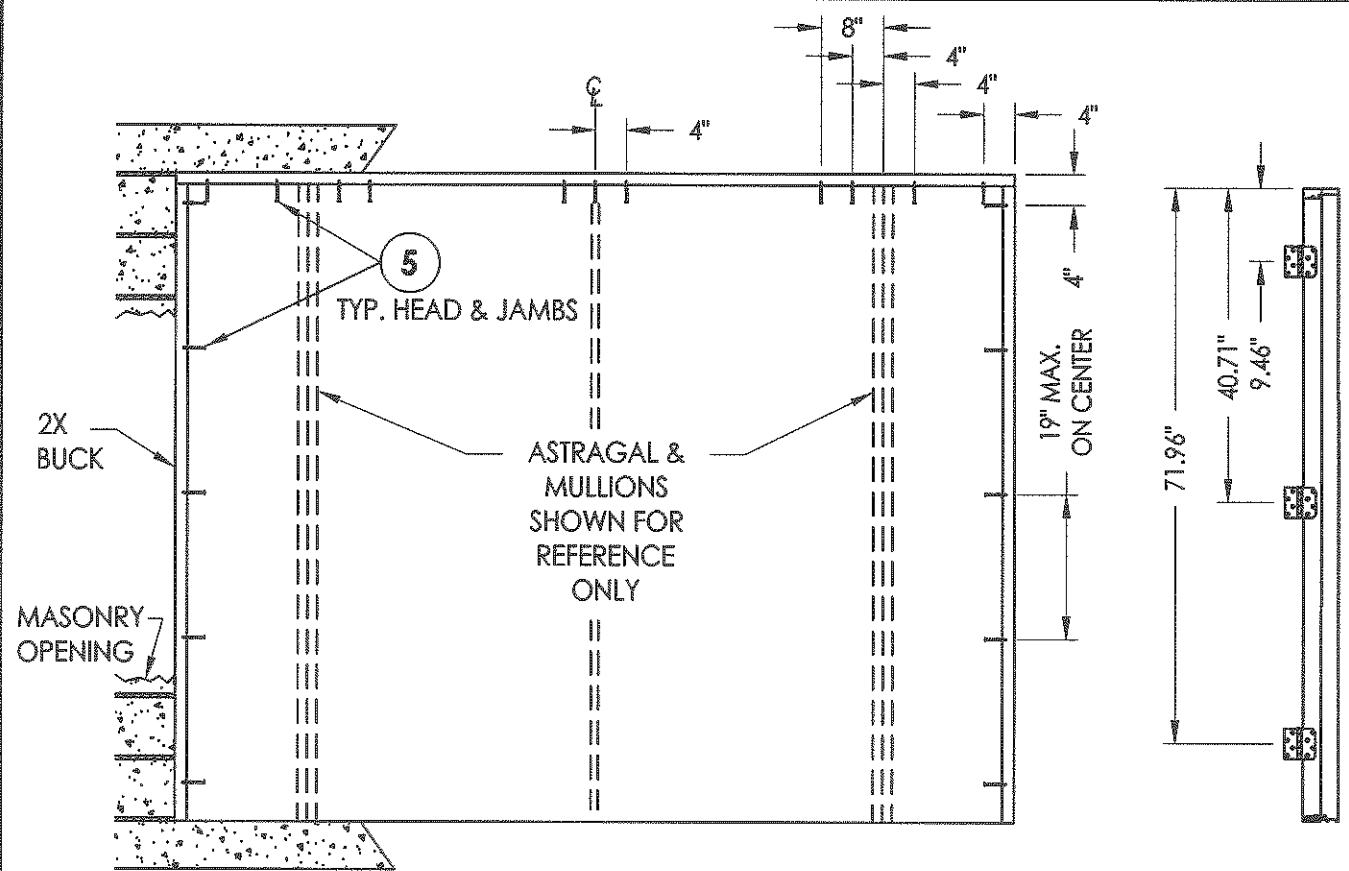


3 VERTICAL CROSS SECTION
 6 Outswing configuration

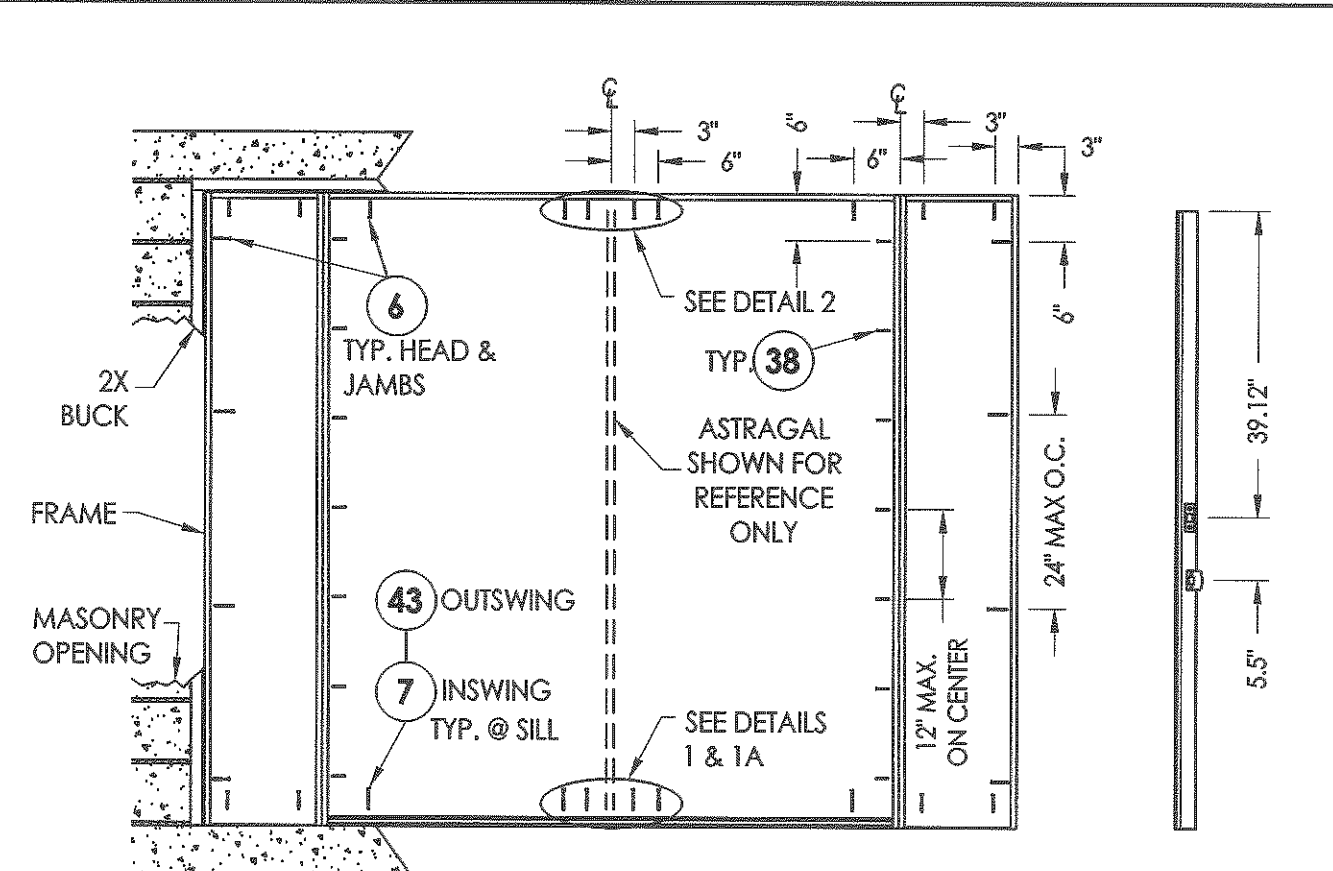


4 VERTICAL CROSS SECTION
 6 Inswing configuration

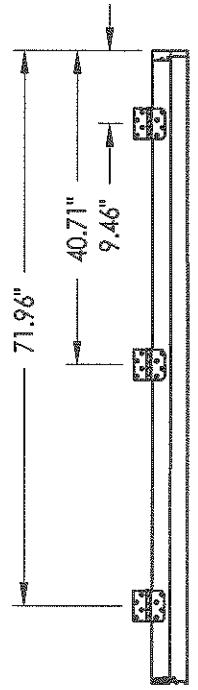
Documents Prepared By:		RW BUILDING CONSULTANTS, INC. P.O. Box 230 Valrico FL, 33595 Phone No.: 813.659.9197 Florida Board of Professional Engineers Certificate Of Authorization No. 9813 LFS 2.7.12 Lyndon F. Schmidt, P.E. No. 43409	
PRODUCT:	PLASTPRO INC. FIBERGLASS DOOR	NO.	DATE
PART OR ASSEMBLY:	VERTICAL CROSS SECTIONS	BY	REVISIONS
		NO.	DATE
		BY	REVISIONS
DATE: 02/16/12		SCALE: N.T.S.	
DWG. BY: JK		CHK. BY: LFS	
DRAWING NO.: FL-15213.8		SHEET 6 OF 10	



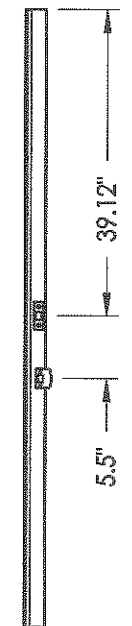
BUCK ANCHORING



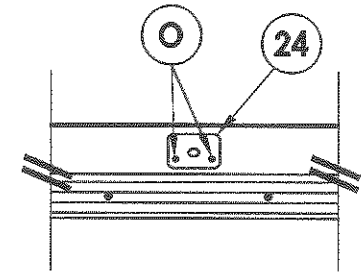
FRAME ANCHORING
Masonry 2X buck construction



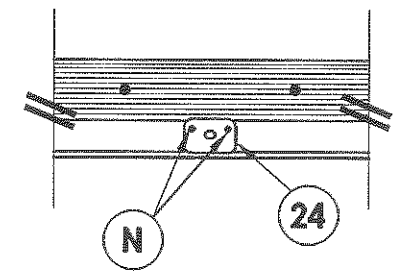
HINGE JAMB



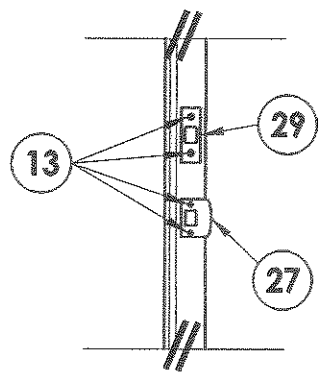
ASTRAGAL STRIKE JAMB



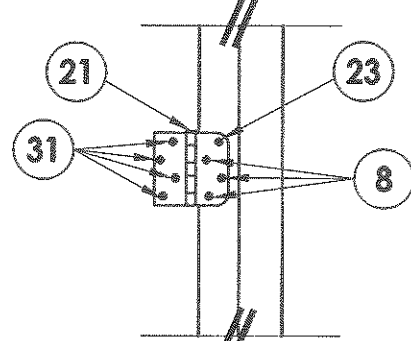
DETAIL 1A
Outswing configuration



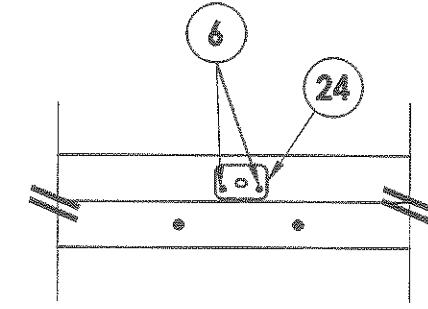
DETAIL 1
Inswing configuration



LATCH & DEADBOLT DETAIL



HINGE DETAIL



DETAIL 2

CONCRETE ANCHOR NOTES:

1. Substitution of equal concrete anchors from a different supplier may have different edge distance and center distance requirements.
2. Concrete anchor locations at the corners may be adjusted to maintain the min. edge distance to mortar joints. If concrete anchor locations noted as "MAX. ON CENTER" must be adjusted to maintain the min. edge distance to mortar joints, additional concrete anchors may be required to ensure the "MAX. ON CENTER" dimensions are not exceeded.
3. Concrete anchor table:

ANCHOR TYPE	ANCHOR SIZE	MIN. EMBEDMENT	MIN. CLEARANCE TO MASONRY EDGE	MIN. CLEARANCE TO ADJACENT ANCHOR
ITW	1/4"	1-1/4"	2-1/2"	3"
ELCO	1/4"	1-1/4"	1"	4"
ITW	3/16"	1-1/4"	2-5/8"	2-1/4"

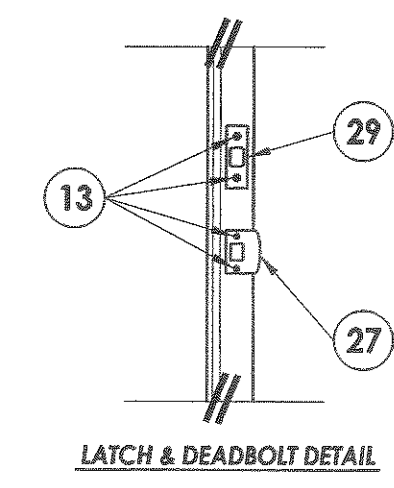
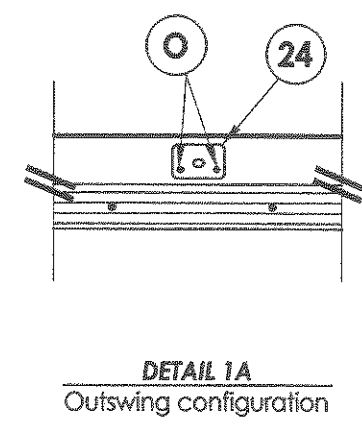
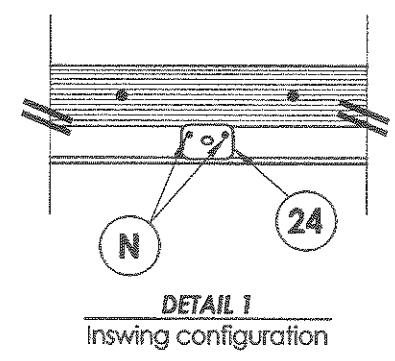
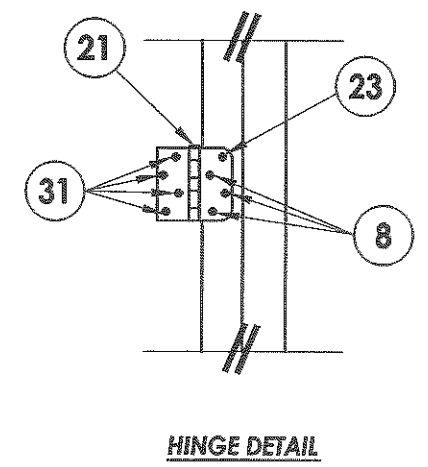
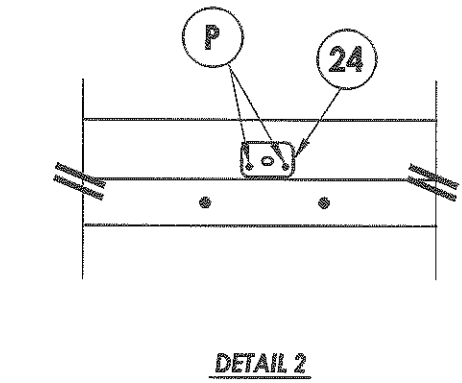
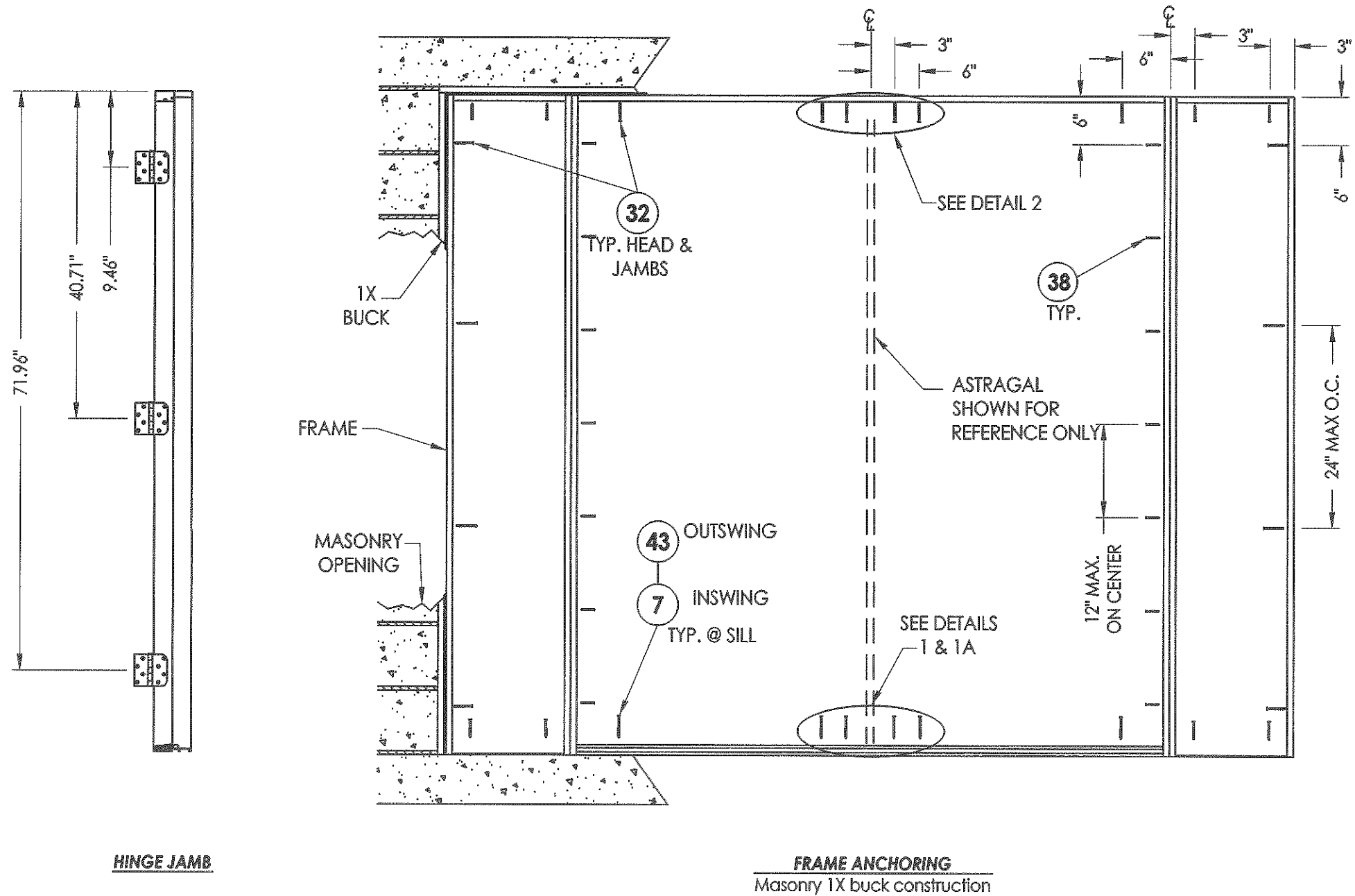
Documents Prepared By: **R.W. BUILDING CONSULTANTS, INC.**
 P.O. Box 250 Valrico FL 33595
 Phone No.: 813.658.9197
 Florida Board of Professional Engineers
 Certificate of Authorization No. 9813
 2.17.12
 Lyndon F. Schmidt, P.E. No. 43409

PRODUCT: PLASTIPRO INC. FIBERGLASS DOOR
PART OR ASSEMBLY: BUCK & FRAME ANCHORING 2X BUCK MASONRY CONSTRUCTION

NO.	DATE	BY	REVISIONS

DATE: 02/16/12
 SCALE: N.T.S.
 DWG. BY: JK
 CHK. BY: LFS
 DRAWING NO.: FL-15213.8
 SHEET 7 OF 10

© 2012 R.W. BUILDING CONSULTANTS INC.



CONCRETE ANCHOR NOTES:

1. Substitution of equal concrete anchors from a different supplier may have different edge distance and center distance requirements.
2. Concrete anchor locations at the corners may be adjusted to maintain the min. edge distance to mortar joints. If concrete anchor locations noted as "MAX. ON CENTER" must be adjusted to maintain the min. edge distance to mortar joints, additional concrete anchors may be required to ensure the "MAX. ON CENTER" dimensions are not exceeded.
3. Concrete anchor table:

ANCHOR TYPE	ANCHOR SIZE	MIN. EMBEDMENT	MIN. CLEARANCE TO MASONRY EDGE	MIN. CLEARANCE TO ADJACENT ANCHOR
ITW	1/4"	1-1/4"	2-1/2"	3"
ITW	3/16"	1-1/4"	2-5/8"	2-1/4"

Documents Prepared By: **RW BUILDING CONSULTANTS, INC.**
 P.O. Box 230 Vairico FL 33595
 Phone No.: 813.659.9197
 Florida Board of Professional Engineers
 Certificate of Authorization No. 9813
 Lyndon F. Schmidt, P.E. No. 43409

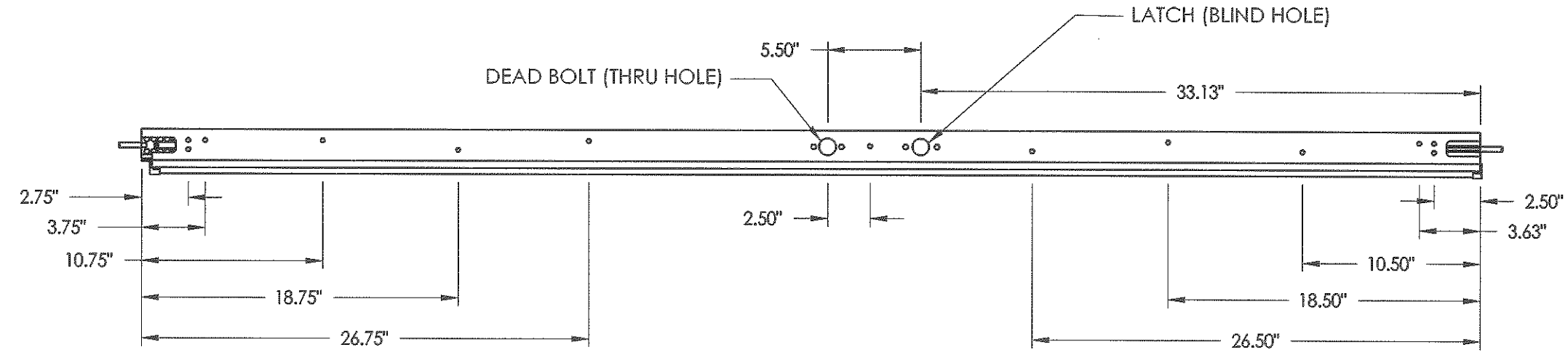
PRODUCT: **PLASTPRO INC. FIBERGLASS DOOR**
 PART OR ASSEMBLY: **FRAME ANCHORING 1X BUCK MASONRY CONSTRUCTION**

NO.	DATE	BY	REVISIONS

DATE: 02/16/12
 SCALE: N.T.S.
 DWG. BY: JK
 CHK. BY: LFS
 DRAWING NO.: FL-15213.8
 SHEET 8 OF 10

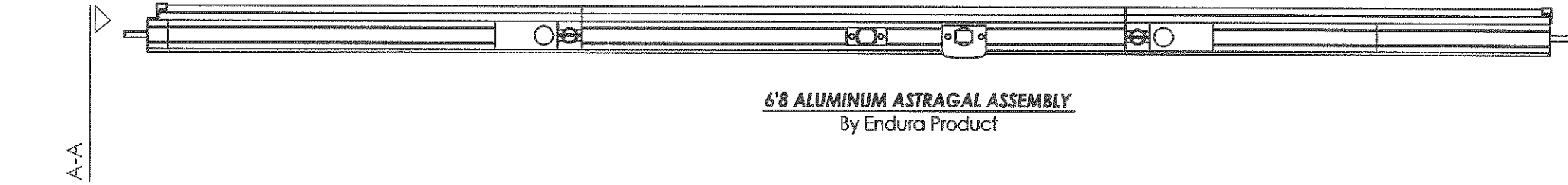
© 2012 R.W. BUILDING CONSULTANTS INC.

R:\A - Projects\Project Folders\proj 1501 - 1600\PF 1587\D. RWBC Drawings\2010\FL-15213.1-8.dwg, 9.8

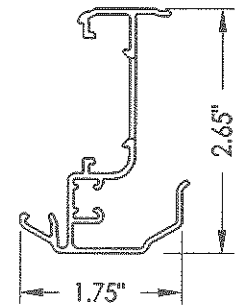


TOP

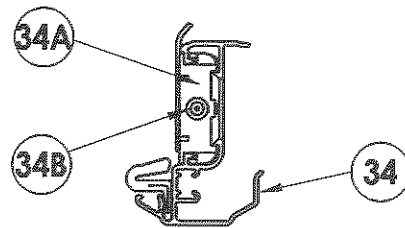
BOTTOM



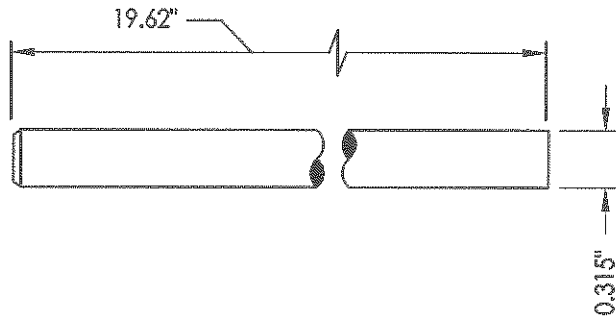
6'8" ALUMINUM ASTRAGAL ASSEMBLY
By Endura Product



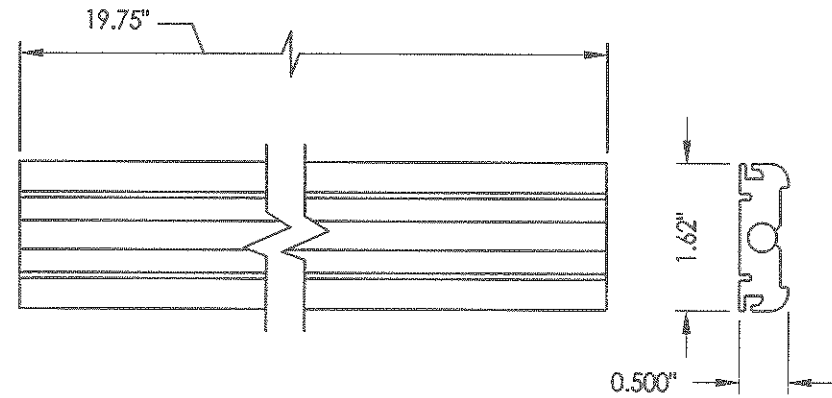
34 ALUMINUM ASTRAGAL
BY ENDURA PRODUCTS



VIEW A-A
Aluminum Astragal Assembly



34B SLIDE BOLT ROD



34A BOLT RET.
TOP / BOTTOM

PRODUCT:	PLASTPRO INC.
	FIBERGLASS DOOR
PART OR ASSEMBLY:	ASTRAGAL DETAILS

NO.	DATE	BY

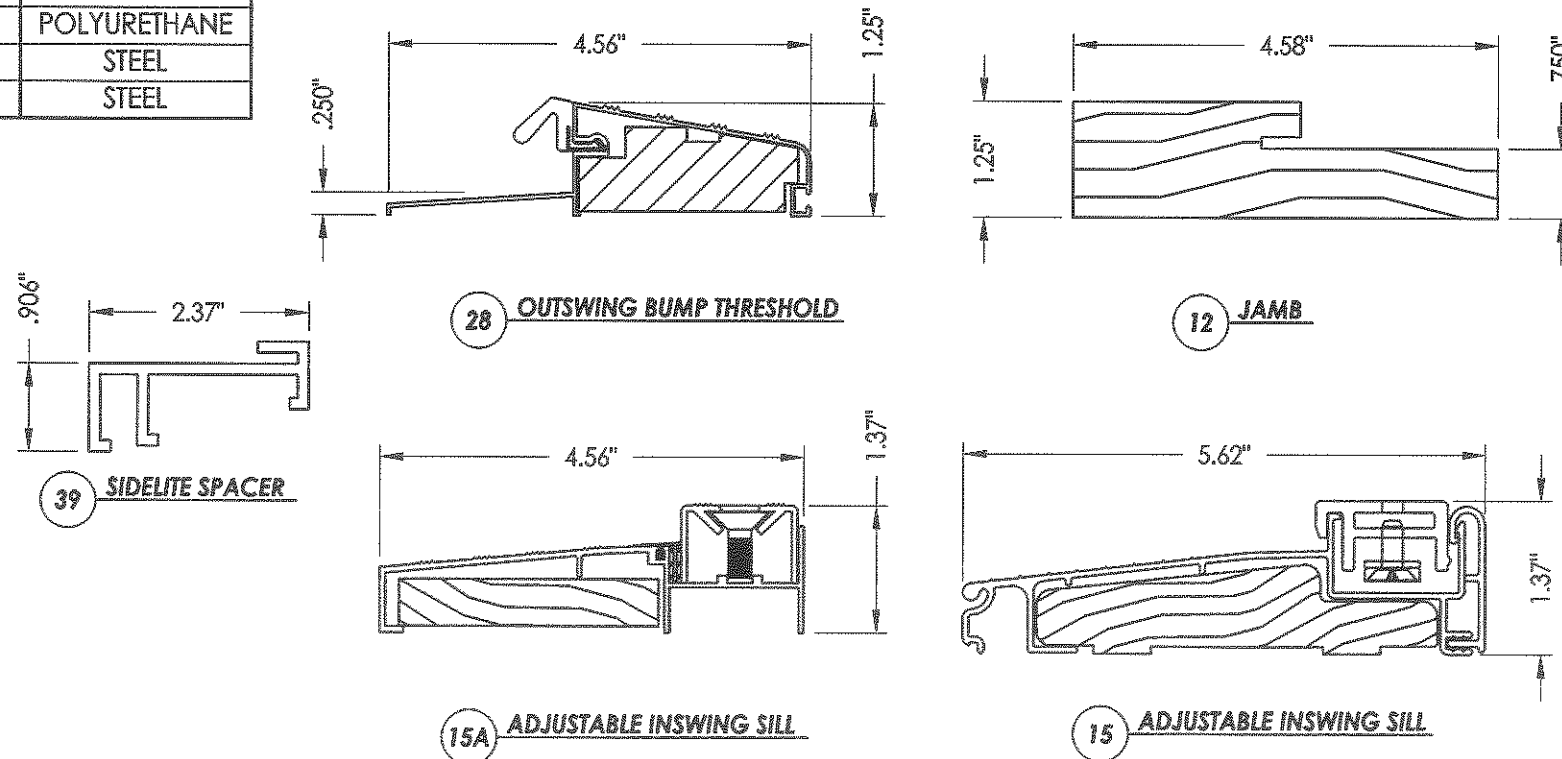
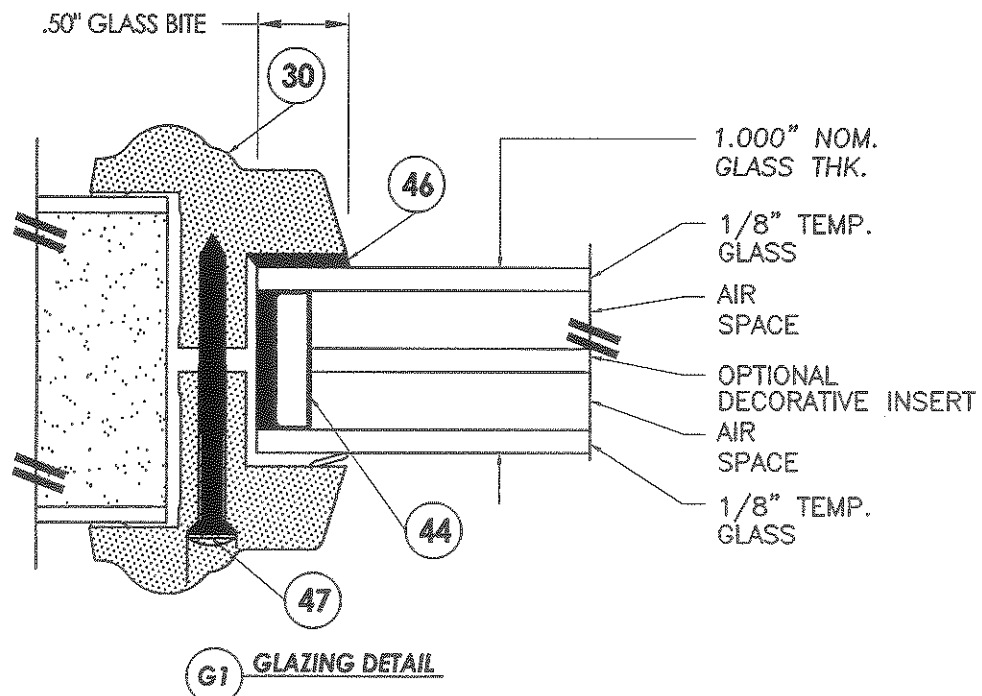
DATE:	02/16/12
SCALE:	N.T.S.
DWG. BY:	JK
CHK. BY:	LFS
DRAWING NO.:	FL-15213.8
SHEET	9 OF 10

Documents Prepared By:
RW BUILDING CONSULTANTS, INC.
P.O. Box 230 Valrico FL, 33595
Phone No.: 813.659.9197
Florida Board of Professional Engineers
Certificate Of Authorization No. 9813
Lyndon F. Schmidt, P.E. No. 43409
LRW 2-17-12

R:\A - Projects\Project Folders\proj 1501 - 1600\PF 1587\DWBC Drawings\2010\FL-15213.1--8.dwg, 10.8

BILL OF MATERIALS

ITEM	DESCRIPTION	MATERIAL	ITEM	DESCRIPTION	MATERIAL
N	3/16" X 3-1/2" PFH ITW CONCRETE SCREW	STEEL	23	#9 x 2" PFH WOOD SCREW	STEEL
O	3/16" X 1-1/2" PFH ITW CONCRETE SCREW	STEEL	24	FLUSH BOLT STRIKE PLATE	STEEL
P	3/16" X 3-1/4" PFH ITW CONCRETE SCREW	STEEL	25	TOP RAIL	CELLULAR PVC
1	MASONRY - 3,192 PSI MIN. CONCRETE CONFORMING TO ACI 301 OR HOLLOW BLOCK CONFORMING TO ASTM C90	CONCRETE	26	SIDELITE STILE	CELLULAR PVC
2	1X BUCK SG >= 0.55	WOOD	27	STRIKE PLATE	STEEL
3	2X BUCK SG >= 0.55	WOOD	28	OUTSWING BUMP THRESHOLD	ALUM. / WOOD
4	1/4" MAX. SHIM SPACE	-	29	DEADBOLT STRIKE PLATE	STEEL
5	1/4" X 2-3/4" PFH ELCO OR ITW CONCRETE SCREW	STEEL	30	LIP LITE ODL/WESTERN REFLECTIONS HP	POLYPROPYLENE
6	#10 x 2-1/2" PFH WOOD SCREW	STEEL	31	#9 x 1" PFH WOOD SCREW	STEEL
7	1/4" x 2-1/4" PFH ITW CONCRETE SCREW	STEEL	32	1/4" X 3-3/4" PFH ITW CONCRETE SCREW	STEEL
8	#9 x 3/4" PFH WOOD SCREW	STEEL	34	ASTRAGAL BY ENDURA	ALUM.
9	DOOR SKIN (MIN. 0.075" THICK)	FIBERGLASS	34A	BOLT RETAINER	PLASTIC
10	INSWING VINYL DOOR BOTTOM SWEEP BY ENDURA	VINYL	34B	SLIDE BOLT ROD	STEEL
10A	VINYL DOOR BOTTOM SWEEP #3628 BY HOLM IND.	VINYL	35	HINGE & LATCH STILE	CELLULAR PVC
11	REINFORCEMENT WOOD FOR LOCK	WOOD	36	HINGE & LATCH STILE REINFORCEMENT	LVL
12	FINGER JOINTED PINE JAMB	WOOD	37	SIDELITE TOP & BOTTOM RAIL	CELLULAR PVC
13	#9 x 2-1/4" PFH WOOD SCREW	STEEL	38	SHOE MOULD 5/8" x 3/8"	WOOD
14	BOTTOM RAIL	CELLULAR PVC	39	SIDELITE SPACER	PVC
15	INSWING ADJUSTABLE THRESHOLD BY ENDURA	ALUM. / WOOD	43	1/4" x 2-3/4" PFH ITW CONCRETE SCREW	STEEL
15A	INSWING ADJUSTABLE ALUMINUM THRESHOLD BY DLP	ALUM. / WOOD	44	GLAZING SPACER	ALUM.
16	FORCE 5 WEATHER STRIPPING BY ENDURA	FOAM	45	SEALANT	SILICONE
16A	COMPRESSION WEATHER STRIP QLON 650 BY SCHLEGEL	FOAM	46	GLAZING COMPOUND	SILICONE
17	KWIKSET KEYED ENTRY - SIGNATURE SERIES	STEEL	47	#8 x 1-1/2" PFH LITE FRAME SCREW	STEEL
18	KWIKSET DEADBOLT - SIGNATURE SERIES (780)	STEEL	50	DOOR PANEL - SEE DOOR PANEL DETAIL SHEET FOR CONSTRUCTION DETAILS	-
19	SIDELITE STILE REINFORCEMENT	WOOD	60	SIDELITE PANEL - SEE DOOR PANEL DETAIL SHEET 3	-
20	POLYURETHANE FOAM BY NANYA	POLYURETHANE			
21	4" x 4" BUTT HINGE	STEEL			
22	#8 x 2" PFH WOOD SCREW	STEEL			



Documents Prepared By: **RW** BUILDING CONSULTANTS, INC.
 P.O. Box 230 Valrico FL 33595
 Phone No.: 813.659.9197
 Florida Board of Professional Engineers
 Certificate of Authorization No. 9813
 Lyndon F. Schmidt, P.E. No. 43409

PRODUCT: **PLASTPRO INC. FIBERGLASS DOOR**

PART OR ASSEMBLY: **BILL OF MATERIALS, COMPONENTS & GLAZING DETAIL**

NO.	DATE	BY	REVISIONS

DATE: 02/16/12
 SCALE: N.T.S.
 DWG. BY: JK
 CHK. BY: LFS
 DRAWING NO.: FL-15213.8
 SHEET 10 OF 10

© 2012 R.W. BUILDING CONSULTANTS INC.