



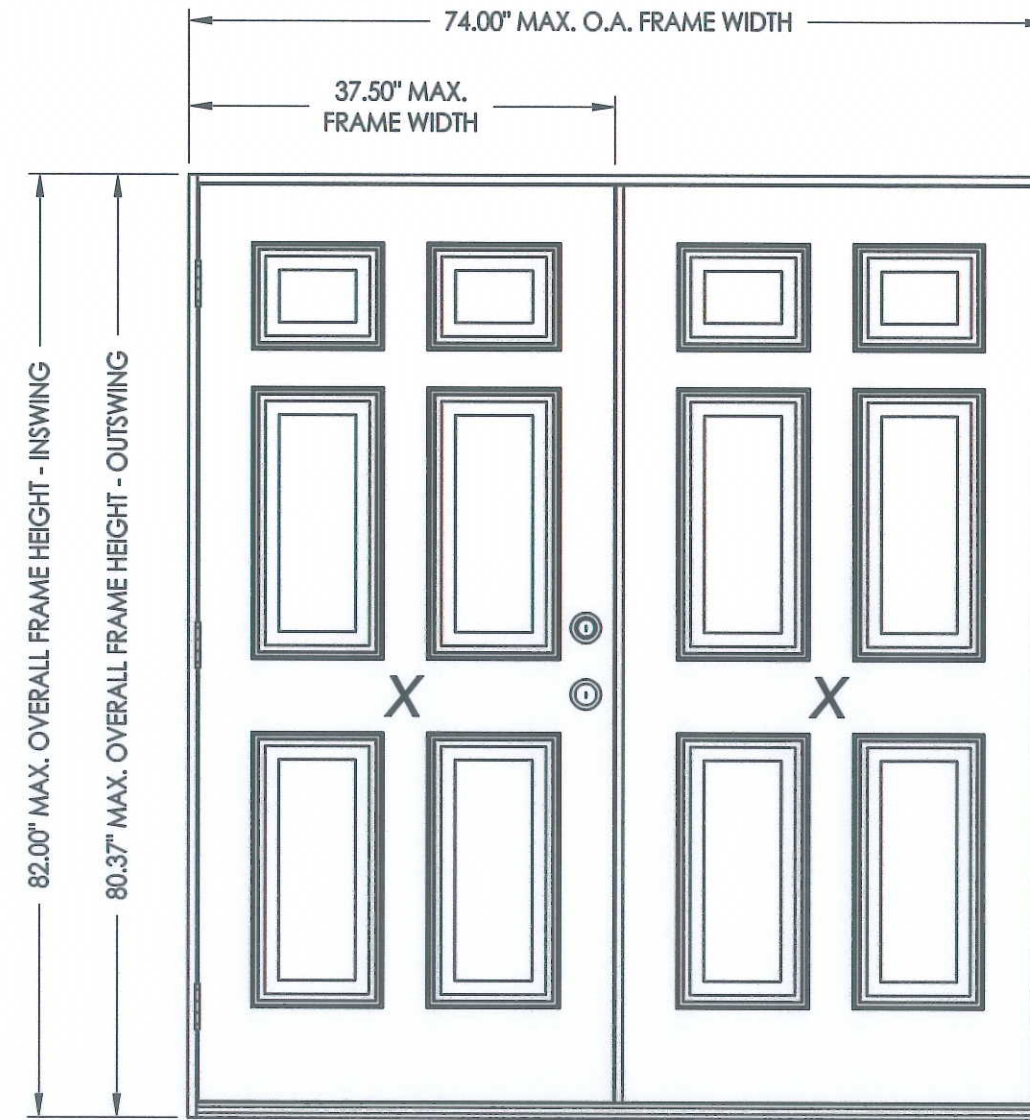
5200 W. CENTURY BLVD.  
LOS ANGELES, CA 90045

**Smooth / Wood Grain / White Wood Grain  
Rustic / Mahogany  
Series Fiberglass Door  
INSWING / OUTSWING  
"IMPACT"**

GENERAL NOTES

1. This product has been evaluated and is in compliance with the 2010 Florida Building Code (FBC) structural requirements excluding the "High Velocity Hurricane Zone" (HVHZ).
2. Product anchors shall be as listed and spaced as shown on details. Anchor embedment to base material shall be beyond wall dressing or stucco.
3. When used in areas requiring wind borne debris protection this product complies with Section 1609.1.2 of the FBC and does not require an impact resistant covering. This product meets missile level "D" and includes Wind Zone 4 as defined in ASTM E1996 and Section 1609.1.2.4 of the FBC.
4. For 2x stud framing construction, anchoring of these units shall be the same as that shown for 2x buck masonry construction.
5. Site conditions that deviate from the details of this drawing require further engineering analysis by a licensed engineer or registered architect.

TABLE OF CONTENTS	
SHEET #	DESCRIPTION
1	Typical elevation, design pressures, & general notes
2	Door panel details
3	Horizontal cross sections
4	Vertical cross sections
5	Buck and frame anchoring - 2X buck masonry construction
6	Frame anchoring - 1X buck masonry construction
7	Astragal details
8	Bill of materials & components



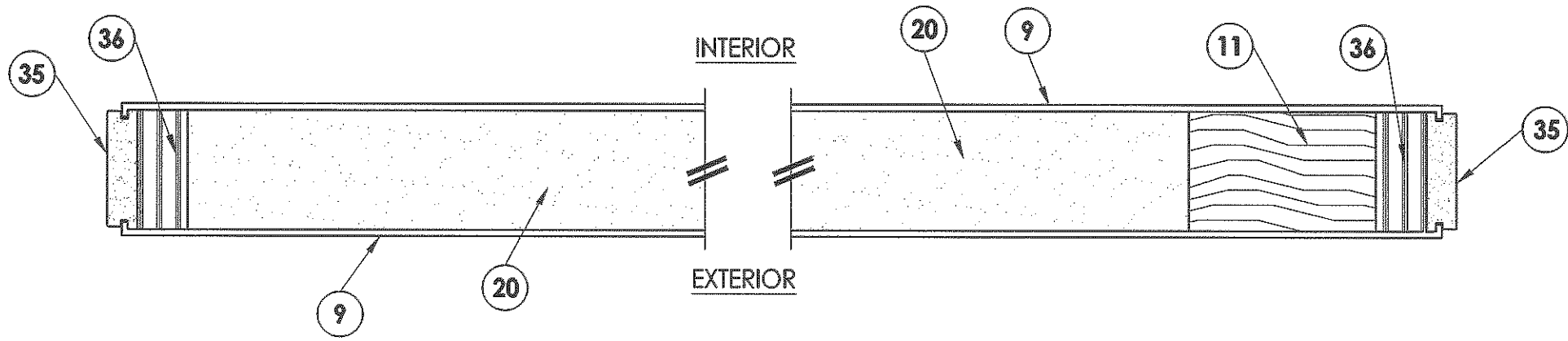
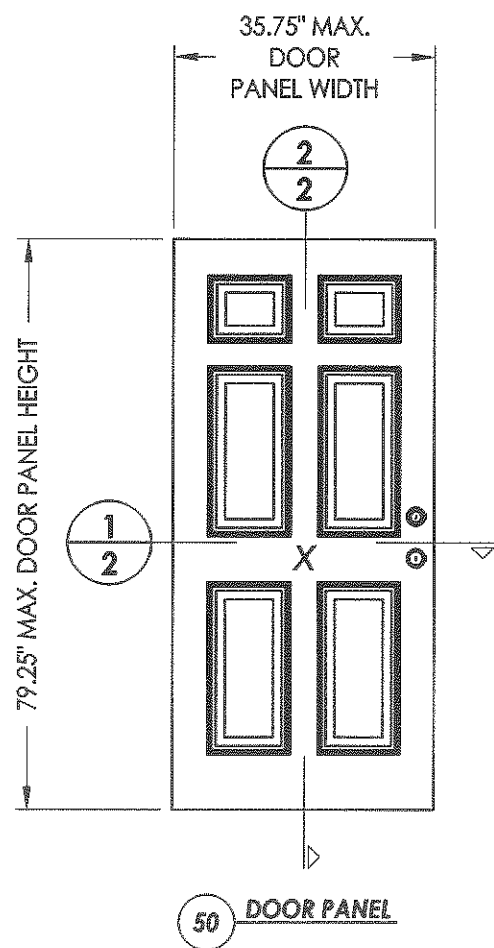
SWING	OVERALL FRAME DIMENSION	DESIGN PRESSURE (PSF)	
		POSITIVE	NEGATIVE
INSWING	74.00" x 82.00"	+50.0	-50.0
OUTSWING	74.00" x 80.37"		

Documents Prepared By:  
**RW** BUILDING CONSULTANTS, INC.  
P.O. Box 230 Valrico FL 33595  
Phone No.: 813.659.9197  
Florida Board of Professional Engineers  
Certificate Of Authorization No. 9813  
*CFR 2-12-12*  
Lyndon F. Schmidt, P.E. No. 43409

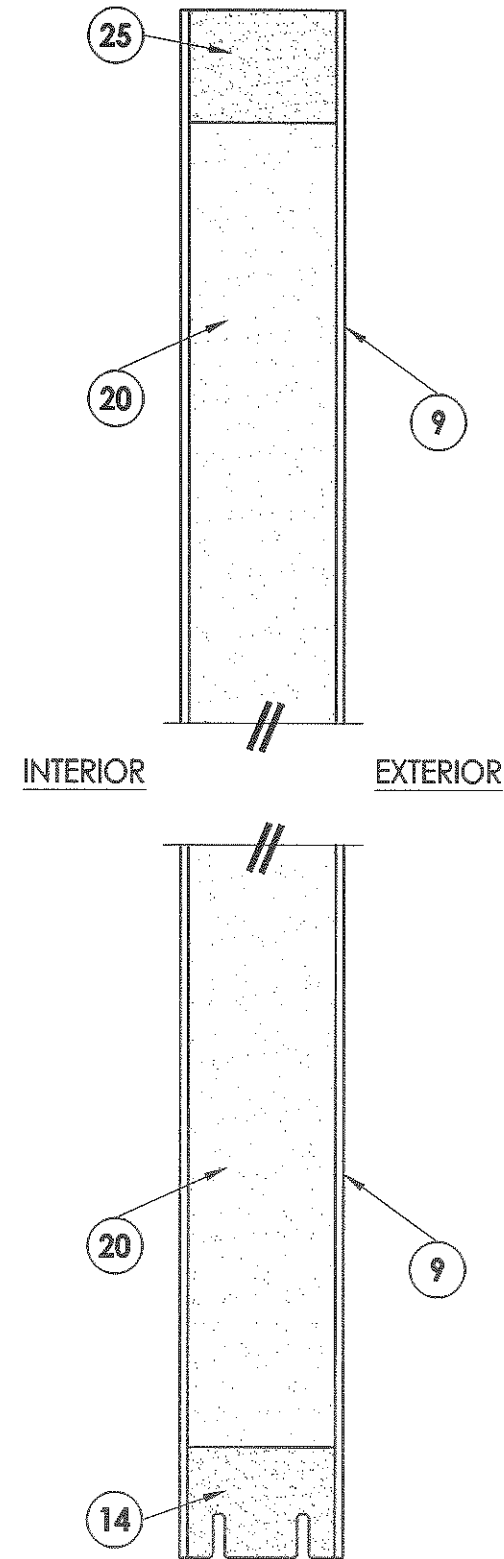
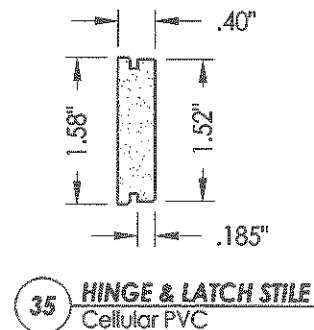
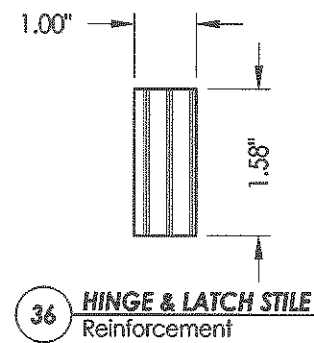
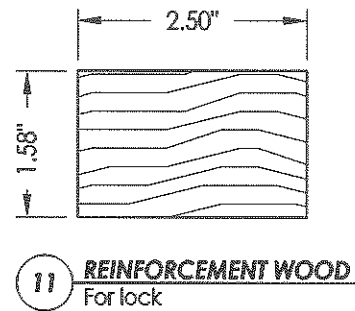
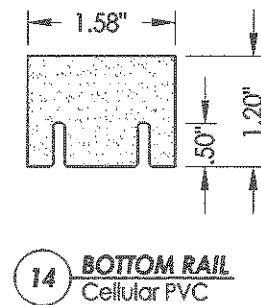
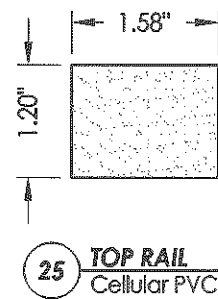
PRODUCT:  
PLASTPRO INC.  
FIBERGLASS DOOR  
PART OR ASSEMBLY:  
TYPICAL ELEVATION, DESIGN PRESSURES & GENERAL NOTES

NO.	DATE	BY	REVISIONS

DATE: 02/16/12  
SCALE: N.T.S.  
DWG. BY: JK  
CHK. BY: LFS  
DRAWING NO.: FL-15213.6  
SHEET 1 OF 8



1  
2 HORIZONTAL CROSS SECTION



2  
2 VERTICAL CROSS SECTION

PRODUCT:

PLASTPRO INC.  
FIBERGLASS DOOR

PART OR ASSEMBLY:

DOOR PANEL DETAILS

DATE: 02/16/12

SCALE: N.T.S.

DWG. BY: JK

CHK. BY: LFS

DRAWING NO.:

FL-15213.6

SHEET 2 OF 8

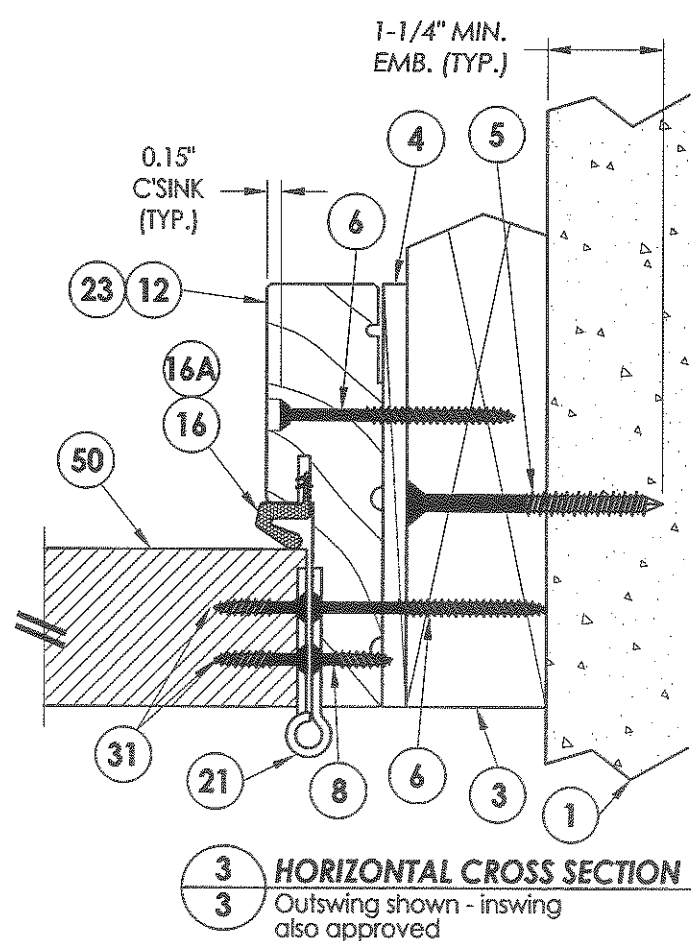
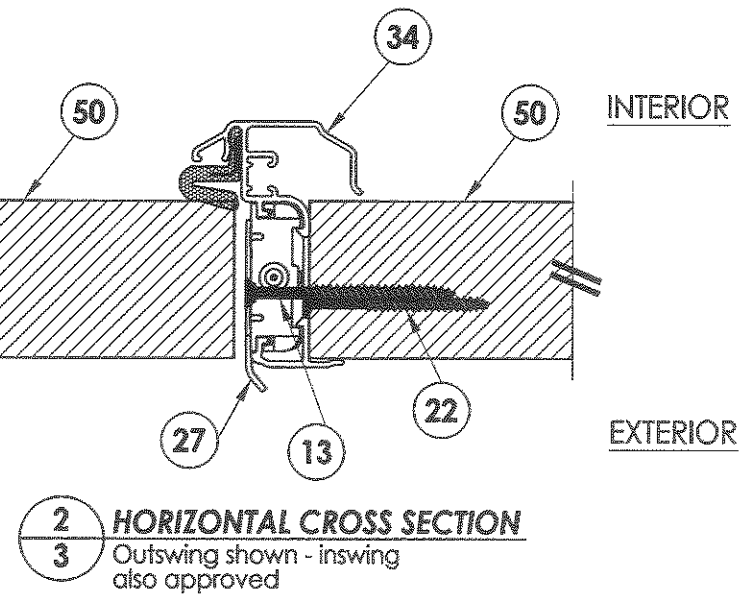
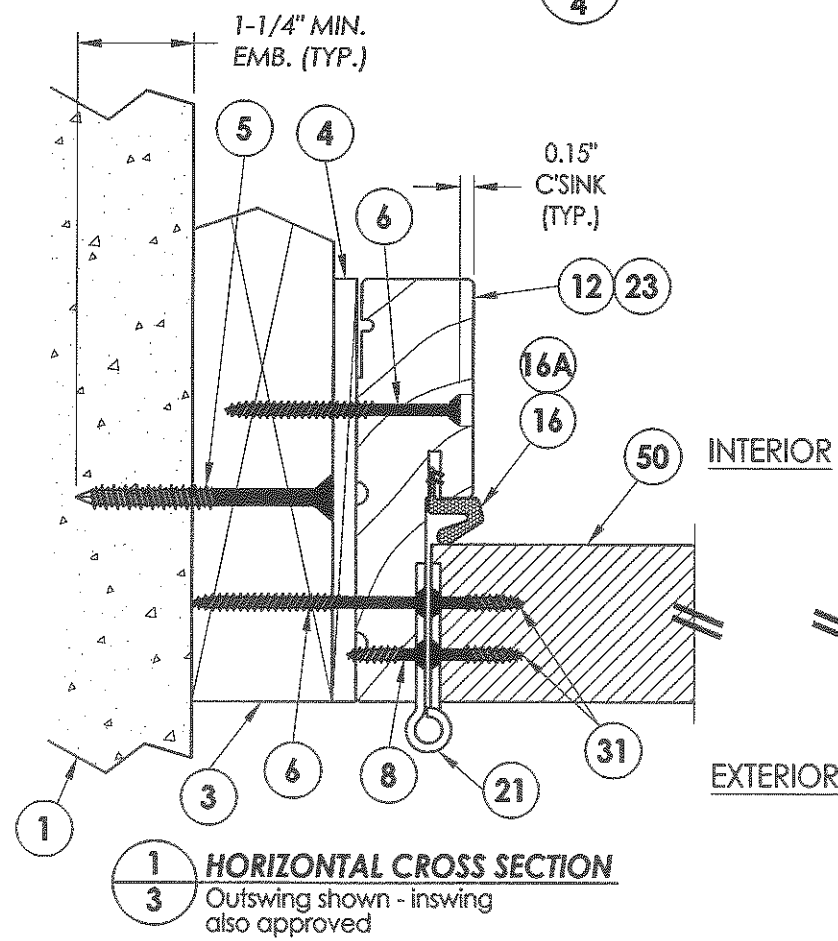
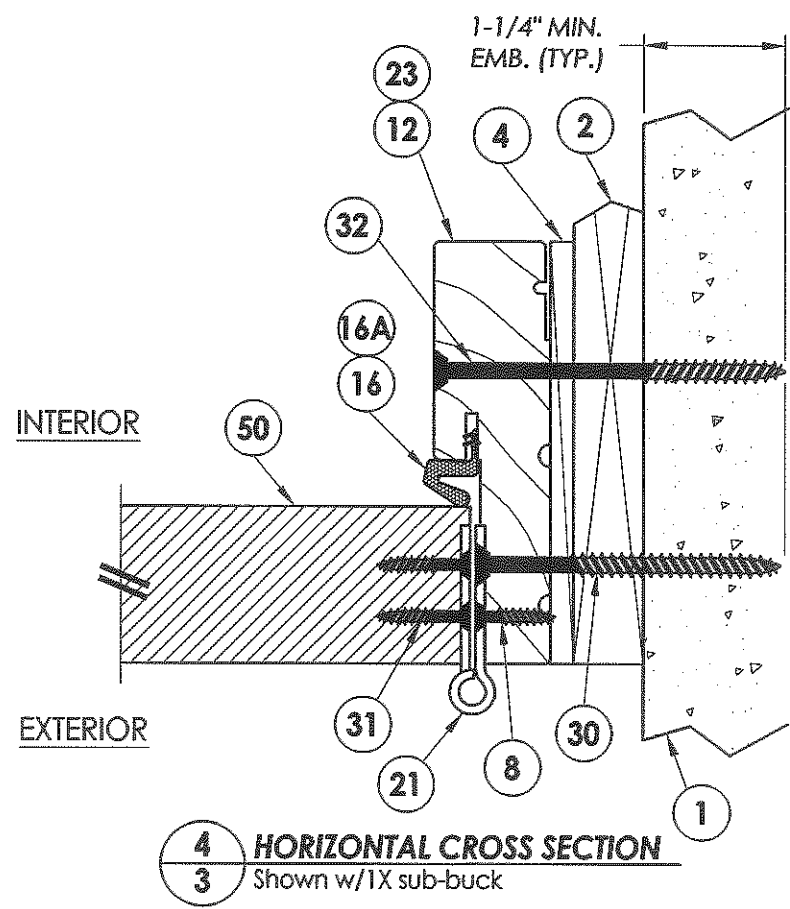
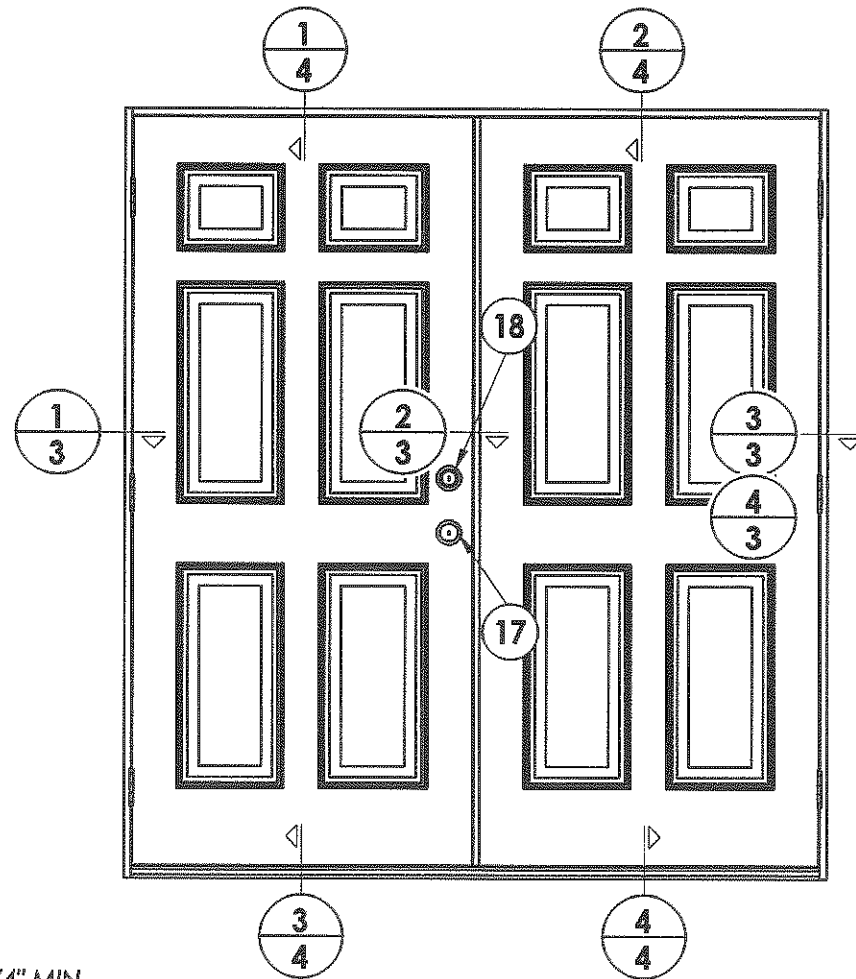
Documents Prepared By:

RW BUILDING CONSULTANTS, INC.  
P.O. Box 230 Valrico FL, 33595  
Phone No.: 813.659.9197  
Florida Board of Professional Engineers  
Certificate Of Authorization No. 9813

LFS 2-17-12  
Lyndon F. Schmidt, P.E. No. 43409

REVISIONS

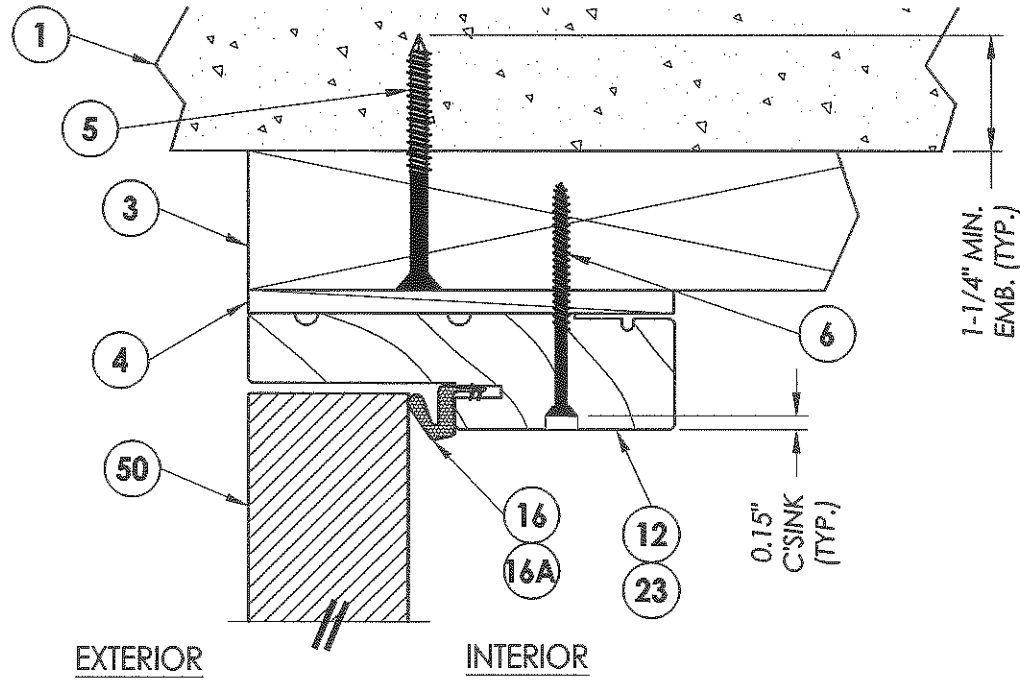




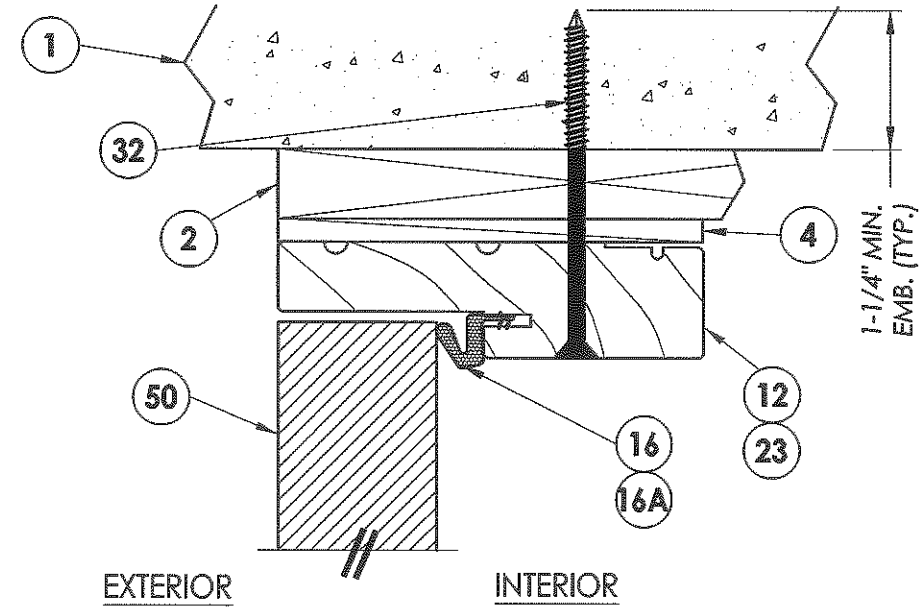
Documents Prepared By:  
**RW** BUILDING CONSULTANTS, INC.  
P.O. Box 230 Vairico FL 33595  
Phone No.: 813.659.9197  
Florida Board of Professional Engineers  
Certificate Of Authorization No. 9813  
*RWS* 2-17-12  
Lyndon F. Schmidt, P.E. No. 43409

PRODUCT: PLASTPRO INC. FIBERGLASS DOOR	
PART OR ASSEMBLY: HORIZONTAL CROSS SECTIONS	
NO.	DATE
REVISIONS	
BY	
DATE: 02/16/12	
SCALE: N.T.S.	
DWG. BY: JK	
CHK. BY: LFS	
DRAWING NO.: FL-15213.6	
SHEET 3 OF 8	

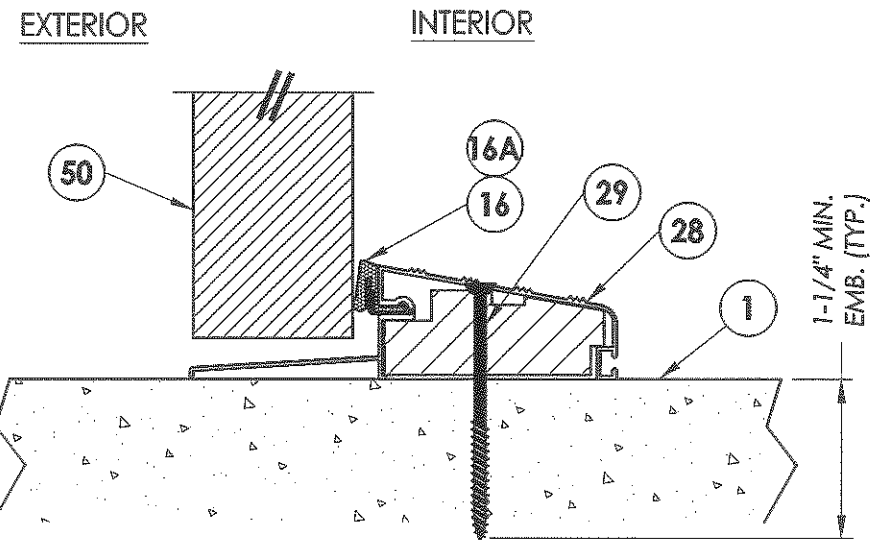
© 2012 R.W. BUILDING CONSULTANTS INC.



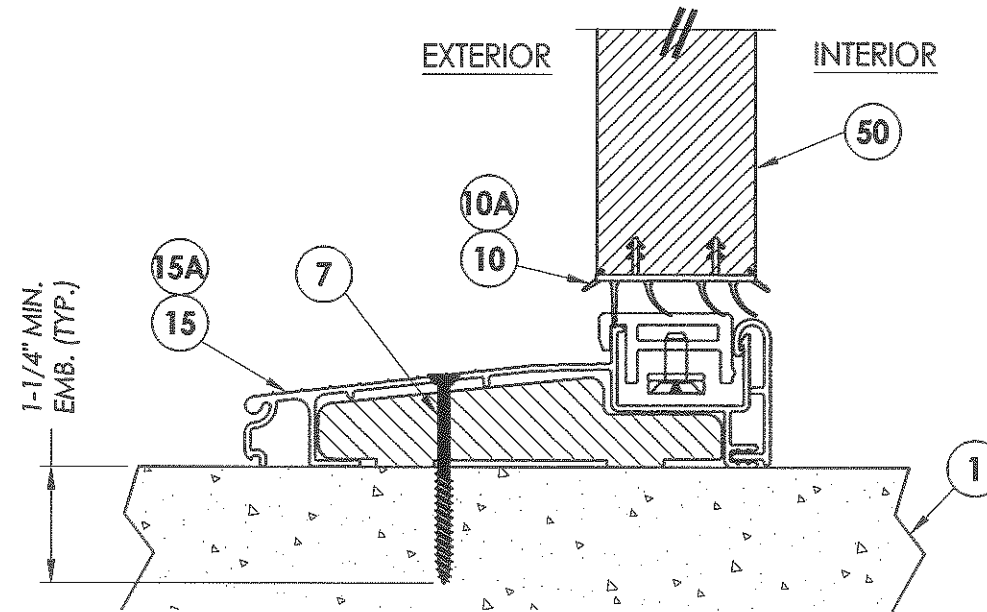
**1** VERTICAL CROSS SECTION  
**4** Outswing shown - inswing also approved



**2** VERTICAL CROSS SECTION  
**4** Shown w/1X sub-buck



**3** VERTICAL CROSS SECTION  
**4** Outswing configuration



**4** VERTICAL CROSS SECTION  
**4** Inswing configuration

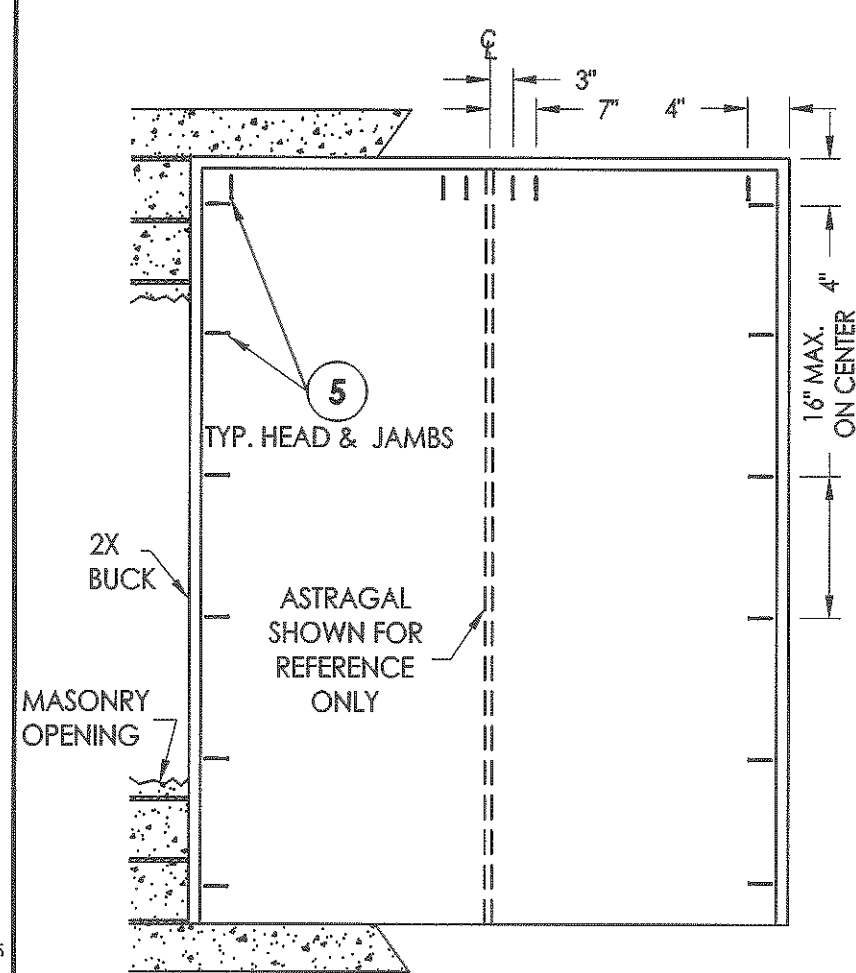
Documents Prepared By:  
**RW** BUILDING CONSULTANTS, INC.  
 P.O. Box 230 Valrico FL 33595  
 Phone No.: 813.659.9197  
 Florida Board of Professional Engineers  
 Certificate Of Authorization No. 9813  
 1752.2.17-12  
 Lyndon F. Schmidt, P.E. No. 43409

PRODUCT:  
 PLASTPRO INC.  
 FIBERGLASS DOOR  
 PART OR ASSEMBLY:  
 VERTICAL CROSS SECTIONS

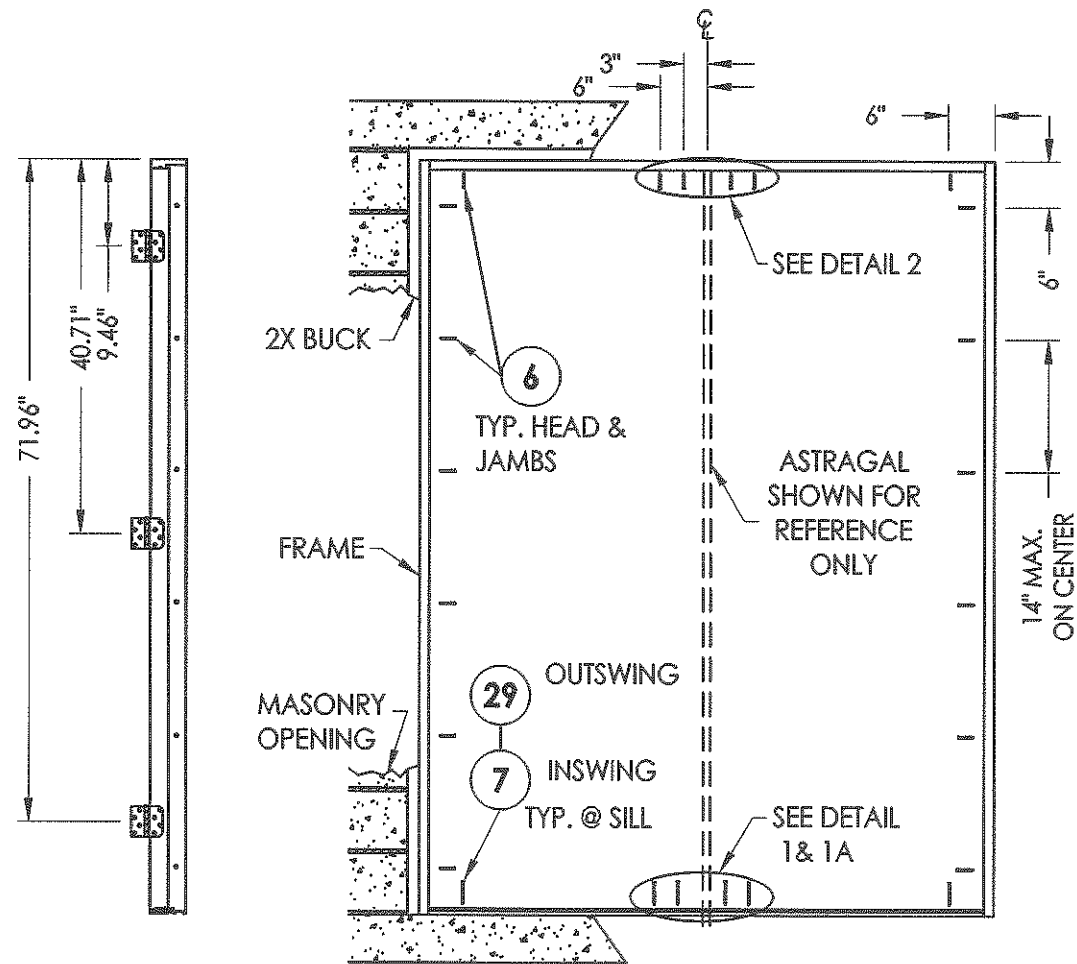
NO.	DATE	BY

DATE: 02/16/12  
 SCALE: N.T.S.  
 DWG. BY: JK  
 CHK. BY: LFS  
 DRAWING NO.: FL-15213.6  
 SHEET 4 OF 8

R:\A - Projects\Project Folders\proj 1501 - 1600\PF 1587\D. RWBC Drawings\2010\FL-15213.1-8.dwg, 5.6



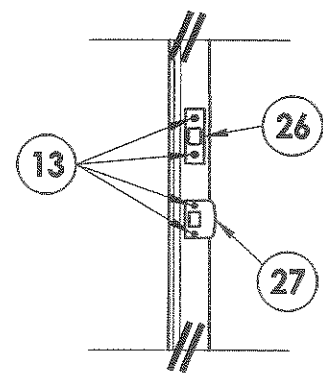
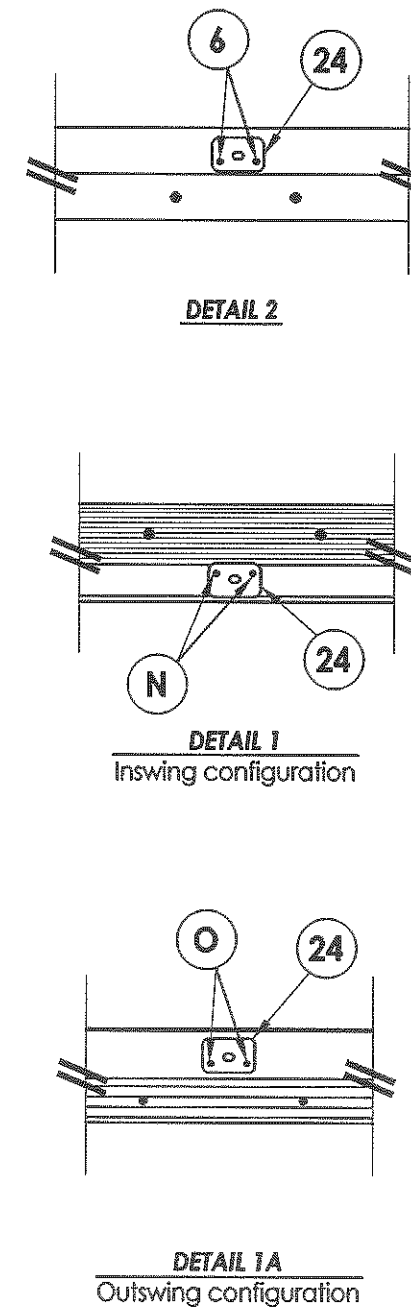
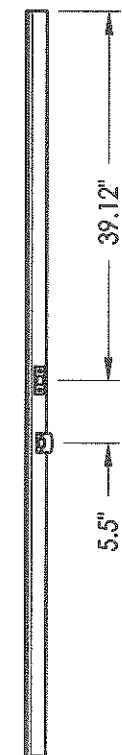
**BUCK ANCHORING**



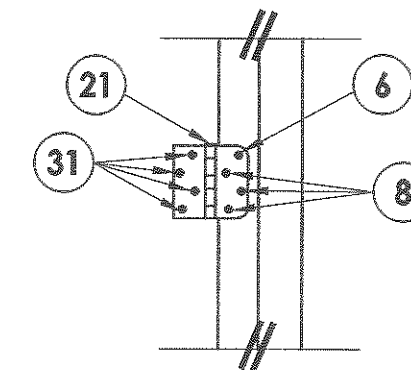
**HINGE JAMB**

**FRAME ANCHORING**  
Masonry 2X buck construction

**ASTRAGAL STRIKE JAMB**



**LATCH & DEADBOLT DETAIL**



**HINGE DETAIL**

**CONCRETE ANCHOR NOTES:**

1. Substitution of equal concrete anchors from a different supplier may have different edge distance and center distance requirements.
2. Concrete anchor locations at the corners may be adjusted to maintain the min. edge distance to mortar joints. If concrete anchor locations noted as "MAX. ON CENTER" must be adjusted to maintain the min. edge distance to mortar joints, additional concrete anchors may be required to ensure the "MAX. ON CENTER" dimensions are not exceeded.
3. Concrete anchor table:

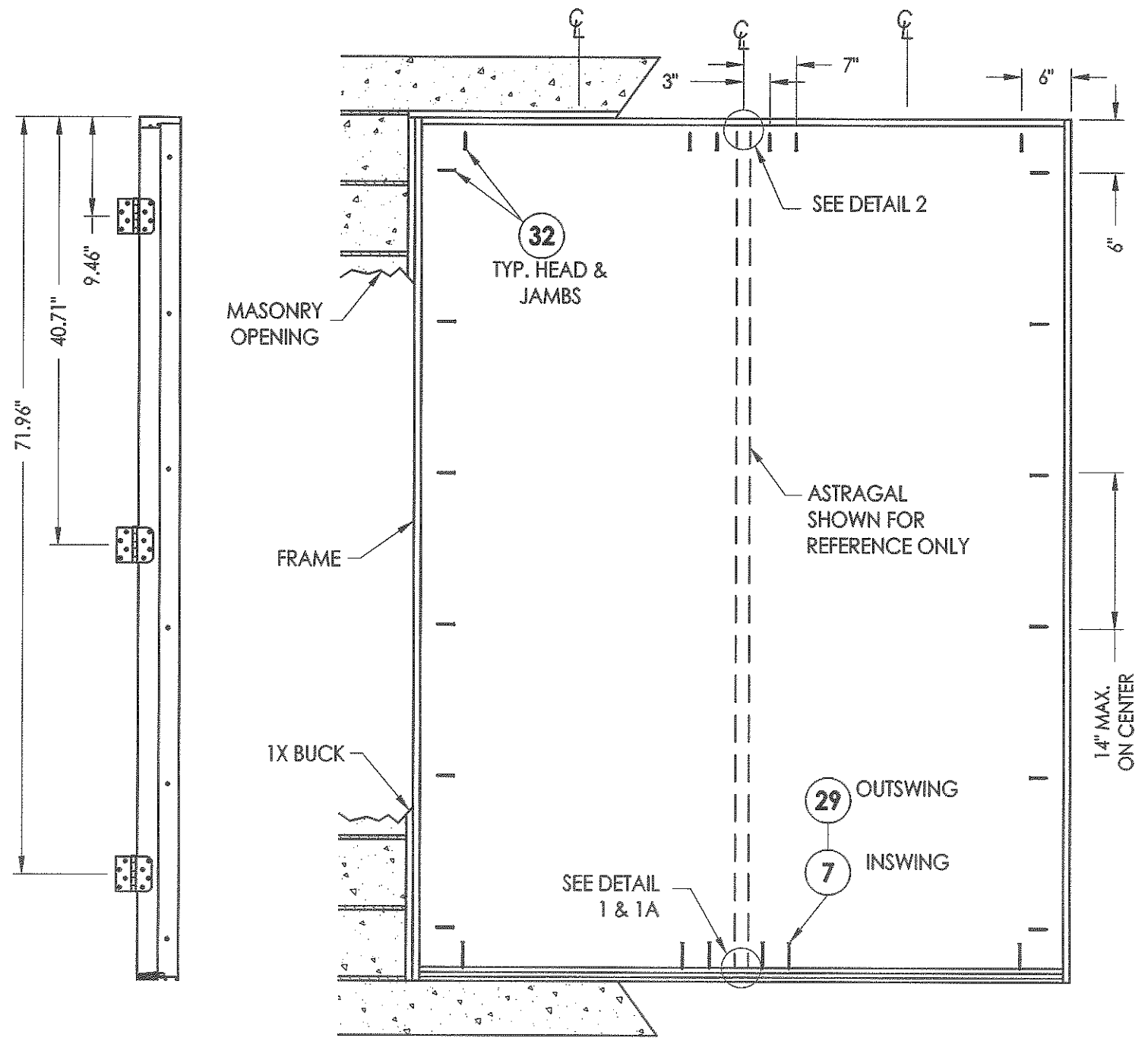
ANCHOR TYPE	ANCHOR SIZE	MIN. EMBEDMENT	MIN. CLEARANCE TO MASONRY EDGE	MIN. CLEARANCE TO ADJACENT ANCHOR
ITW	1/4"	1-1/4"	2-1/2"	3"
ELCO	1/4"	1-1/4"	1"	4"
ITW	3/16"	1-1/4"	2-5/8"	2-1/4"

PRODUCT:  
PLASTIPRO INC.  
FIBERGLASS DOOR  
PART OR ASSEMBLY:  
BUCK & FRAME ANCHORING 2X  
BUCK MASONRY CONSTRUCTION

NO.	DATE	BY	REVISIONS

DATE: 02/16/12  
SCALE: N.T.S.  
DWG. BY: JK  
CHK. BY: LFS  
DRAWING NO.: FL-15213.6  
SHEET 5 OF 8

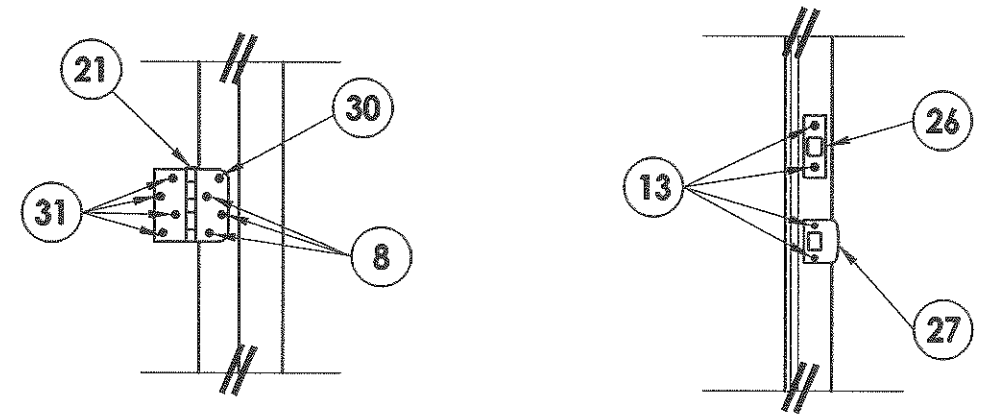
Documents Prepared By:  
**RW** BUILDING CONSULTANTS, INC.  
P.O. Box 230 Valrico FL 33595  
Phone No.: 813.659.9197  
Florida Board of Professional Engineers  
Certificate Of Authorization No. 9813  
2-17-12  
Lyndon F. Schmidt, P.E. No. 43409



**HINGE JAMB**

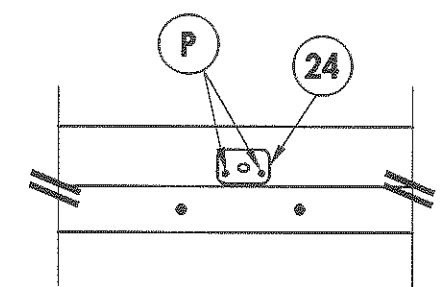
**FRAME ANCHORING**  
Masonry 1X buck construction

**ASTRAGAL STRIKE JAMB**

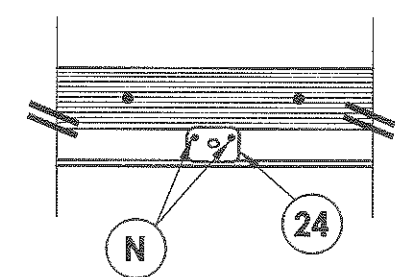


**HINGE DETAIL**

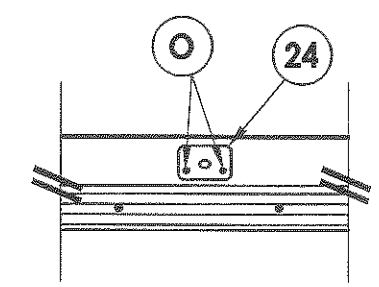
**LATCH & DEADBOLT DETAIL**



**DETAIL 2**



**DETAIL 1**  
Inswing configuration



**DETAIL 1**  
Outswing configuration

**CONCRETE ANCHOR NOTES:**

1. Substitution of equal concrete anchors from a different supplier may have different edge distance and center distance requirements.
2. Concrete anchor locations at the corners may be adjusted to maintain the min. edge distance to mortar joints. If concrete anchor locations noted as "MAX. ON CENTER" must be adjusted to maintain the min. edge distance to mortar joints, additional concrete anchors may be required to ensure the "MAX. ON CENTER" dimensions are not exceeded.
3. Concrete anchor table:

ANCHOR TYPE	ANCHOR SIZE	MIN. EMBEDMENT	MIN. CLEARANCE TO MASONRY EDGE	MIN. CLEARANCE TO ADJACENT ANCHOR
ITW	1/4"	1-1/4"	2-1/2"	3"
ITW	3/16"	1-1/4"	2-5/8"	2-1/4"

Documents Prepared By: **RW BUILDING CONSULTANTS, INC.**  
 P.O. Box 230 Valrico FL 33595  
 Phone No.: 813.659.9197  
 Florida Board of Professional Engineers  
 Certificate Of Authorization No. 9813  
 Lynden F. Schmidt, P.E. No. 43409

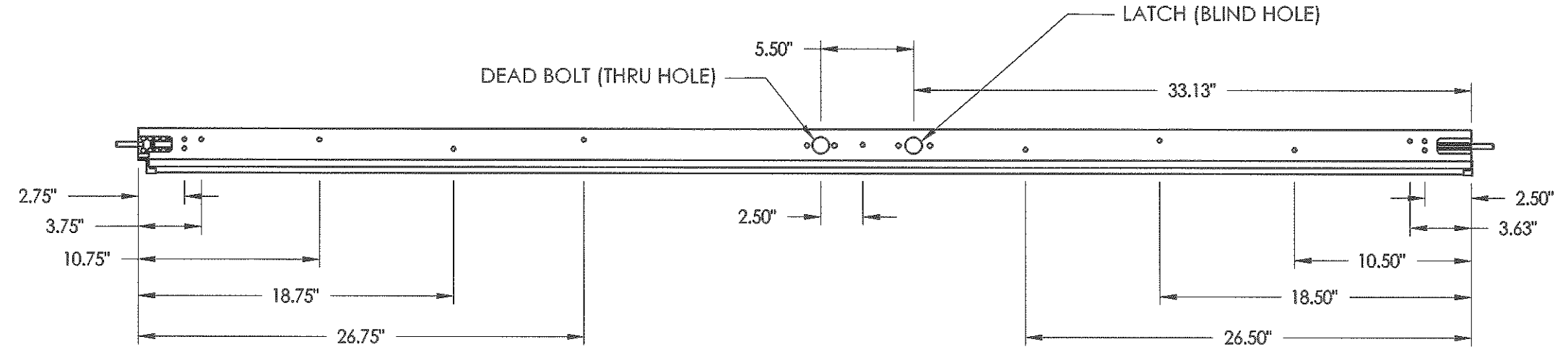
PRODUCT: **PLASTPRO INC. FIBERGLASS DOOR**  
 PART OR ASSEMBLY: **FRAME ANCHORING 1X BUCK MASONRY CONSTRUCTION**

NO.	DATE	BY	REVISIONS

DATE: 02/16/12  
 SCALE: N.T.S.  
 DWG. BY: JK  
 CHK. BY: LFS  
 DRAWING NO.: FL-15213.6  
 SHEET 6 OF 8

© 2012 R.W. BUILDING CONSULTANTS INC.

R:\A - Projects\Project Folders\proj\_1501 - 1600\PF 1587\D. RWBC Drawings\2010\FL-15213.1-.8.dwg, 7.6

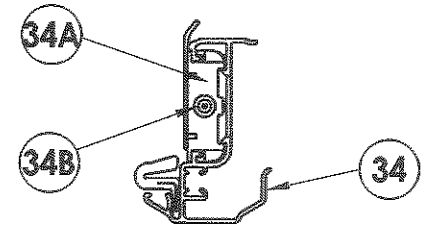


TOP

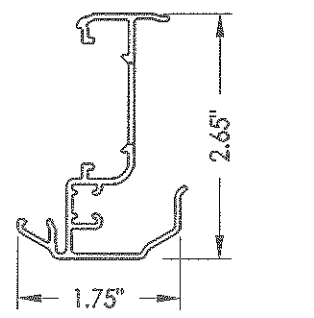
BOTTOM

A-A

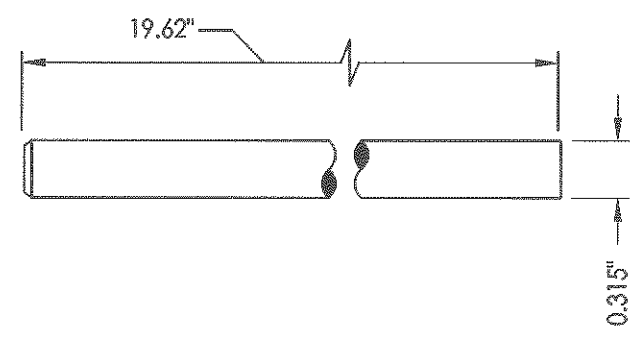
**6'8 ALUMINUM ASTRAGAL ASSEMBLY**  
By Endura Product



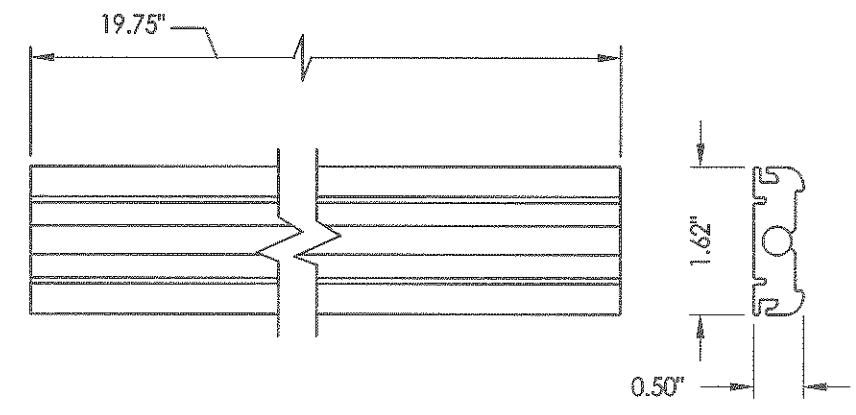
**VIEW A-A**  
Aluminum Astragal Assembly



**34 ALUMINUM ASTRAGAL**  
BY ENDURA PRODUCTS



**34B SLIDE BOLT ROD**

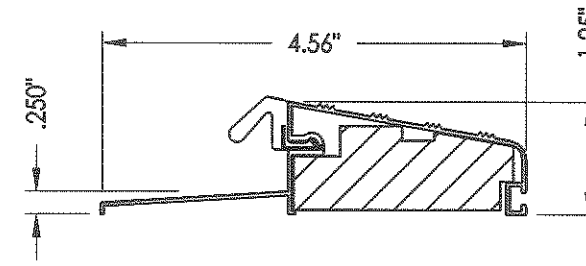


**34A BOLT RET.**  
TOP / BOTTOM

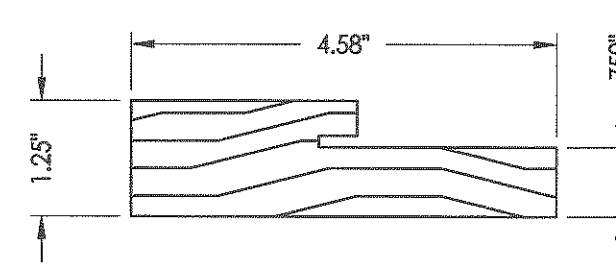
Documents Prepared By:		<b>RW</b> BUILDING CONSULTANTS, INC. P.O. Box 230 Valrico FL 33595 Phone No.: 813.659.9197 Florida Board of Professional Engineers Certificate Of Authorization No. 9813 <i>LFS</i> 2-17-12 Lyndon F. Schmidt, P.E. No. 43409	
PRODUCT:	PLASTPRO INC. FIBERGLASS DOOR	NO.	DATE
PART OR ASSEMBLY:	ASTRAGAL DETAILS	BY	REVISIONS
		NO.	DATE
		BY	REVISIONS
DATE: 02/16/12		SCALE: N.T.S.	
DWG. BY: JK		CHK. BY: LFS	
DRAWING NO.: FL-15213.6		SHEET 7 OF 8	

R:\A - Projects\Project Folders\proj 1501 - 1600\PF 1587\DWG - RWBC Drawings\2010\FL-15213.1-8.dwg, 8.6

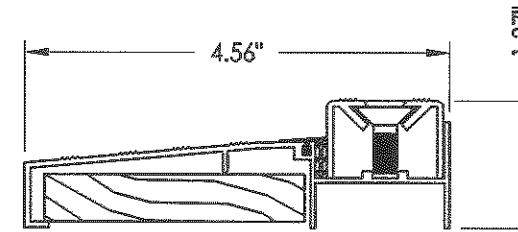
BILL OF MATERIALS		
ITEM	DESCRIPTION	MATERIAL
N	3/16" X 3-1/2" PFH ITW CONCRETE SCREW	STEEL
O	3/16" X 1-1/2" PFH ITW CONCRETE SCREW	STEEL
P	3/16" X 3-1/4" PFH ITW CONCRETE SCREW	STEEL
1	MASONRY - 3,192 PSI MIN. CONCRETE CONFORMING TO ACI 301 OR HOLLOW BLOCK CONFORMING TO ASTM C90	CONCRETE
2	1X BUCK SG >= 0.55	WOOD
3	2X BUCK SG >= 0.55	WOOD
4	1/4" MAX. SHIM SPACE	-
5	1/4" X 2-3/4" PFH ELCO OR ITW CONCRETE SCREW	STEEL
6	#10 x 2-1/2" PFH WOOD SCREW	STEEL
7	1/4" x 2-1/4" PFH ITW CONCRETE SCREW	STEEL
8	#9 x 3/4" PFH WOOD SCREW	STEEL
9	DOOR SKIN (MIN. 0.075" THICK)	FIBERGLASS
10	INSWING VINYL DOOR BOTTOM SWEEP BY ENDURA	VINYL
10A	VINYL DOOR BOTTOM SWEEP #3628 BY HOLM IND.	VINYL
11	REINFORCEMENT WOOD FOR LOCK	WOOD
12	FINGER JOINTED PINE JAMB	WOOD
13	#9 x 2-1/4" PFH WOOD SCREW	STEEL
14	BOTTOM RAIL	CELLULAR PVC
15	INSWING ADJUSTABLE THRESHOLD BY ENDURA	ALUM. / WOOD
15A	INSWING ADJUSTABLE ALUMINUM THRESHOLD BY DLP	ALUM. / WOOD
16	FORCE 5 WEATHER STRIPPING BY ENDURA	FOAM
16A	COMPRESSION WEATHER STRIP QLON 650 BY SCHLEGEL	FOAM
17	KWIKSET KEYED ENTRY - SIGNATURE SERIES	STEEL
18	KWIKSET DEADBOLT - SIGNATURE SERIES (780)	STEEL
20	POLYURETHANE FOAM BY NANYA	POLYURETHANE
21	4" x 4" BUTT HINGE	STEEL
22	#8 x 2" PFH WOOD SCREW	STEEL
23	POLY FIBER JAMB	COMP. / VINYL
24	FLUSH BOLT STRIKE PLATE	STEEL
25	TOP RAIL	CELLULAR PVC
26	DEADBOLT STRIKE PLATE	STEEL
27	STRIKE PLATE	STEEL
28	OUTSWING BUMP THRESHOLD	ALUM. / WOOD
29	1/4" x 2-3/4" PFH ITW CONCRETE SCREW	STEEL
30	1/4" x 3-1/4" PFH ITW CONCRETE SCREW	STEEL
31	#9 x 1" PFH WOOD SCREW	STEEL
32	1/4" X 3-3/4" PFH ITW CONCRETE SCREW	STEEL
34	ASTRAGAL BY ENDURA	ALUM.
34A	BOLT RETAINER	PLASTIC
34B	SLIDE BOLT ROD	STEEL
35	HINGE & LATCH STILE	CELLULAR PVC
36	HINGE & LATCH STILE REINFORCEMENT	LVL
50	DOOR PANEL - SEE DOOR PANEL DETAIL SHEET FOR CONSTRUCTION DETAILS	-



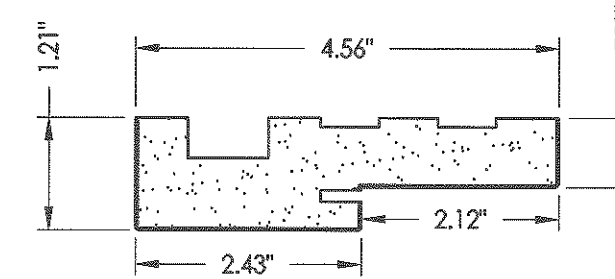
28 OUTSWING BUMP THRESHOLD



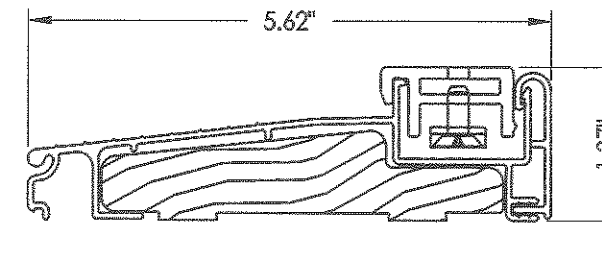
12 JAMB



15A ADJUSTABLE INSWING SILL



23 POLY FIBER JAMB



15 ADJUSTABLE INSWING SILL

Documents Prepared By:  
**RW** BUILDING CONSULTANTS, INC.  
 P.O. Box 230 Valrico FL 33595  
 Phone No.: 813.659.9197  
 Florida Board of Professional Engineers  
 Certificate of Authorization No. 9813  
 Lyndon F. Schmidt, P.E. No. 43409

PRODUCT:  
**PLASTPRO INC.**  
**FIBERGLASS DOOR**  
 PART OR ASSEMBLY:  
**BILL OF MATERIAL & COMPONENTS**

NO.	DATE	BY	REVISIONS

DATE: 02/16/12  
 SCALE: N.T.S.  
 DWG. BY: JK  
 CHK. BY: LFS  
 DRAWING NO.: FL-15213.6  
 SHEET 8 OF 8