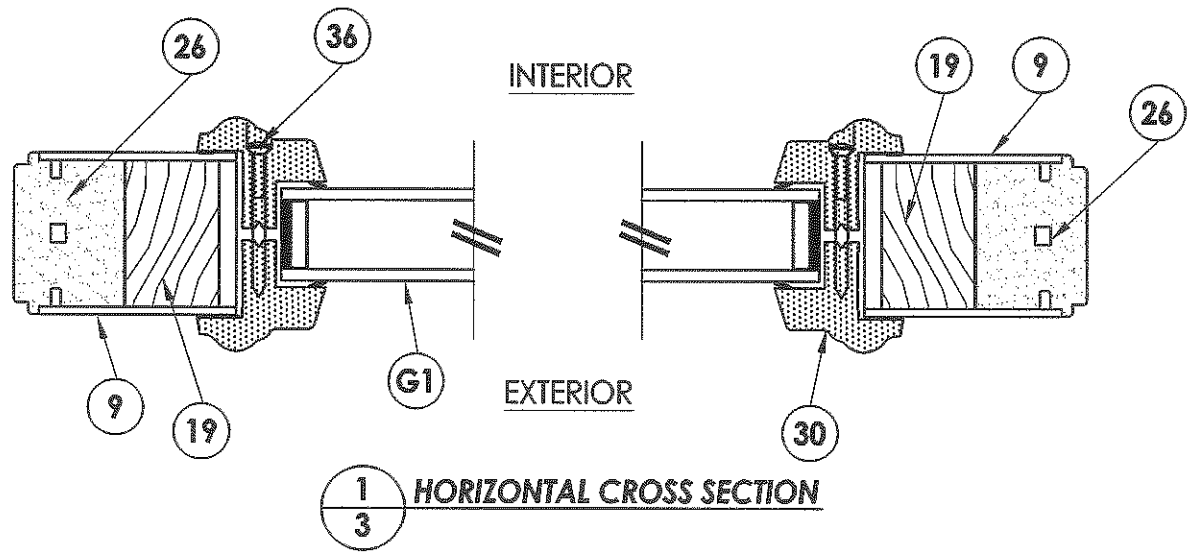
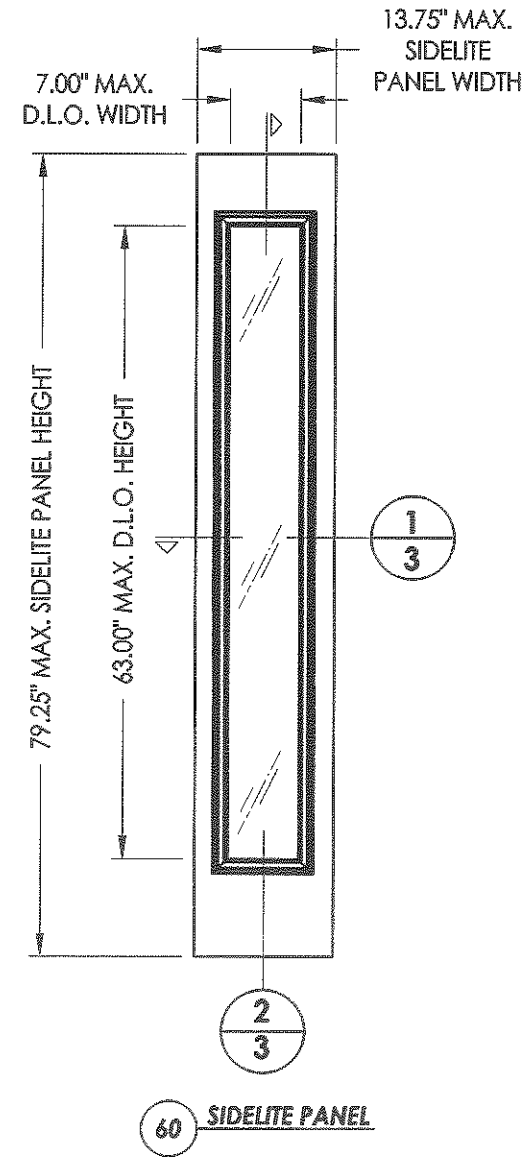
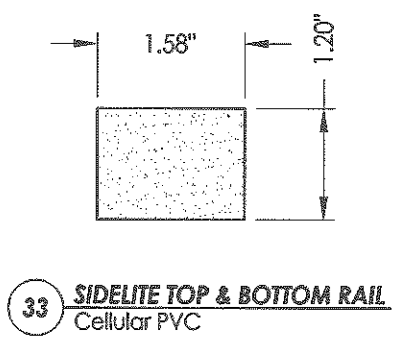


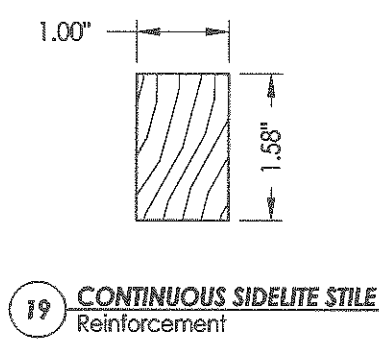
R:\A - Projects\Project Folders\proj 1501 - 1600\PF 1587\D. RWBC Drawings\2010\FL-15213.1-8.dwg, 3.5



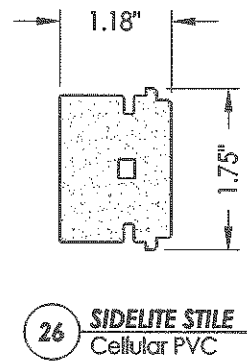
1
3 HORIZONTAL CROSS SECTION



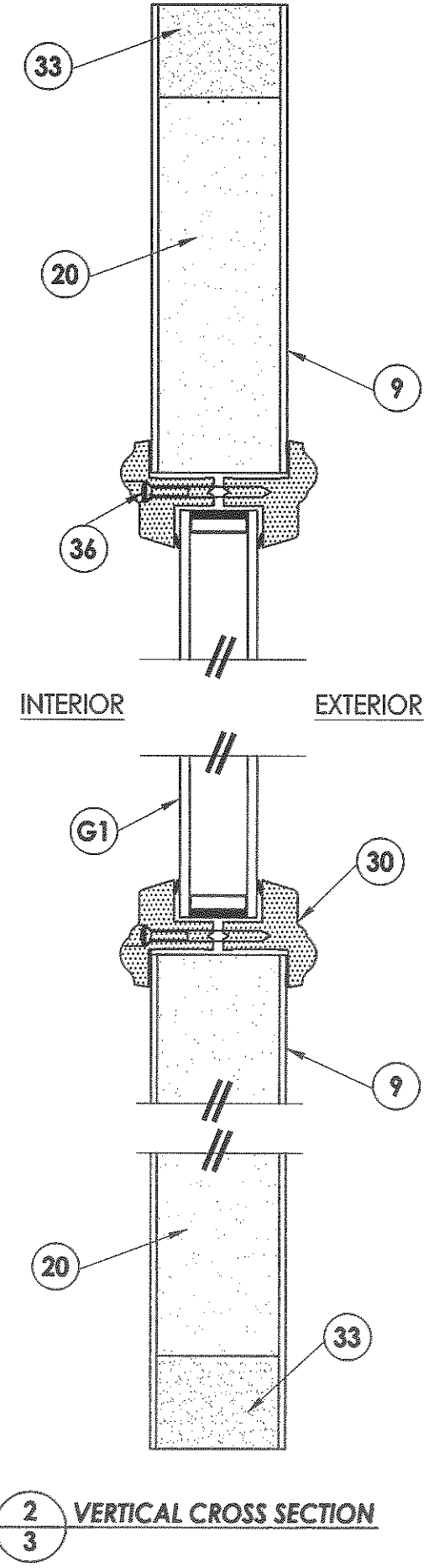
33 SIDELITE TOP & BOTTOM RAIL
Cellular PVC



19 CONTINUOUS SIDELITE STILE
Reinforcement



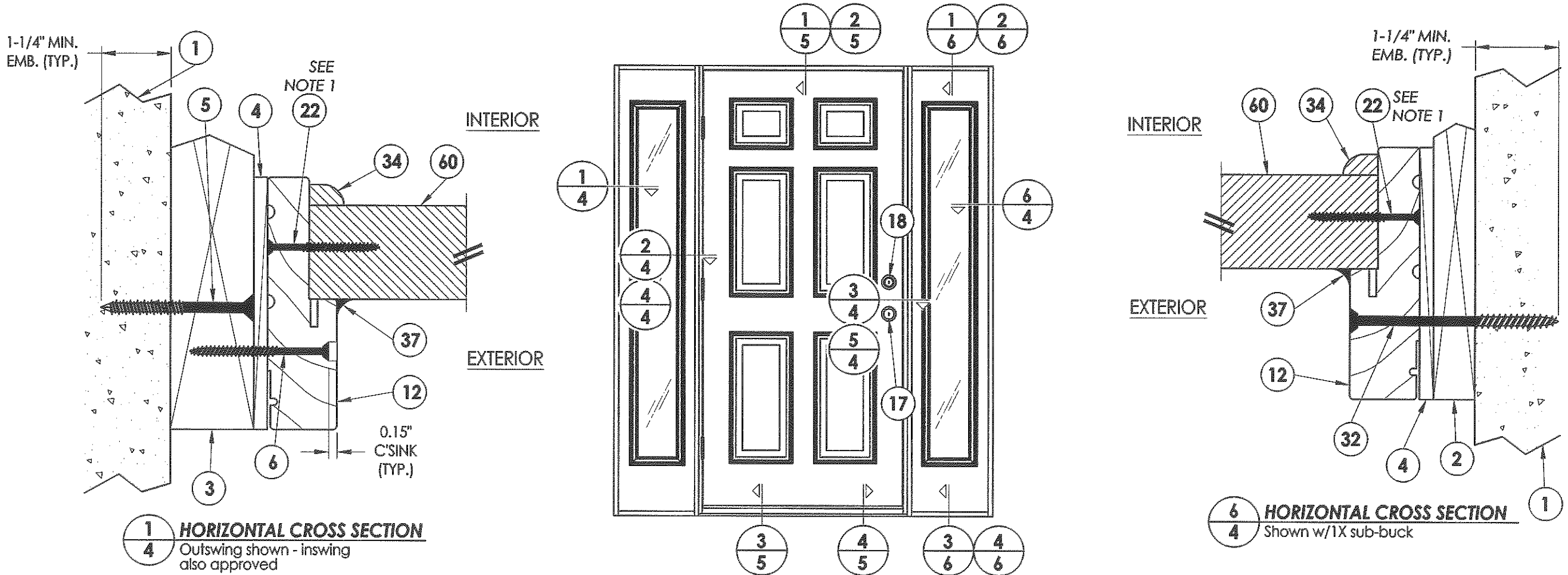
26 SIDELITE STILE
Cellular PVC



2
3 VERTICAL CROSS SECTION

Documents Prepared By:		RW BUILDING CONSULTANTS, INC. P.O. Box 230 Vairico FL 33595 Phone No.: 813.659.9197 Florida Board of Professional Engineers Certificate Of Authorization No. 9813 <i>RF</i> 2-17-12 Lyndon F. Schmidt, P.E. No. 43409	
PRODUCT:	PLASTPRO INC. FIBERGLASS DOOR		
	PART OR ASSEMBLY:	SIDELITE PANEL DETAILS	
		NO	DATE
		BY	
		REVISIONS	
DATE: 02/16/12			
SCALE: N.T.S.			
DWG. BY: JK			
CHK. BY: LFS			
DRAWING NO.: FL-15213.5			
SHEET 3 OF 9			

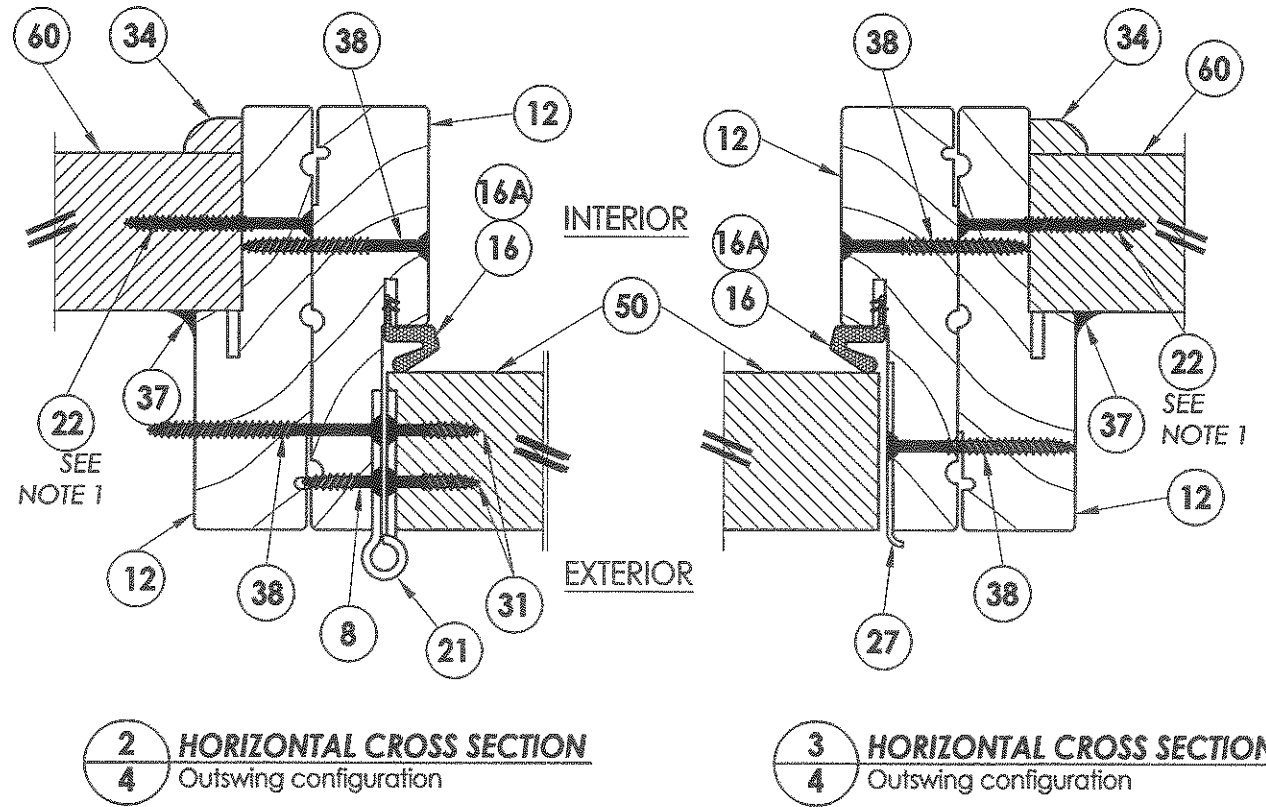
R:\A - Projects\Project Folders\proj 1501 - 1600\PF 1587\D. RWBC Drawings\2010\FL-15213.1-.8.dwg, 4.5



1 HORIZONTAL CROSS SECTION
4 Outswing shown - inswing also approved

6 HORIZONTAL CROSS SECTION
4 Shown w/1X sub-buck

NOTE:
 1. Sidelite panel secured to the sidelite frame with (4) of item #22 located 10", 30.5", 51" and 71.5" from top of each jamb and (2) of item #22 in the head and sill 3" from each end



2 HORIZONTAL CROSS SECTION
4 Outswing configuration

3 HORIZONTAL CROSS SECTION
4 Outswing configuration

4 HORIZONTAL CROSS SECTION
4 Inswing configuration

5 HORIZONTAL CROSS SECTION
4 Inswing configuration

Documents Prepared By: **RW** BUILDING CONSULTANTS, INC.
 P.O. Box 250 Valrico FL, 33595
 Phone No.: 813.659.9197
 Florida Board of Professional Engineers
 Certificate Of Authorization No. 9813
 Lyndon F. Schmidt, P.E. No. 43409

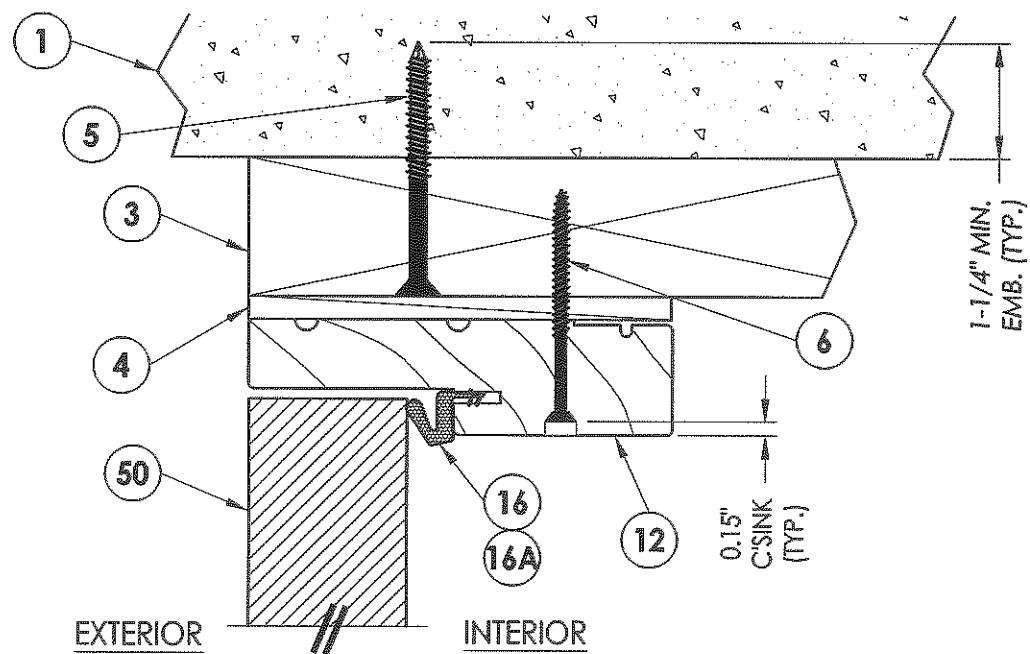
PRODUCT: **PLASTPRO INC. FIBERGLASS DOOR**

PART OR ASSEMBLY: **HORIZONTAL CROSS SECTIONS**

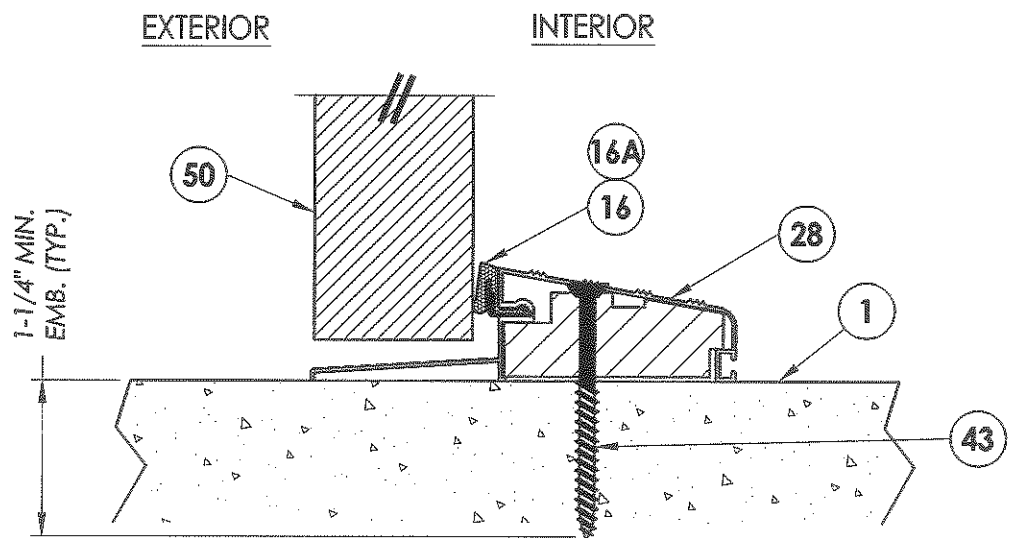
NO.	DATE	BY

DATE: 02/16/12
 SCALE: N.T.S.
 DWG. BY: JK
 CHK. BY: LFS
 DRAWING NO.: FL-15213.5
 SHEET 4 OF 9

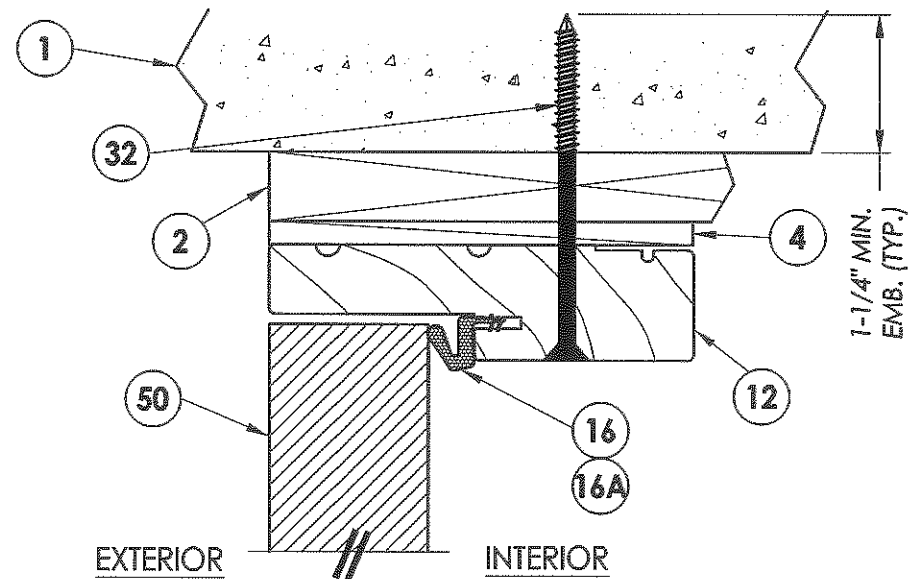
© 2012 R.W. BUILDING CONSULTANTS INC.



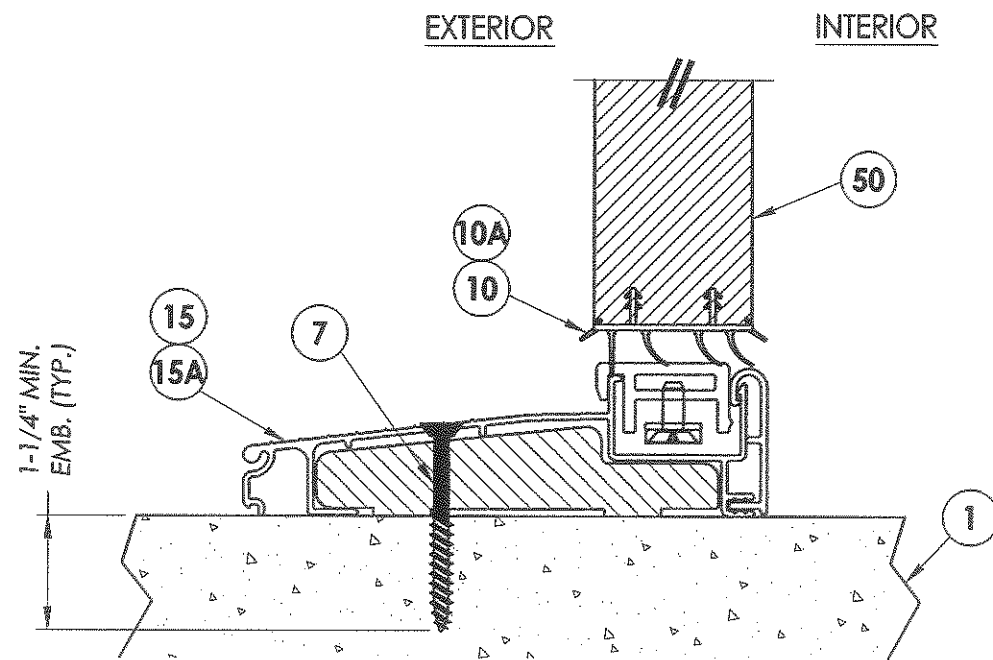
1 VERTICAL CROSS SECTION
5 Outswing shown - inswing also approved



3 VERTICAL CROSS SECTION
5 Outswing configuration



2 VERTICAL CROSS SECTION
5 Shown w/1X sub-buck



4 VERTICAL CROSS SECTION
5 Inswing configuration

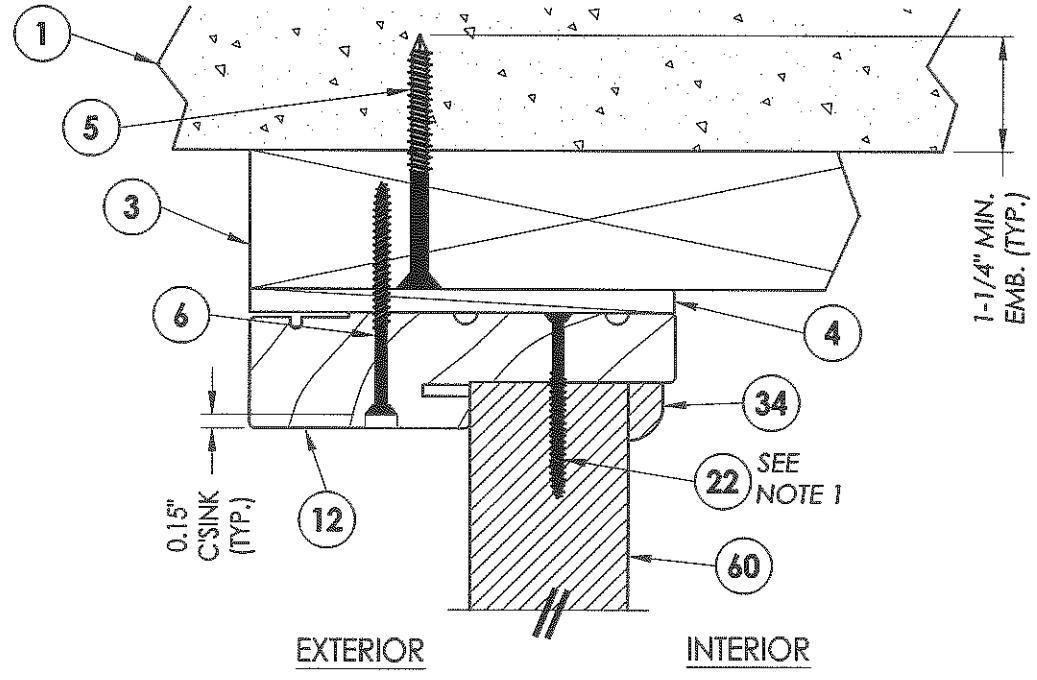
PRODUCT: PLASTPRO INC. FIBERGLASS DOOR
 PART OR ASSEMBLY: VERTICAL CROSS SECTIONS

NO.	DATE	BY	REVISIONS

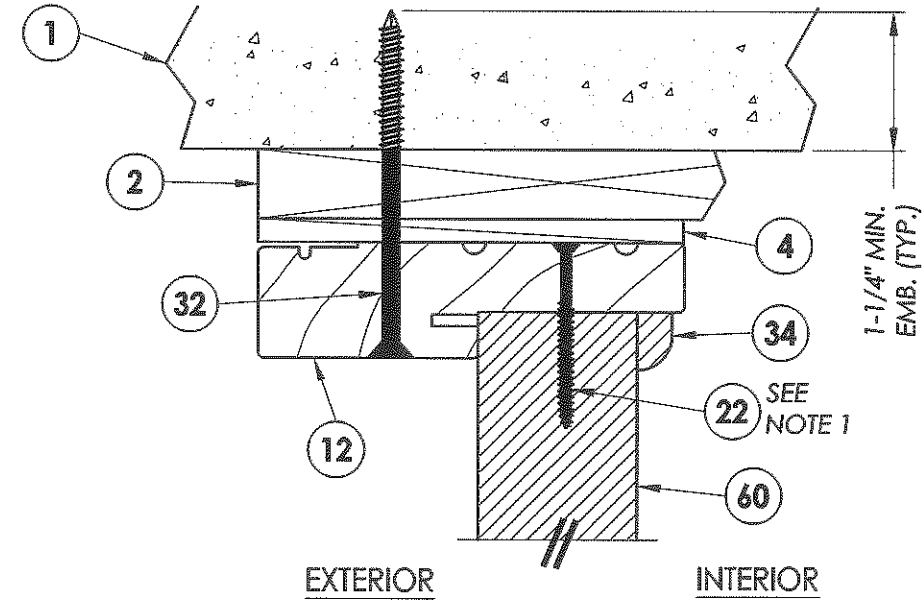
DATE: 02/16/12
 SCALE: N.T.S.
 DWG. BY: JK
 CHK. BY: LFS
 DRAWING NO.: FL-15213.5
 SHEET 5 OF 9

Documents Prepared By: **RW** BUILDING CONSULTANTS, INC.
 P.O. Box 230 Valrico FL 33595
 Phone No.: 813.659.9197
 Florida Board of Professional Engineers
 Certificate Of Authorization No. 9813
 Lyndon F. Schmidt, P.E. No. 43409

R:\A - Projects\Project Folders\proj 1501 - 1600\PF 1587\D. RWBC Drawings\2010\FL-15213.1-8.dwg, 6.5

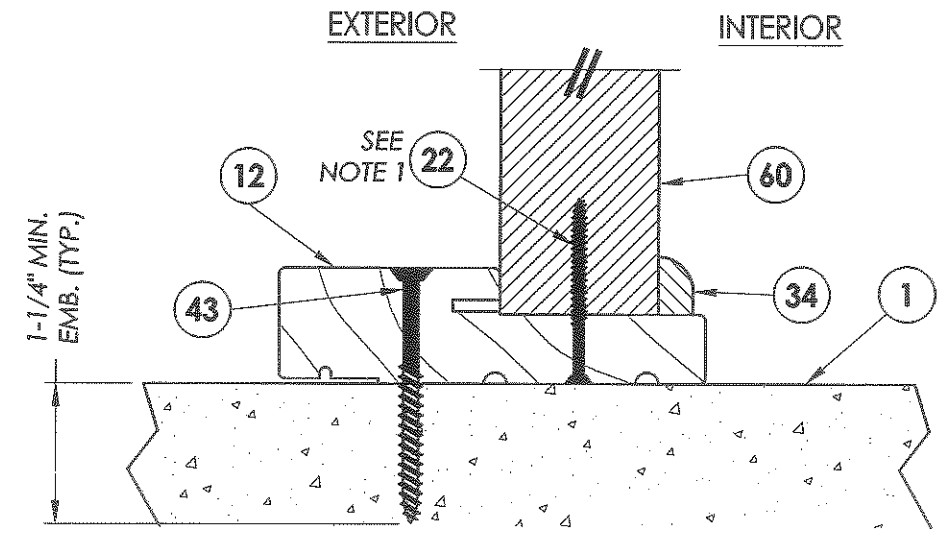


1 VERTICAL CROSS SECTION
 6 Outswing shown - inswing also approved

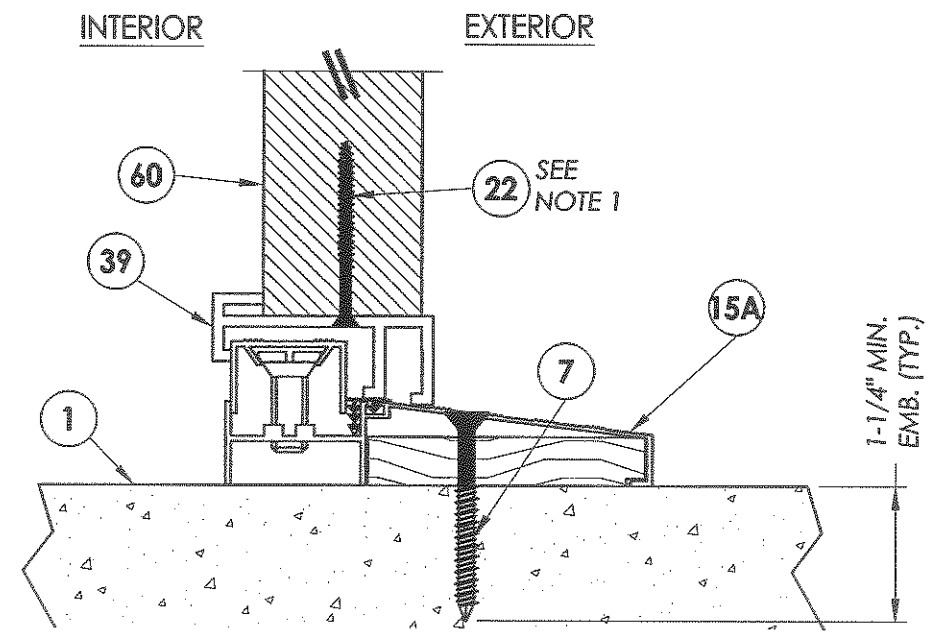


2 VERTICAL CROSS SECTION
 6 Shown w/1X sub-buck

NOTE:
 1. Sidelite panel secured to the sidelite frame with (4) of item #22 located 10", 30.5", 51" and 71.5" from top of each jamb and (2) of item #22 in the head and sill 3" from each end



3 VERTICAL CROSS SECTION
 6 Outswing configuration



4 VERTICAL CROSS SECTION
 6 Inswing configuration

Documents Prepared By:
RW BUILDING CONSULTANTS, INC.
 P.O. Box 230 Valrico FL 33595
 Phone No.: 813.659.9197
 Florida Board of Professional Engineers
 Certificate of Authorization No. 9813
 Lynden F. Schmidt, P.E. No. 43409

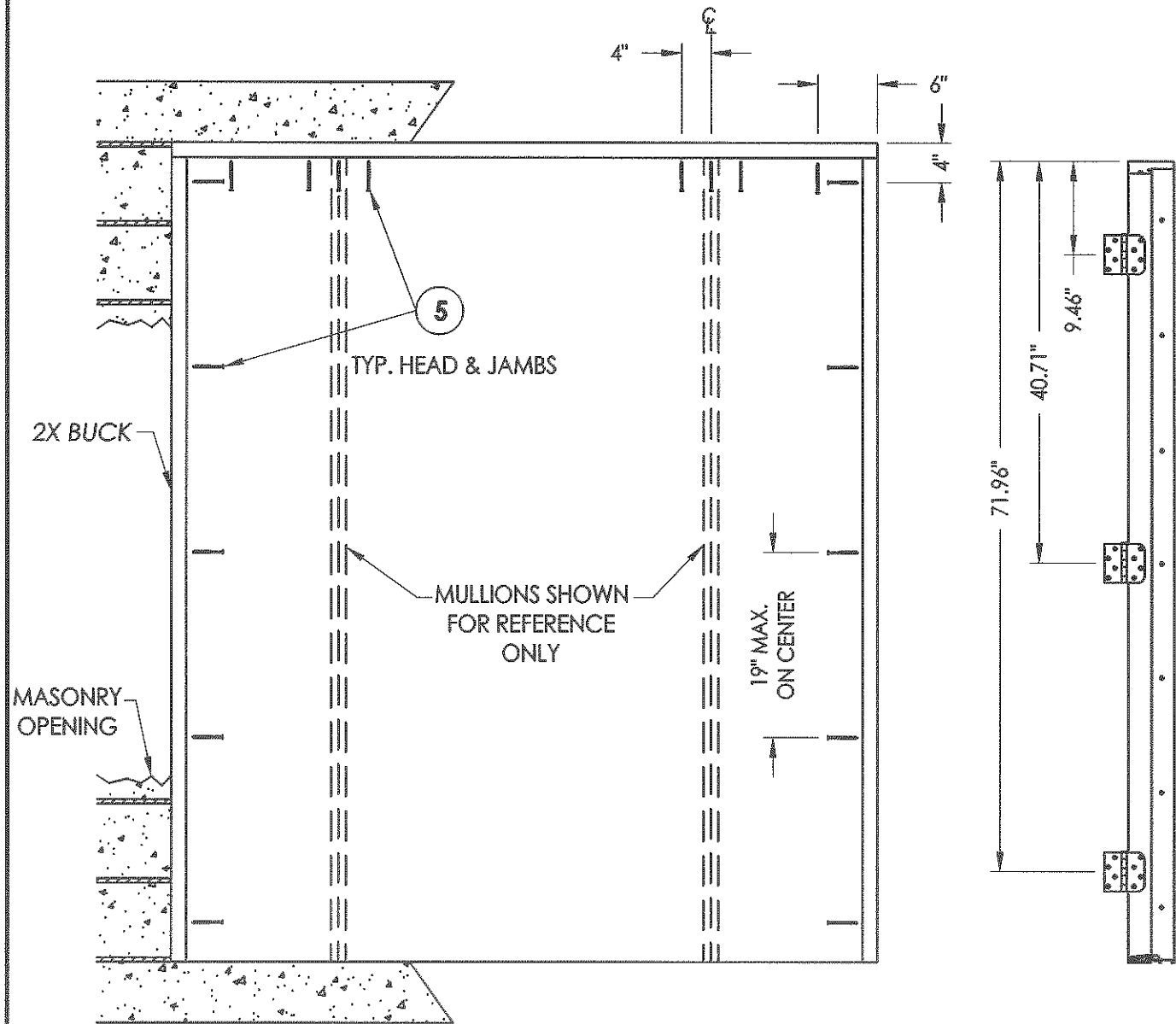
PRODUCT:
 PLASTPRO INC.
 FIBERGLASS DOOR

PART OR ASSEMBLY:
 VERTICAL CROSS SECTIONS

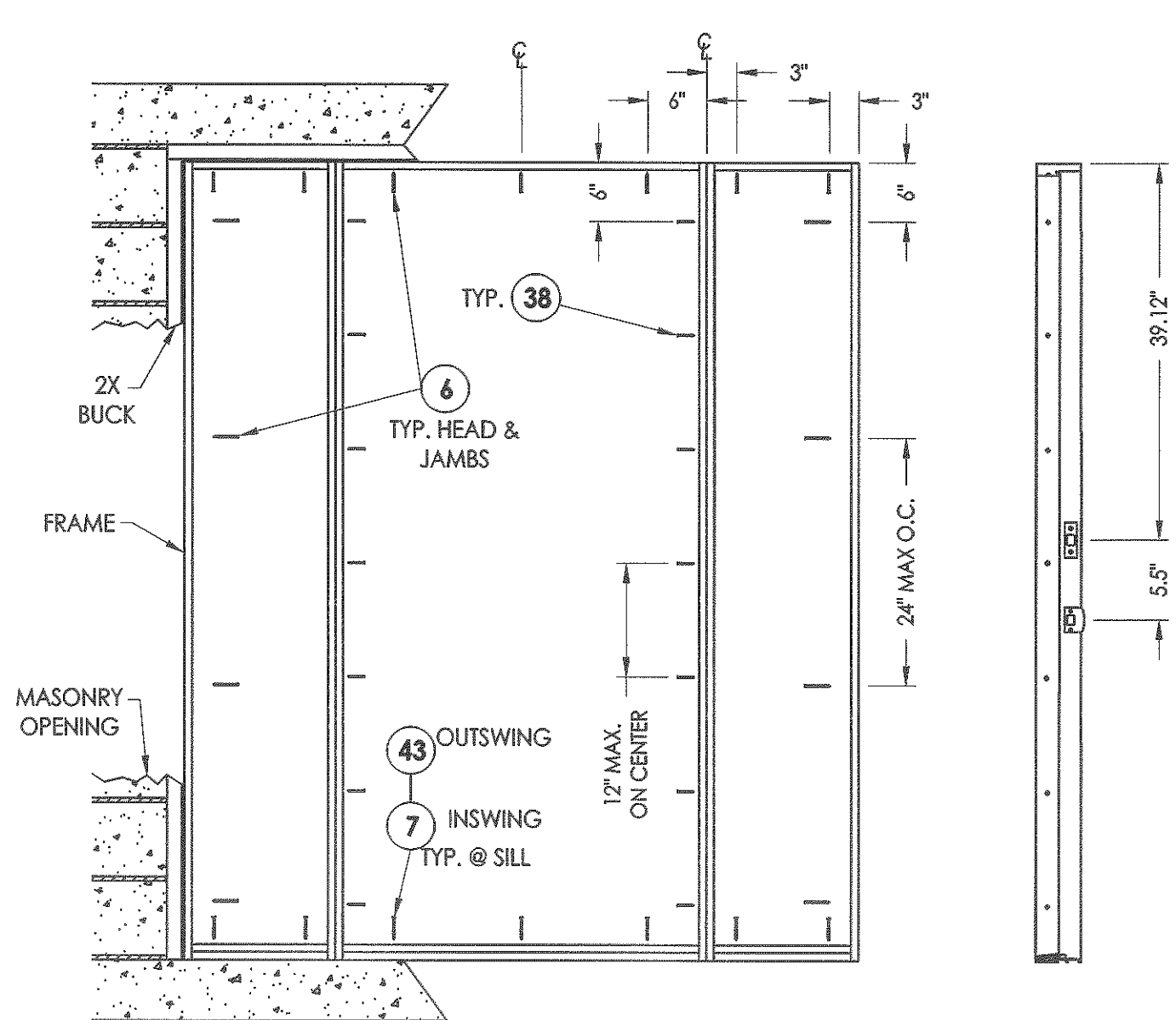
NO	DATE	BY

DATE: 02/16/12
 SCALE: N.T.S.
 DWG. BY: JK
 CHK. BY: LFS
 DRAWING NO.: FL-15213.5
 SHEET 6 OF 9

© 2012 R.W. BUILDING CONSULTANTS INC.



BUCK ANCHORING



FRAME ANCHORING
Masonry 2X buck construction

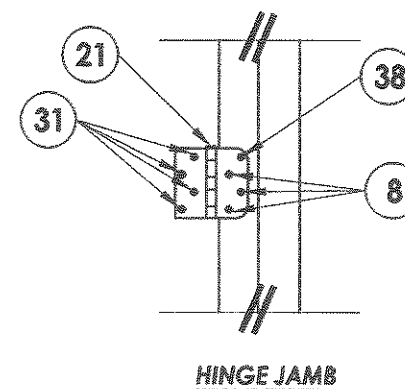
STRIKE JAMB

HINGE JAMB

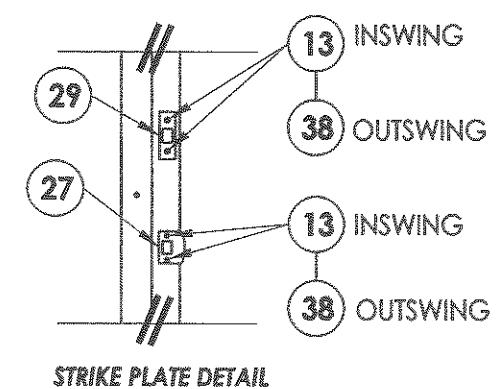
CONCRETE ANCHOR NOTES:

1. Substitution of equal concrete anchors from a different supplier may have different edge distance and center distance requirements.
2. Concrete anchor locations at the corners may be adjusted to maintain the min. edge distance to mortar joints. If concrete anchor locations noted as "MAX. ON CENTER" must be adjusted to maintain the min. edge distance to mortar joints, additional concrete anchors may be required to ensure the "MAX. ON CENTER" dimensions are not exceeded.
3. Concrete anchor table:

ANCHOR TYPE	ANCHOR SIZE	MIN. EMBEDMENT	MIN. CLEARANCE TO MASONRY EDGE	MIN. CLEARANCE TO ADJACENT ANCHOR
ITW	1/4"	1-1/4"	2-1/2"	3"
ELCO	1/4"	1-1/4"	1"	4"



HINGE JAMB



STRIKE PLATE DETAIL

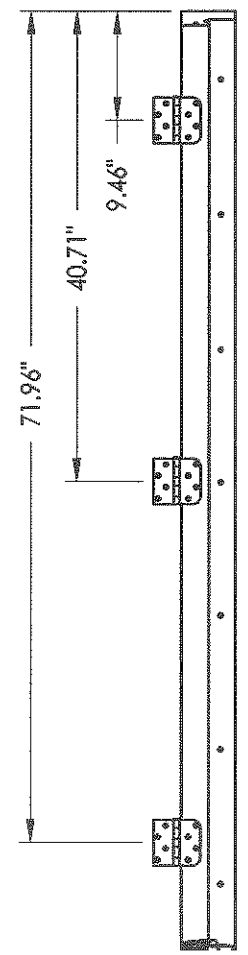
Documents Prepared By:

RW BUILDING CONSULTANTS, INC.
P.O. Box 230 Valrico FL 33595
Phone No.: 813.659.9197
Florida Board of Professional Engineers
Certificate Of Authorization No. 9813
Lyndon F. Schmidt, P.E. No. 43409

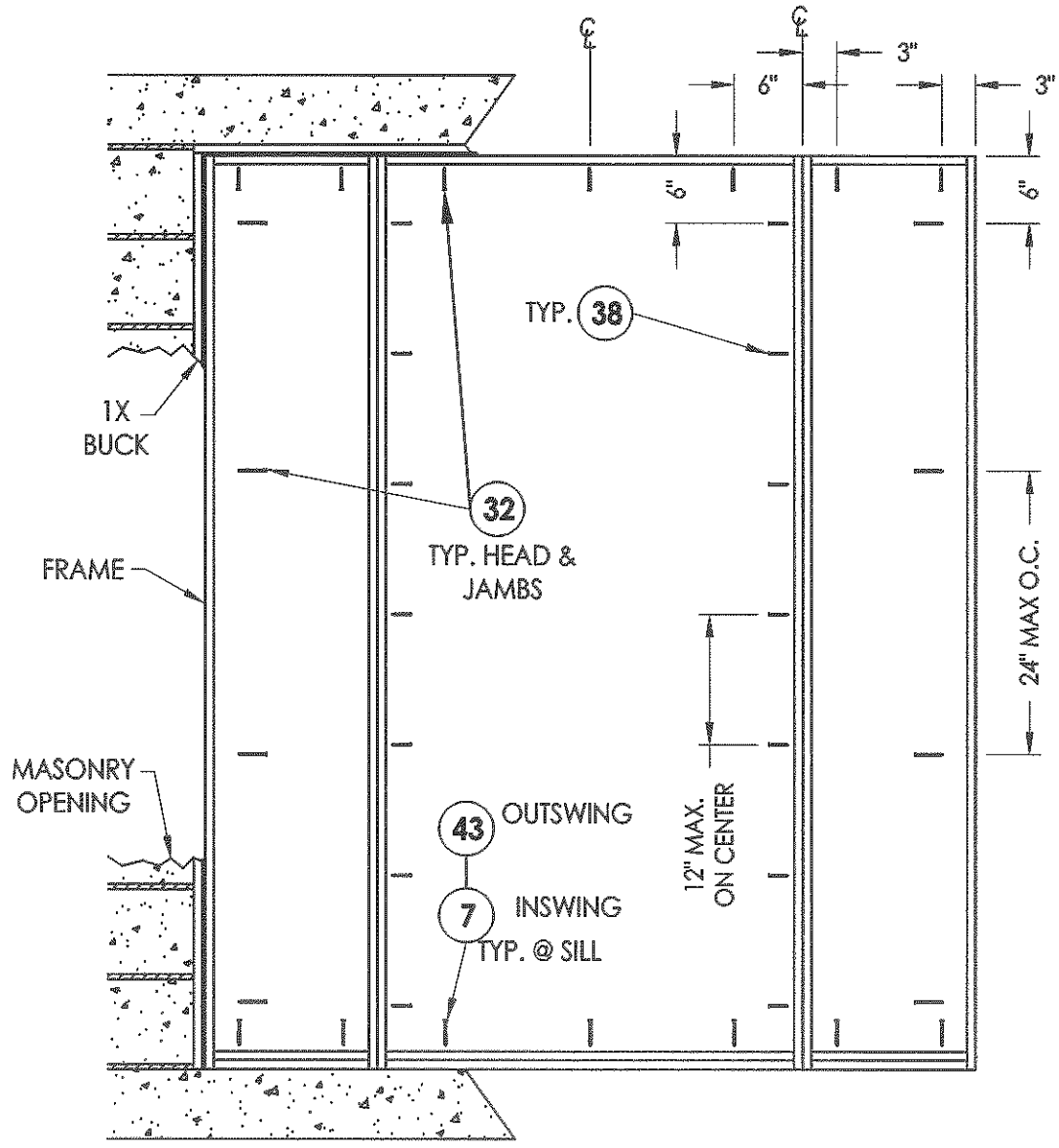
PRODUCT: **PLASTPRO INC. FIBERGLASS DOOR**
PART OR ASSEMBLY: **BUCK & FRAME ANCHORING 2X BUCK MASONRY CONSTRUCTION**

NO.	DATE	BY	REVISIONS

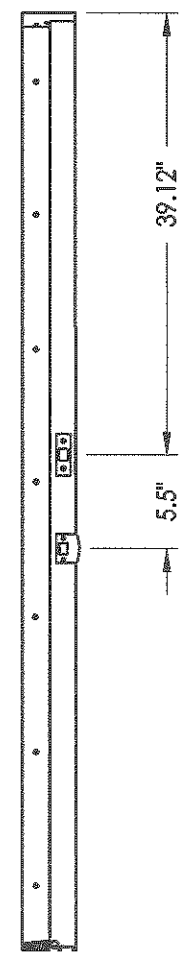
DATE: 02/16/12
SCALE: N.T.S.
DWG. BY: JK
CHK. BY: LFS
DRAWING NO.: FL-15213.5
SHEET 7 OF 9



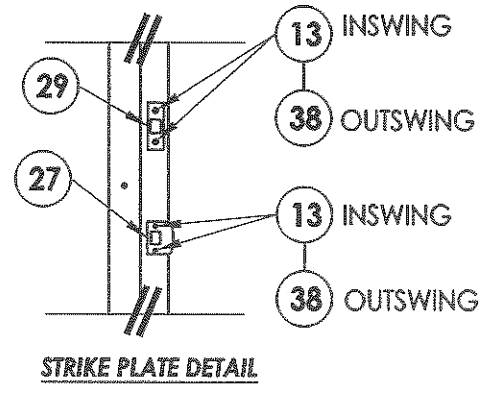
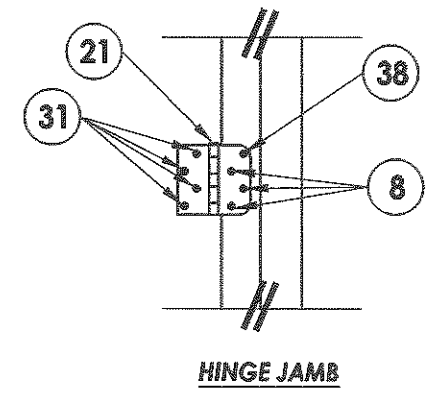
HINGE JAMB



FRAME ANCHORING
Masonry 1X buck construction



STRIKE JAMB



CONCRETE ANCHOR NOTES:

1. Substitution of equal concrete anchors from a different supplier may have different edge distance and center distance requirements.
2. Concrete anchor locations at the corners may be adjusted to maintain the min. edge distance to mortar joints. If concrete anchor locations noted as "MAX. ON CENTER" must be adjusted to maintain the min. edge distance to mortar joints, additional concrete anchors may be required to ensure the "MAX. ON CENTER" dimensions are not exceeded.
3. Concrete anchor table:

ANCHOR TYPE	ANCHOR SIZE	MIN. EMBEDMENT	MIN. CLEARANCE TO MASONRY EDGE	MIN. CLEARANCE TO ADJACENT ANCHOR
ITW	1/4"	1-1/4"	2-1/2"	3"

Documents Prepared By:

RW BUILDING CONSULTANTS, INC.
P.O. Box 230 Vairco FL 33595
Phone No.: 813.659.9197
Florida Board of Professional Engineers
Certificate Of Authorization No. 9813
Lyndon F. Schmidt
Lyndon F. Schmidt, P.E. No. 43409

PRODUCT: PLASTPRO INC. FIBERGLASS DOOR
PART OR ASSEMBLY: FRAME ANCHORING
1X BUCK MASONRY CONSTRUCTION

NO.	DATE	BY	REVISIONS

DATE: 02/16/12
SCALE: N.T.S.
DWG. BY: JK
CHK. BY: LFS
DRAWING NO.: FL-15213.5
SHEET 8 OF 9

