

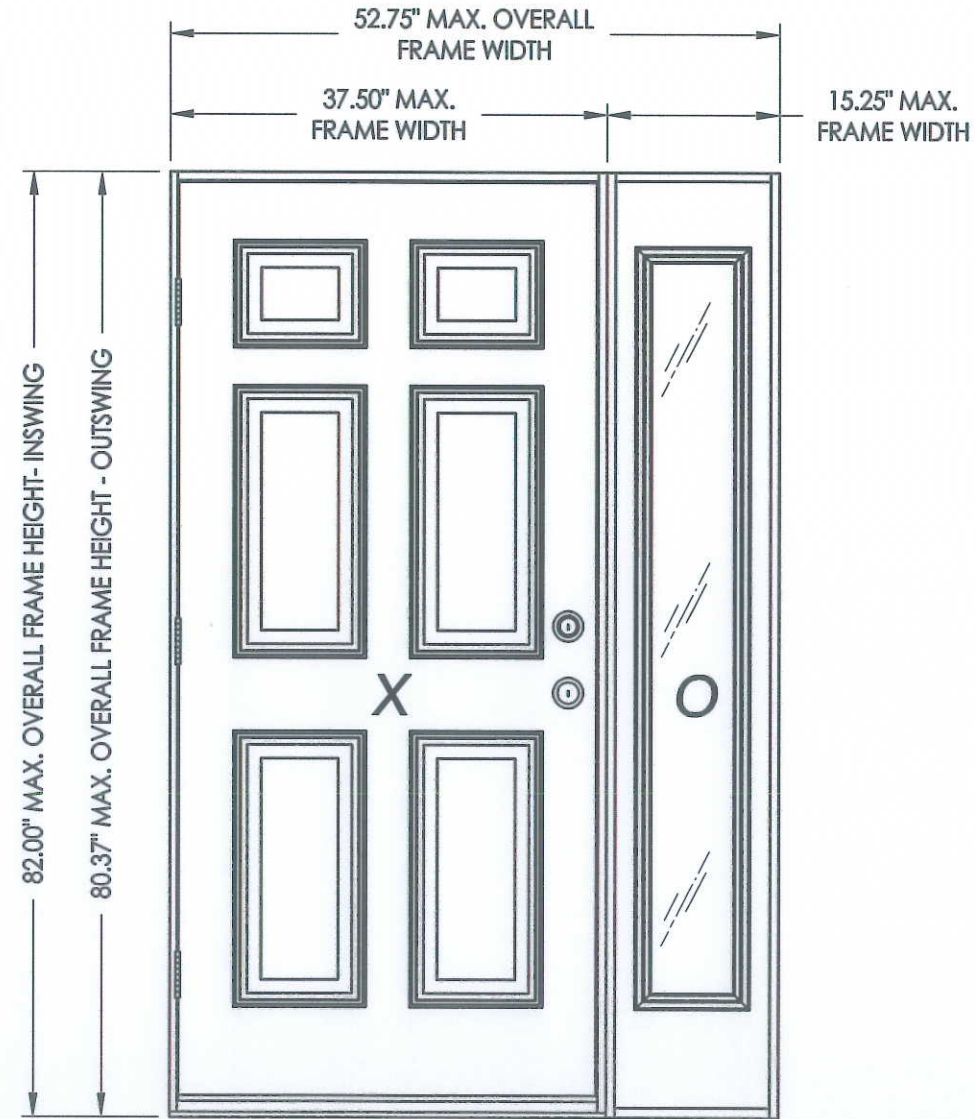


5200 W. CENTURY BLVD.  
LOS ANGELES, CA 90045

**Smooth / Wood Grain / White Wood Grain  
Rustic / Mahogany  
Series Fiberglass Door  
INSWING / OUTSWING  
"IMPACT"**

GENERAL NOTES

1. This product has been evaluated and is in compliance with the 2010 Florida Building Code (FBC) structural requirements excluding the "High Velocity Hurricane Zone" (HVHZ).
2. Product anchors shall be as listed and spaced as shown on details. Anchor embedment to base material shall be beyond wall dressing or stucco.
3. When used in areas requiring wind borne debris protection this product complies with Section 1609.1.2 of the FBC and does not require an impact resistant covering. This product meets missile level "D" and includes Wind Zone 4 as defined in ASTM E1996 and Section 1609.1.2.4 of the FBC. The sidelite must be protected with an impact resistant covering that complies with Section 1609.1.2.
4. For 2x stud framing construction, anchoring of these units shall be the same as that shown for 2x buck masonry construction.
5. Site conditions that deviate from the details of this drawing require further engineering analysis by a licensed engineer or registered architect.



| TABLE OF CONTENTS |   |
|-------------------|---|
| SHEET #           | DESCRIPTION   |
| 1                 | Typical elevation, design pressures, & general notes    |
| 2                 | Door panel details                                      |
| 3                 | Sidelite panel details                                  |
| 4                 | Horizontal cross sections                               |
| 5                 | Vertical cross sections                                 |
| 6                 | Vertical cross sections                                 |
| 7                 | Buck and frame anchoring - 2X buck masonry construction |
| 8                 | Frame anchoring - 1X buck masonry construction          |
| 9                 | Bill of materials, glazing detail & components          |

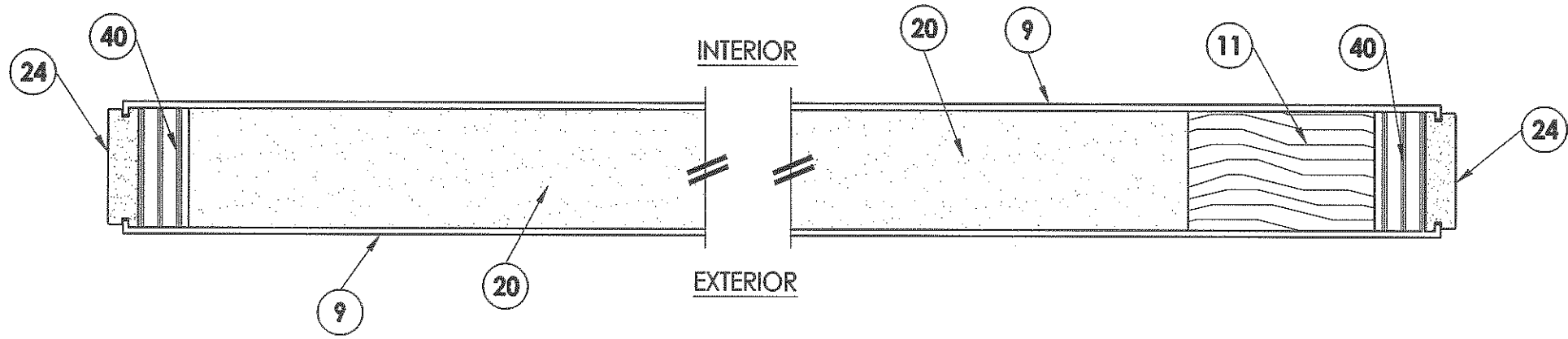
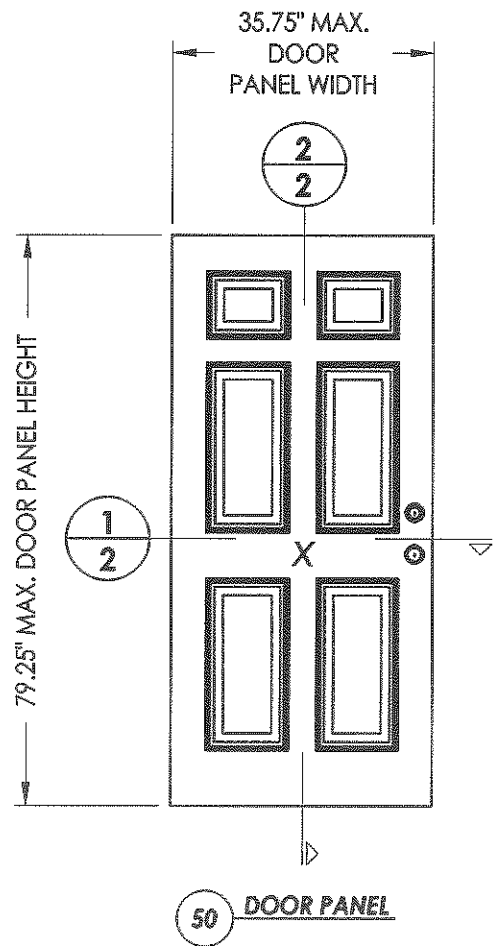
| SWING    | OVERALL FRAME DIMENSION | SIDELITE D.L.O. DIMENSION | GLASS TYPE | DESIGN PRESSURE (PSF) |          |
|----------|-------------------------|---------------------------|------------|-----------------------|----------|
|          |                         |                           |            | POSITIVE              | NEGATIVE |
| INSWING  | 52.75" x 82.00"         | 7.00" x 63.00"            | G1         | +50.0                 | -50.0    |
| OUTSWING | 52.75" x 80.37"         | 7.00" x 63.00"            |            |                       |          |

Documents Prepared By:  
**RW** BUILDING CONSULTANTS, INC.  
P.O. Box 230 Vairico FL 33595  
Phone No.: 813.659.9197  
Florida Board of Professional Engineers  
Certificate of Authorization No. 9813  
*LFS* 2.17.12  
Lyndon F. Schmidt, P.E. No. 43409

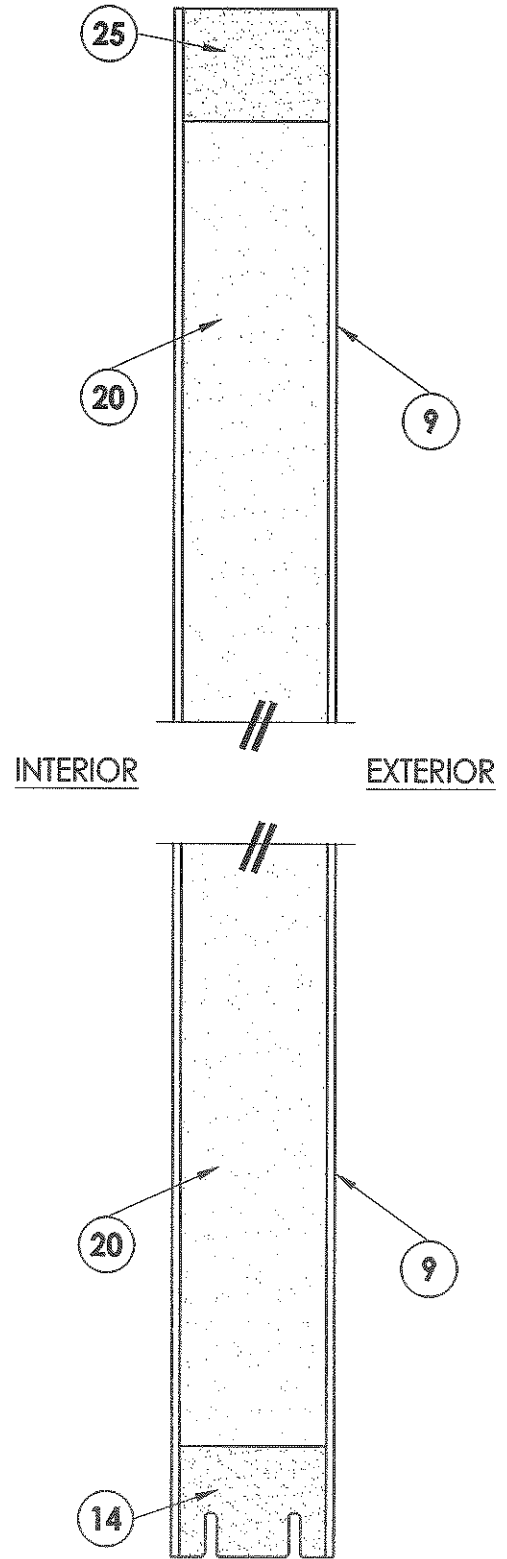
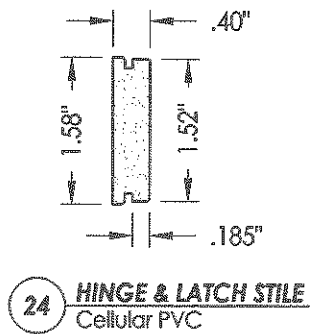
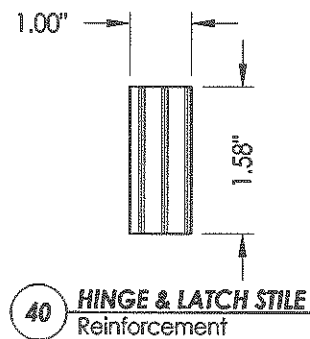
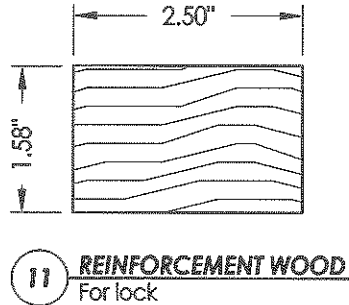
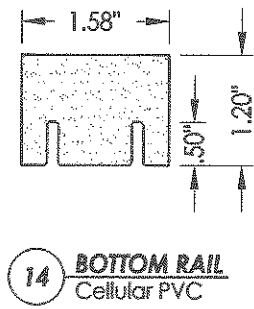
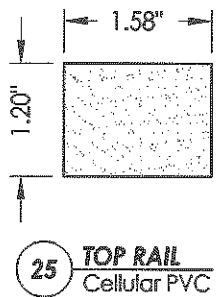
PRODUCT: PLASTPRO INC. FIBERGLASS DOOR  
PART OR ASSEMBLY: TYPICAL ELEVATION, DESIGN PRESSURES & GENERAL NOTES

| NO. | DATE | BY | REVISIONS |
|-----|------|----|-----------|
|     |      |    |           |
|     |      |    |           |
|     |      |    |           |

DATE: 02/16/12  
SCALE: N.T.S.  
DWG. BY: JK  
CHK. BY: LFS  
DRAWING NO.: FL-15213.4  
SHEET 1 OF 9



1  
2 HORIZONTAL CROSS SECTION



2  
2 VERTICAL CROSS SECTION

Documents Prepared By:  
**RW** BUILDING CONSULTANTS, INC.  
 P.O. Box 230 Valrico FL, 33595  
 Phone No.: 813.659.9197  
 Florida Board of Professional Engineers  
 Certificate Of Authorization No. 9813  
*LFS* 2.17.12  
 Lyndon F. Schmidt, P.E. No. 43409

PRODUCT:  
 PLASTPRO INC.  
 FIBERGLASS DOOR

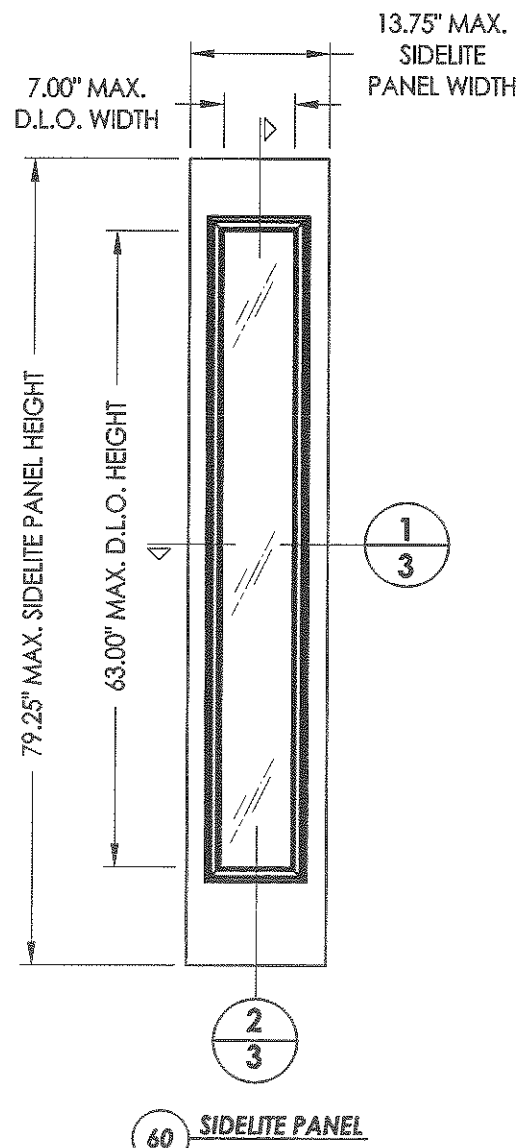
PART OR ASSEMBLY:  
 DOOR PANEL DETAILS

| NO. | DATE | BY | REVISIONS |
|-----|------|----|-----------|
|     |      |    |           |
|     |      |    |           |
|     |      |    |           |
|     |      |    |           |

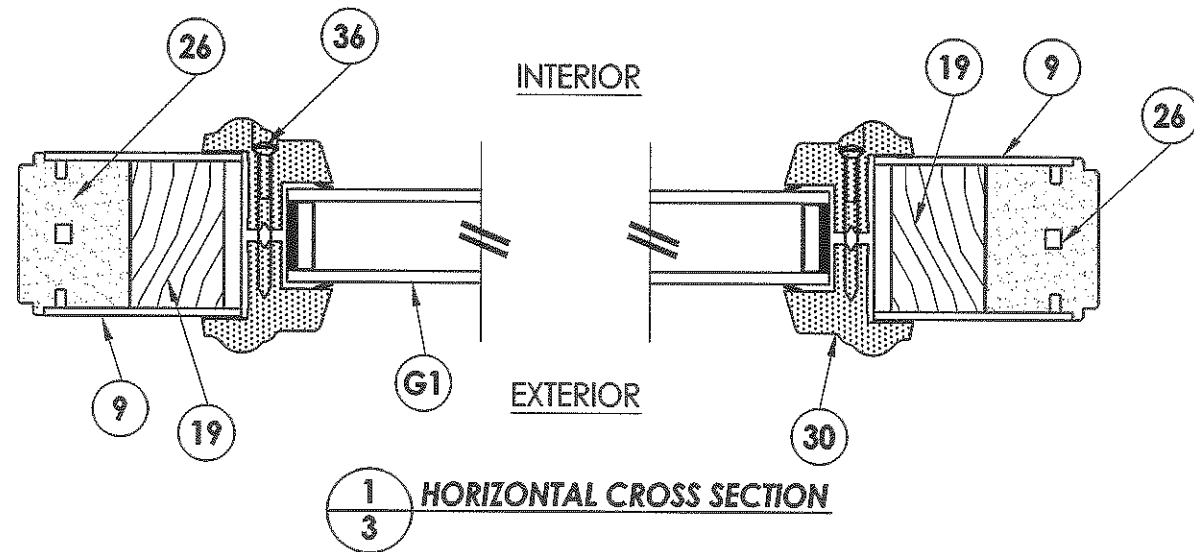
DATE: 02/16/12  
 SCALE: N.T.S.  
 DWG. BY: JK  
 CHK. BY: LFS  
 DRAWING NO.: FL-15213.4  
 SHEET 2 OF 9



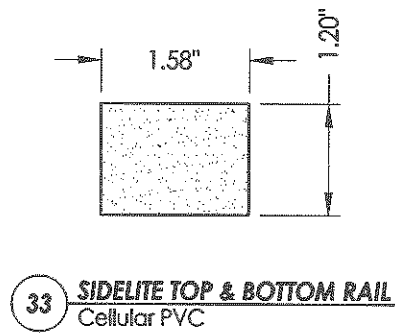
R:\A - Projects\Project Folders\proj 1501 - 1600\PF 1587\D. RWBC Drawings\2010\FL-15213.1-8.dwg, 3.4



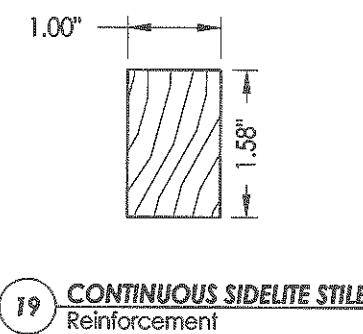
60 SIDELITE PANEL



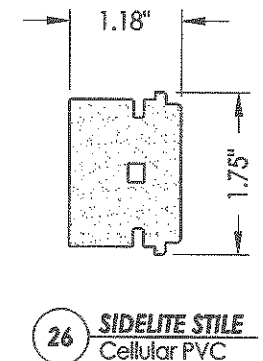
1  
3 HORIZONTAL CROSS SECTION



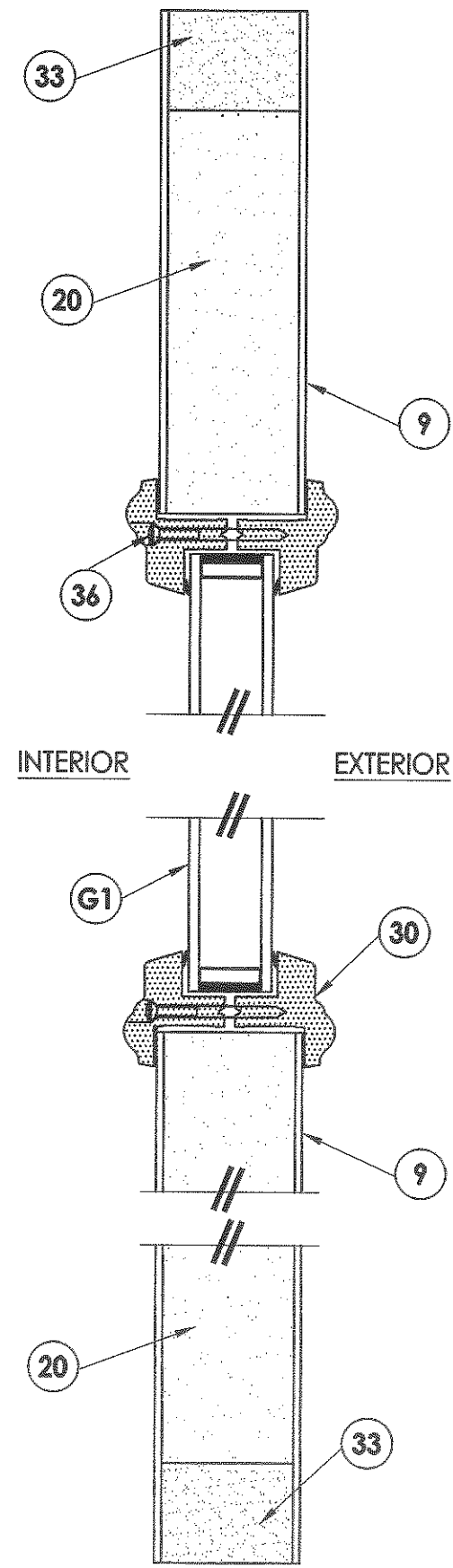
33 SIDELITE TOP & BOTTOM RAIL  
Cellular PVC



19 CONTINUOUS SIDELITE STILE  
Reinforcement



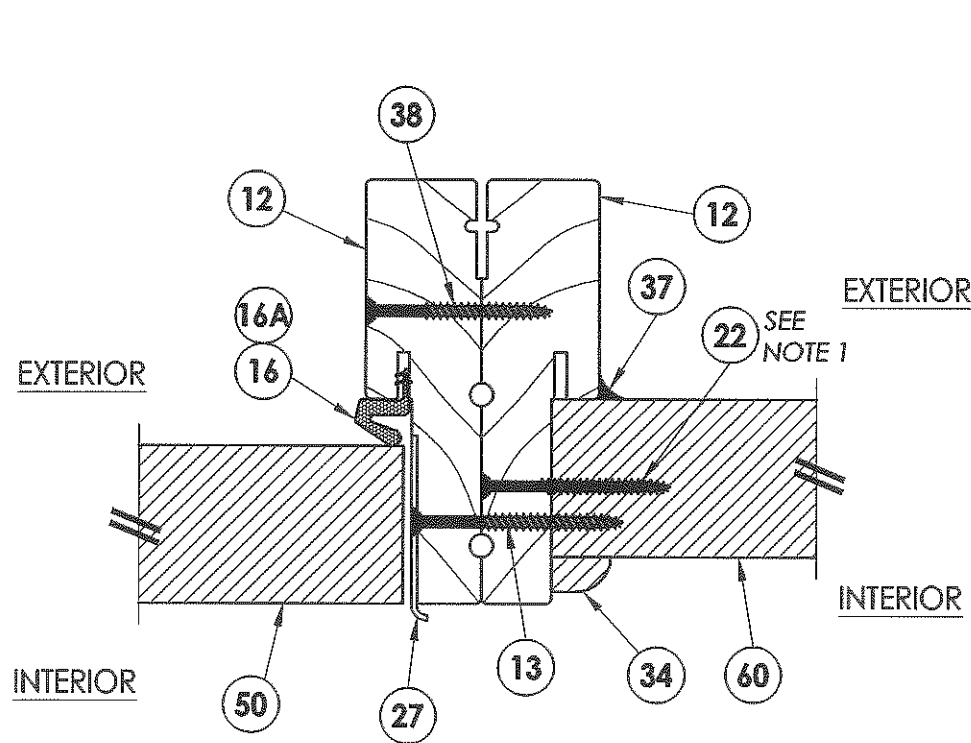
26 SIDELITE STILE  
Cellular PVC



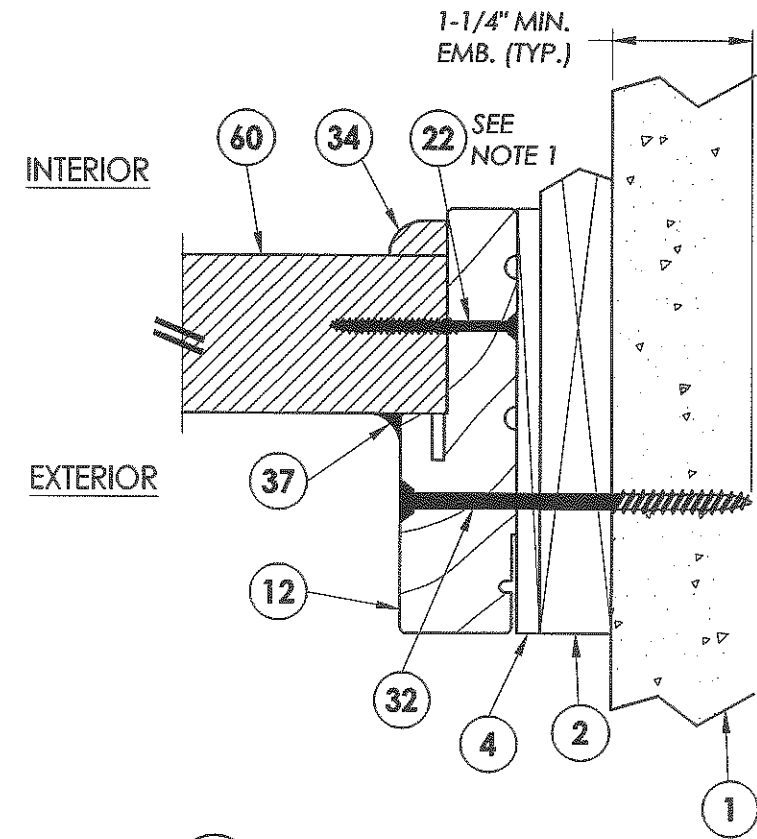
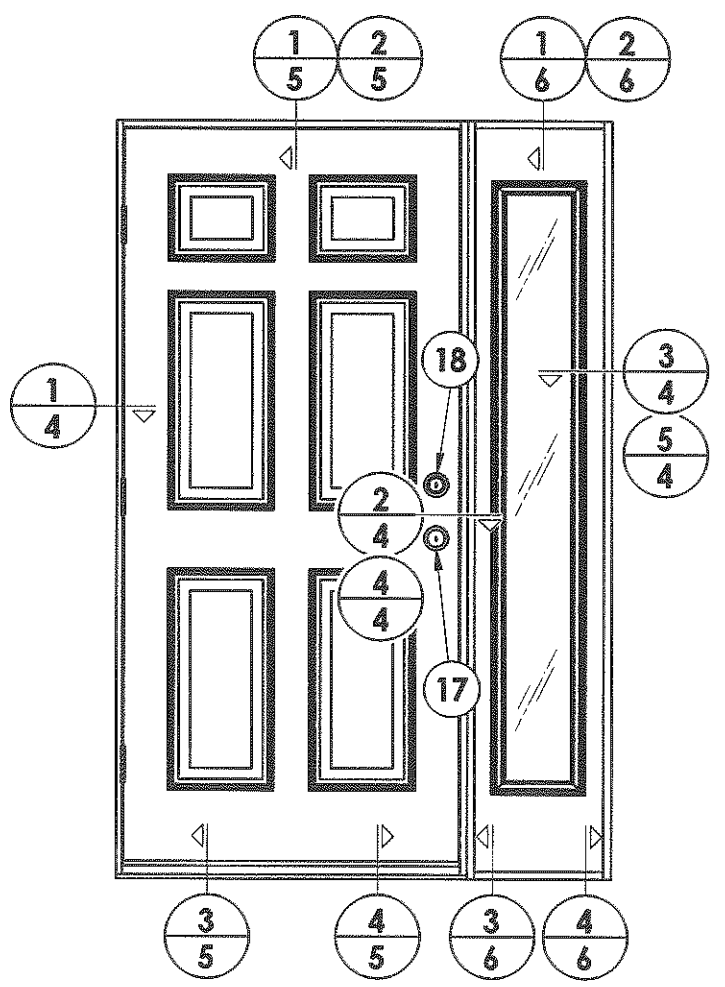
2  
3 VERTICAL CROSS SECTION

|  |  |
|--|--|
| Documents Prepared By:<br><b>RW</b> BUILDING CONSULTANTS, INC.<br>P.O. Box 230 Valrico FL 33595<br>Phone No.: 813.659.9197<br>Florida Board of Professional Engineers<br>Certificate Of Authorization No. 9813<br><i>FL-15213.1-8</i> 2-17-12<br>Lyndon F. Schmidt, P.E. No. 43409 |  |
| PRODUCT:<br><b>PLASTPRO INC.</b><br><b>FIBERGLASS DOOR</b>   | PART OR ASSEMBLY:<br><b>SIDELITE PANEL DETAILS</b> |
| NO. DATE<br>_____<br>_____   | BY<br>_____  |
| REVISIONS  |  |
| DATE: 02/16/12<br>SCALE: N.T.S.<br>DWG. BY: JK<br>CHK. BY: LFS<br>DRAWING NO.: FL-15213.4<br>SHEET 3 OF 9  |  |

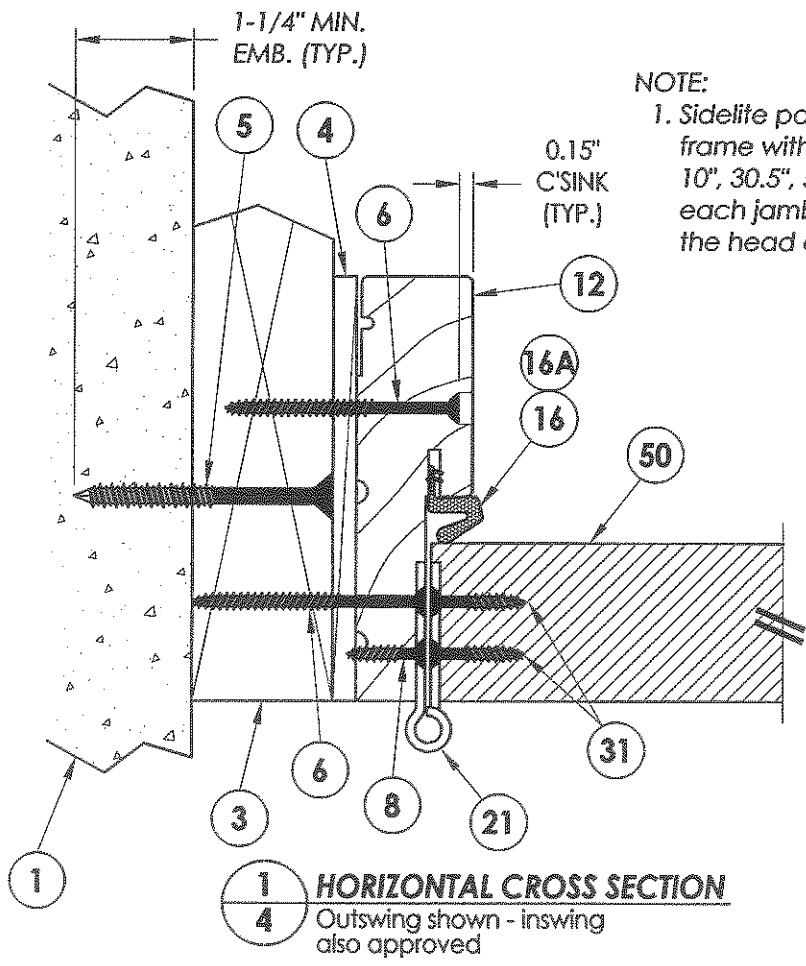
R:\A - Projects\Project Folders\proj 1501 - 1600\PF 1587\D. RWBC Drawings\2010\FL-15213.1-8.dwg, 4.4



**4 HORIZONTAL CROSS SECTION**  
4 Inswing configuration

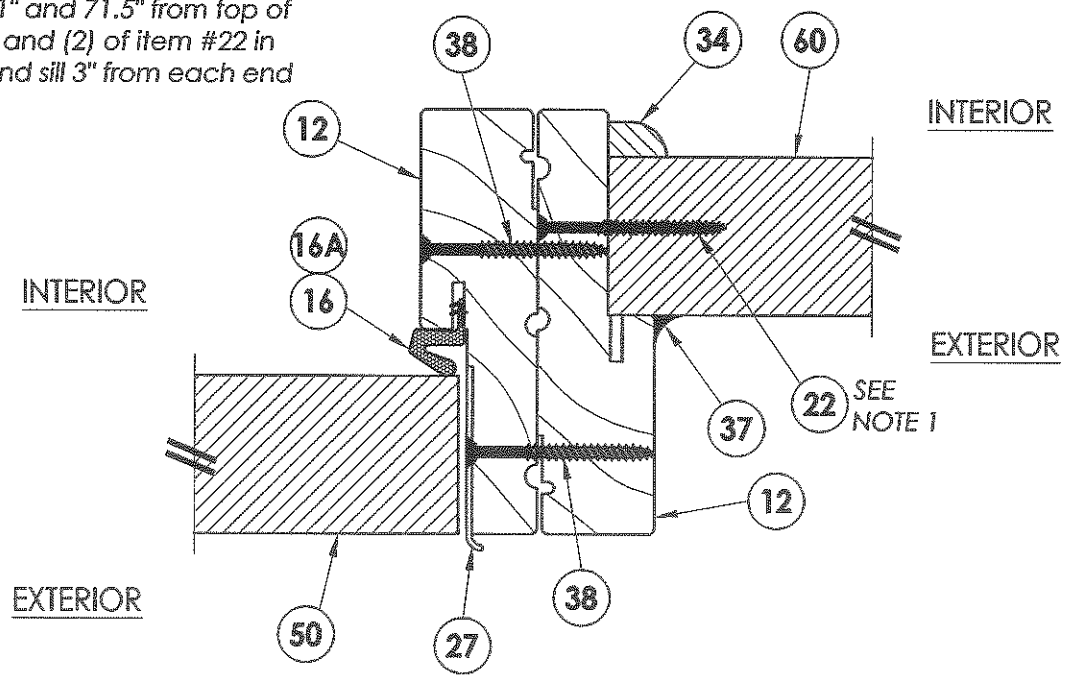


**5 HORIZONTAL CROSS SECTION**  
4 Shown w/IX sub-buck

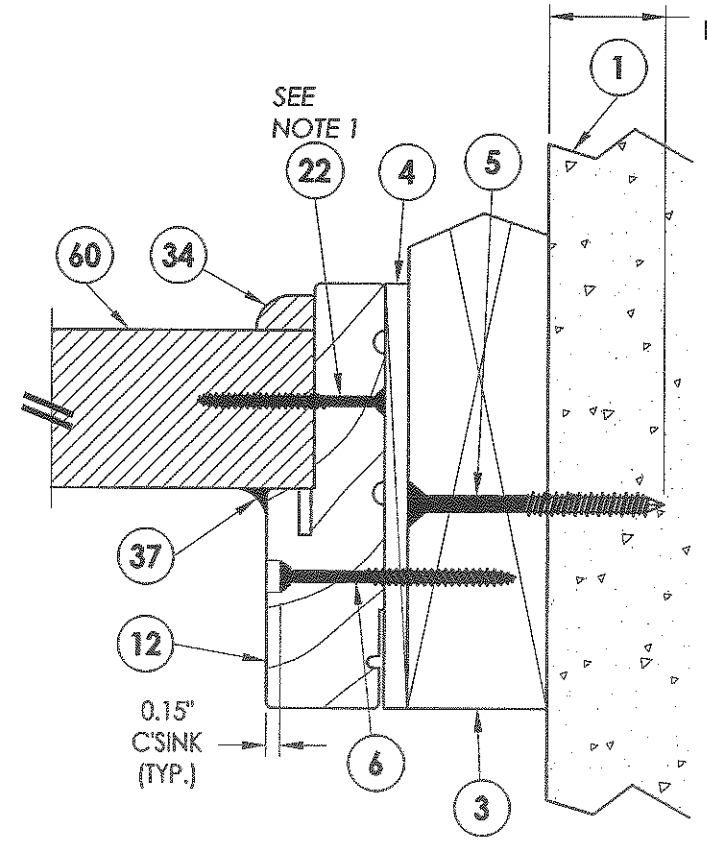


**1 HORIZONTAL CROSS SECTION**  
4 Outswing shown - inswing also approved

**NOTE:**  
1. Sidelite panel secured to the sidelite frame with (4) of item #22 located 10", 30.5", 51" and 71.5" from top of each jamb and (2) of item #22 in the head and sill 3" from each end

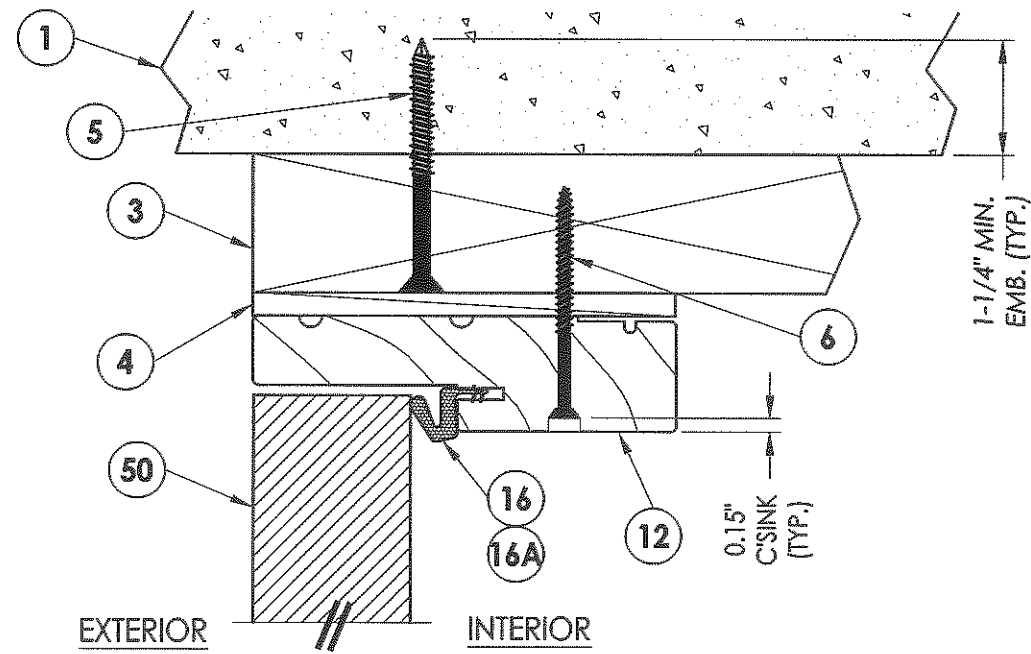


**2 HORIZONTAL CROSS SECTION**  
4 Outswing configuration

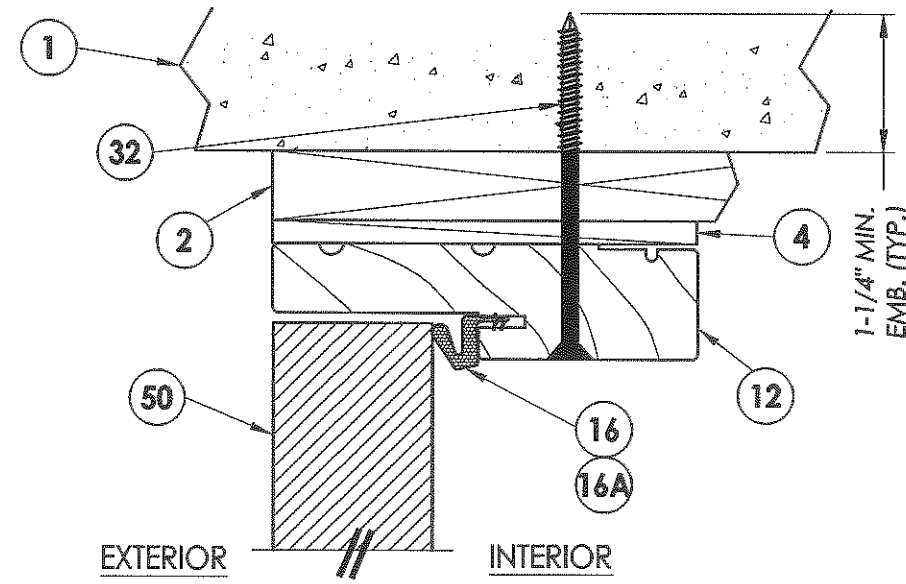


**3 HORIZONTAL CROSS SECTION**  
4 Outswing shown - inswing also approved

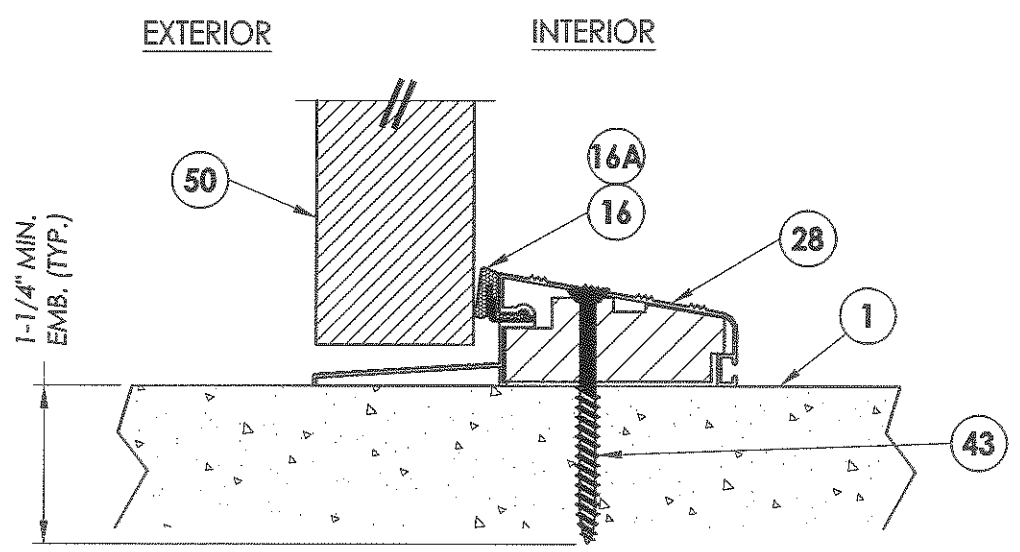
|                         |      |   |  |
|-------------------------|------|---|--|
| Documents Prepared By:  |      | BUILDING CONSULTANTS, INC.<br>P.O. Box 230 Valrico FL 33595<br>Phone No.: 813.659.9197<br>Florida Board of Professional Engineers<br>Certificate of Authorization No. 9813<br><i>RW</i> 2.7.12<br>Lyndon F. Schmidt, P.E. No. 43409 |  |
| PRODUCT:                |      | PLASTPRO INC.<br>FIBERGLASS DOOR  |  |
| PART OR ASSEMBLY:       |      | HORIZONTAL CROSS SECTIONS   |  |
| NO.                     | DATE | BY  |  |
|                         |      | REVISIONS   |  |
| DATE: 02/16/12          |      |   |  |
| SCALE: N.T.S.           |      |   |  |
| DWG. BY: JK             |      |   |  |
| CHK. BY: LFS            |      |   |  |
| DRAWING NO.: FL-15213.4 |      |   |  |
| SHEET 4 OF 9            |      |   |  |



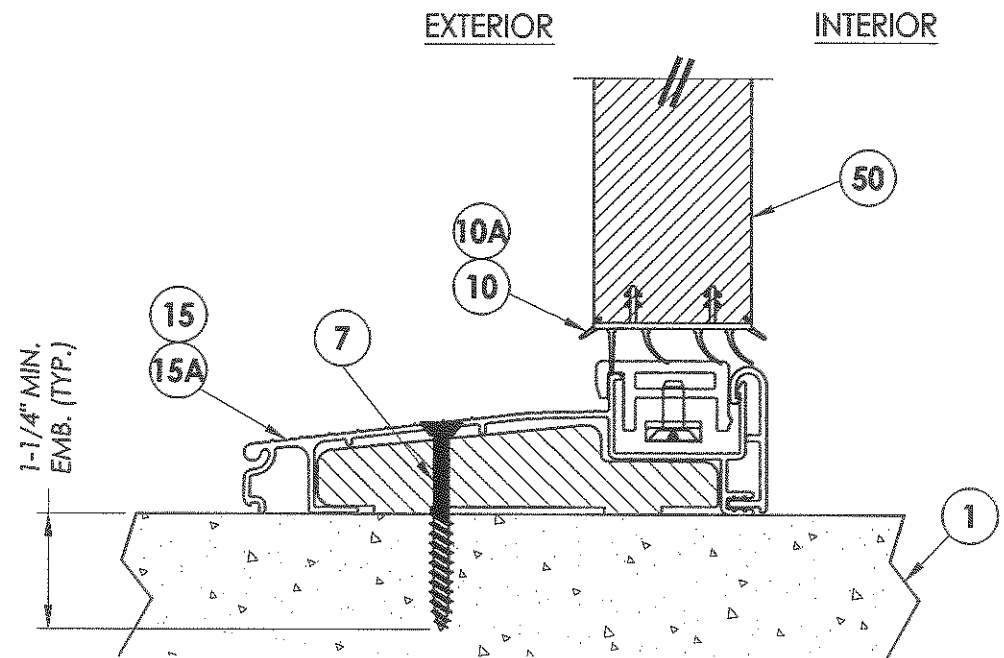
**1 VERTICAL CROSS SECTION**  
**5** Outswing shown - inswing also approved



**2 VERTICAL CROSS SECTION**  
**5** Shown w/TX sub-buck

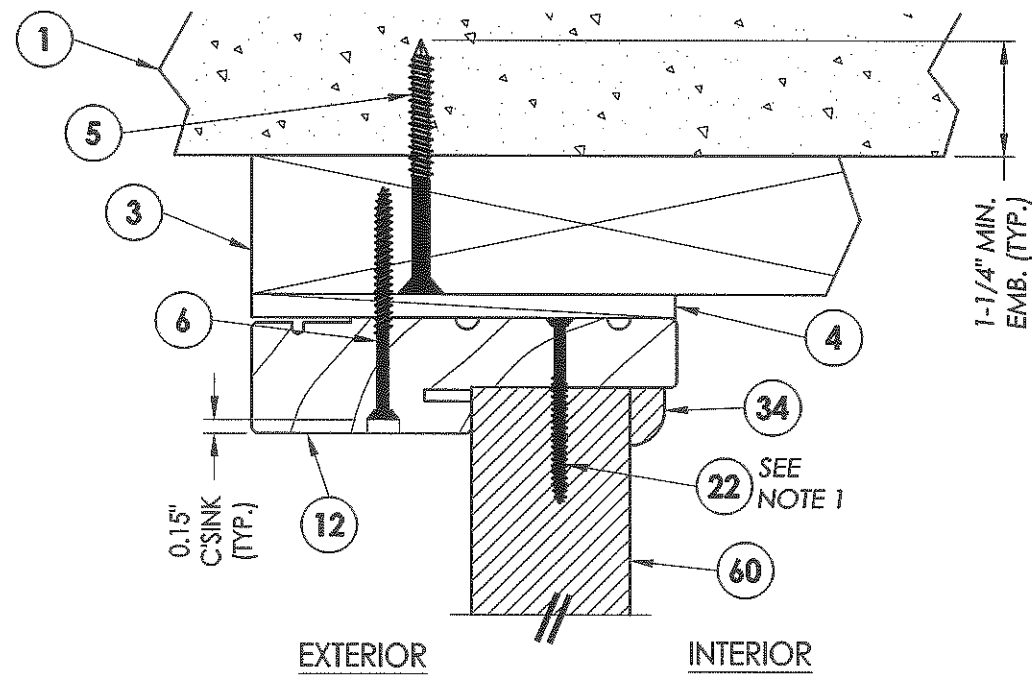


**3 VERTICAL CROSS SECTION**  
**5** Outswing configuration

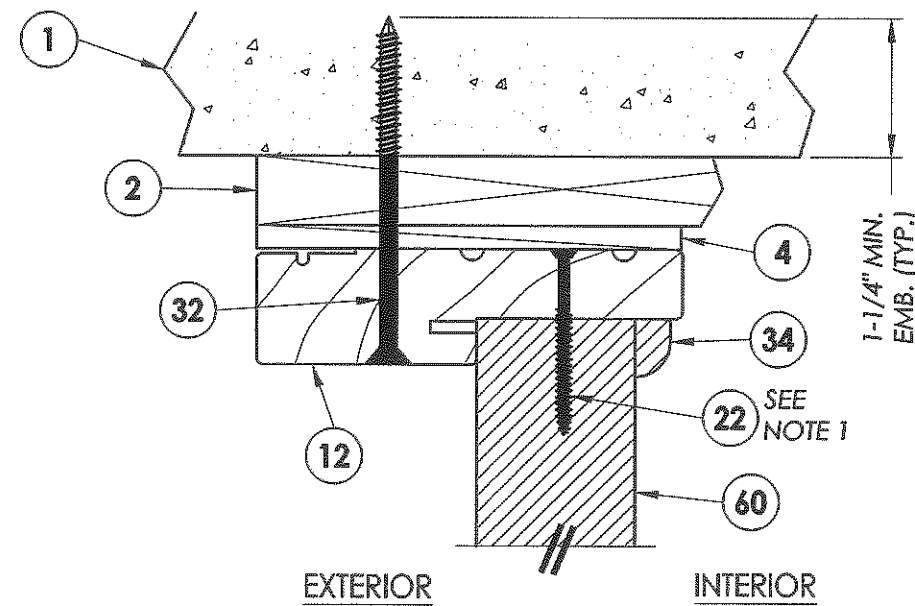


**4 VERTICAL CROSS SECTION**  
**5** Inswing configuration

|                         |                               |   |      |
|-------------------------|-------------------------------|---|------|
| Documents Prepared By:  |                               | RW BUILDING CONSULTANTS, INC.<br>P.O. Box 230 Valrico FL, 33595<br>Phone No.: 813.659.9197<br>Florida Board of Professional Engineers<br>Certificate Of Authorization No. 9813<br>Lyndon F. Schmidt, P.E. No. 43409 |      |
| PRODUCT:                | PLASTPRO INC. FIBERGLASS DOOR | VERTICAL CROSS SECTIONS   |      |
| PART OR ASSEMBLY:       |                               | NO.   | DATE |
|                         |                               | BY  |      |
|                         |                               | REVISIONS   |      |
| DATE: 02/16/12          |                               |   |      |
| SCALE: N.T.S.           |                               |   |      |
| DWG. BY: JK             |                               |   |      |
| CHK. BY: LFS            |                               |   |      |
| DRAWING NO.: FL-15213.4 |                               |   |      |
| SHEET 5 OF 9            |                               |   |      |

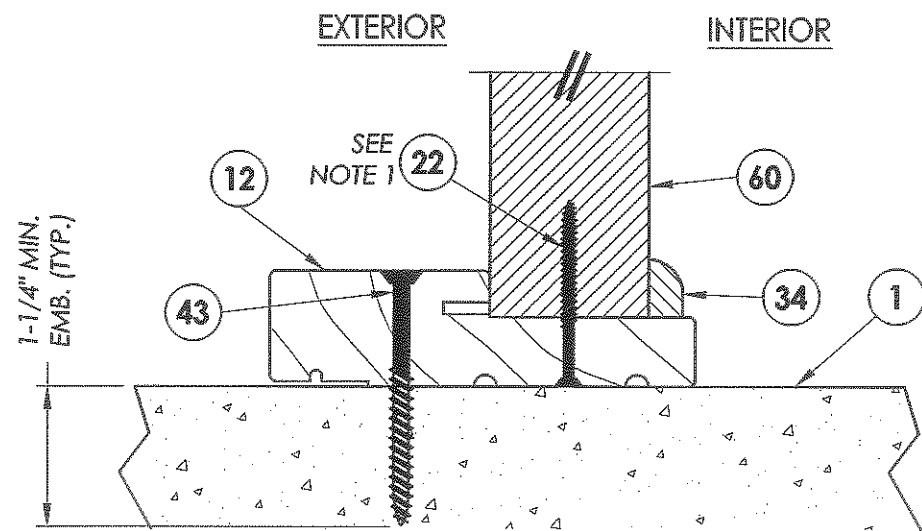


**1 VERTICAL CROSS SECTION**  
 6 Outswing shown - inswing also approved

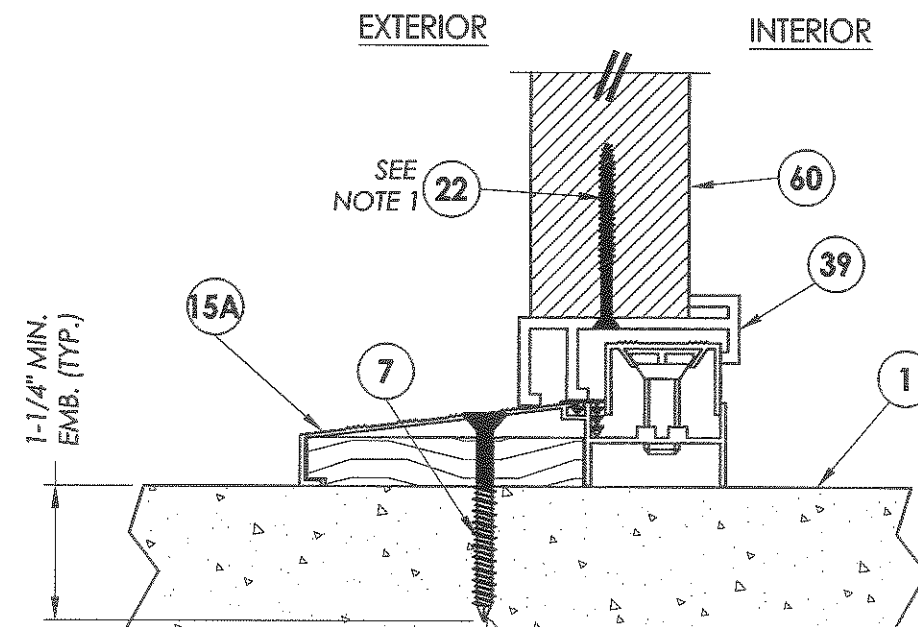


**2 VERTICAL CROSS SECTION**  
 6 Shown w/1X sub-buck

NOTE:  
 1. Sidelite panel secured to the sidelite frame with (4) of item #22 located 10", 30.5", 51" and 71.5" from top of each jamb and (2) of item #22 in the head and sill 3" from each end



**3 VERTICAL CROSS SECTION**  
 6 Outswing configuration



**4 VERTICAL CROSS SECTION**  
 6 Inswing configuration

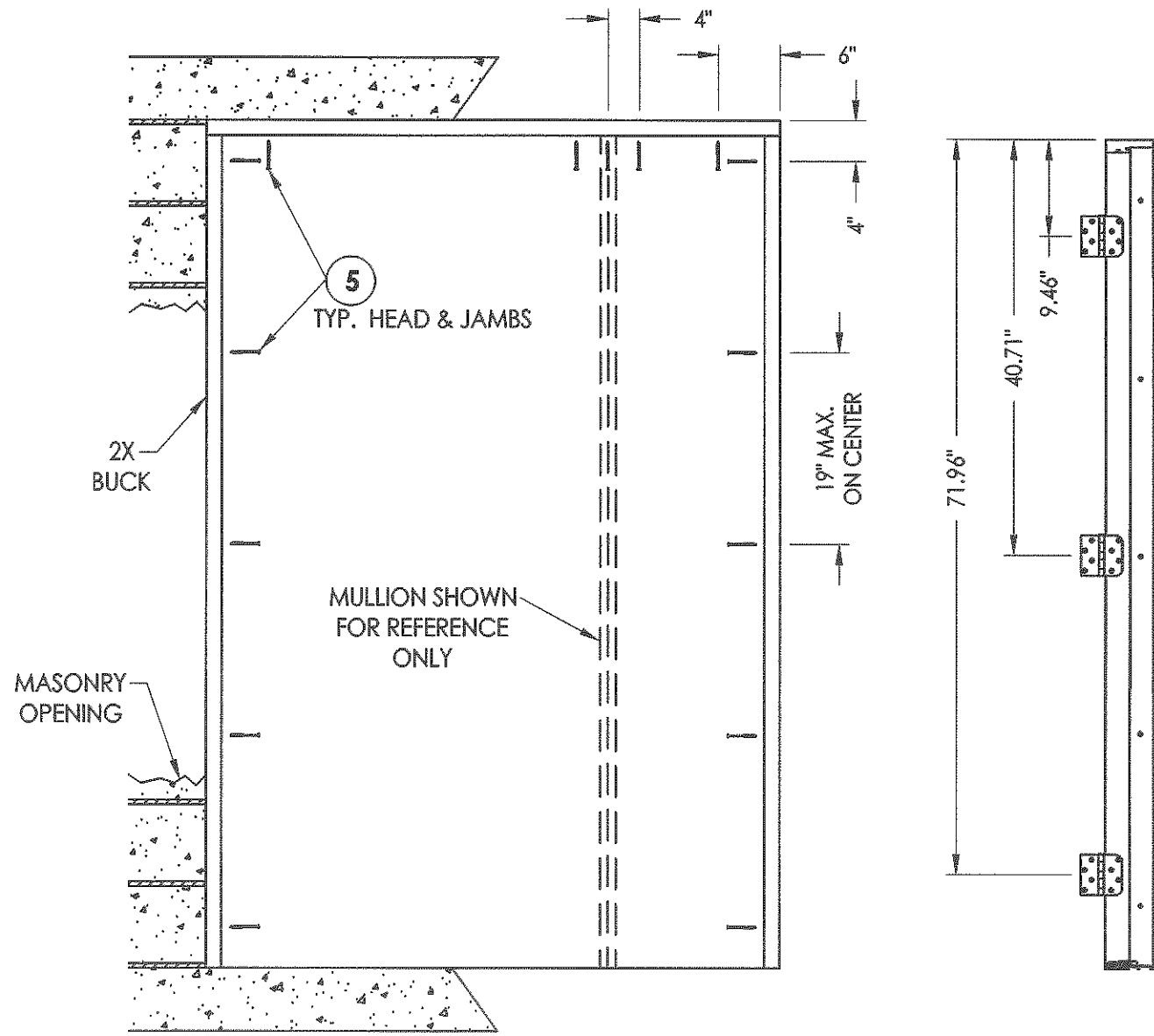
Documents Prepared By: **RW** BUILDING CONSULTANTS, INC.  
 P.O. Box 230 Valrico FL 33595  
 Phone No.: 813.659.9197  
 Florida Board of Professional Engineers  
 Certificate Of Authorization No. 9813  
 Lyndon F. Schmidt, P.E. No. 43409

PRODUCT: PLASTIPRO INC. FIBERGLASS DOOR  
 PART OR ASSEMBLY: VERTICAL CROSS SECTIONS

| NO | DATE | BY | REVISIONS |
|----|------|----|-----------|
|    |      |    |           |
|    |      |    |           |
|    |      |    |           |

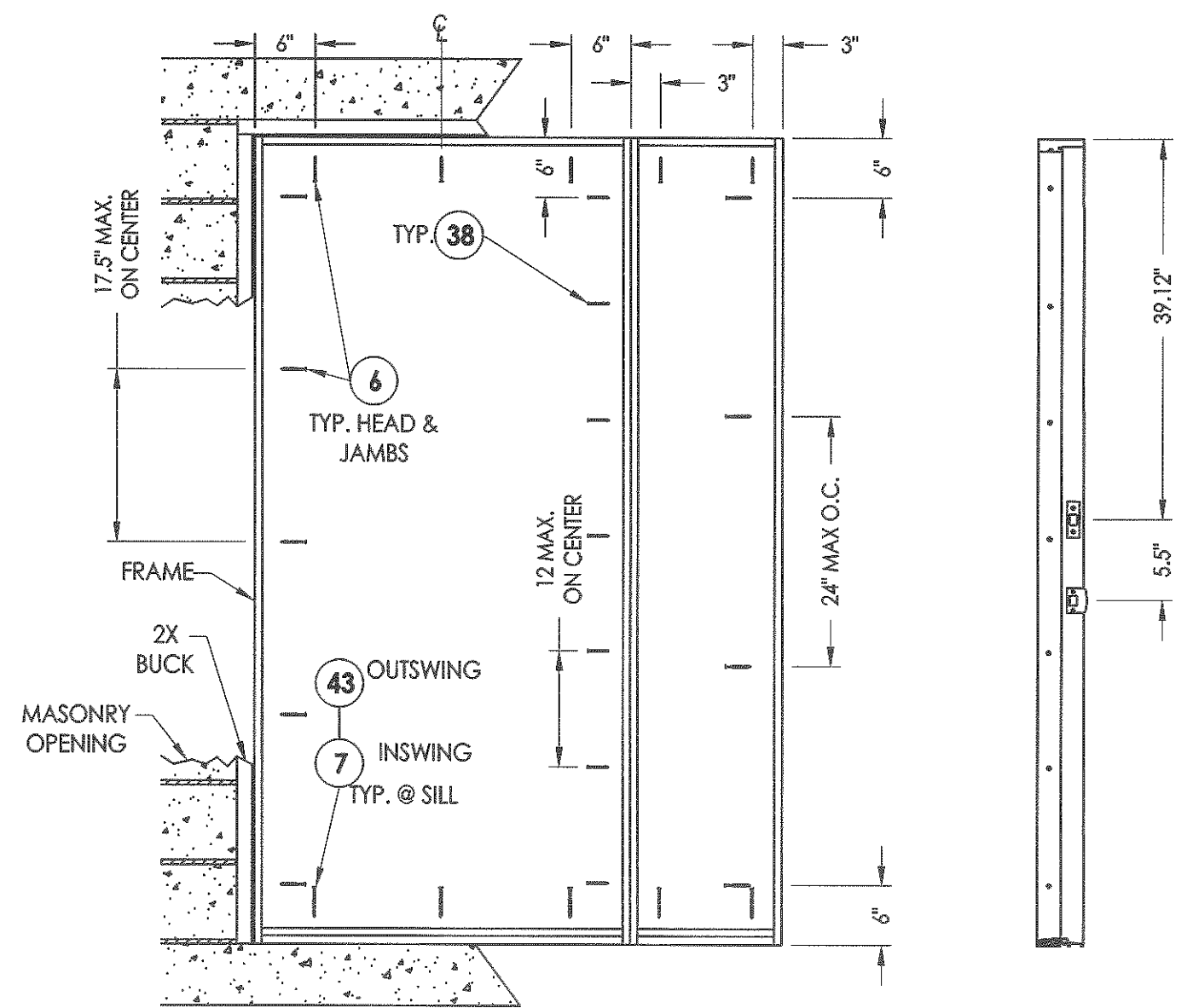
DATE: 02/16/12  
 SCALE: N.T.S.  
 DWG. BY: JK  
 CHK. BY: LFS  
 DRAWING NO.: FL-15213.4  
 SHEET 6 OF 9

© 2012 R.W. BUILDING CONSULTANTS INC.



**BUCK ANCHORING**

**HINGE JAMB**



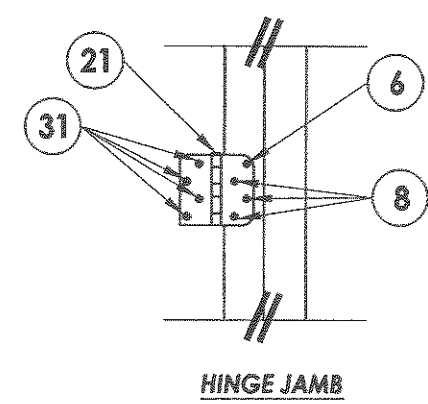
**FRAME ANCHORING**  
Masonry 2X buck construction

**STRIKE JAMB**

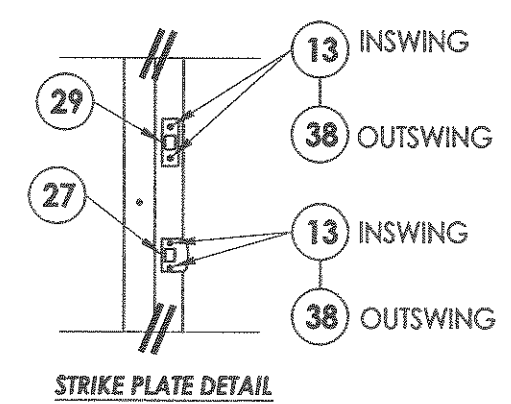
**CONCRETE ANCHOR NOTES:**

1. Substitution of equal concrete anchors from a different supplier may have different edge distance and center distance requirements.
2. Concrete anchor locations at the corners may be adjusted to maintain the min. edge distance to mortar joints. If concrete anchor locations noted as "MAX. ON CENTER" must be adjusted to maintain the min. edge distance to mortar joints, additional concrete anchors may be required to ensure the "MAX. ON CENTER" dimensions are not exceeded.
3. Concrete anchor table:

| ANCHOR TYPE | ANCHOR SIZE | MIN. EMBEDMENT | MIN. CLEARANCE TO MASONRY EDGE | MIN. CLEARANCE TO ADJACENT ANCHOR |
|-------------|-------------|----------------|--------------------------------|-----------------------------------|
| ITW         | 1/4"        | 1-1/4"         | 2-1/2"                         | 3"                                |
| ELCO        | 1/4"        | 1-1/4"         | 1"                             | 4"                                |



**HINGE JAMB**



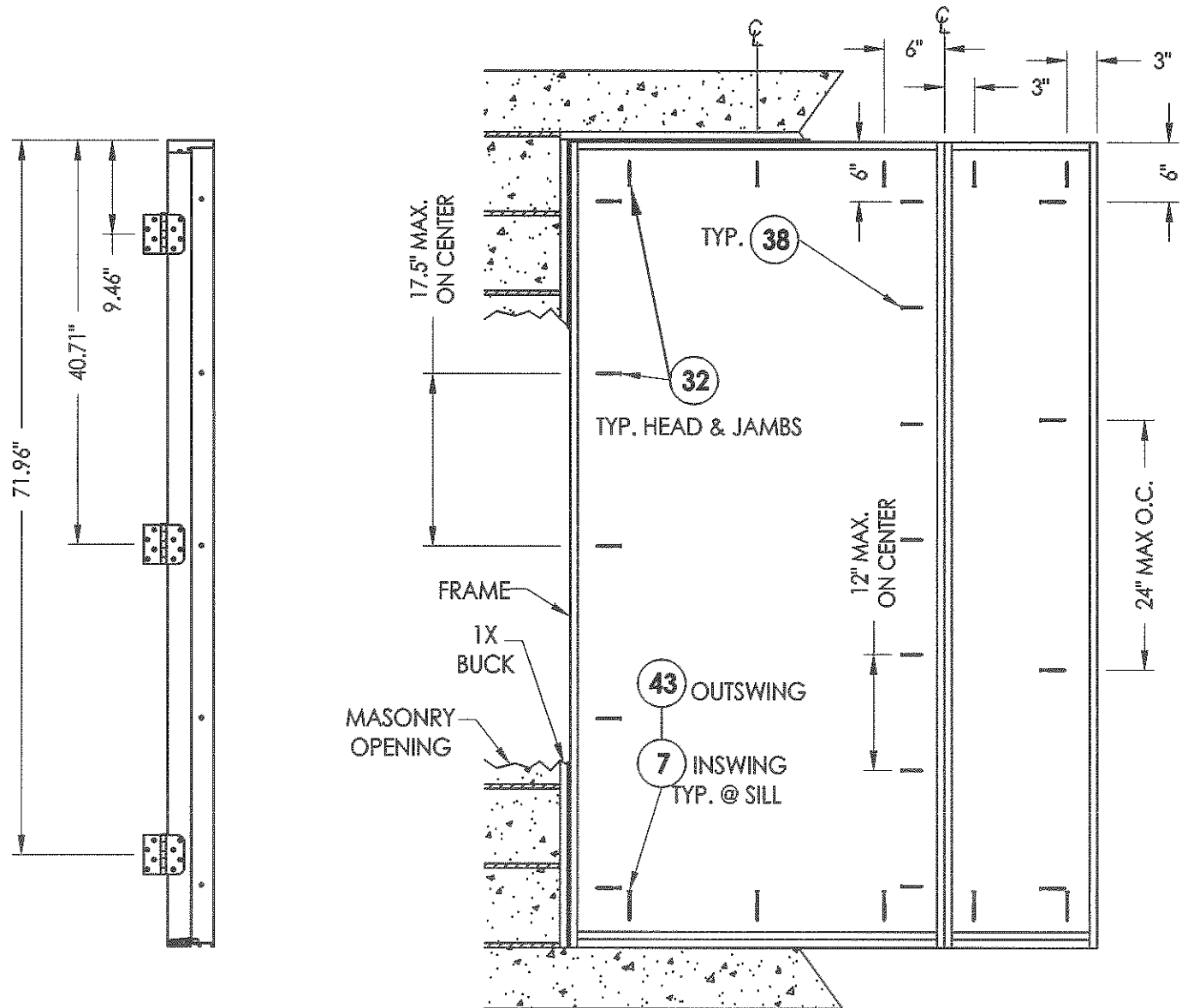
**STRIKE PLATE DETAIL**

Documents Prepared By: **RW BUILDING CONSULTANTS, INC.**  
 P.O. Box 230 Valrico FL 33595  
 Phone No.: 813.659.9197  
 Florida Board of Professional Engineers  
 Certificate of Authorization No. 9813  
 Lyndon F. Schmidt, P.E. No. 43409

DATE: 02/16/12  
 SCALE: N.T.S.  
 DWG. BY: JK  
 CHK. BY: LFS  
 DRAWING NO.: FL-15213.4  
 SHEET 7 OF 9

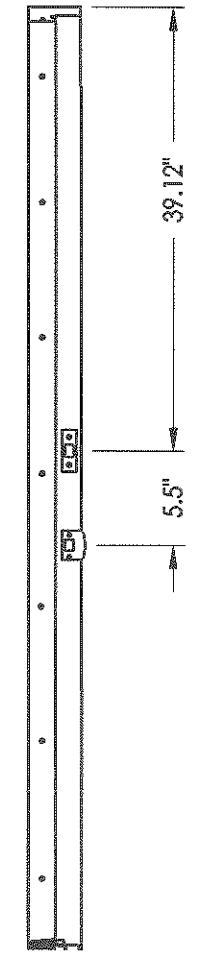
PRODUCT: **PLASTPRO INC. FIBERGLASS DOOR**  
 PART OR ASSEMBLY: **BUCK & FRAME ANCHORING**  
 BY: **2X BUCK MASONRY CONSTRUCTION**

REVISIONS

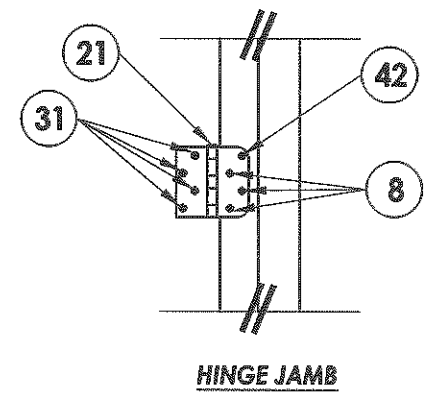


**HINGE JAMB**

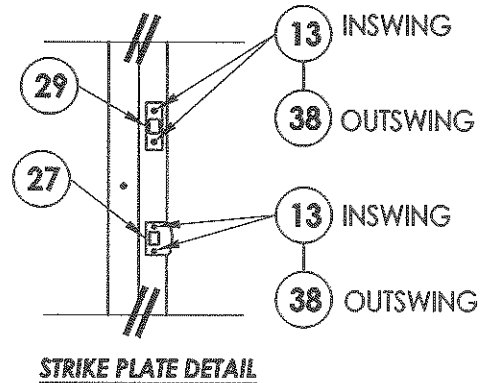
**FRAME ANCHORING**  
Masonry TX buck construction



**STRIKE JAMB**



**HINGE JAMB**



**STRIKE PLATE DETAIL**

**CONCRETE ANCHOR NOTES:**

1. Substitution of equal concrete anchors from a different supplier may have different edge distance and center distance requirements.
2. Concrete anchor locations at the corners may be adjusted to maintain the min. edge distance to mortar joints. If concrete anchor locations noted as "MAX. ON CENTER" must be adjusted to maintain the min. edge distance to mortar joints, additional concrete anchors may be required to ensure the "MAX. ON CENTER" dimensions are not exceeded.
3. Concrete anchor table:

| ANCHOR TYPE | ANCHOR SIZE | MIN. EMBEDMENT | MIN. CLEARANCE TO MASONRY EDGE | MIN. CLEARANCE TO ADJACENT ANCHOR |
|-------------|-------------|----------------|--------------------------------|-----------------------------------|
| ITW         | 1/4"        | 1-1/4"         | 2-1/2"                         | 3"                                |
| ITW         | 3/16"       | 1-1/4"         | 2-5/8"                         | 2-1/4"                            |

Documents Prepared By:

**RW** BUILDING CONSULTANTS, INC.  
P.O. Box 230 Valrico FL 33595  
Phone No.: 813.659.9197  
Florida Board of Professional Engineers  
Certificate Of Authorization No. 98173  
*2.7.12*  
Lyndon F. Schmidt, P.E. No. 43409

PRODUCT: PLASTPRO INC. FIBERGLASS DOOR  
PART OR ASSEMBLY: FRAME ANCHORING 1X BUCK MASONRY CONSTRUCTION

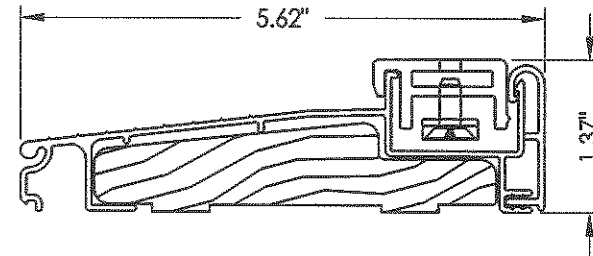
| NO. | DATE | BY | REVISIONS |
|-----|------|----|-----------|
|     |      |    |           |
|     |      |    |           |
|     |      |    |           |
|     |      |    |           |

DATE: 02/16/12  
SCALE: N.T.S.  
DWG. BY: JK  
CHK. BY: LFS  
DRAWING NO.: FL-15213.4  
SHEET 8 OF 9

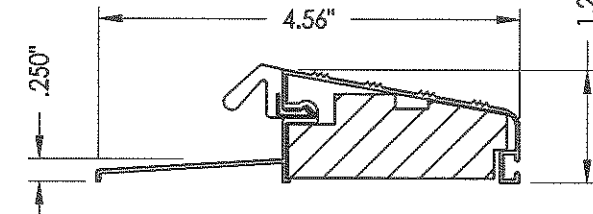


R:\A - Projects\Project Folders\proj 1501 - 1600\PF 1587\D. RWBC Drawings\2010\FL-15213.1-8.dwg, 9.4

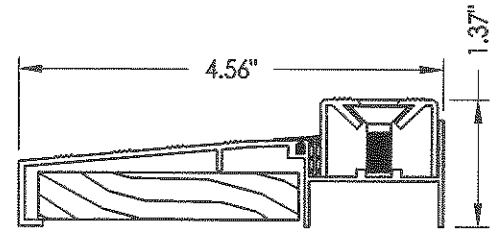
| BILL OF MATERIALS |  |               |
|-------------------|--|---------------|
| ITEM              | DESCRIPTION  | MATERIAL      |
| 1                 | MASONRY - 3,192 PSI MIN. CONCRETE CONFORMING TO ACI 301 OR HOLLOW BLOCK CONFORMING TO ASTM C90 | CONCRETE      |
| 2                 | 1X BUCK SG >= 0.55   | WOOD          |
| 3                 | 2X BUCK SG >= 0.55   | WOOD          |
| 4                 | 1/4" MAX. SHIM SPACE   | -             |
| 5                 | 1/4" X 2-3/4" PFH ELCO OR ITW CONCRETE SCREW   | STEEL         |
| 6                 | #10 x 2-1/2" PFH WOOD SCREW  | STEEL         |
| 7                 | 1/4" x 2-1/4" PFH ITW CONCRETE SCREW   | STEEL         |
| 8                 | #9 x 3/4" PFH WOOD SCREW   | STEEL         |
| 9                 | DOOR SKIN (MIN. 0.075" THICK)  | FIBERGLASS    |
| 10                | INSWING VINYL DOOR BOTTOM SWEEP BY ENDURA  | VINYL         |
| 10A               | VINYL DOOR BOTTOM SWEEP #3628 BY HOLM IND.   | VINYL         |
| 11                | REINFORCEMENT WOOD FOR LOCK  | WOOD          |
| 12                | FINGER JOINTED PINE FRAME, HEAD & HINGE JAMBS  | WOOD          |
| 13                | #9 x 2-1/4" PFH WOOD SCREW   | STEEL         |
| 14                | BOTTOM RAIL  | CELLULAR PVC  |
| 15                | INSWING ADJUSTABLE THRESHOLD BY ENDURA   | ALUM. / WOOD  |
| 15A               | INSWING ADJUSTABLE ALUMINUM THRESHOLD BY DLP   | ALUM. / WOOD  |
| 16                | FORCE 5 WEATHER STRIPPING BY ENDURA  | FOAM          |
| 16A               | COMPRESSION WEATHER STRIP QLON 650 BY SCHLEGEL   | FOAM          |
| 17                | KWIKSET KEYPED ENTRY - SIGNATURE SERIES  | STEEL         |
| 18                | KWIKSET DEADBOLT - SIGNATURE SERIES (780)  | STEEL         |
| 19                | CONTINUOUS SIDELITE STILE REINF.   | WOOD          |
| 20                | POLYURETHANE FOAM BY NANYA   | POLYURETHANE  |
| 21                | 4" x 4" BUTT HINGE   | STEEL         |
| 22                | #8 x 2" PFH WOOD SCREW   | STEEL         |
| 24                | HINGE & LATCH STILE  | CELLULAR PVC  |
| 25                | TOP RAIL   | CELLULAR PVC  |
| 26                | SIDELITE STILE   | CELLULAR PVC  |
| 27                | STRIKE PLATE   | STEEL         |
| 28                | OUTSWING BUMP THRESHOLD  | ALUM. / WOOD  |
| 29                | DEADBOLT STRIKE PLATE  | STEEL         |
| 30                | LIP LITE ODL/WESTERN REFLECTIONS HP  | POLYPROPYLENE |
| 31                | #9 x 1" PFH WOOD SCREW   | STEEL         |
| 32                | 1/4" X 3-3/4" PFH ITW CONCRETE SCREW   | STEEL         |
| 33                | SIDELITE TOP & BOTTOM RAIL   | CELLULAR PVC  |
| 34                | SHOE MOULD 5/8" x 3/8"   | WOOD          |
| 35                | GLAZING COMPOUND   | SILICONE      |
| 36                | #8 x 1-1/2" PFH LITE FRAME SCREW   | STEEL         |
| 37                | SEALANT  | SILICONE      |
| 38                | #9 x 2" PFH WOOD SCREW   | STEEL         |
| 39                | SIDELITE SPACER  | PVC           |
| 40                | HINGE & LATCH STILE REINFORCEMENT  | LVL           |
| 41                | GLAZING SPACER   | ALUM.         |
| 42                | 1/4" x 3-1/4" PFH ITW CONCRETE SCREW   | STEEL         |
| 43                | 1/4" x 2-3/4" PFH ITW CONCRETE SCREW   | STEEL         |
| 50                | DOOR PANEL - SEE DOOR PANEL DETAIL SHEET FOR CONSTRUCTION DETAILS                              | -             |
| 60                | SIDELITE PANEL - SEE DOOR PANEL DETAIL SHEET 3   | -             |



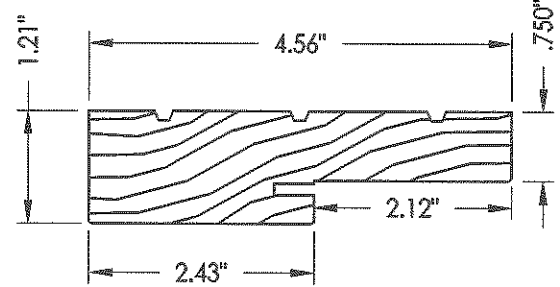
15 ADJUSTABLE INSWING SILL



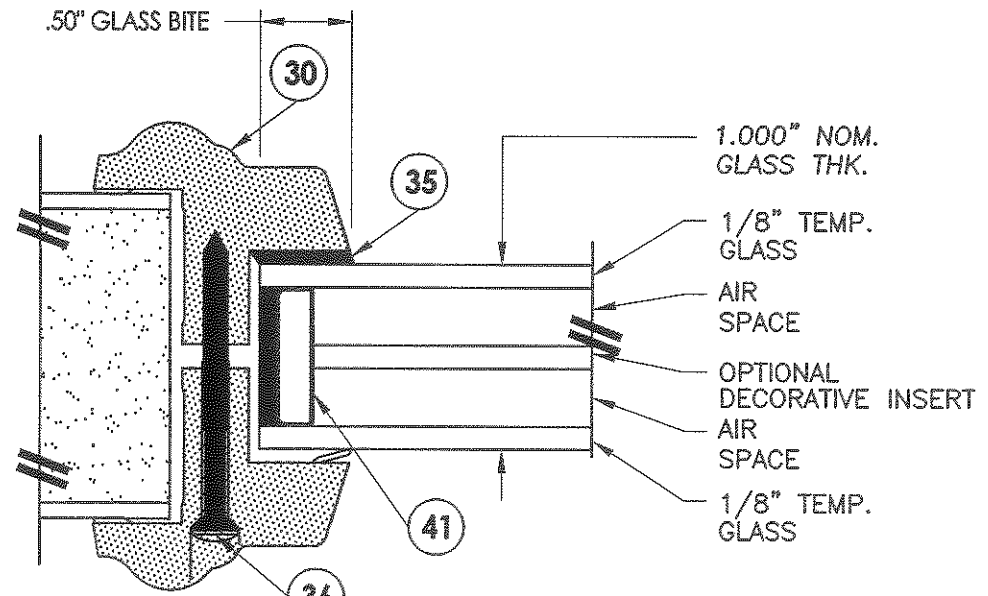
28 OUTSWING BUMP THRESHOLD



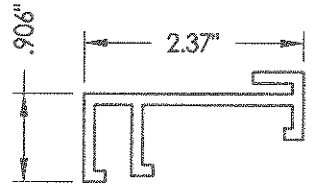
15A ADJUSTABLE INSWING SILL



12 JAMB



G1 GLAZING DETAIL



39 SIDELITE SPACER

Documents Prepared By:  
**RW** BUILDING CONSULTANTS, INC.  
 P.O. Box 230 Valrico FL, 33595  
 Phone No.: 813.659.9197  
 Florida Board of Professional Engineers  
 Certificate Of Authorization No. 9813  
 Lyndon F. Schmidt, P.E. No. 43409

PRODUCT:  
**PLASTPRO INC.**  
 FIBERGLASS DOOR  
 PART OR ASSEMBLY:  
 BILL OF MATERIALS, GLAZING  
 DETAIL & COMPONENTS

| NO. | DATE | BY | REVISIONS |
|-----|------|----|-----------|
|     |      |    |           |
|     |      |    |           |
|     |      |    |           |
|     |      |    |           |

DATE: 02/16/12  
 SCALE: N.T.S.  
 DWG. BY: JK  
 CHK. BY: LFS  
 DRAWING NO.: FL-15213.4  
 SHEET 9 OF 9

© 2012 R.W. BUILDING CONSULTANTS INC.