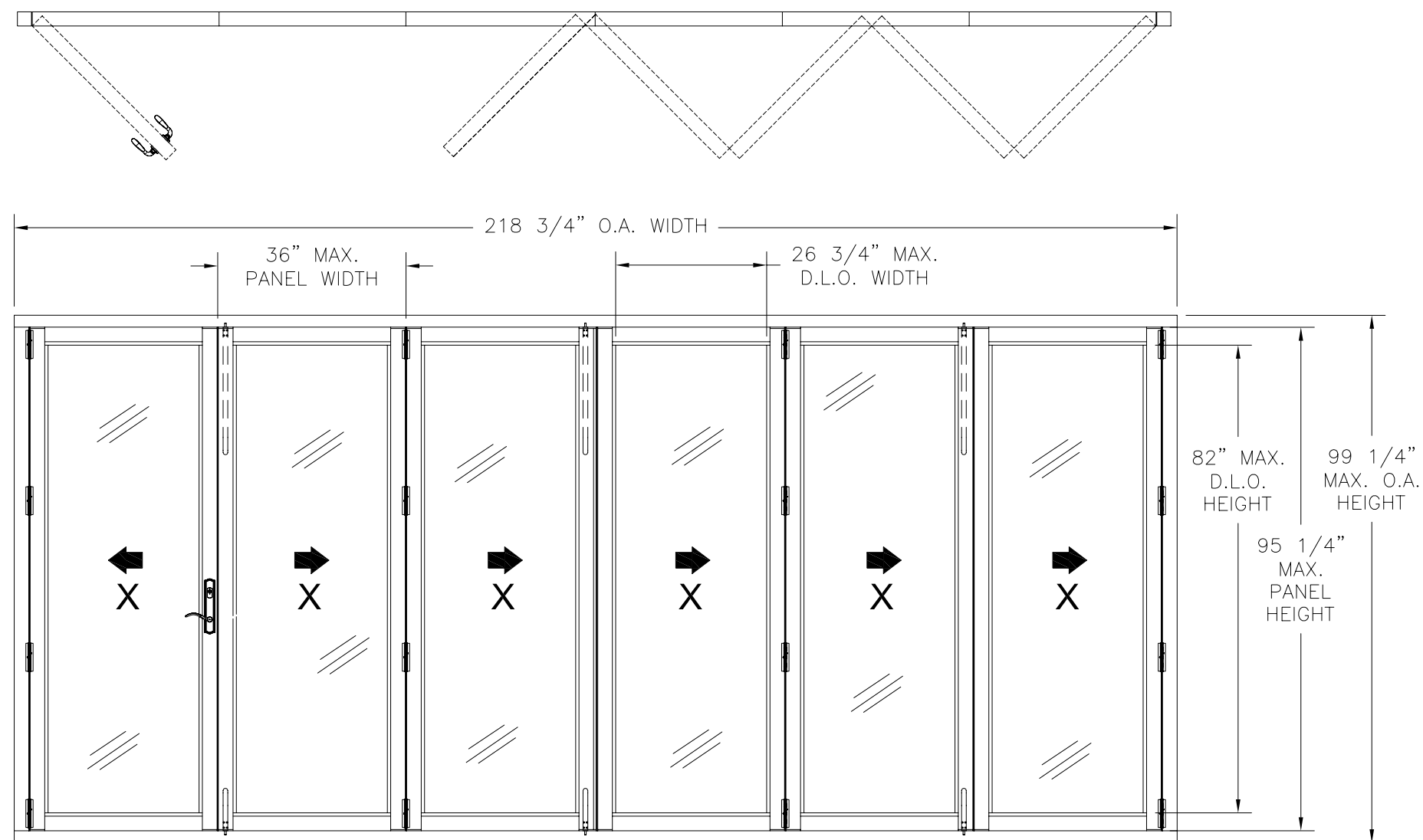


REVISIONS			
REV	DESCRIPTION	DATE	APPROVED
A	REMOVED COMPARATIVE ANALYSIS CHART	05/10/10	R.L.



NOTES:

- 1) THE PRODUCT SHOWN HEREIN IS DESIGNED AND MANUFACTURED TO COMPLY WITH REQUIREMENTS OF THE FLORIDA BUILDING CODE.
- 2) WOOD FRAMING AND MASONRY OPENING TO BE DESIGNED AND ANCHORED TO PROPERLY TRANSFER ALL LOADS TO STRUCTURE. FRAMING AND MASONRY OPENING IS THE RESPONSIBILITY OF THE ARCHITECT OR ENGINEER OF RECORD.
- 3) FRAME MATERIAL: EXTRUDED ALUMINUM 6063-T5 .100" THICK.
- 4) PANEL MATERIAL: LAMINATED FINGER JOINTED PINE WITH .050" VENEER ON INTERIOR AND EXTRUDED ALUMINUM 6063-T5 .060" THICK CLADDING ON EXTERIOR.
- 5) APPROVED IMPACT PROTECTIVE SYSTEM IS REQUIRED FOR THIS PRODUCT IN WIND BORNE DEBRIS REGIONS.
- 6) UNITS MUST BE GLAZED WITH SAFETY GLAZING PER ASTM E1300.
- 7) ALLOWABLE STRESS INCREASE OF 1/3 WAS NOT USED IN THE DESIGN OF THE PRODUCT SHOWN HEREIN. WIND LOAD DURATION FACTOR Cd=1.6 WAS USED FOR WOOD ANCHOR CALCULATIONS.

WEATHERTIGHT ALUMINUM CLAD WOOD OUTFOLD BI-FOLD DOORS
EXTERIOR VIEW

(6) PANELS SHOWN. UNLIMITED NUMBER OF PANELS IN UNLIMITED CONFIGURATIONS IS APPLICABLE AS LONG AS INDIVIDUAL PANEL SIZE DOES NOT EXCEED MAXIMUM PANEL SIZE AS SHOWN HEREIN.

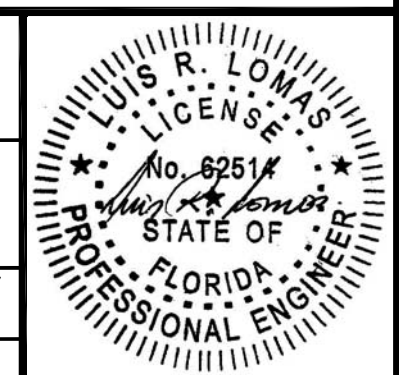
DESIGN PRESSURE RATING	IMPACT RATING
±35PSF	NONE
THIS SYSTEM WAS NOT TESTED FOR WATER INFILTRATION AND IS TO BE INSTALLED ONLY WHERE THE WATER REQUIREMENT IS NOT NEEDED	

TABLE OF CONTENTS	
SHEET NO.	DESCRIPTION
1	ELEVATION, NOTES AND DESIGN PRESSURE CHART
2	ANCHORING LAYOUT, NOTES AND HARDWARE
3 - 5	INSTALLATION DETAILS
6	COMPONENTS

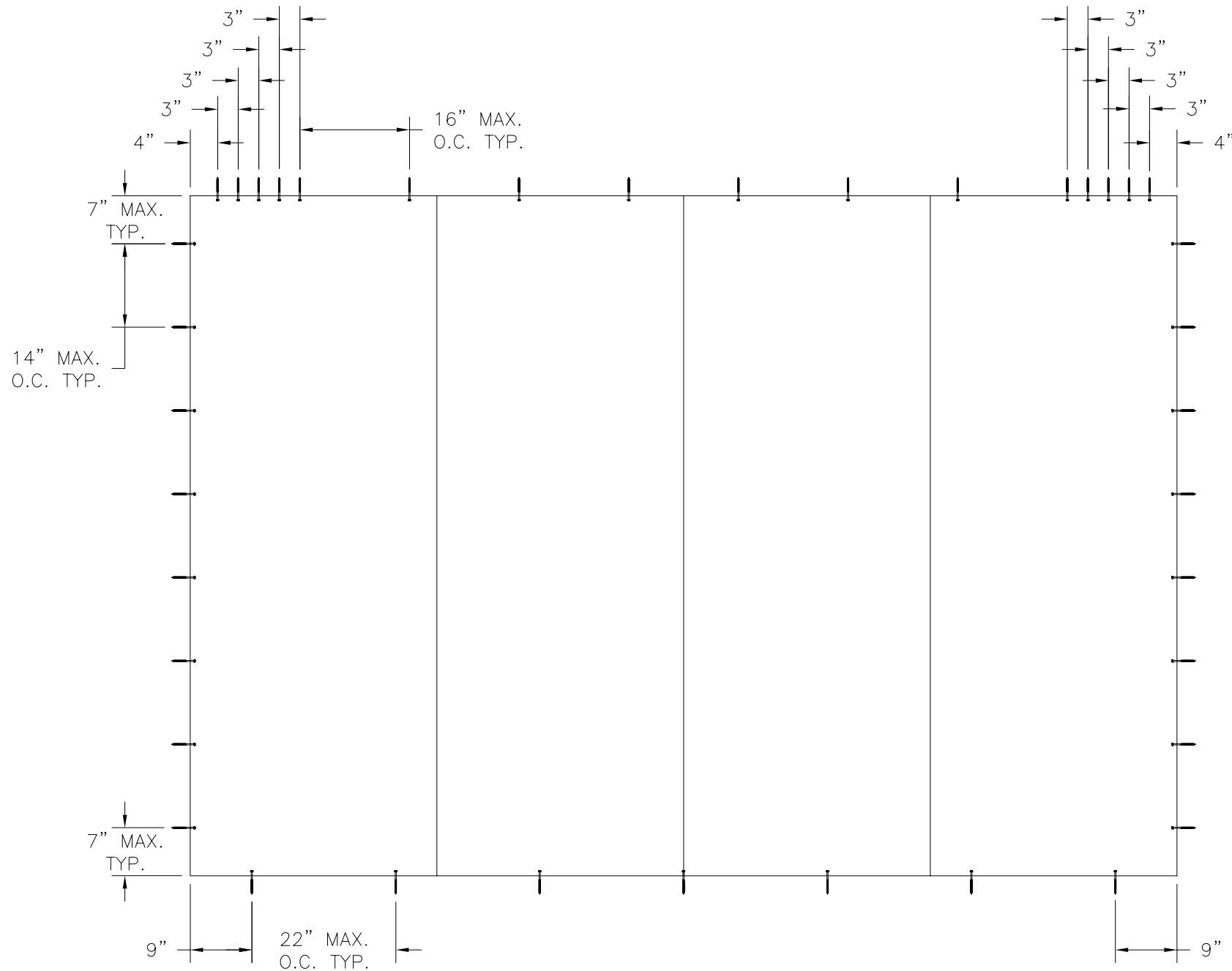
DOOR INNOVATIONS
9943 KEMP FOREST DRIVE
HOUSTON, TX 77080

WEATHERTIGHT ALUMINUM CLAD WOOD OUTFOLD
DOOR - NON-IMPACT
ELEVATION, NOTES AND DESIGN PRESSURE CHART

DRAWN: TJH	DWG. NO. 08-00971	REV A
SCALE NTS	DATE 03/29/10	SHEET 1 OF 6



REVISIONS			
REV	DESCRIPTION	DATE	APPROVED
A	REMOVED COMPARATIVE ANALYSIS CHART	05/10/10	R.L.



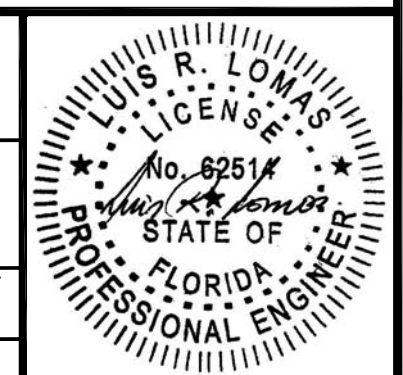
ANCHORING NOTES:

- 1) ALL FASTENERS TO BE CORROSION RESISTANT.
- 2) SHIM AS REQUIRED AT EACH INSTALLATION ANCHOR WITH LOAD BEARING SHIM. SHIM WHERE SPACE OF 1/16" OR GREATER OCCURS. MAXIMUM ALLOWABLE SHIM STACK TO BE 1/4".
- 3) FOR ANCHORING INTO CONCRETE:
 AT HEAD USE 5/16" ITW TAPCONS WITH SUFFICIENT LENGTH TO ACHIEVE A 1 3/4" MINIMUM EMBEDMENT.
 AT SILL USE 1/4" ITW TAPCONS WITH SUFFICIENT LENGTH TO ACHIEVE A 1 3/4" MINIMUM EMBEDMENT.
 AT JAMBS USE 3/16" ITW TAPCONS WITH SUFFICIENT LENGTH TO ACHIEVE A 1 1/4" MINIMUM EMBEDMENT.
 LOCATE ANCHORS 2 5/8" MINIMUM EDGE DISTANCE AS SHOWN IN ELEVATIONS AND INSTALLATION DETAILS.
- 4) FOR ANCHORING INTO WOOD FRAMING, DOUBLE 2X BUCK OR 2X BACKED STEEL FRAMING:
 AT HEAD USE 5/16" LAG SCREW WITH SUFFICIENT LENGTH TO ACHIEVE A 2 1/2" MINIMUM EMBEDMENT.
 AT SILL USE #14 WOOD SCREW WITH SUFFICIENT LENGTH TO ACHIEVE A 1 3/4" MINIMUM EMBEDMENT.
 AT JAMBS USE #10 WOOD SCREW WITH SUFFICIENT LENGTH TO ACHIEVE A 1 3/8" MINIMUM EMBEDMENT.
 LOCATE ANCHORS AS SHOWN IN ELEVATIONS AND INSTALLATION DETAILS.
- 5) INSTALLATION ANCHORS SHALL BE INSTALLED IN ACCORDANCE WITH ANCHOR MANUFACTURER'S INSTALLATION INSTRUCTIONS, AND ANCHORS SHALL NOT BE USED IN SUBSTRATES WITH STRENGTHS LESS THAN THE MINIMUM STRENGTH SPECIFIED BELOW:
 A. WOOD – MINIMUM SPECIFIC GRAVITY OF G=0.42
 B. CONCRETE – MINIMUM COMPRESSIVE STRENGTH OF 3,192 PSI.
 C. MASONRY – STRENGTH CONFORMANCE TO ASTM C-90, GRADE N, TYPE 1 (OR GREATER).
 D. STEEL FRAMING – 2X BACKED 16GA. (.063" MIN.) STEEL STUD.

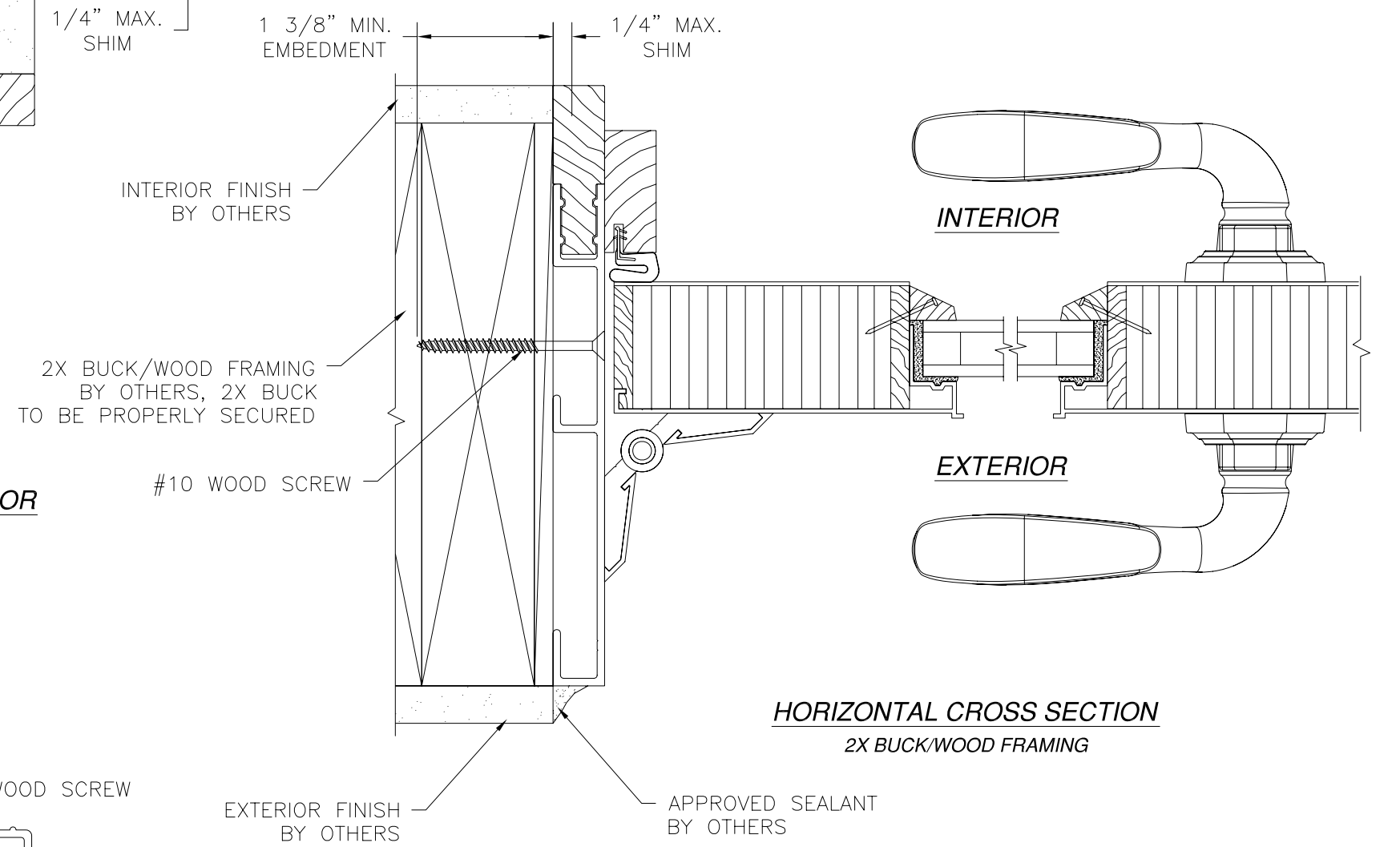
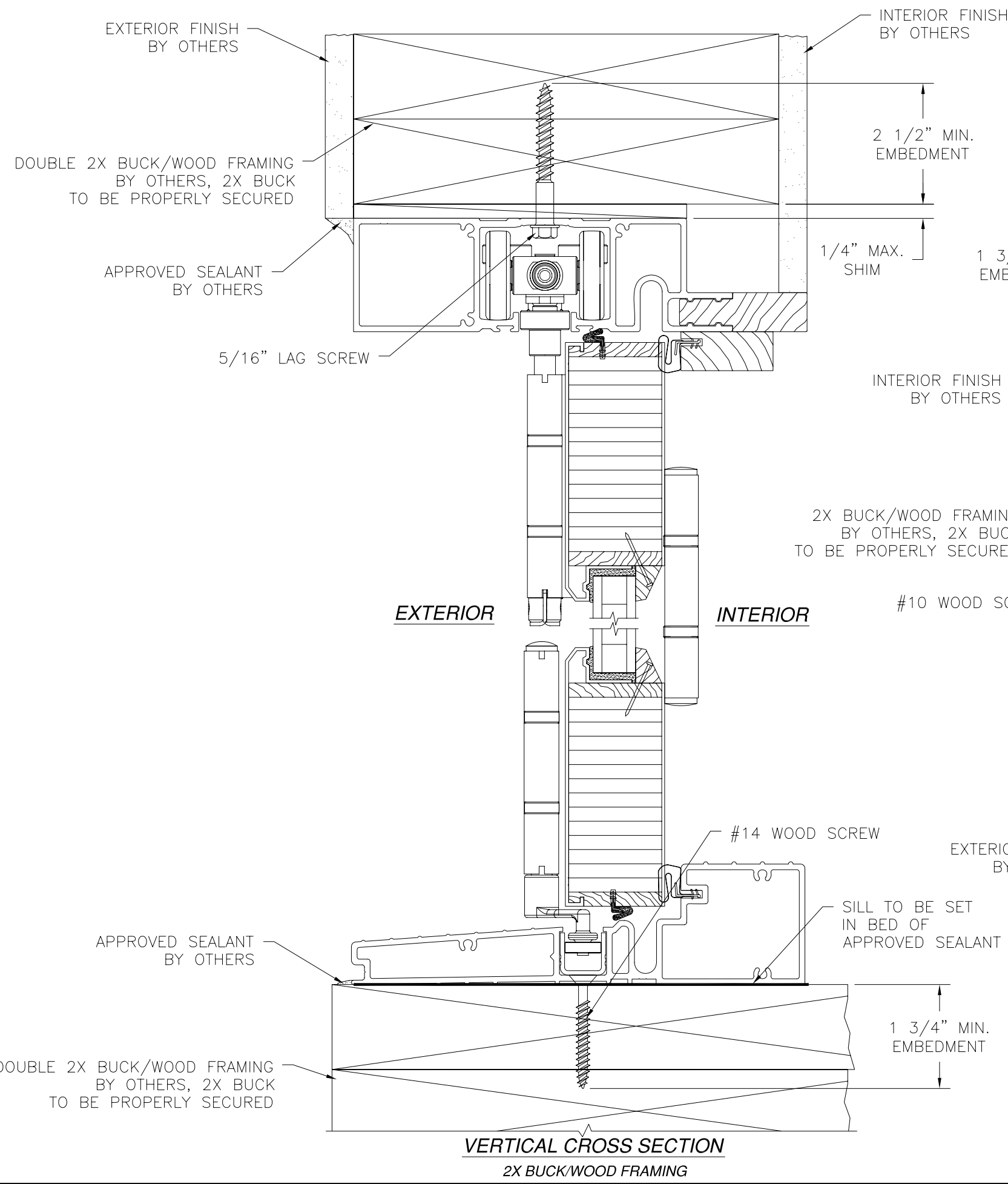
WEATHERTIGHT ALUMINUM CLAD WOOD OUTFOLD DOOR
 4PANEL UNIT SHOWN, ANCHORING LAYOUT APPLIES TO ALL APPROVED CONFIGURATIONS

<i>HARDWARE SCHEDULE</i>
A. (4) BARREL HINGES BY CENTOR ARCHITECTURAL
B. HEAD CARRIER BY CENTOR ARCHITECTURAL
C. THRESHOLD CARRIER BY CENTOR ARCHITECTURAL
D. 24" UPPER FLUSH BOLT BY CENTOR ARCHITECTURAL
E. 8" LOWER FLUSH BOLT BY CENTOR ARCHITECTURAL
F. EAGLE SERIES MULTI-POINT LOCKING HARDWARE BY G-U

DOOR INNOVATIONS 9943 KEMP FOREST DRIVE HOUSTON, TX 77080		
WEATHERTIGHT ALUMINUM CLAD WOOD OUTFOLD DOOR – NON-IMPACT ANCHORING LAYOUT, NOTES AND HARDWARE		
DRAWN: TJH	DWG NO. 08-00971	REV A
SCALE NTS	DATE 03/29/10	SHEET 2 OF 6



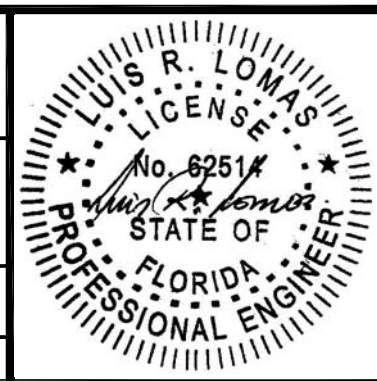
REVISIONS			
REV	DESCRIPTION	DATE	APPROVED
A	REMOVED COMPARATIVE ANALYSIS CHART	05/10/10	R.L.



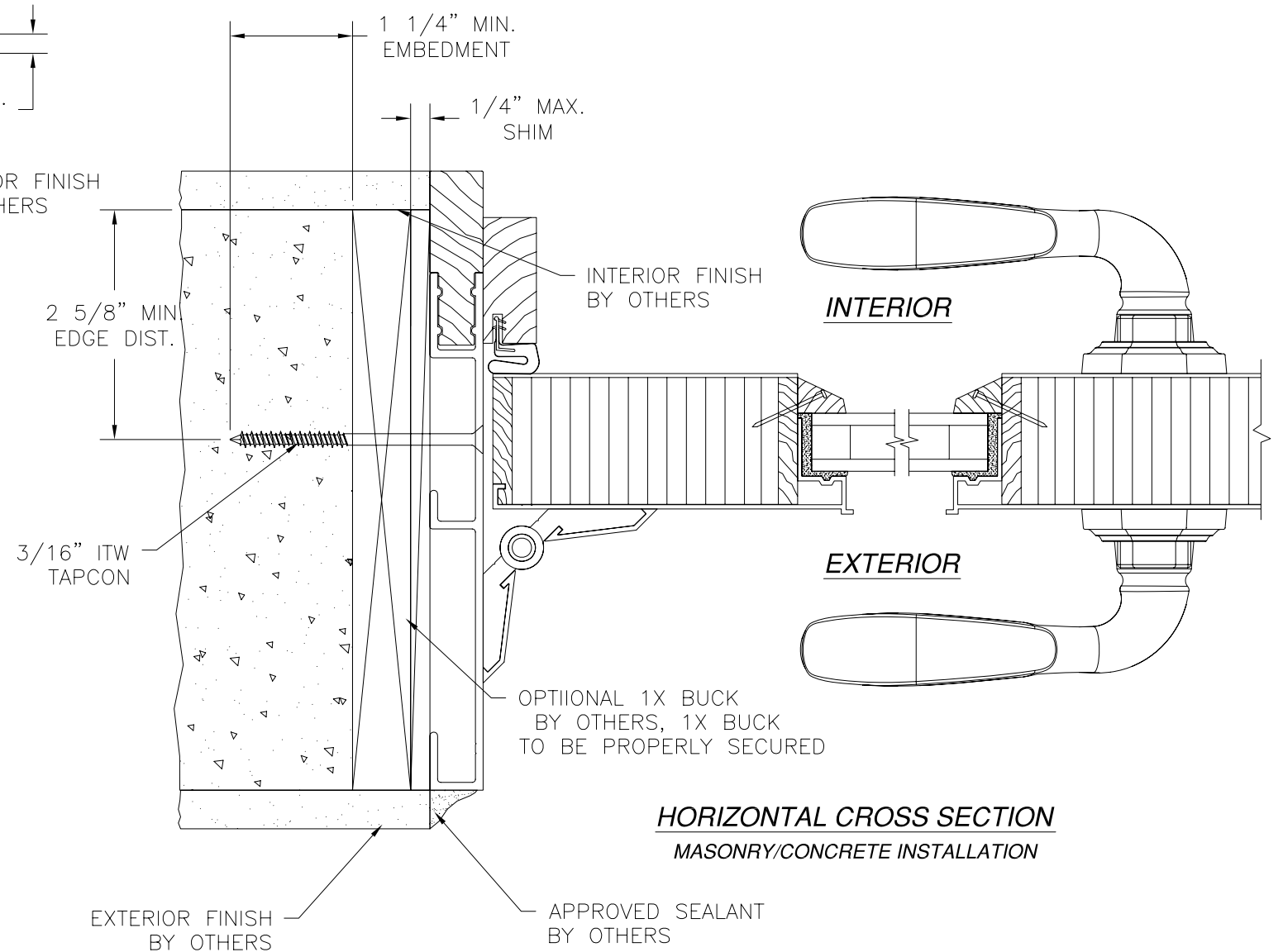
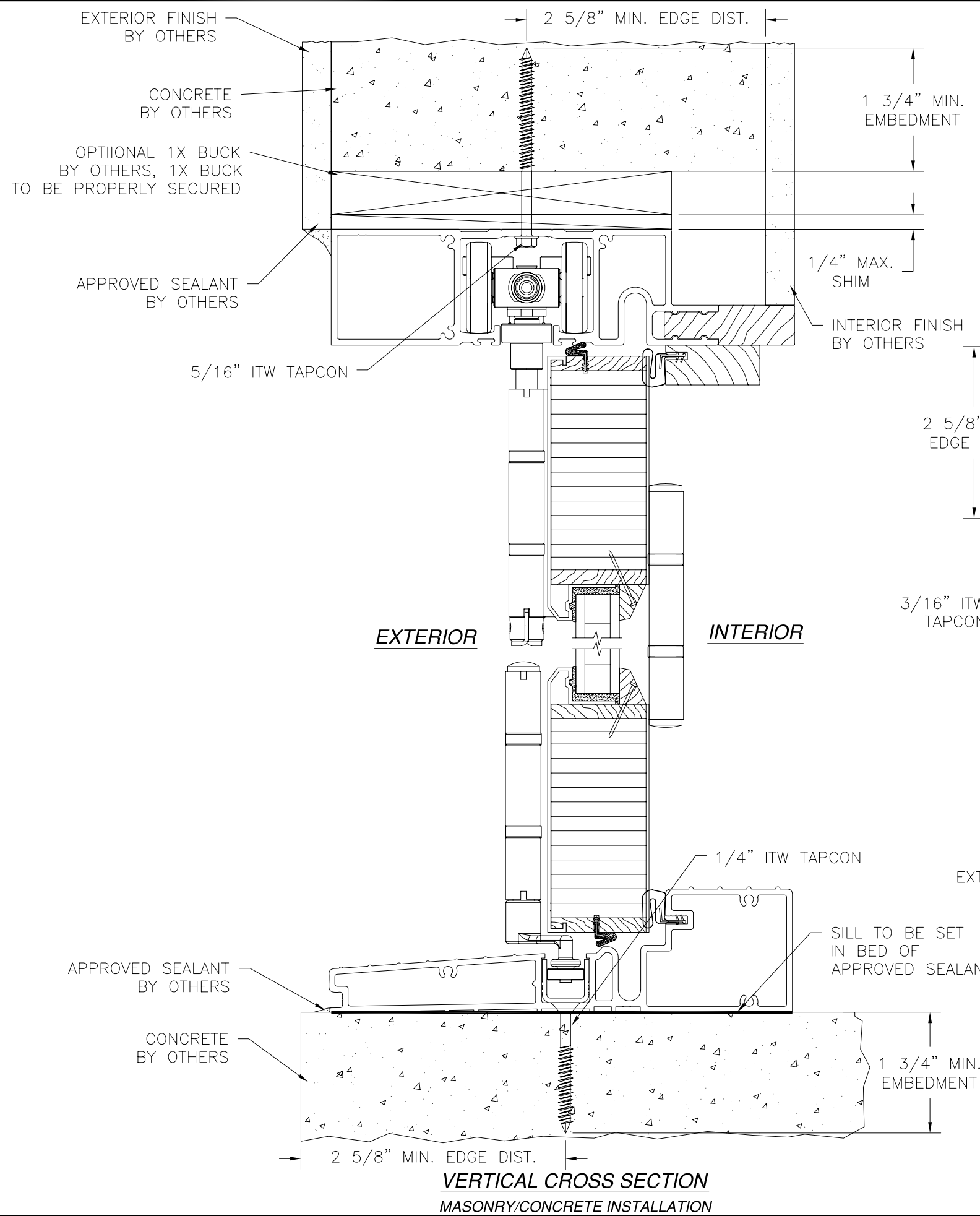
DOOR INNOVATIONS
9943 KEMP FOREST DRIVE
HOUSTON, TX 77080

WEATHERTIGHT ALUMINUM CLAD WOOD OUTFOLD
DOOR - NON-IMPACT
INSTALLATION DETAILS

DRAWN: TJH	DWG NO. 08-00971	REV A
SCALE NTS	DATE 03/29/10	SHEET 3 OF 6



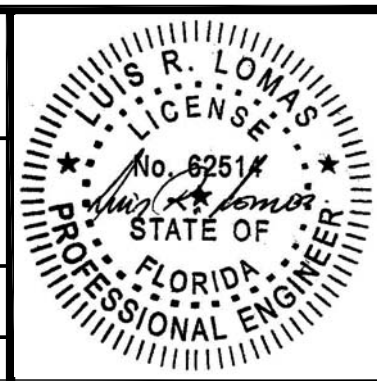
REVISIONS			
REV	DESCRIPTION	DATE	APPROVED
A	REMOVED COMPARATIVE ANALYSIS CHART	05/10/10	R.L.



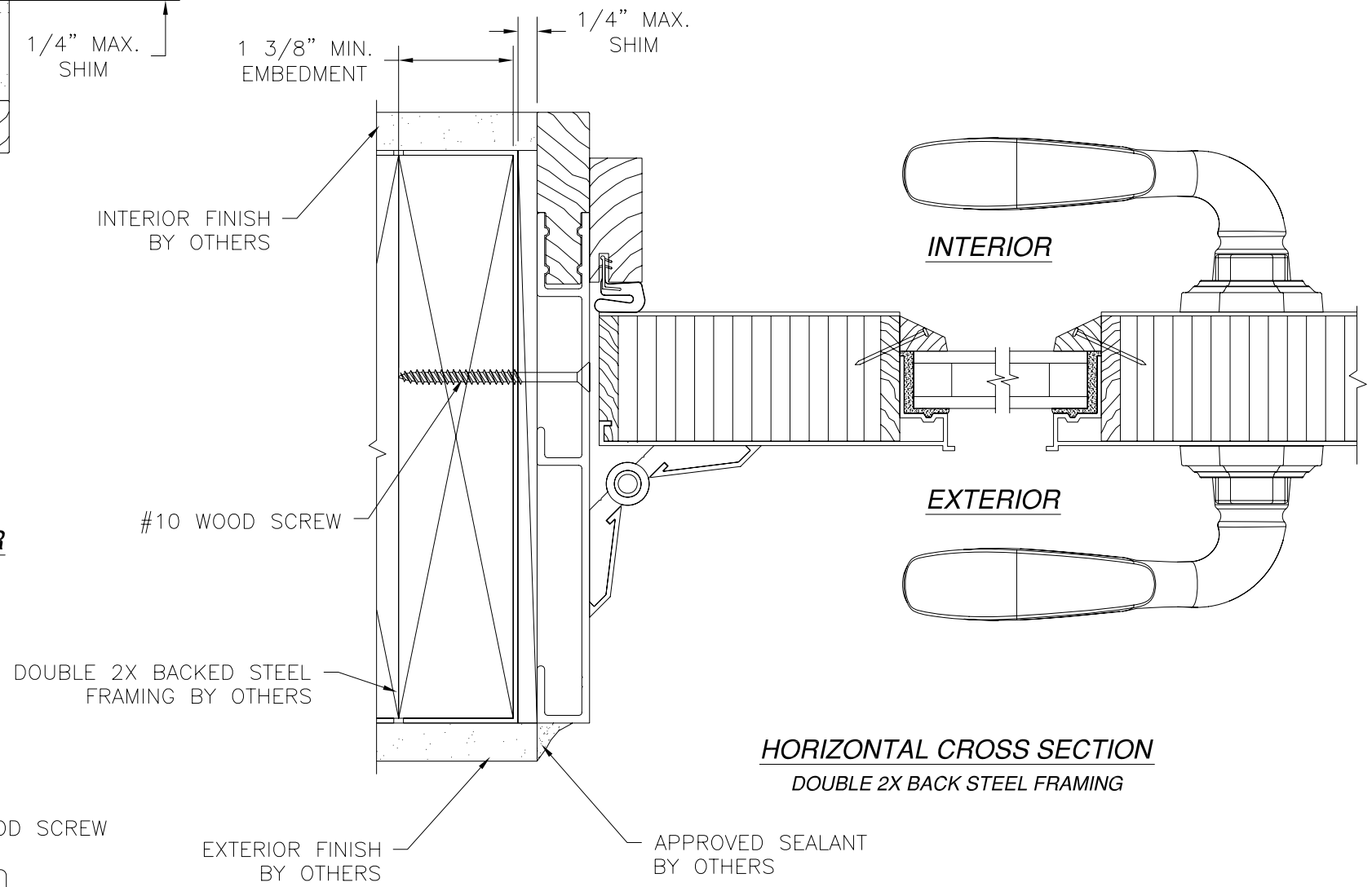
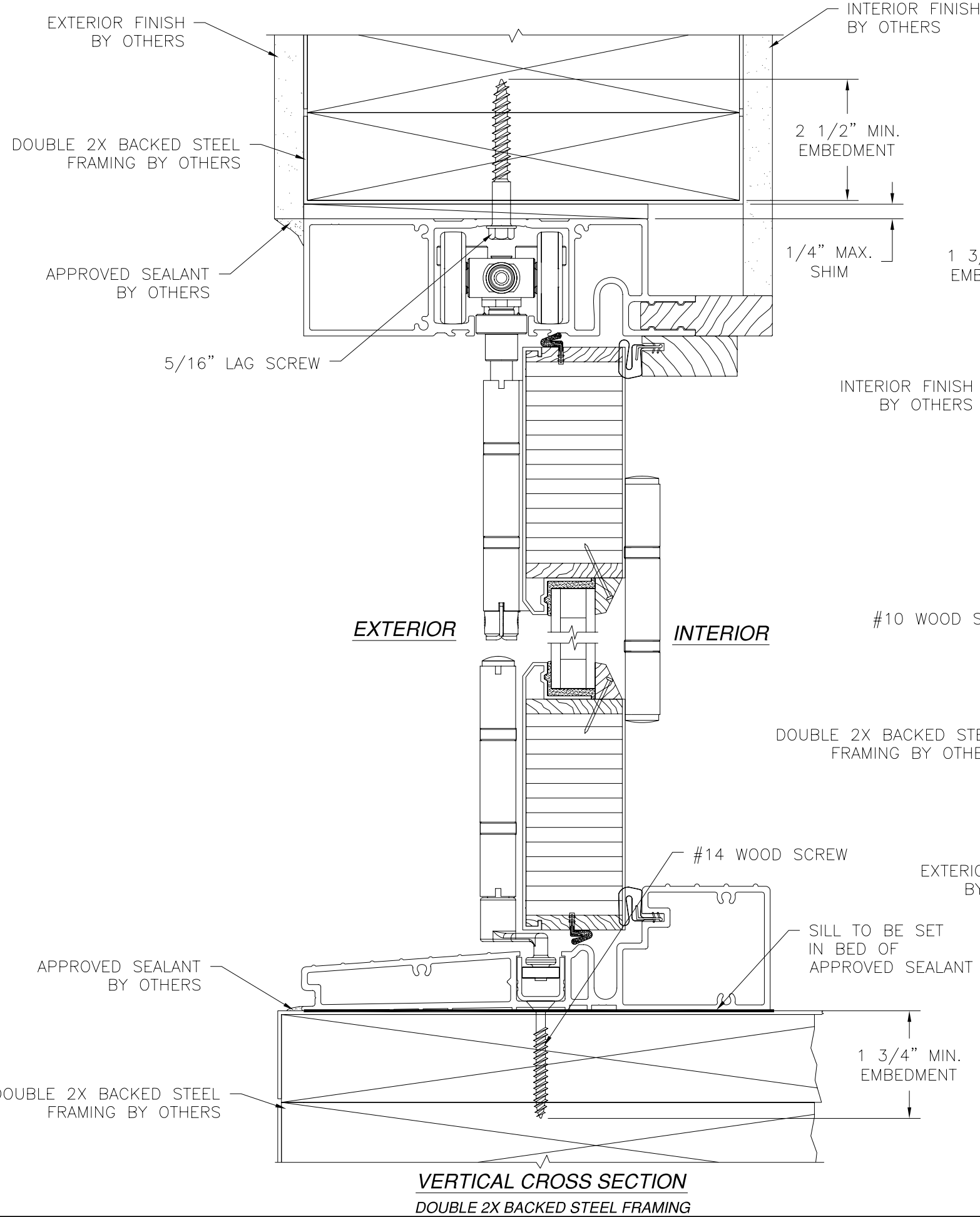
DOOR INNOVATIONS
9943 KEMP FOREST DRIVE
HOUSTON, TX 77080

WEATHERTIGHT ALUMINUM CLAD WOOD OUTFOLD
DOOR - NON-IMPACT
INSTALLATION DETAILS

DRAWN: TJH	DWG. NO. 08-00971	REV A
SCALE NTS	DATE 03/29/10	SHEET 4 OF 6



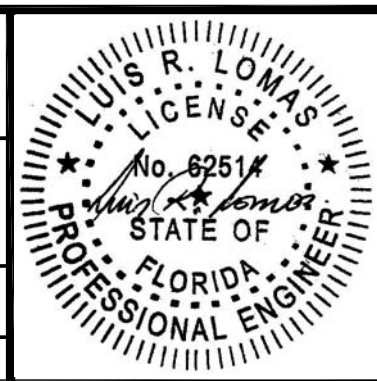
REVISIONS			
REV	DESCRIPTION	DATE	APPROVED
A	REMOVED COMPARATIVE ANALYSIS CHART	05/10/10	R.L.

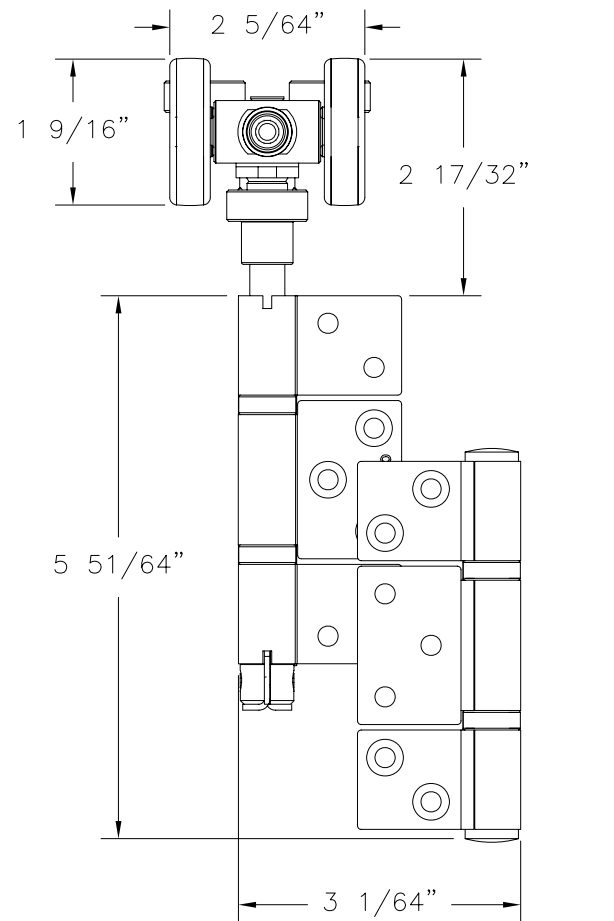


DOOR INNOVATIONS
9943 KEMP FOREST DRIVE
HOUSTON, TX 77080

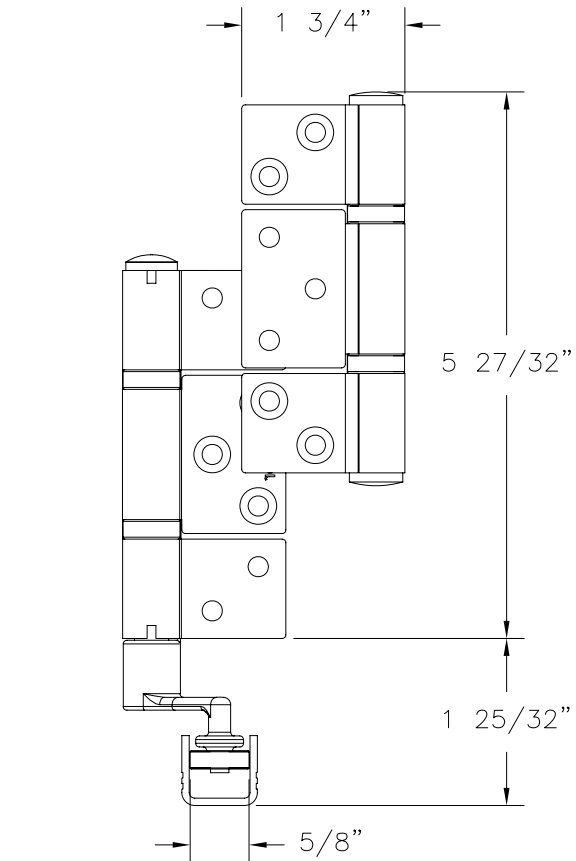
WEATHERTIGHT ALUMINUM CLAD WOOD OUTFOLD
DOOR - NON-IMPACT
INSTALLATION DETAILS

DRAWN: TJH	DWG. NO. 08-00971	REV A
SCALE NTS	DATE 03/29/10	SHEET 5 OF 6

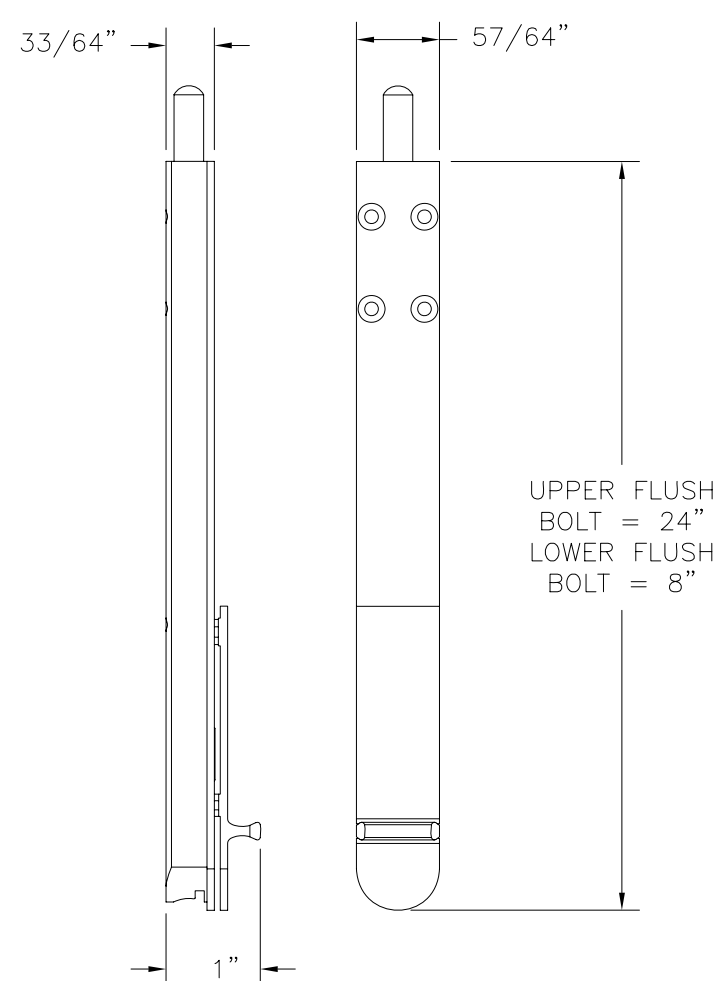




TOP HINGE W/ HEAD CARRIER ASSEMBLY

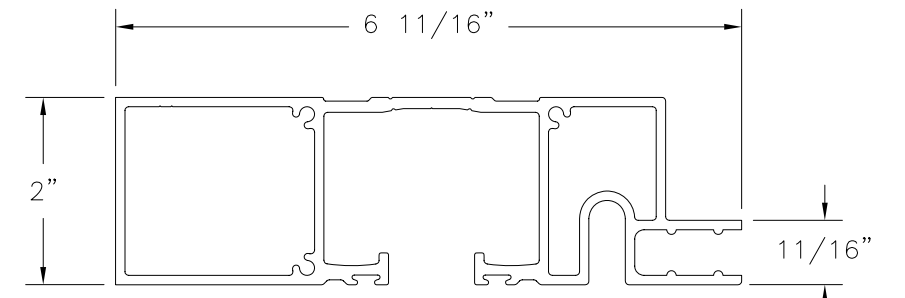


BOTTOM HINGE W/ THRESHOLD CARRIER ASSEMBLY

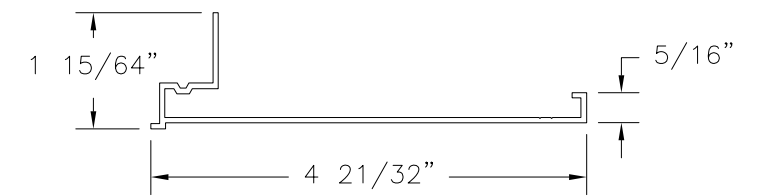


UPPER AND LOWER FLUSH BOLT

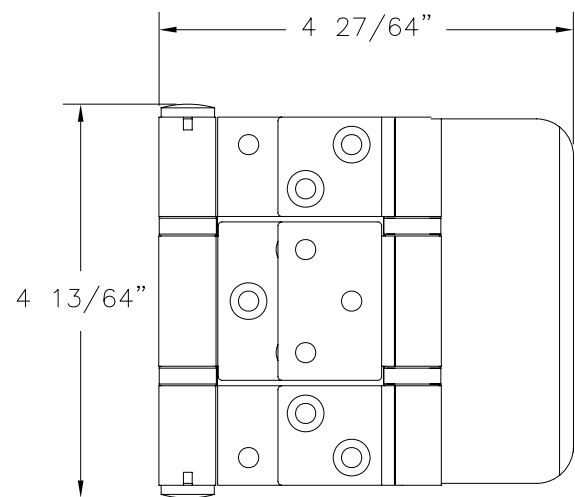
REVISIONS			
REV	DESCRIPTION	DATE	APPROVED
A	REMOVED COMPARATIVE ANALYSIS CHART	05/10/10	R.L.



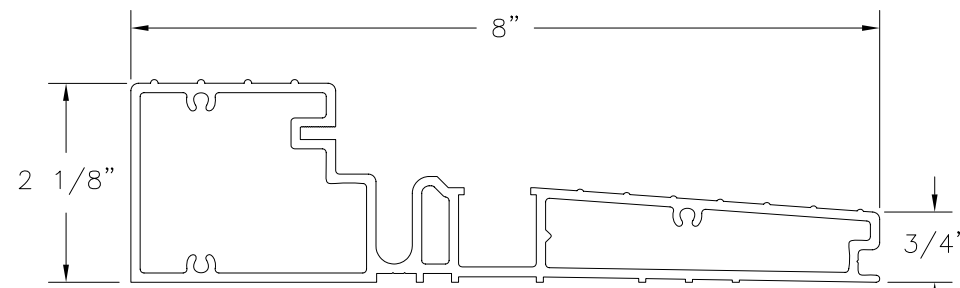
HEAD
ALUMINUM 6063-T5 .100" THICK



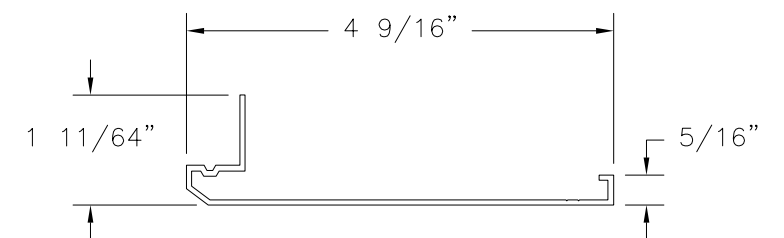
VERTICAL RAIL
ALUMINUM 6063-T5 .055" THICK



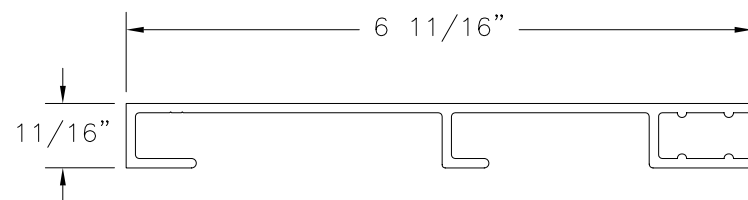
CENTER HINGE ASSEMBLY



SILL
ALUMINUM 6063-T5 .100" THICK



HORIZONTAL RAIL
ALUMINUM 6063-T5 .055" THICK



DI JAMB
ALUMINUM 6063-T5 .100" THICK

DOOR INNOVATIONS
9943 KEMP FOREST DRIVE
HOUSTON, TX 77080

WEATHERTIGHT ALUMINUM CLAD WOOD OUTFOLD
DOOR - NON-IMPACT
COMPONENTS

DRAWN: TJH	DWG. NO. 08-00971	REV A
SCALE NTS	DATE 03/29/10	SHEET 6 OF 6

