

**EVALUATION REPORT OF
METAL SALES MANUFACTURING CORPORATION
'NOM 0.032" THICK ALUMINUM IMAGE II PANEL'**

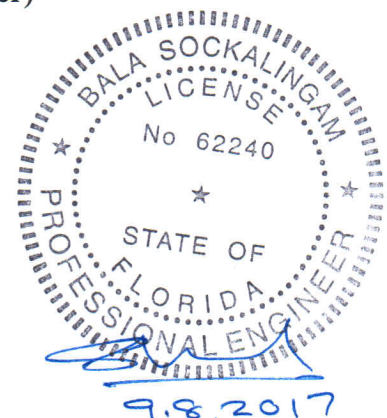
**FLORIDA BUILDING CODE 6TH EDITION (2017)
FLORIDA PRODUCT APPROVAL
FL 11560.2-R3
ROOFING
METAL ROOFING**

**Prepared For:
Metal Sales Manufacturing Corporation
545 South 3rd Street, Suite 200
Louisville, KY 40202
Telephone: (502) 855-4300
Fax: (502) 855-4200**

**Prepared By:
Bala Sockalingam, Ph.D., P.E.
Florida Professional Engineer #62240
1216 N Lansing Ave., Suite C
Tulsa, OK 74106
Telephone: (918) 492-5992
FAX: (866) 366-1543**

**This report consists of
Evaluation Report (3 Pages including cover)
Installation Details (1 Page)
Load Span Table (1 Page)**

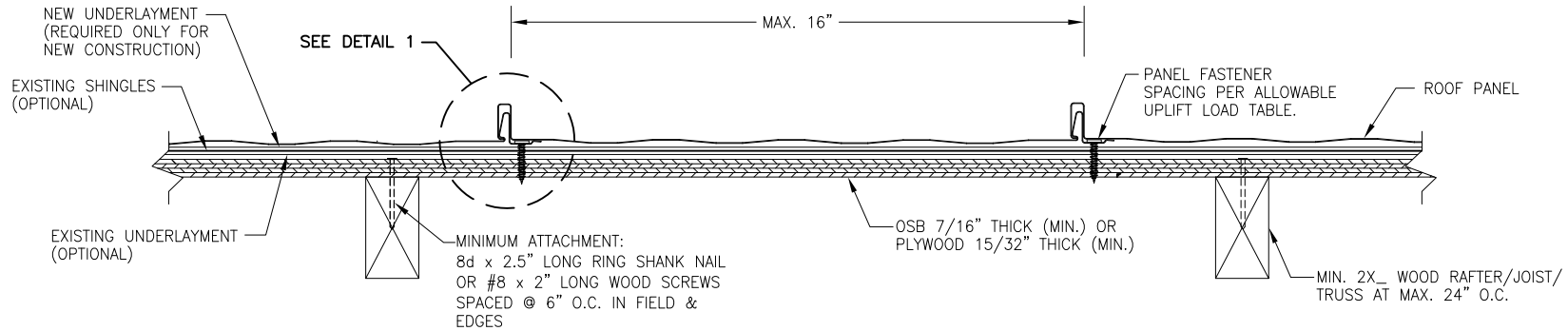
**Report No. C2181-2
Date: 9.8.2017**



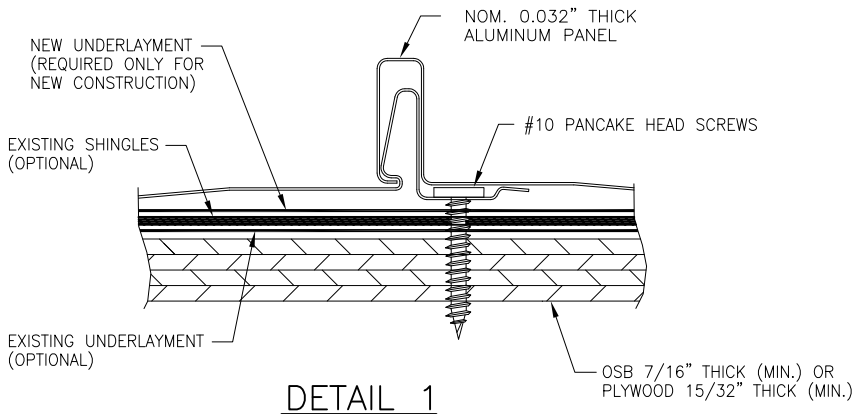
Manufacturer:	Metal Sales Manufacturing Corporation
Product Name:	Aluminum Image II
Panel Description:	Max. 16" wide coverage with 1" high ribs
Materials:	Nom. 0.032" thick 3004-H14 or 3105-H24 Alloy (ASTM B209).
Deck Description:	Min. 7/16" thick OSB, min. 15/32" thick Plywood or min. 3/4" thick wood plank (min SG of 0.42) for new and existing constructions. Designed by others and installed as per FBC 2017.
Deck Attachment: (Minimum)	8d x 2.5" long ring shank nails or #8 x 2" long wood screws @ 6" o.c. in the deck field and edges. Designed as per FBC 2017.
New Underlayment:	Minimum underlayment as per FBC 2017 Section 1507.4.5.1. Required for new construction and optional for reroofing construction.
Existing Underlayment: (Optional)	One layer of asphalt shingles over one layer of #30 felt. For reroofing construction only.
Slope:	1/2:12 or greater in accordance with FBC 2017 Section 1507.4.2. Requires applied lap sealant for roof slopes less than 3:12.
Design Uplift Pressure: (Factor of Safety = 2)	22.5 psf @ fastener spacing of 24" o.c. 107.4 psf @ fastener spacing of 6" o.c.
Fastener Pattern:	#10-12 pancake head screws along panel seam. Fastener shall be of sufficient length to penetrate through the deck a minimum of 1/4".
Test Standards:	Roof assembly tested in accordance with UL580-94 (Rev 98) 'Uplift Resistance of Roof Assemblies' & UL1897-98 'Uplift Tests for Roof Covering Systems'.
Test Equivalency:	The test procedures in UL 580-94 comply with test procedures prescribed in UL 580-06. The test procedures in UL 1897-98 comply with test procedures prescribed in UL 1897-12.
Code Compliance:	The product described herein has demonstrated compliance with FBC 2017 Section 1507.4.
Product Limitations:	Design wind loads shall be determined for each project in accordance with FBC 2017 Section 1609 or ASCE 7-10 using allowable stress design. The maximum fastener spacing listed herein shall not be exceeded. The design pressure for reduced fastener spacing may be

computed using rational analysis prepared by a Florida Professional Engineer or based on Metal Sales load span table. This evaluation report is not applicable in High Velocity Hurricane Zone. Fire classification is not within scope of this Evaluation Report. Refer to FBC 2017 Section 1505 and current approved roofing materials directory or ASTM E108/UL790 report from an accredited laboratory for fire ratings of this product.

Supporting Documents: UL580 & UL1897 Test Reports
Farabaugh Engineering and Testing Inc.
Project No. T209-11, Reporting Date 5/27/11



TYPICAL PANEL INSTALLATION X-SECTION



DETAIL 1

GENERAL NOTES:

1. ARCHITECTURAL ROOF PANEL HAS BEEN DESIGNED IN ACCORDANCE WITH THE FLORIDA BUILDING CODE (FBC).
2. ROOF PANELS ARE SHALL BE NOM. 0.032" THICK ALUMINUM. MAX. COVERING WIDTH OF PANEL = 16".
3. THE ROOF PANELS SHALL BE INSTALLED OVER SHEATHING & STRUCTURE AS SPECIFIED ON THIS DRAWING.
4. REQUIRED DESIGN WIND LOADS SHALL BE DETERMINED FOR EACH PROJECT. THIS PANEL SYSTEM MAY NOT BE INSTALLED WHEN THE REQUIRED DESIGN WIND LOADS ARE GREATER THAN THE ALLOWABLE WIND LOADS SPECIFIED ON THIS DRAWING.
5. ALL FASTENERS MUST BE IN ACCORDANCE WITH THIS DRAWING & THE FLORIDA BUILDING CODE. IF A DIFFERENCE OCCURS BETWEEN THE MINIMUM REQUIREMENTS OF THIS DRAWING & THE CODE, THE CODE SHALL CONTROL.
6. RAFTERS/JOISTS/TRUSSES MUST BE DESIGNED TO WITHSTAND WIND LOADS AS REQUIRED FOR EACH APPLICATION AND ARE THE RESPONSIBILITY OF OTHERS.

NO.	REVISION DESCRIPTION	DATE

DRAWING TITLE
ALUMINUM IMAGE II ROOF PANEL

CONSULTANTS
BALA SOCKALINGAM, PH.D., P.E.

MANUFACTURER
METAL SALES MANUFACTURING CORP.
545 SOUTH 3RD ST., SUITE 200
LOUISVILLE, KY 40202
502-855-4300

1218 N LANSING AVE, SUITE C
TULSA, OK 74106
PHONE: 918-492-5992 FAX: 918-493-3568

DRAWING NO.	REV.
2181-2	
PAGE NO.	
1	1

DRAWN BY: B.S. CHECKED BY: D.S.

PLOT: DATE: 3/25/15

METAL SALES MANUFACTURING CORPORATION

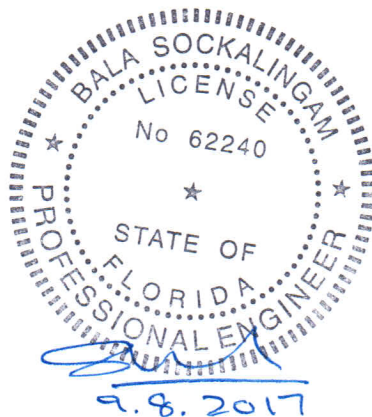
Aluminum Image II Uplift Loads

(Nom. 0.032" thick)

Description	Fastener Spacing along Panel Length (in)	Allowable Uplift Load (psf)
Coverage width: 16" Panel Fastener: #10-12 pancake head screws	6	107.4
	8	80.5
	10	64.4
	12	53.7
	14	46.0
	16	40.3
	18	35.8
	20	32.2
	22	26.8
	24	22.5

Notes:

1. The bold numbers indicate design loads calculated from test data with safety factor of 2.
2. Panels must be installed as per Evaluation Report FL 11560.2 and Metal Sales current installation procedure.
3. Three or more spans condition.



1216 N Lansing Ave., Suite C
Tulsa, Ok 74106
918 492 5992

Bala Sockalingam, Ph.D., P.E.
FL 62240