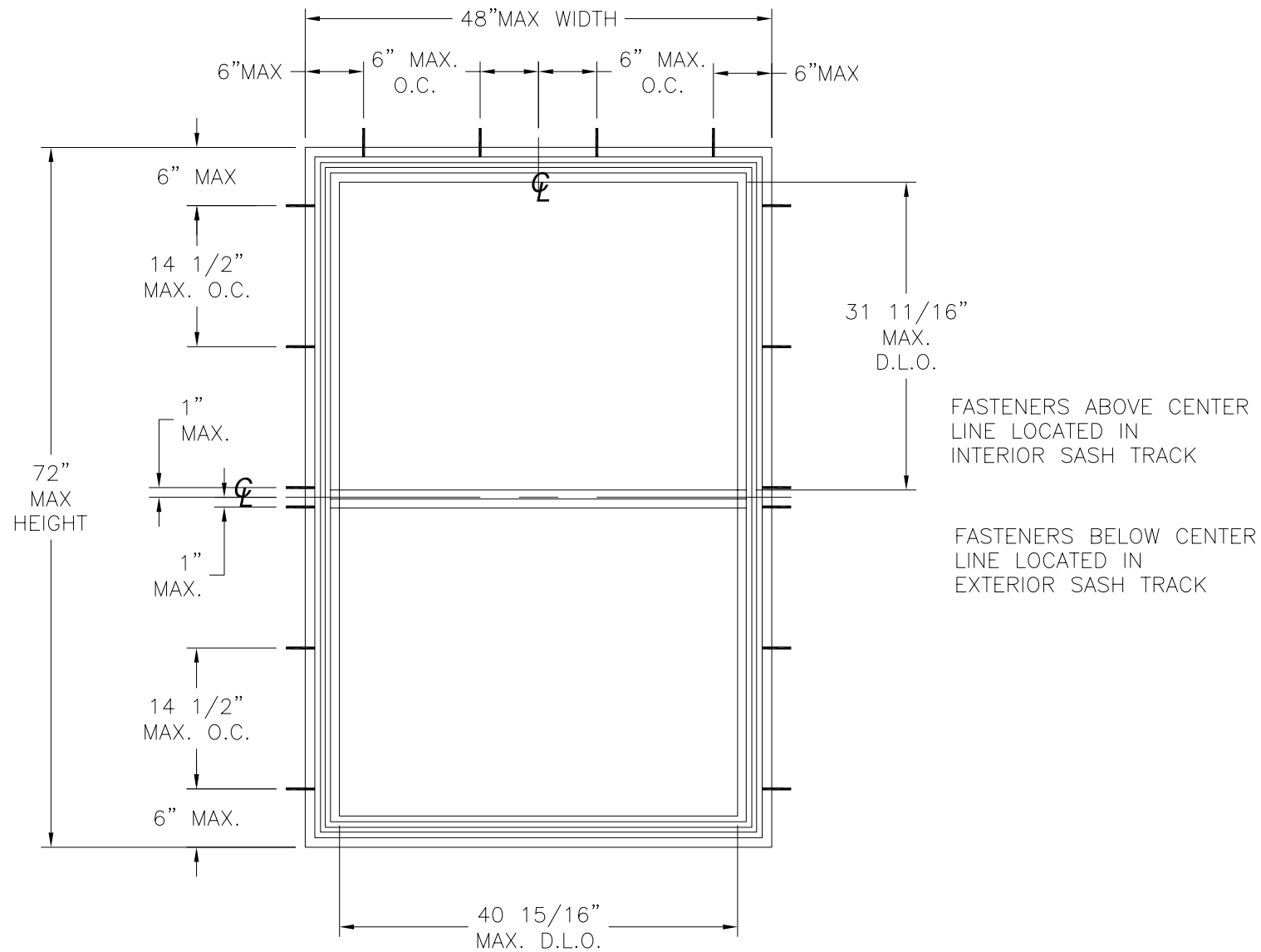


REVISIONS			
REV	DESCRIPTION	DATE	APPROVED



NOTES:

- 1) THE PRODUCT SHOWN HERE IN IS DESIGNED AND MANUFACTURED TO COMPLY WITH THE FLORIDA BUILDING CODE.
- 2) WOOD FRAMING AND MASONRY OPENING TO BE DESIGNED AND ANCHORED TO PROPERLY TRANSFER ALL LOADS TO STRUCTURE. FRAMING AND MASONRY OPENING IS THE RESPONSIBILITY OF THE ARCHITECT OR ENGINEER OF RECORD.
- 3) CONTRACTOR IS RESPONSIBLE FOR MAINTAINING STRUCTURAL INTEGRITY OF WINDOW OPENING AND ALL WOOD FRAMING AROUND WINDOW.
- 4) UNITS MUST BE GLAZED PER ASTM E1300-04, GLAZED WITH INSULATED ANNEALED GLASS.
- 5) APPROVED IMPACT PROTECTIVE SYSTEM IS REQUIRED FOR THIS PRODUCT IN WIND BORNE DEBRIS REGIONS.
- 6) SHIM AS REQUIRED AT EACH INSTALLATION ANCHOR WITH LOAD BEARING SHIM. SHIM WHERE SPACE OF 1/16" OR GREATER OCCURS. MAXIMUM ALLOWABLE SHIM STACK TO BE 1/4".
- 7) FOR INSTALLATION INTO WOOD FRAMING OR 2X BUCK USE #10 WOOD SCREW WITH SUFFICIENT LENGTH TO ACHIEVE A 1 3/8" MINIMUM EMBEDMENT INTO SUBSTRATE. LOCATE ANCHORS AS SHOWN IN ELEVATIONS AND INSTALLATION DETAILS.
- 8) FOR INSTALLATION INTO CONCRETE/MASONRY USE 3/16" TAPCON WITH SUFFICIENT LENGTH TO ACHIEVE A 1 1/4" MINIMUM EMBEDMENT INTO SUBSTRATE. LOCATE ANCHORS AS SHOWN IN ELEVATIONS AND INSTALLATION DETAILS.
- 9) ALL FASTENERS TO BE CORROSION RESISTANT.
- 10) INSTALLATION ANCHORS SHALL BE INSTALLED IN ACCORDANCE WITH ANCHOR MANUFACTURER'S INSTALLATION INSTRUCTIONS, AND ANCHORS SHALL NOT BE USED IN SUBSTRATES WITH STRENGTHS LESS THAN THE MINIMUM STRENGTH SPECIFIED BELOW:
 - A. WOOD - MINIMUM SPECIFIC GRAVITY OF G=0.42
 - B. CONCRETE - MINIMUM COMPRESSIVE STRENGTH OF 3,200 PSI.
 - C. MASONRY - STRENGTH CONFORMANCE TO ASTM C-90, GRADE N, TYPE 1 (OR GREATER).
- 11) ALLOWABLE STRESS INCREASE OF 1/3 WAS NOT USED IN THE DESIGN OF THE PRODUCT SHOWN HEREIN. WIND LOAD DURATION FACTOR Cd=1.6 WAS USED FOR WOOD ANCHOR CALCULATIONS.
- 12) FRAME MATERIAL: RIGID PVC
- 13) LOCK RAIL MUST BE REINFORCED WITH STEEL REINFORCEMENT RF3101SOM
- 14) KEEPER RAIL MUST BE REINFORCED WITH STEEL REINFORCEMENT RF3001SOM

7700 / 9900 SERIES VINYL DOUBLE HUNG WINDOW
EXTERIOR VIEW

DESIGN PRESSURE RATING	IMPACT RATING
+ 45.0 / -50.0 PSF	NONE

SIGNED: 05/08/2012

WINCORE WINDOW COMPANY, LLC.
250 STAUNTON AVE.
PARKERSBURG, WV 26104

7700/9900 SERIES VINYL DOUBLE HUNG WINDOW
REINFORCED 48 X 72
ELEVATION AND NOTES

DRAWN: A.M	DWG NO. 08-01557	REV -
SCALE NTS	DATE 05/12/08	SHEET 1 OF 3

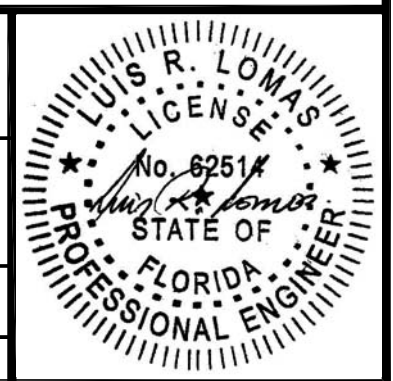
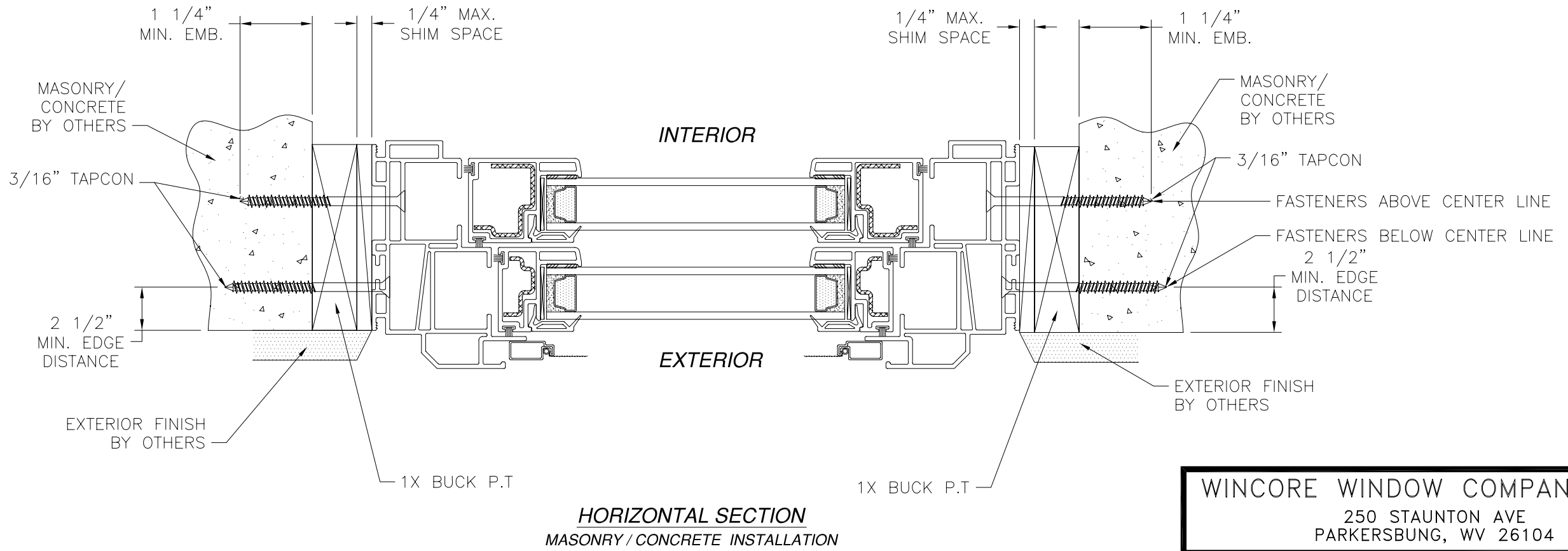
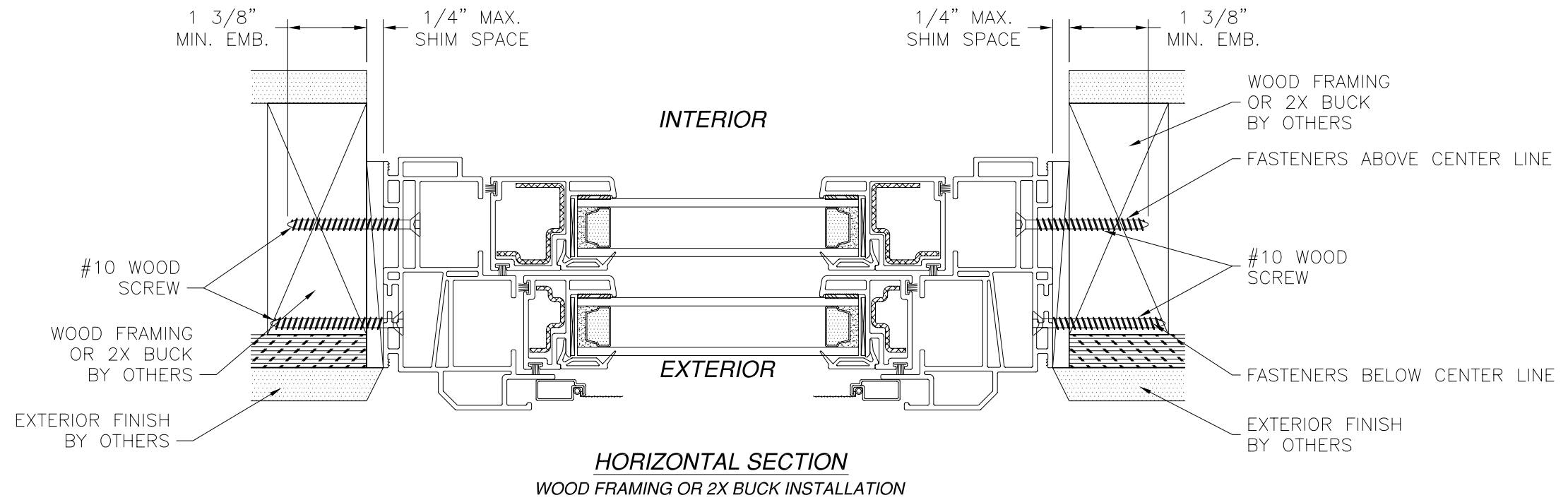


TABLE OF CONTENTS	
SHEET NO.	DESCRIPTION
1	ELEVATION, ANCHORING AND GENERAL NOTES
2 - 3	INSTALLATION DETAILS

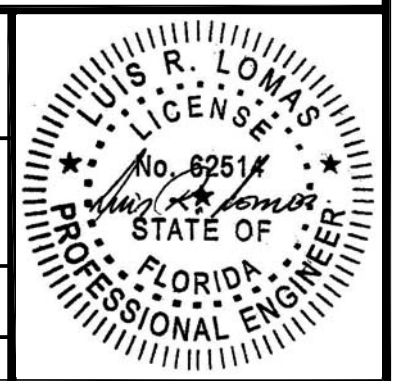
REVISIONS			
REV	DESCRIPTION	DATE	APPROVED



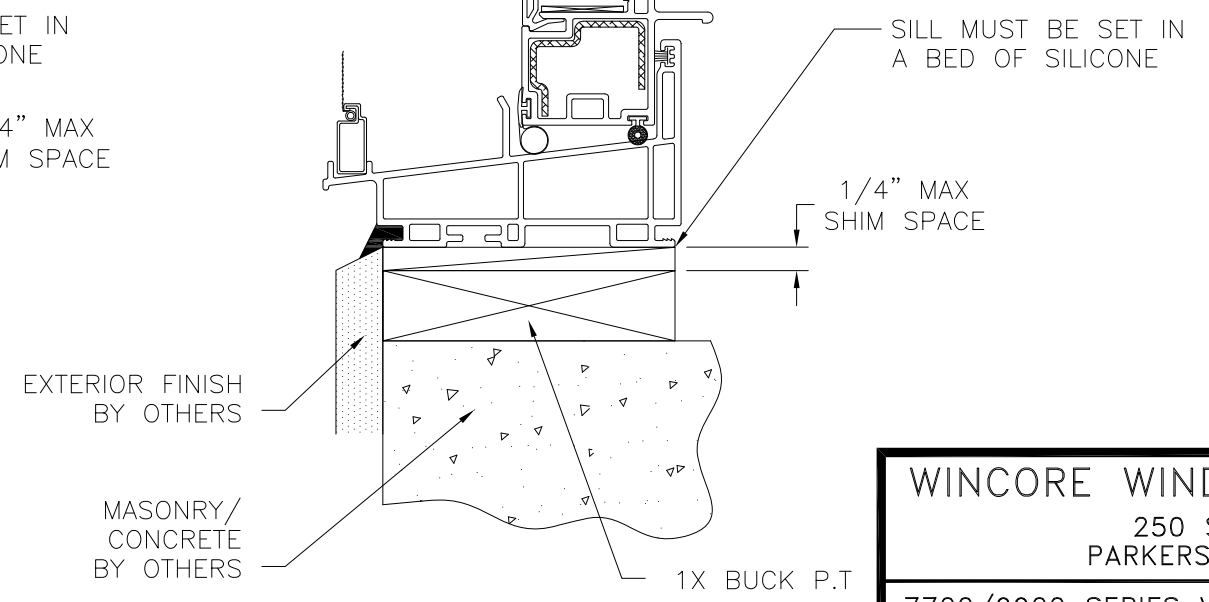
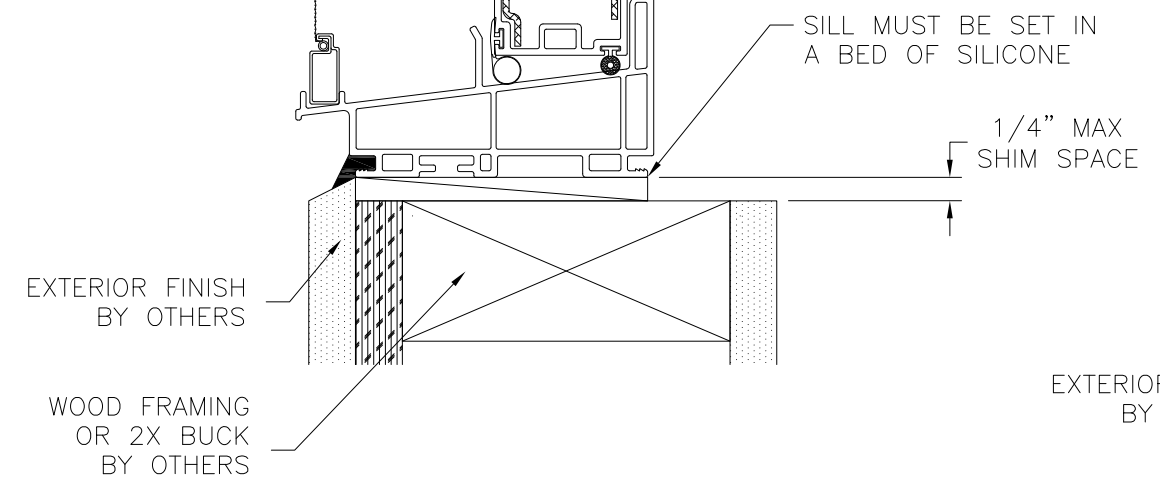
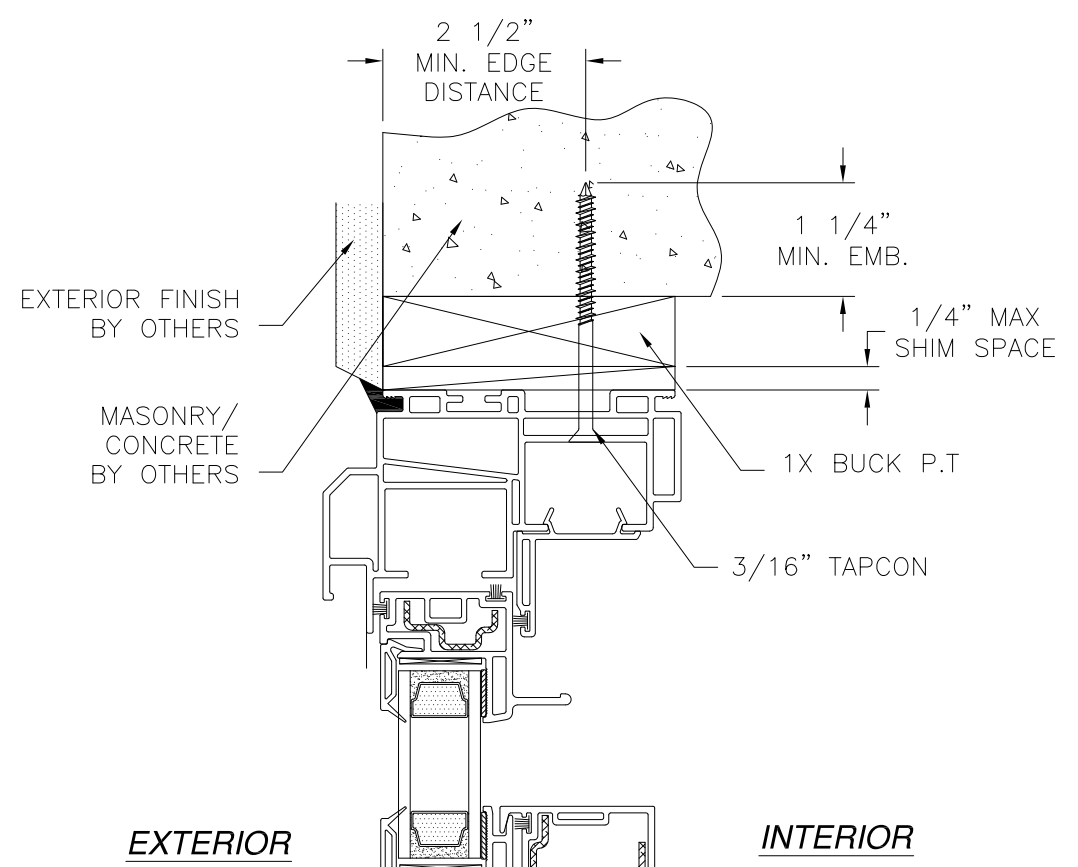
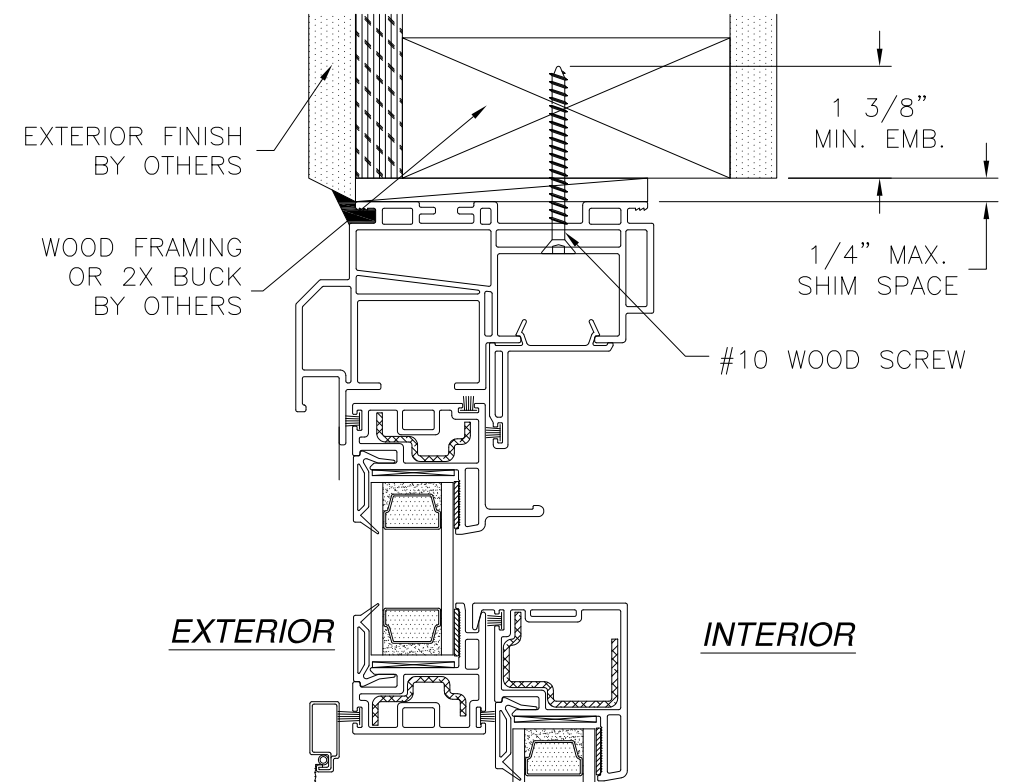
WINCORE WINDOW COMPANY, LLC.
250 STAUNTON AVE
PARKERSBURG, WV 26104

7700/9900 SERIES VINYL DOUBLE HUNG WINDOW
REINFORCED 48 X 72
INSTALLATION DETAILS

DRAWN: AM	DWG NO. 08-01557	REV -
SCALE NTS	DATE 05/12/08	SHEET 2 OF 3



REVISIONS			
REV	DESCRIPTION	DATE	APPROVED



VERTICAL SECTION
WOOD FRAMING OR 2X BUCK INSTALLATION

VERTICAL SECTION
MASONRY / CONCRETE INSTALLATION

WINCORE WINDOW COMPANY, LLC.
250 STAUNTON AVE
PARKERSBURG, WV 26104

7700/9900 SERIES VINYL DOUBLE HUNG WINDOW
REINFORCED 48 X 72
INSTALLATION DETAILS

DRAWN: AM	DWG NO. 08-01557	REV -
SCALE NTS	DATE 05/12/08	SHEET 3 OF 3

