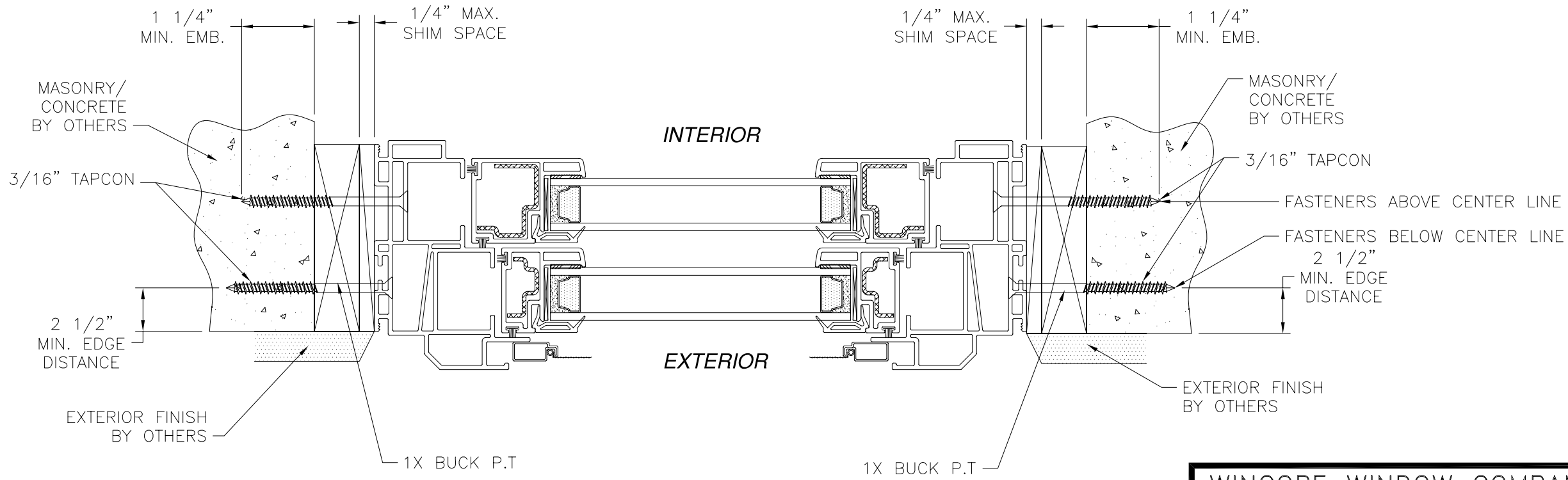
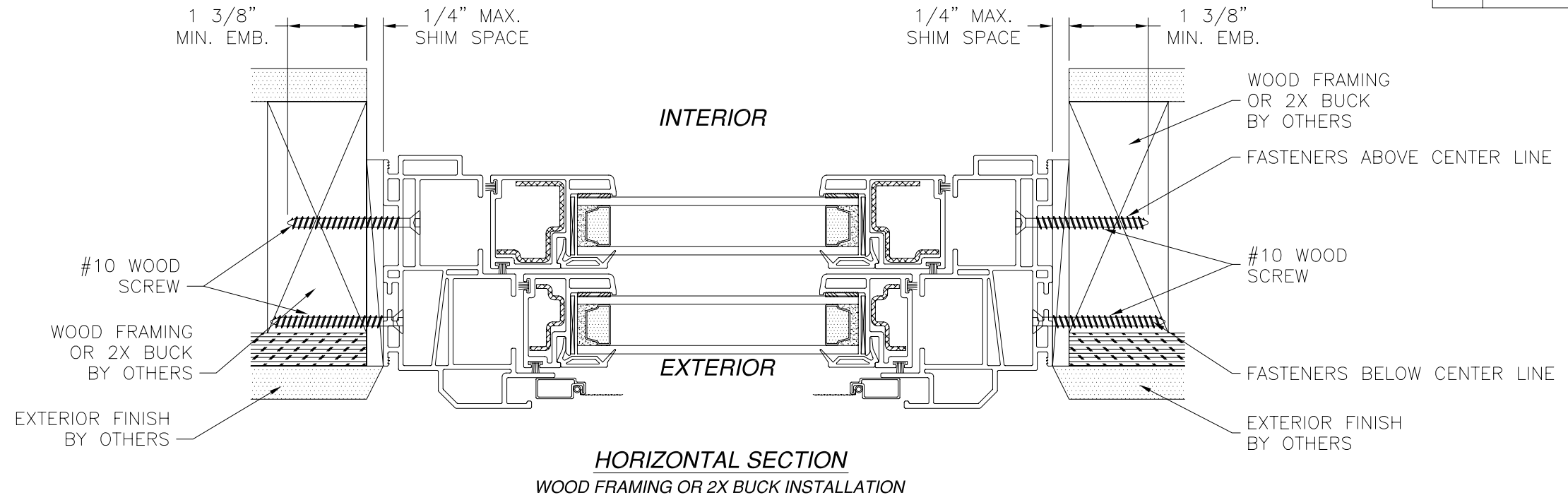




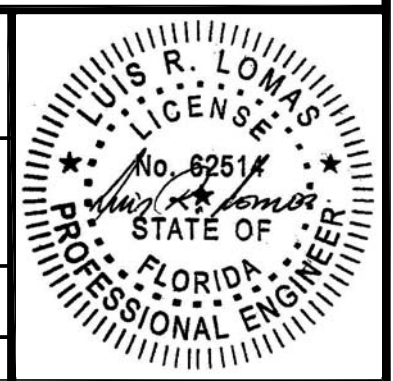
REVISIONS			
REV	DESCRIPTION	DATE	APPROVED
A	REVISED TO COMPLY WITH 2010 FBC	04/25/12	R.L.



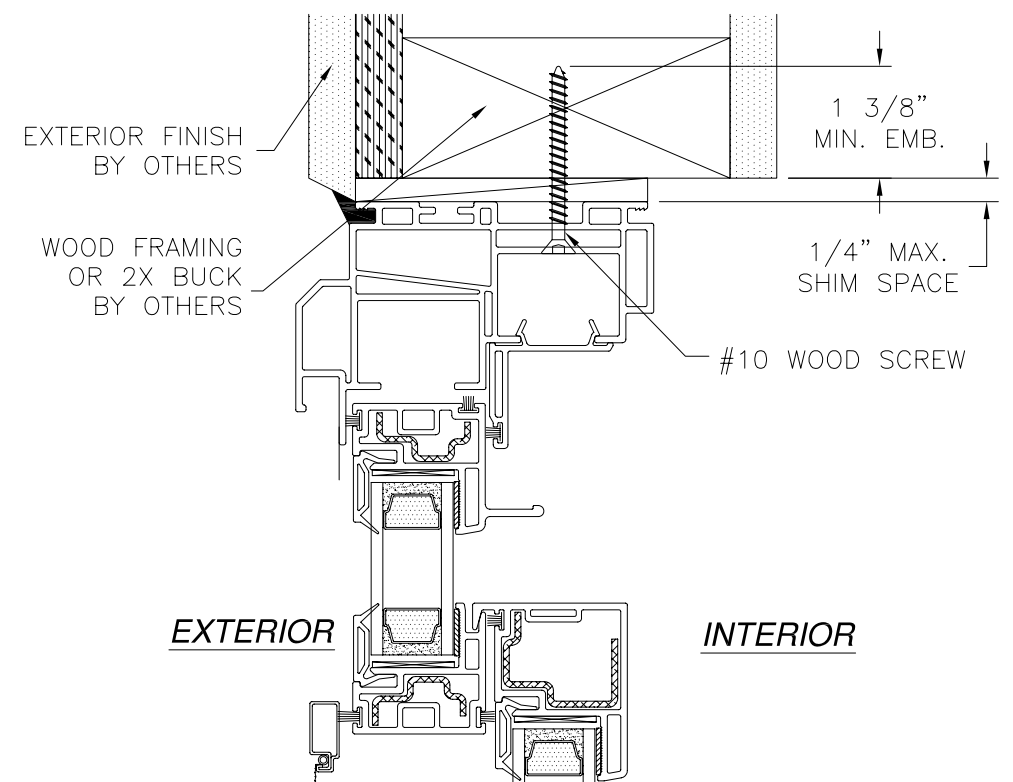
**WINCORE WINDOW COMPANY, LLC.**  
 250 STAUNTON AVE  
 PARKERSBURG, WV 26104

7700/9900 SERIES VINYL DOUBLE HUNG WINDOW  
 REINFORCED 37 X 76  
 INSTALLATION DETAILS

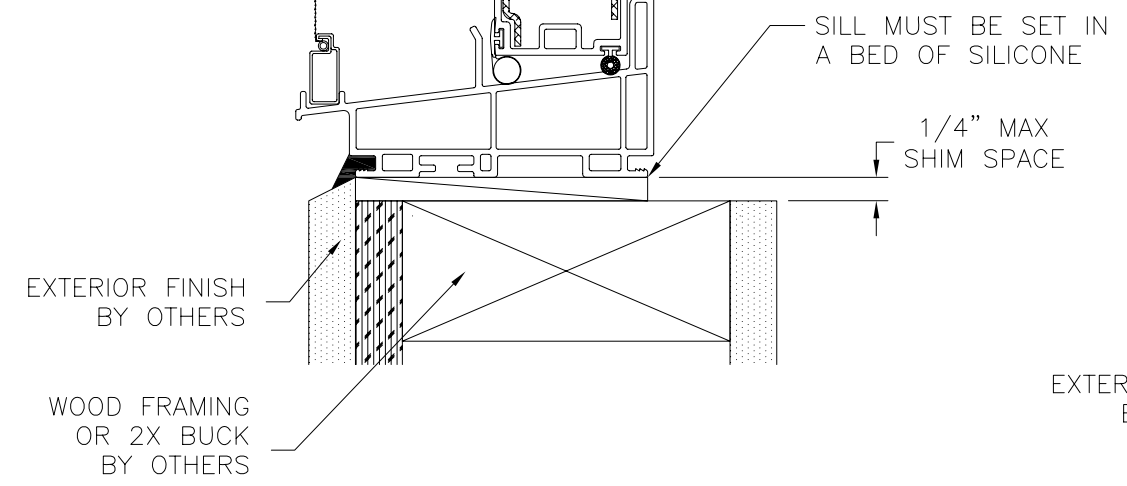
DRAWN: AM	DWG NO. 08-00440	REV A
SCALE NTS	DATE 05/12/08	SHEET 2 OF 3



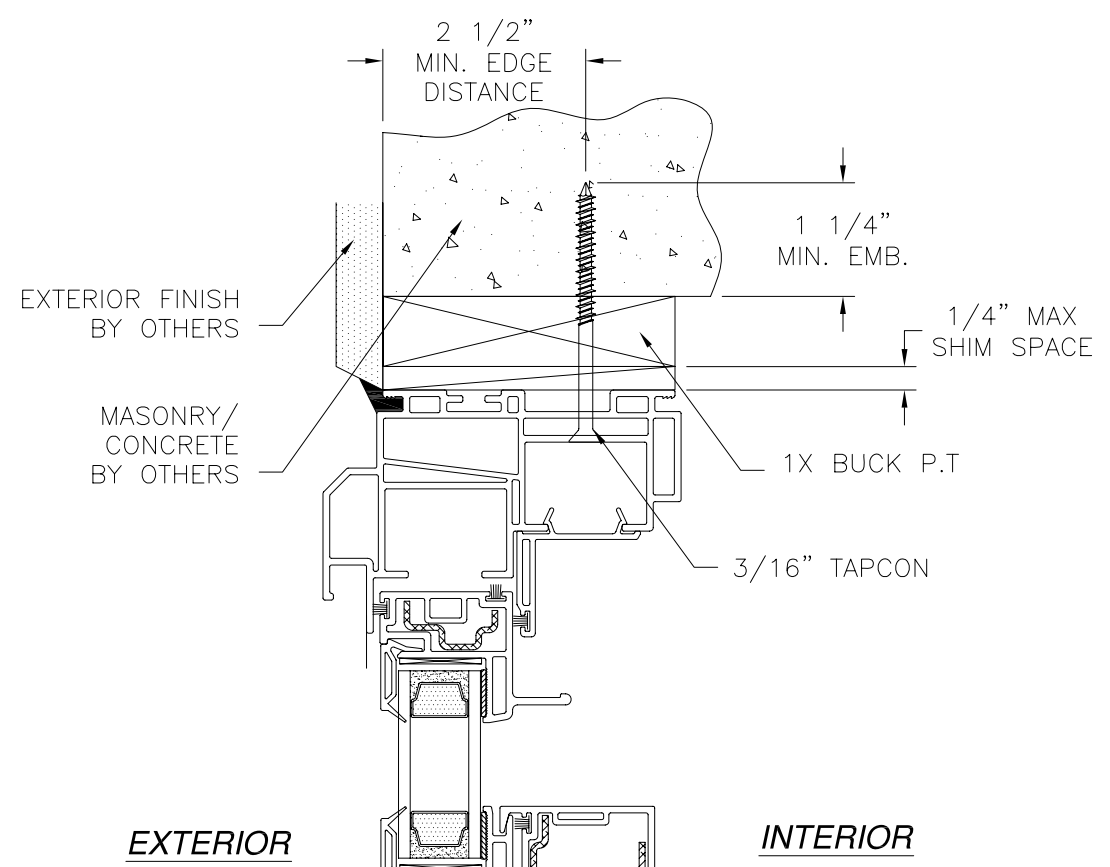
REVISIONS			
REV	DESCRIPTION	DATE	APPROVED
A	REVISED TO COMPLY WITH 2010 FBC	04/25/12	R.L.



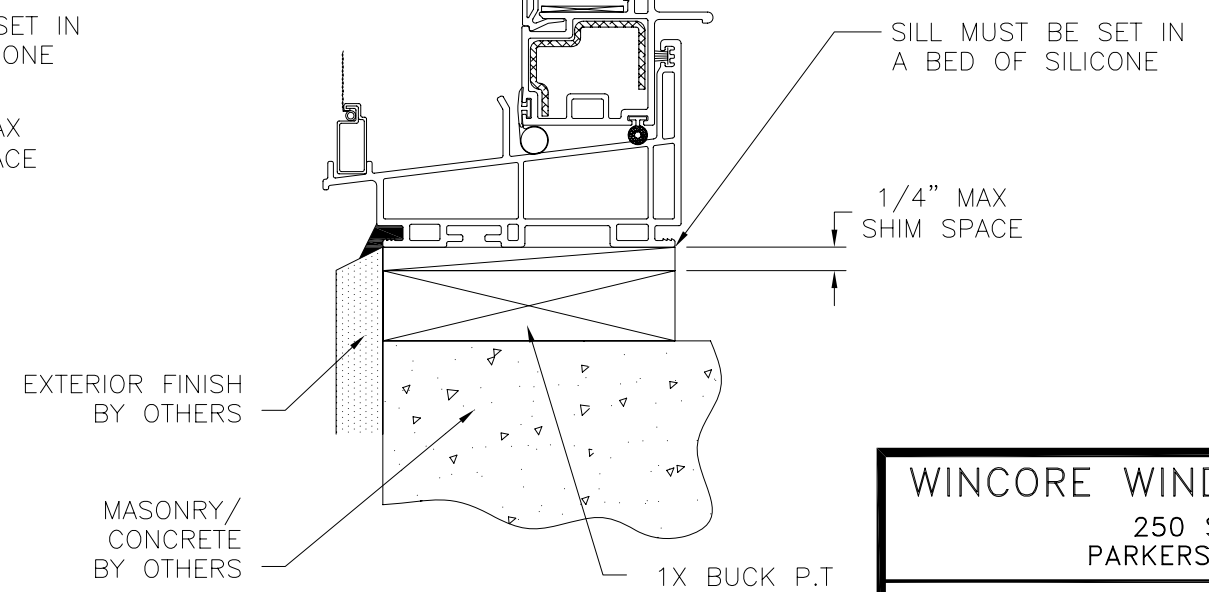
**EXTERIOR**                      **INTERIOR**



**VERTICAL SECTION**  
WOOD FRAMING OR 2X BUCK INSTALLATION



**EXTERIOR**                      **INTERIOR**



**VERTICAL SECTION**  
MASONRY / CONCRETE INSTALLATION

**WINCORE WINDOW COMPANY, LLC.**  
250 STAUNTON AVE  
PARKERSBURG, WV 26104  
**7700/9900 SERIES VINYL DOUBLE HUNG WINDOW**  
REINFORCED 37 X 76  
INSTALLATION DETAILS

DRAWN: AM	DWG NO. 08-00440	REV A
SCALE NTS	DATE 05/12/08	SHEET 3 OF 3

