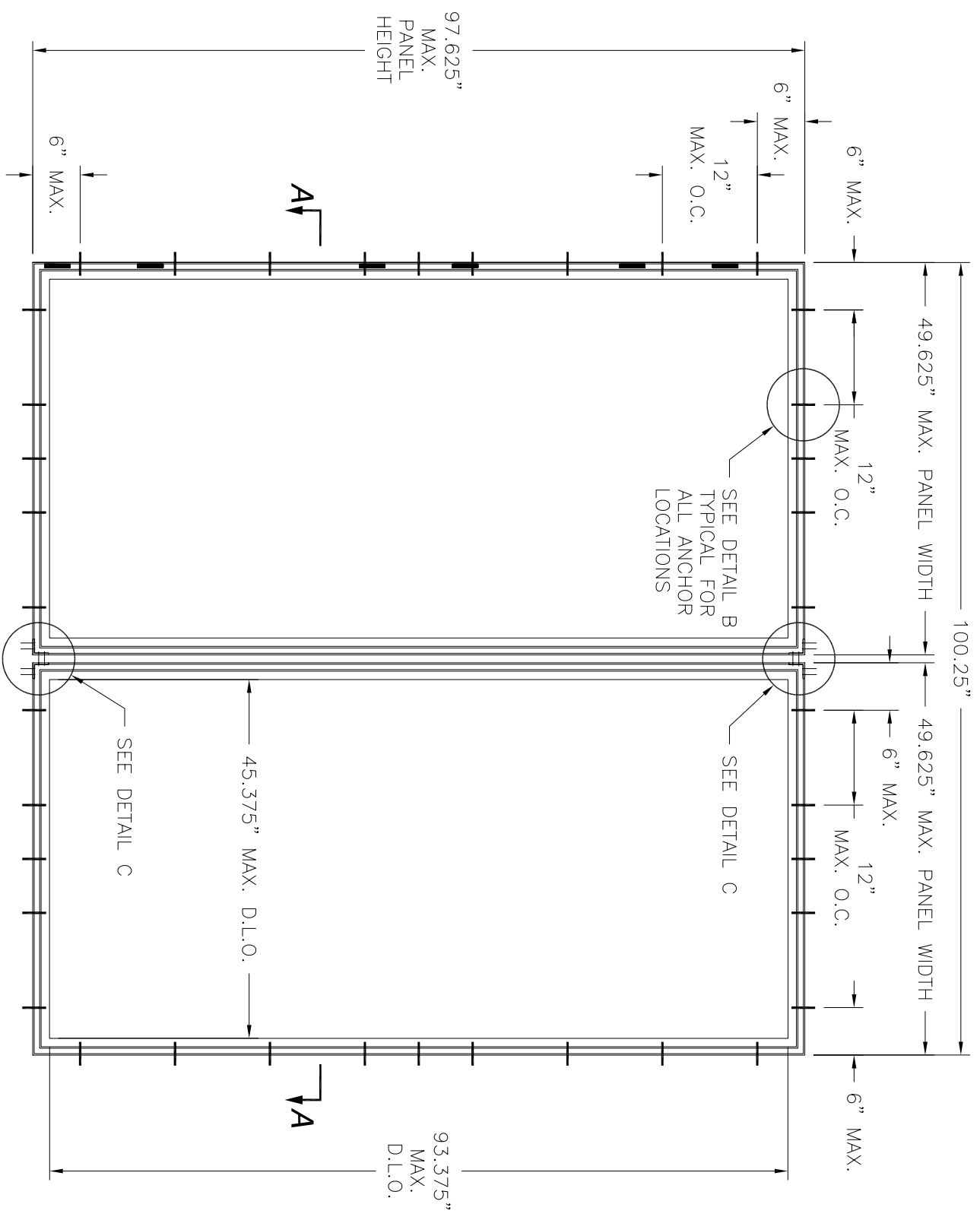


REVISIONS			
REV	DESCRIPTION	DATE	APPROVED



1850 ALUMINUM FIXED SHUTTER
EXTERIOR VIEW

FOR OUTSIDE HVHZ

DESIGN PRESSURE RATING	IMPACT RATING
±75.0PSF	LARGE AND SMALL MISSILE IMPACT

FOR INSIDE HVHZ

DESIGN PRESSURE RATING	IMPACT RATING
±75.0PSF	LARGE MISSILE IMPACT

NOTES:

- 1) THE PRODUCT SHOWN HEREIN IS DESIGNED AND MANUFACTURED TO COMPLY WITH THE 2007 FLORIDA BUILDING CODE INCLUDING THE HVHZ.
- 2) WOOD FRAMING, METAL FRAMING AND MASONRY OPENING TO BE DESIGNED AND ANCHORED TO PROPERLY TRANSFER ALL LOADS TO STRUCTURE. FRAMING AND MASONRY OPENING IS THE RESPONSIBILITY OF THE ARCHITECT OR ENGINEER OF RECORD.
- 3) CONTRACTOR IS RESPONSIBLE FOR MAINTAINING STRUCTURAL INTEGRITY OF OPENING.
- 4) APPROVED IMPACT PROTECTIVE SYSTEM IS NOT REQUIRED FOR THIS PRODUCT IN AREAS WHERE WIND BORNE DEBRIS PROTECTION IS REQUIRED.
- 5) UNITS MUST BE GLAZED WITH 3/8" LAMINATED GLASS CONSISTING OF 3/16" HS - .090" DUPONT SENTRYGLAS PLUS INTERLAYER - 3/16" HS PER ASTM E1300. SEE GLAZING DETAIL.
- 6) FOR ANCHORING INTO WOOD FRAMING OR 2X BUCK USE #10 WOOD SCREW WITH SUFFICIENT LENGTH TO ACHIEVE A 1 3/8" MINIMUM EMBEDMENT INTO SUBSTRATE. LOCATE ANCHORS AS SHOWN IN ELEVATIONS AND INSTALLATION DETAILS.
- 7) FOR ANCHORING INTO MASONRY USE 3/16" ITW TAPCONS WITH SUFFICIENT LENGTH TO ACHIEVE A 1 1/4" MINIMUM EMBEDMENT INTO SUBSTRATE WITH 2 1/2" MINIMUM EDGE DISTANCE. LOCATE ANCHORS AS SHOWN IN ELEVATIONS AND INSTALLATION DETAILS.
- 8) ALL FASTENERS TO BE CORROSION RESISTANT.
- 9) INSTALLATION ANCHORS SHALL BE INSTALLED IN ACCORDANCE WITH ANCHOR MANUFACTURER'S INSTALLATION INSTRUCTIONS, AND ANCHORS SHALL NOT BE USED IN SUBSTRATES WITH STRENGTHS LESS THAN THE MINIMUM STRENGTH SPECIFIED BELOW:
 - A. WOOD - MINIMUM SPECIFIC GRAVITY OF G=0.42
 - B. CONCRETE - MINIMUM COMPRESSIVE STRENGTH OF 3,200 PSI.
 - C. MASONRY - STRENGTH CONFORMANCE TO ASTM C-90, GRADE N, TYPE 1 (OR GREATER).
- 10) ALLOWABLE STRESS INCREASE OF 1/3 WAS NOT USED IN THE DESIGN OF THE PRODUCT SHOWN HEREIN. WIND LOAD DURATION FACTOR Cd=1.6 WAS USED FOR WOOD ANCHOR CALCULATIONS.
- 11) MAIN FRAME AND SUBFRAME MATERIAL: ALUMINUM 6063-T52
- 12) PANELS MAY BE MULLED INDEFINITELY AS LONG AS PANEL SIZE AS SHOWN IS NOT EXCEEDED AND ANCHORED AS SHOWN IN THIS DOCUMENT.

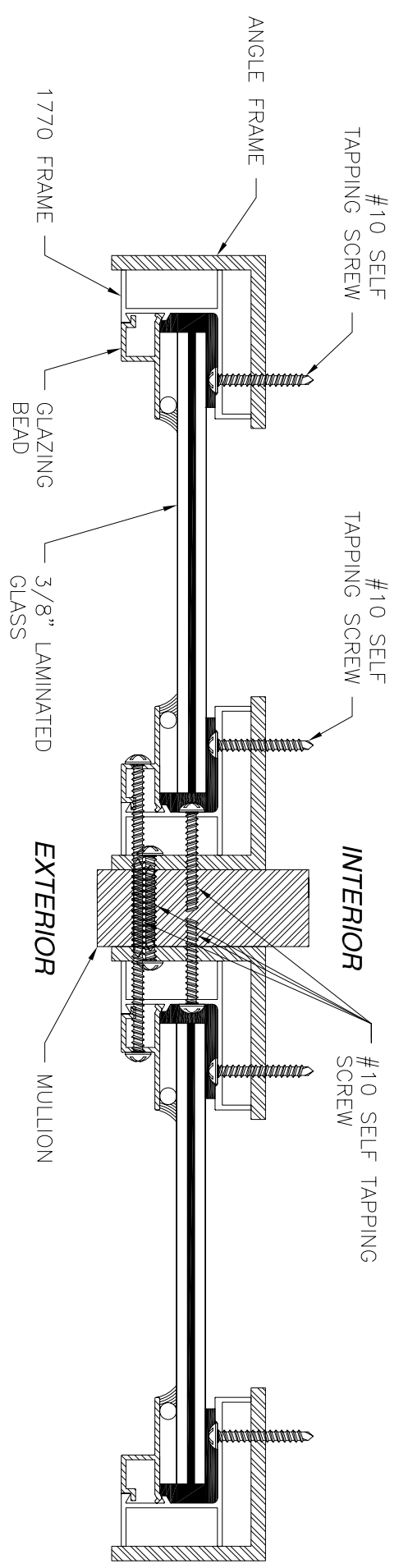
TABLE OF CONTENTS	
SHEET NO.	DESCRIPTION
1	ELEVATION AND GENERAL NOTES
2	CROSS SECTIONS AND COMPONENTS
3 - 4	INSTALLATION DETAILS

BOVARD STUDIO, INC.
2281 HIGHWAY 34 EAST
FAIRFIELD, IA 52556

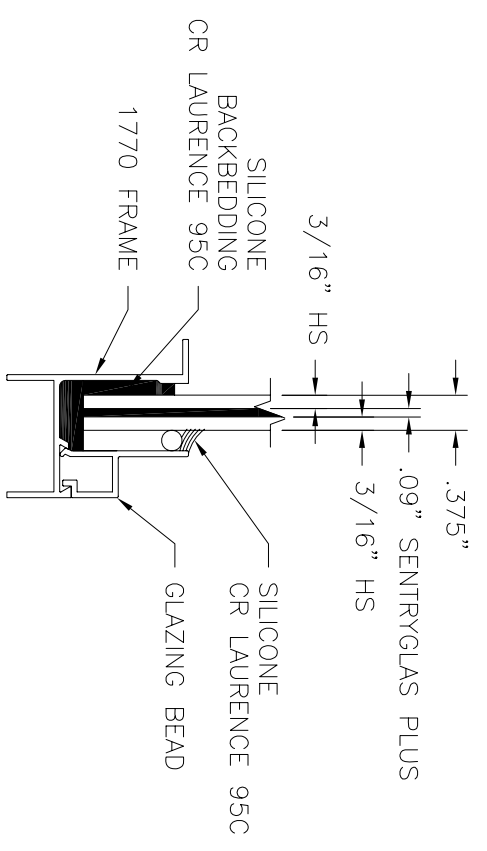
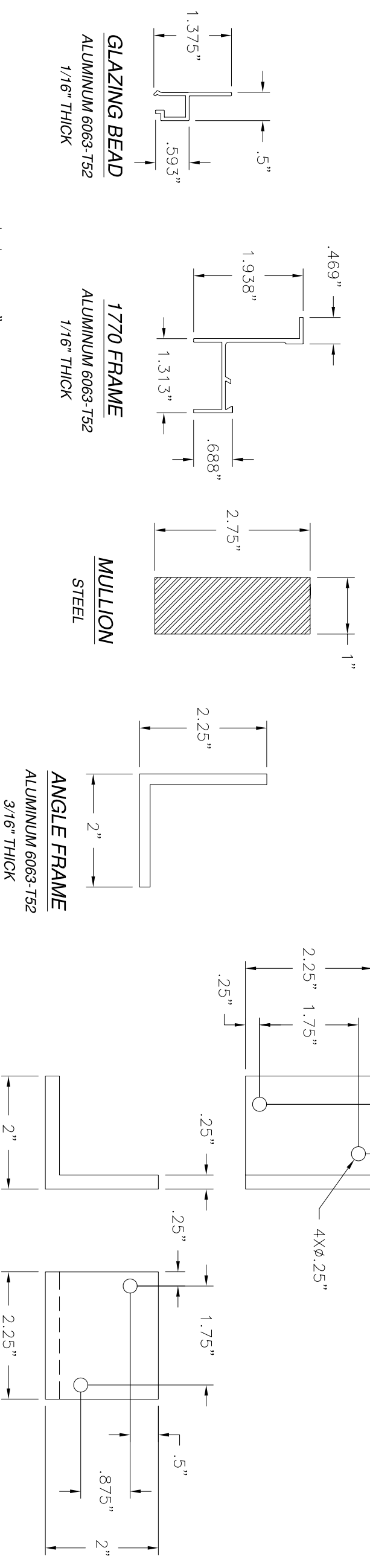
1850 ALUMINUM FIXED SHUTTER
49 5/8" x 97 5/8" (SINGLE PANEL)
ELEVATION AND GENERAL NOTES

DRAWN: R.L.	DWG NO. FL 00462	REV -	Luis R. Lomas P.E. Florida No. 62514
SCALE NTS	DATE 4/30/08	SHEET 1 OF 4	

REVISIONS			
REV	DESCRIPTION	DATE	APPROVED



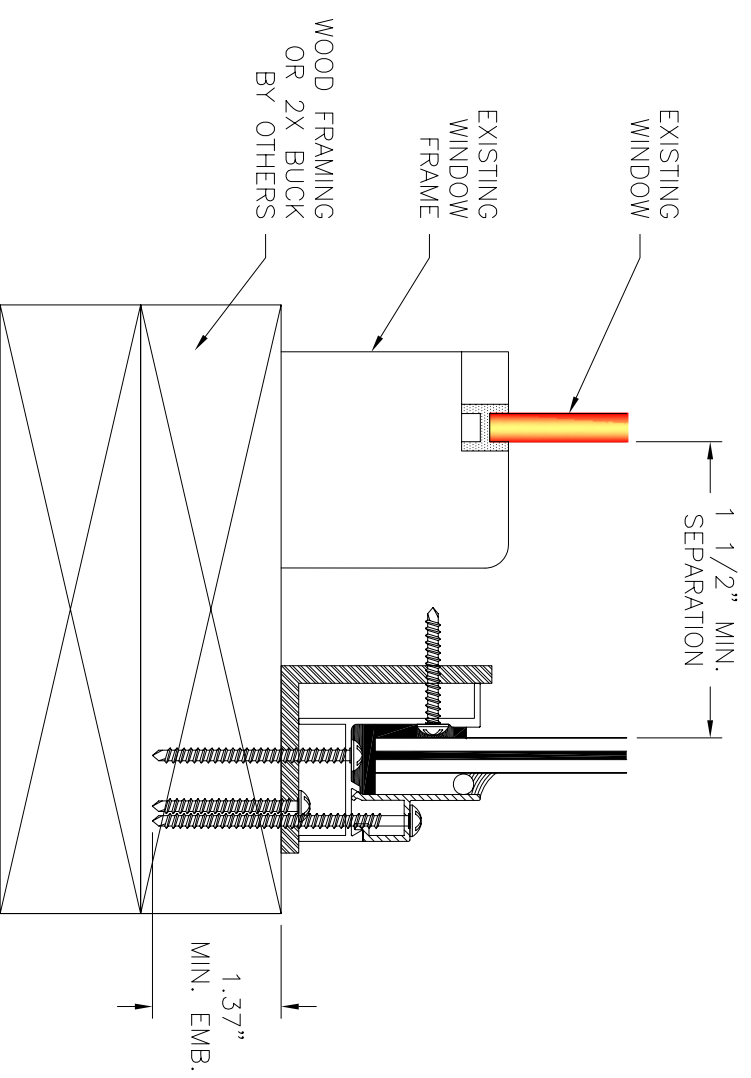
SECTION A-A
HORIZONTAL SECTION SHOWN
VERTICAL SECTION SIMILAR



GLAZING DETAIL

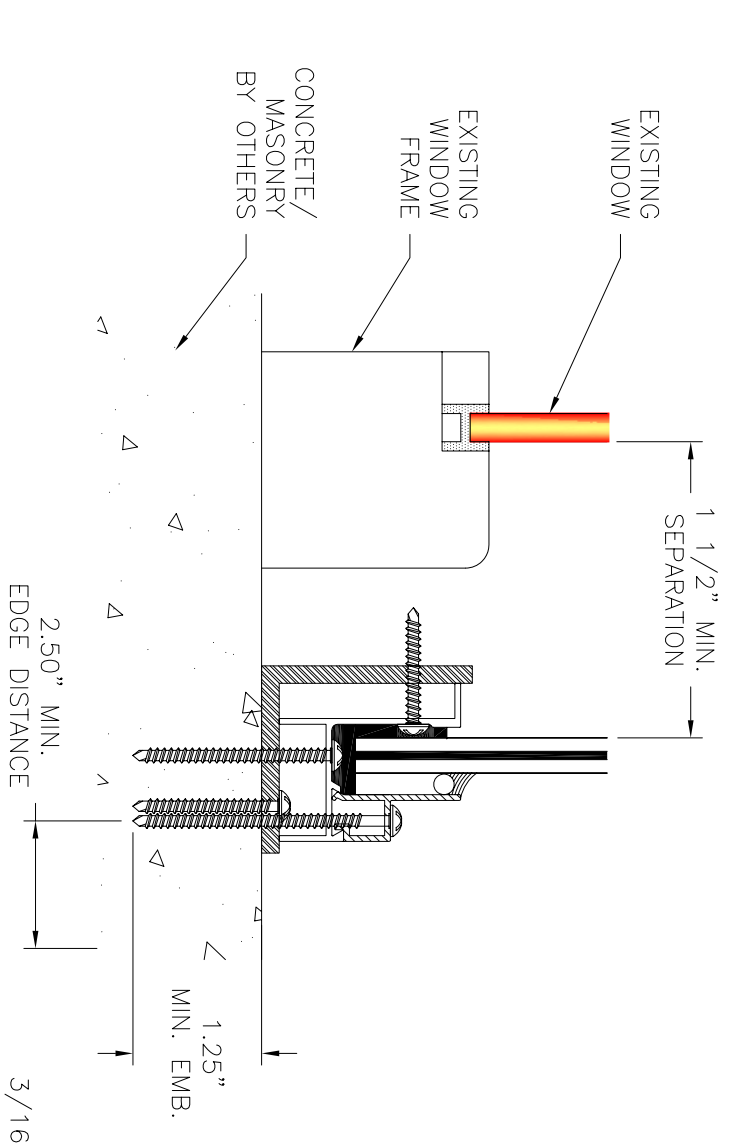
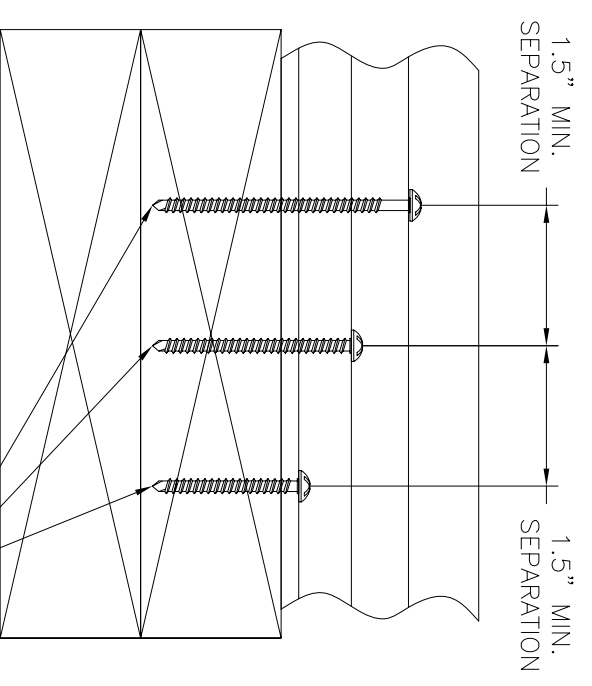
BOVARD STUDIO, INC. 2281 HIGHWAY 34 EAST FAIRFIELD, IA 52556		1850 ALUMINUM FIXED SHUTTER 49 5/8" x 97 5/8" (SINGLE PANEL) CROSS SECTIONS AND COMPONENTS	DRAWN: R.L.	DWG. NO. FL 00462	REV -
SCALE NTS	DATE 4/30/08		SHEET 2 OF 4	Luis R. Lomas, P.E. Florida No. 62514	

REVISIONS			
REV	DESCRIPTION	DATE	APPROVED



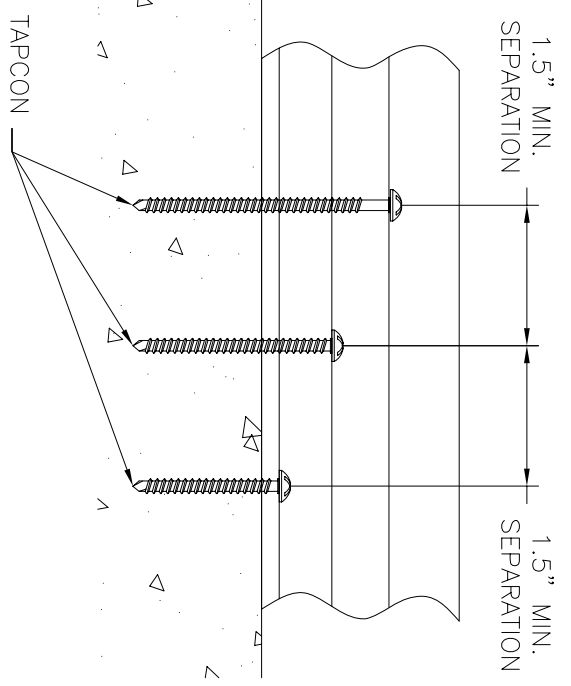
DETAIL B

PERIMETER ANCHOR INSTALLATION
WOOD FRAMING OR 2X BUCK



DETAIL B

PERIMETER ANCHOR INSTALLATION
CONCRETE/MASONRY



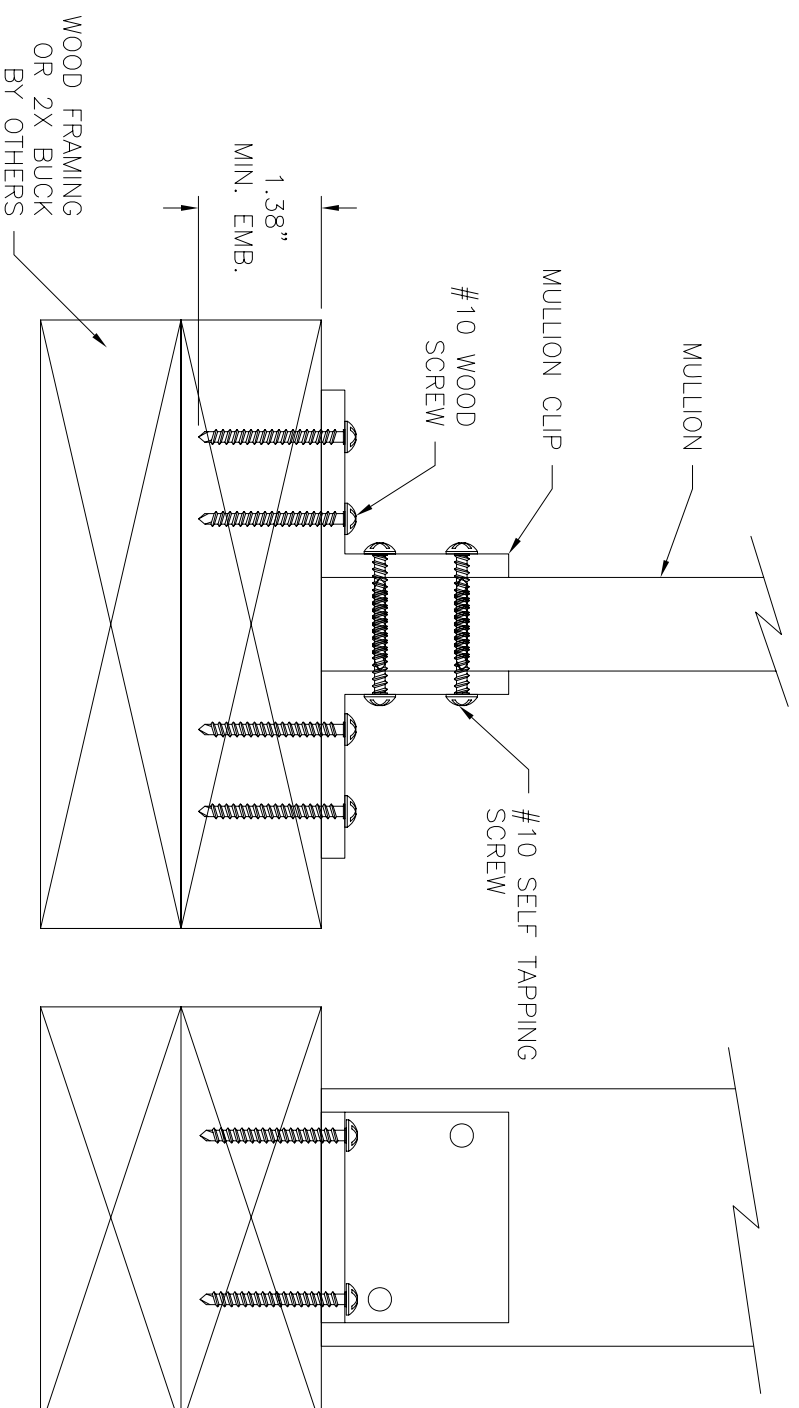
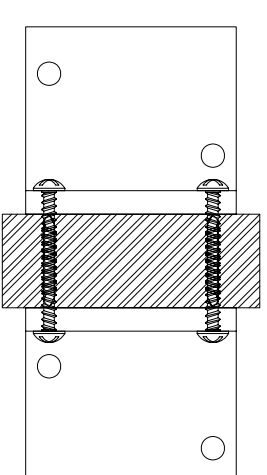
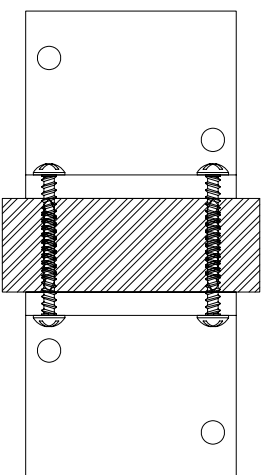
BOVARD STUDIO, INC.
2281 HIGHWAY 34 EAST
FAIRFIELD, IA 52556

1850 ALUMINUM FIXED SHUTTER
49 5/8" x 97 5/8" (SINGLE PANEL)
INSTALLATION DETAILS

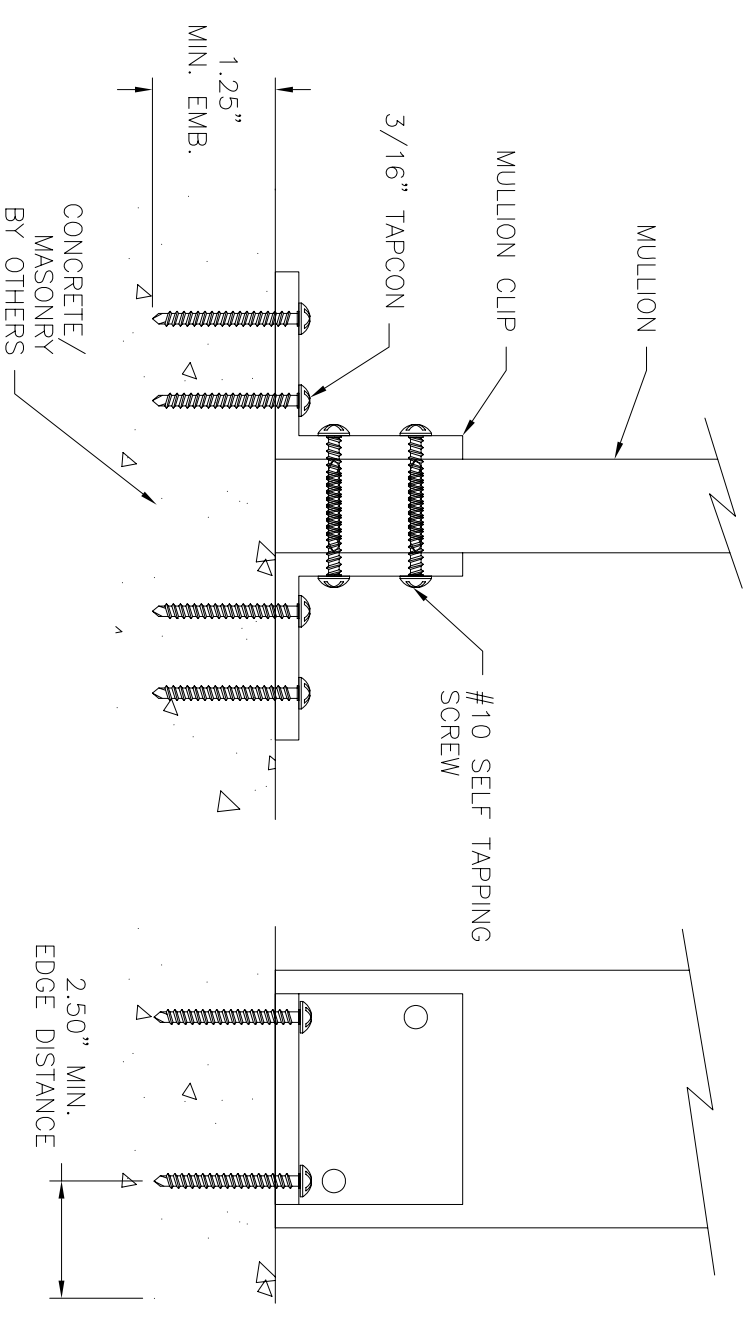
DRAWN: R.L.	DWG NO. FL 00462	REV -
SCALE NTS	DATE 4/30/08	SHEET 3 OF 4

Luis R. Lomas, P.E.
Florida No. 62514

REVISIONS			
REV	DESCRIPTION	DATE	APPROVED



DETAIL C
MULLION CLIP INSTALLATION
WOOD FRAMING OR 2X BUCK



DETAIL C
MULLION CLIP INSTALLATION
CONCRETE/MASONRY

BOVARD STUDIO, INC.
2281 HIGHWAY 34 EAST
FAIRFIELD, IA 52556

1850 ALUMINUM FIXED SHUTTER
49 5/8" x 97 5/8" (SINGLE PANEL)
INSTALLATION DETAILS

DRAWN: R.L.
DWG NO. FL 00462
REV -

Luis R. Lomas, P.E.
Florida No. 62514

SCALE NTS DATE 4/30/08 SHEET 4 OF 4