

ALUMINUM FIXED SHUTTER
EXTERIOR VIEW

DESIGN PRESSURE RATING	IMPACT RATING
±75PSF	LARGE AND SMALL MISSILE IMPACT

TABLE OF CONTENTS

SHEET NO.	DESCRIPTION
1	ELEVATION AND GENERAL NOTES
2	CROSS SECTIONS AND COMPONENTS
3 - 4	INSTALLATION DETAILS

REVISIONS

REV	DESCRIPTION	DATE	APPROVED

- NOTES:
- 1) THE PRODUCT SHOWN HEREIN IS DESIGNED AND MANUFACTURED TO COMPLY WITH THE CURRENT FLORIDA BUILDING CODE INCLUDING THE HVHZ.
 - 2) WOOD FRAMING, METAL FRAMING AND MASONRY OPENING TO BE DESIGNED AND ANCHORED TO PROPERLY TRANSFER ALL LOADS TO STRUCTURE. FRAMING AND MASONRY OPENING IS THE RESPONSIBILITY OF THE ARCHITECT OR ENGINEER OF RECORD.
 - 3) CONTRACTOR IS RESPONSIBLE FOR MAINTAINING STRUCTURAL INTEGRITY OF OPENING.
 - 4) APPROVED IMPACT PROTECTIVE SYSTEM IS NOT REQUIRED FOR THIS PRODUCT IN AREAS WHERE WIND BORNE DEBRIS PROTECTION IS REQUIRED.
 - 5) UNITS MUST BE GLAZED WITH 3/8" LEXAN. SEE GLAZING DETAIL.
 - 6) FOR ANCHORING INTO WOOD FRAMING OR 2X BUCK USE #10 WOOD SCREW WITH SUFFICIENT LENGTH TO ACHIEVE A 1 3/8" MINIMUM EMBEDMENT INTO SUBSTRATE. LOCATE ANCHORS AS SHOWN IN ELEVATIONS AND INSTALLATION DETAILS.
 - 7) FOR ANCHORING INTO MASONRY USE 3/16" T/W TAPCONS WITH SUFFICIENT LENGTH TO ACHIEVE A 1 1/4" MINIMUM EMBEDMENT INTO SUBSTRATE WITH 2 1/2" MINIMUM EDGE DISTANCE. LOCATE ANCHORS AS SHOWN IN ELEVATIONS AND INSTALLATION DETAILS.
 - 8) ALL FASTENERS TO BE CORROSION RESISTANT.
 - 9) INSTALLATION ANCHORS SHALL BE INSTALLED IN ACCORDANCE WITH ANCHOR MANUFACTURER'S INSTALLATION INSTRUCTIONS. AND ANCHORS SHALL NOT BE USED IN SUBSTRATES WITH STRENGTHS LESS THAN THE MINIMUM STRENGTH SPECIFIED BELOW:
 - A. WOOD - MINIMUM SPECIFIC GRAVITY OF G=0.42
 - B. CONCRETE - MINIMUM COMPRESSIVE STRENGTH OF 3,200 PSI.
 - C. MASONRY - STRENGTH CONFORMANCE TO ASTM C-90, GRADE N, TYPE 1 (OR GREATER).
 - 10) ALLOWABLE STRESS INCREASE OF 1/3 WAS NOT USED IN THE DESIGN OF THE PRODUCT SHOWN HEREIN. WIND LOAD DURATION FACTOR CD=1.6 WAS USED FOR WOOD ANCHOR CALCULATIONS.
 - 11) MAIN FRAME AND SUBFRAME MATERIAL: ALUMINUM 6063-T52
 - 12) PANELS MAY BE MULLED INDEFINITELY AS LONG AS PANEL SIZE AS SHOWN IS NOT EXCEEDED AND ANCHORED AS SHOWN IN THIS DOCUMENT.

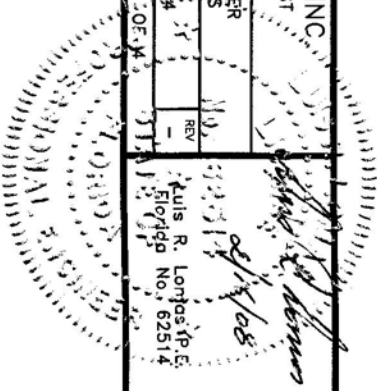
BOVARD STUDIO, INC.
2281 HIGHWAY 34 EAST
FAIRFIELD, IA 52556

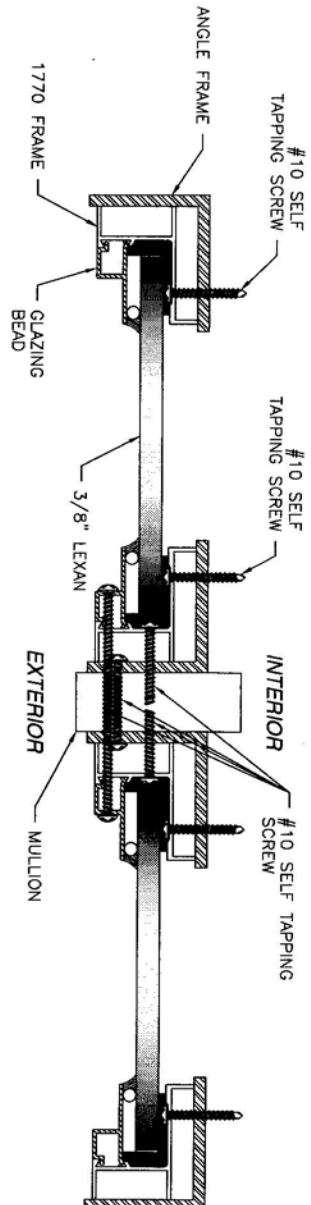
ALUMINUM FIXED SHUTTER
ELEVATIONS AND NOTES

DRAWN:	DWG NO.	REV
R.L.	FL 0040#	-

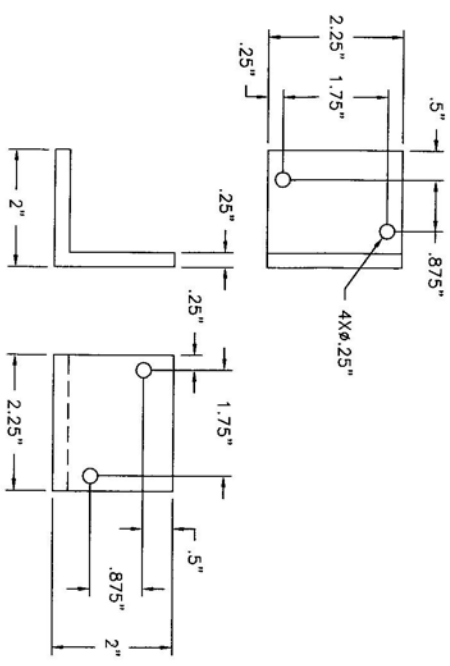
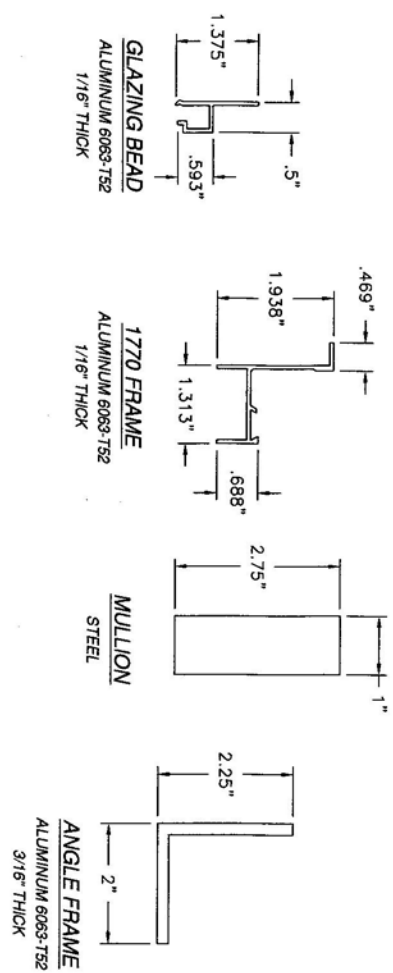
SCALE NTS DATE 2/13/08 SHEET 1 OF 4

Luis R. Longas Jr. E.
Florida No. 62514

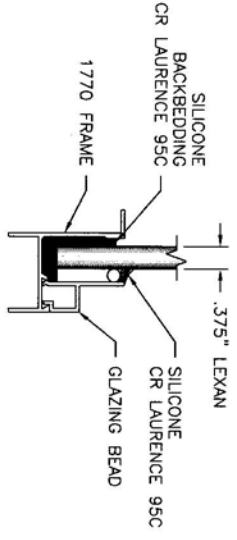




SECTION A-A
 HORIZONTAL SECTION SHOWN
 VERTICAL SECTION SIMILAR



MULLION CLIP
 ALUMINUM 6063-T52
 1/4" THICK



GLAZING DETAIL

REVISIONS			
REV	DESCRIPTION	DATE	APPROVED

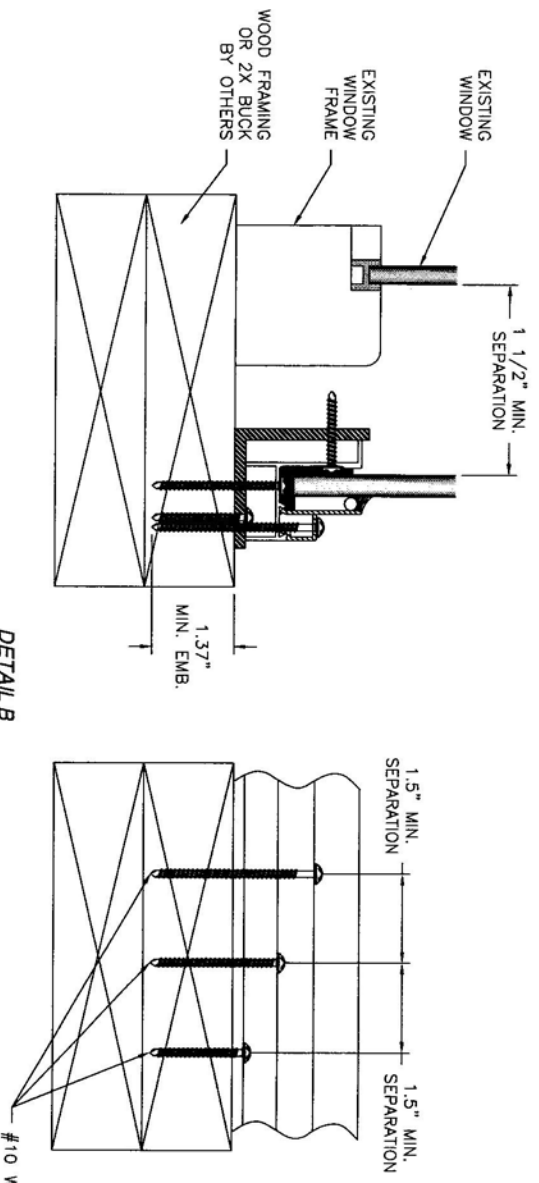
BOYARD STUDIO, INC.
 2281 HIGHWAY 34 EAST
 FAIRFIELD, IA 52556

ALUMINUM FIXED SHUTTER
 CROSS SECTION AND COMPONENTS

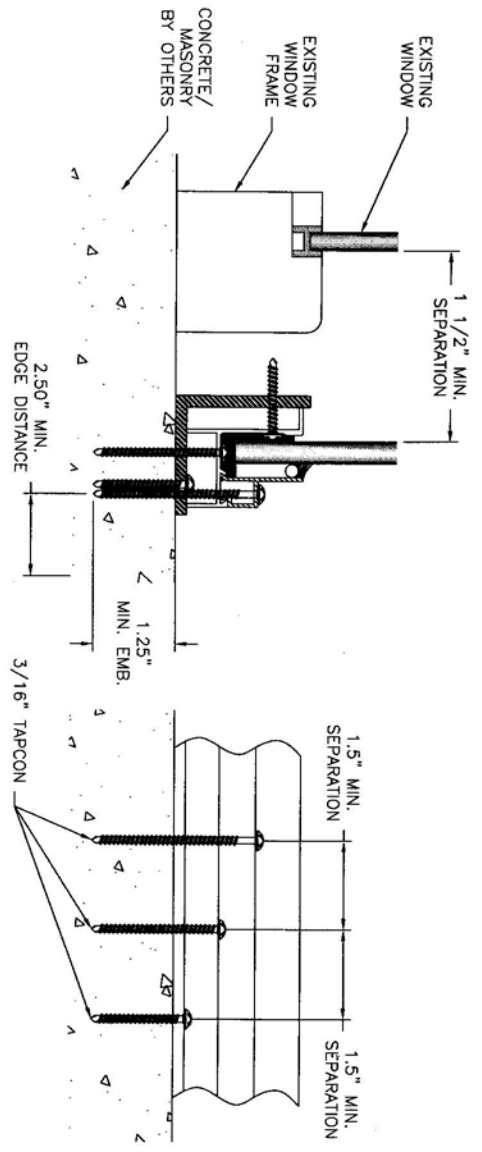
DRAWN: R.L.	DWG NO. FL 00404	REV
SCALE NTS	DATE 2/13/08	SHEET 2 of 4

Edis R. Lomas P.E.
 Fairfield, MO. 62514

REVISIONS			
REV	DESCRIPTION	DATE	APPROVED



DETAIL B
PERIMETER ANCHOR INSTALLATION
WOOD FRAMING OR 2X BUCK



DETAIL B
PERIMETER ANCHOR INSTALLATION
CONCRETE/MASONRY

BOYARD STUDIO, INC.
2281 HIGHWAY 34 EAST
FAIRFIELD, IA 52556

ALUMINUM FIXED SHUTTER
INSTALLATION DETAILS

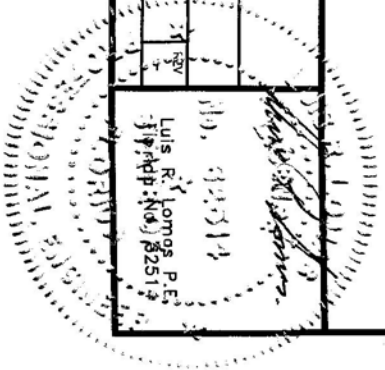
DWG NO. FL 00404

DATE: 2/13/08

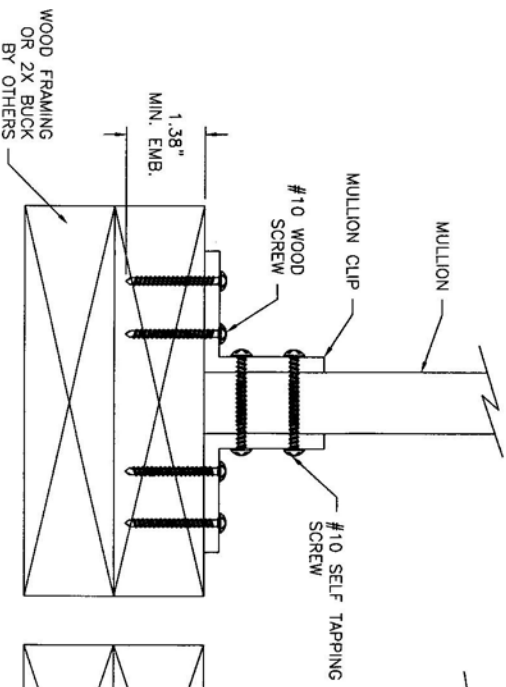
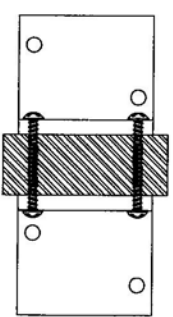
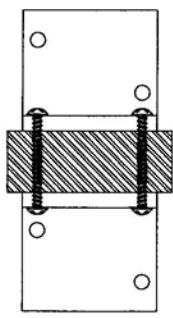
SHEET 3 OF 4

SCALE NTS

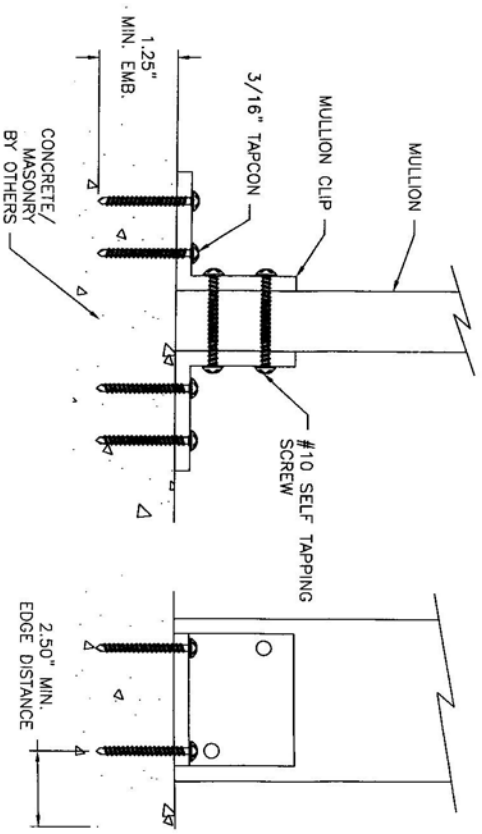
Luis R. Lomog, P.E.
Professional Engineer
No. 82513



REVISIONS			
REV	DESCRIPTION	DATE	APPROVED



DETAIL C
MULLION CLIP INSTALLATION
WOOD FRAMING OR 2X BUCK



DETAIL C
MULLION CLIP INSTALLATION
CONCRETE/MASONRY

BOYARD STUDIO, INC.
2281 HIGHWAY 34 EAST
FAIRFIELD, IA 52556

ALUMINUM FIXED SHUTTER
INSTALLATION DETAILS

DRAWN: R.L.	DWG NO. FL 00404	REV
SCALE NTS	DATE 2/13/08	SHEET 4 OF 41

Edis R. Lomas P.E.
Fairfield, Mo. 62514

