

CP55W FIXED WINDOW
 UP TO 48" X 84"
 EXTERIOR VIEW
 FLANGE INSTALLATION

CP55W FIXED WINDOW
 UP TO 48" X 84"
 EXTERIOR VIEW
 FIN INSTALLATION

DESIGN PRESSURE RATING	IMPACT RATING
± 50.0 PSF	NONE

NOTES:

- 1) THE PRODUCT SHOWN HEREIN IS DESIGNED AND MANUFACTURED TO COMPLY WITH THE 2004 FLORIDA BUILDING CODE.
- 2) WOOD FRAMING AND MASONRY OPENING TO BE DESIGNED AND ANCHORED TO PROPERLY TRANSFER ALL LOADS TO STRUCTURE. FRAMING AND MASONRY OPENING IS THE RESPONSIBILITY OF THE ARCHITECT OR ENGINEER OF RECORD. FRAME AND SASH MATERIAL: WHITE RIDGE PVC
- 3) APPROVED IMPACT PROTECTIVE SYSTEM IS REQUIRED ON THIS PRODUCT.
- 4) UNITS MUST BE GLAZED PER ASTM E1300.
- 5) ALL FASTENERS TO BE CORROSION RESISTANT.
- 6) SHIM AS REQUIRED AT EACH INSTALLATION ANCHOR WITH LOAD BEARING SHIM. SHIM WHERE SPACE OF 1/16" OR GREATER OCCURS. MAXIMUM ALLOWABLE SHIM STACK TO BE 1/4".
- 7) FOR FIN INSTALLATION INTO WOOD FRAMING OR 2X BUCK USE #8 TRUSS HEAD WOOD SCREW OF SUFFICIENT LENGTH TO ACHIEVE A 1 1/2" MINIMUM EMBEDMENT INTO SUBSTRATE. LOCATE ANCHORS AS SHOWN IN ELEVATION DETAILS.
- 8) FOR FLANGE INSTALLATION INTO WOOD FRAMING OR 2X BUCK USE #10 TRUSS HEAD WOOD SCREW OF SUFFICIENT LENGTH TO ACHIEVE A 1 3/8" MINIMUM EMBEDMENT INTO SUBSTRATE. LOCATE ANCHORS AS SHOWN IN ELEVATION DETAILS.
- 9) FOR ANCHORING INTO MASONRY USE 3/16" TW TAPCONS WITH SUFFICIENT LENGTH TO ACHIEVE A 1 1/4" MINIMUM EMBEDMENT INTO SUBSTRATE WITH 2 5/8" MINIMUM EDGE DISTANCE. LOCATE ANCHORS AS SHOWN IN ELEVATIONS AND INSTALLATION DETAILS.
- 10) INSTALLATION ANCHORS SHALL BE INSTALLED IN ACCORDANCE WITH ANCHOR MANUFACTURER'S INSTALLATION INSTRUCTIONS, AND ANCHORS SHALL NOT BE USED IN SUBSTRATES WITH STRENGTHS LESS THAN THE MINIMUM STRENGTH SPECIFIED BELOW:
 A. WOOD - MINIMUM SPECIFIC GRAVITY OF G=0.42
 B. CONCRETE - MINIMUM COMPRESSIVE STRENGTH OF 3,200 PSI.
 C. MASONRY - STRENGTH CONFORMANCE TO ASTM C-90, GRADE N, TYPE 1 (OR GREATER).
- 11) UNITS MUST BE SEALED AROUND PERIMETER, BEHIND 1X BUCK AND BEHIND NAILING FIN.
- 12) ALLOWABLE STRESS INCREASE OF 1/3 WAS NOT USED IN THE DESIGN OF THE PRODUCT SHOWN HEREIN. WIND LOAD DURATION FACTOR Cd=1.6 WAS USED FOR WOOD ANCHOR CALCULATIONS.

TABLE OF CONTENTS

SHEET NO.	DESCRIPTION
1	ELEVATION, ANCHORING AND GENERAL NOTES
2	INSTALLATION DETAILS

VISTA WINDOW COMPANY (C.I.)
 3850 ELM ROAD
 WARREN, OH 44483

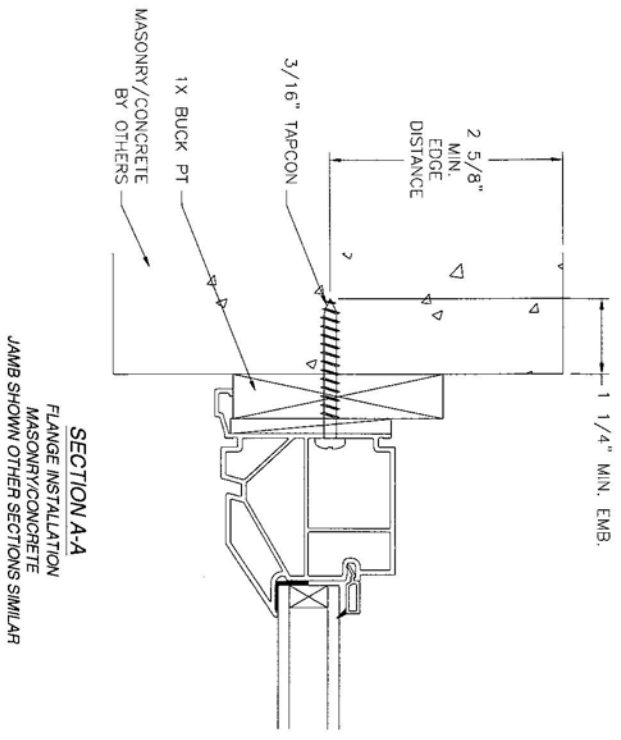
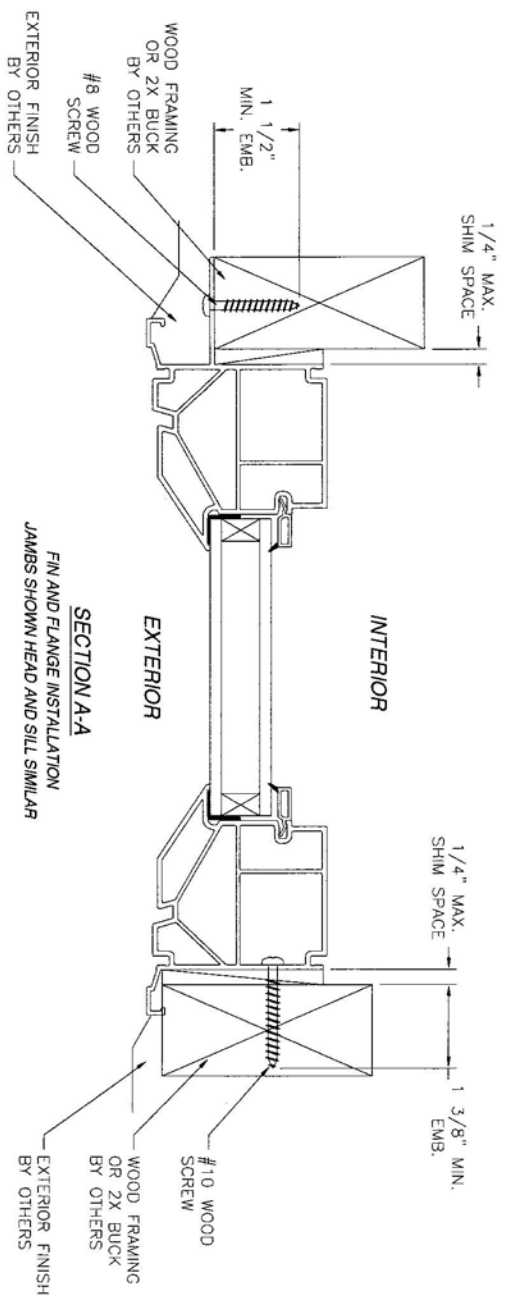
CP55W PVC CASEMENT PICTURE WINDOW (48" x 84")
 NON-IMPACT ELEVATION AND GENERAL NOTES

SCALE	N.T.S.	DATE	11/26/07	SHEET	1 OF 2
-------	--------	------	----------	-------	--------

DRAWN: [Signature]
 R.L.
 DWG NO. FL 00323
 REV: [Signature]
 LUIS R. LOMOS
 Florida No. 62554

REV	DESCRIPTION	DATE	APPROVED

REVISIONS			
REV	DESCRIPTION	DATE	APPROVED



VISTA WINDOW COMPANY (C.O.)
 3850 ELM ROAD
 WARREN, OH 44483

CP55W PVC CASEMENT PICTURE WINDOW (48"x84")
 NON-IMPACT INSTALLATION DETAILS

SCALE NTS DATE 11/26/07 SHEET 2 OF 2

DRAWN R.L. DWG NO. FL 00323

APPROVED
 Luis R. Lomas P.E.
 Florida No. 92514

