



MIAMI-DADE COUNTY
BUILDING CODE COMPLIANCE OFFICE (BCCO)
PRODUCT CONTROL DIVISION

MIAMI-DADE COUNTY, FLORIDA
METRO-DADE FLAGLER BUILDING
140 WEST FLAGLER STREET, SUITE 1603
MIAMI, FLORIDA 33130-1563
 (305) 375-2901 FAX (305) 372-6339

NOTICE OF ACCEPTANCE (NOA)

www.miamidade.gov/buildingcode

QuikServ Corp.
11441 Brittmore Park Drive
Houston, TX 77240

SCOPE:

This NOA is being issued under the applicable rules and regulations governing the use of construction materials. The documentation submitted has been reviewed by Miami-Dade County Product Control Division and accepted by the Board of Rules and Appeals (BORA) to be used in Miami Dade County and other areas where allowed by the Authority Having Jurisdiction (AHJ).

This NOA shall not be valid after the expiration date stated below. The Miami-Dade County Product Control Division (In Miami Dade County) and/or the AHJ (in areas other than Miami Dade County) reserve the right to have this product or material tested for quality assurance purposes. If this product or material fails to perform in the accepted manner, the manufacturer will incur the expense of such testing and the AHJ may immediately revoke, modify, or suspend the use of such product or material within their jurisdiction. BORA reserves the right to revoke this acceptance, if it is determined by Miami-Dade County Product Control Division that this product or material fails to meet the requirements of the applicable building code. This product is approved as described herein, and has been designed to comply with the Florida Building Code, including the High Velocity Hurricane Zone.

DESCRIPTION: Series "Impact Pass-Thru" Aluminum Horizontal Sliding Windows – L. M. I.

APPROVAL DOCUMENT: Drawing No. **08-251**, titled "Commercial Pass-Thru Windows - Large Missile Impact Resistant", sheets 1 through 14 of 14, dated 11/11/08 with revision #1 dated 02/12/09, prepared by Tilteco, Inc., signed and sealed by Walter A. Tillit, P. E., bearing the Miami-Dade County Product Control Approval stamp with the Notice of Acceptance number and Approval date by the Miami-Dade County Product Control Division.

MISSILE IMPACT RATING: Large and Small Missile Impact Resistant

LABELING: Each unit shall bear a permanent label with the manufacturer's name or logo, city, state and following statement: "Miami-Dade County Product Control Approved", unless otherwise noted herein.

RENEWAL of this NOA shall be considered after a renewal application has been filed and there has been no change in the applicable building code negatively affecting the performance of this product.

TERMINATION of this NOA will occur after the expiration date or if there has been a revision or change in the materials, use, and/or manufacture of the product or process. Misuse of this NOA as an endorsement of any product, for sales, advertising or any other purposes shall automatically terminate this NOA. Failure to comply with any section of this NOA shall be cause for termination and removal of NOA.

ADVERTISEMENT: The NOA number preceded by the words Miami-Dade County, Florida, and followed by the expiration date may be displayed in advertising literature. If any portion of the NOA is displayed, then it shall be done in its entirety.

INSPECTION: A copy of this entire NOA shall be provided to the user by the manufacturer or its distributors and shall be available for inspection at the job site at the request of the Building Official. This NOA consists of this page 1 and evidence page E-1, as well as approval document mentioned above. The submitted documentation was reviewed by **Manuel Perez, P. E.**



NOA No. 08-1210.04
Expiration Date: March 25, 2014
Approval Date: March 25, 2009
 Page 1

QuikServ Corp.

NOTICE OF ACCEPTANCE: EVIDENCE SUBMITTED

A. DRAWINGS

1. Manufacturer's die drawings and sections.
2. Drawing No **08-251**, titled "Series Commercial Pass-Thru Windows Large Missile Impact Resistant", sheets 1 through 14 of 14, dated 11/11/08 with revision #1 dated 02/12/09, prepared by Tilteco, Inc., signed and sealed by Walter A. Tillit, P.E.

B. TESTS

1. Test reports on: 1) Air Infiltration Test, per FBC, TAS 202-94
2) Uniform Static Air Pressure Test, Loading per FBC TAS 202-94
3) Water Resistance Test, per FBC, TAS 202-94
4) Large Missile Impact Test per FBC, TAS 201-94
5) Cyclic Wind Pressure Loading per FBC, TAS 203-94
6) Forced Entry Test, per FBC 2411 3.2.1, TAS 202-94

Along with marked-up drawings and installation diagram of Aluminum Horizontal Sliding Window, prepared by Architectural Testing, Inc., Test Report No.

ATI-85482.01-801-18, dated 12/01/08, revision "1", dated 02/16/09, signed and sealed by Joseph A. Reed, P. E.

C. CALCULATIONS

1. Anchor verification calculations and structural analysis, complying with FBC-2007, prepared by Tilteco, Inc., dated 04/24/07, signed and sealed by Walter A. Tillit, P. E.
Complies with ASTM E1300-02

D. QUALITY ASSURANCE

1. Miami Dade Building Code Compliance Office (BCCO).

E. MATERIAL CERTIFICATIONS

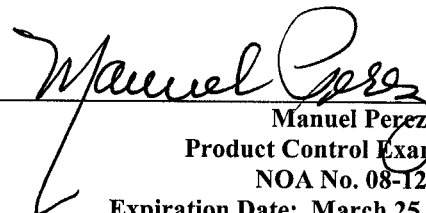
1. Notice of Acceptance No. **08-0520.08** issued to Solutia Inc. for their "**Vanceva Composites Glass Interlayer**" dated 7/17/2008, expiring on 12/11/2013.
2. Material Safety Data Sheet issued by Quadrant Engineering Plastic Products, dated September 11, 2008 and revised by M. Lykins.

F. STATEMENTS

1. Statement letter of conformance, dated 12/2/08, signed and sealed by Walter A. Tillit, P.E.
2. Statement letter of no financial interest, dated 12/2/08, signed and sealed by Walter A. Tillit, P.E.
3. Laboratory compliance letter for Test Report No. **ATI 85482.01-801-18**, issued by Architectural Testing, Inc., dated December 05, 2008, signed and sealed by Joseph A. Reed, P. E.
4. Proposal #**08-0950**, issued by BCCO, dated 07/31/08, signed by Renzo Narciso.

G. OTHERS

1. None.



Manuel Perez, P.E.
Product Control Examiner
NOA No. 08-1210.04

Expiration Date: March 25, 2014
Approval Date: March 25, 2009

GENERAL NOTES:

1. COMMERCIAL PASS-THRU WINDOWS, LARGE MISSILE IMPACT RESISTANT, SHOWN ON THIS PRODUCT APPROVAL DOCUMENT (P.A.D.) HAVE BEEN VERIFIED FOR COMPLIANCE IN ACCORDANCE WITH THE 2007 EDITION OF THE FLORIDA BUILDING CODE.
 COMMERCIAL PASS-THRU WINDOWS, LARGE MISSILE IMPACT RESISTANT, MAY BE INSTALLED AT HIGH VELOCITY HURRICANE ZONES.
 DESIGN WIND LOADS SHALL BE DETERMINED AS PER SECTION 1620 OF THE ABOVE MENTIONED CODE. IN ORDER TO VERIFY THAT ANCHORS ON THIS P.A.D., AS TESTED, WERE NOT OVERSTRESSED, A 33% INCREASE IN ALLOWABLE STRESS FOR WIND LOADS WAS **NOT** USED IN THEIR ANALYSIS. FASTENERS SPACING TO WOOD HAS BEEN DETERMINED IN ACCORDANCE WITH N.D.S. 2005.
 THESE COMMERCIAL PASS-THRU WINDOWS' ADEQUACY FOR IMPACT AND FATIGUE RESISTANCE HAVE BEEN VERIFIED IN ACCORDANCE WITH SECTION 1626 OF THE ABOVE MENTIONED CODE AS PER PROTOCOLS TAS-201, TAS-202, TAS-203 PROTOCOLS, PER A.T.I. LAB REPORT # 85482.01-801-18 AND AS PER SUBMITTED STRUCTURAL CALCULATIONS, PERFORMED AS PER SECTION 1612 OF THE FLORIDA BUILDING CODE.

**2. DESIGN PRESSURE RATING FOR THESE COMMERCIAL PASS-THRU WINDOWS IS:
 + 70, - 80 P.S.F.**

3. THESE COMMERCIAL PASS-THRU WINDOWS WILL NOT REQUIRE A HURRICANE PROTECTION DEVICE.

4. THESE COMMERCIAL PASS-THRU WINDOWS ARE APPROVED FOR AIR AND WATER INFILTRATION.

5. ALL COMPONENTS SHALL BE AS INDICATED ON BILL OF MATERIALS ON SHEET 14 AND COMPONENTS DESCRIPTION ON SHEETS 10, 11 & 12.

6. WOOD BUCKS BY OTHERS, MUST BE ANCHORED PROPERLY TO TRANSFER LOADS TO THE BUILDING STRUCTURE. WOOD BUCKS MUST BE SOUTHERN PINE, G = 0.55.

7. ALL ALUMINUM IN CONTACT WITH DISSIMILAR MATERIALS MUST BE PAINTED PER SECTIONS 2003.8.4.2., 2003.8.4.4, 2003.8.4.5 AND 2003.8.4.6 OF THE FLORIDA BUILDING CODE AS APPLICABLE.

8. ANCHOR NOTES: EMBEDMENT AND EDGE DISTANCE ARE BEYOND ANY FINISH.
 (A) TO EXISTING POURED CONCRETE: (MIN. $f'_c = 3192$ PSI), MIN. EDGE DISTANCE (E.D.) = 2 1/2".
 - 1/4"Ø TAPCON ANCHORS W/ 1 1/4" MIN. EMBEDMENT, AS MANUFACTURED BY ITW/BUILDEX, INC., THRU 1" P.T. WOOD BUCK (IF APPLICABLE).

(B) TO EXISTING A.S.T.M. C-90 CONCRETE BLOCK WALL. MIN. EDGE DISTANCE (E.D.) = 2 1/2".
 - 1/4"Ø TAPCON ANCHORS W/ 1 1/4" MIN. EMBEDMENT, AS MANUFACTURED BY ITW/BUILDEX, INC., THRU 1" P.T. WOOD BUCK (IF APPLICABLE).

(C) TO EXISTING DOUBLE 2x P.T. WOOD BUCK. MIN. EDGE DISTANCE (E.D.) = 1".
 - 1/4"Ø WOOD SCREWS W/ 3" MIN. THREADED PENETRATION, TO COMPLY W/ NDS 2005.

(D) TO EXISTING MIN. 1/8" THICK ALUMINUM TUBE (6063-T5 ALLOY) MIN. EDGE DISTANCE (E.D.) = 1/2".
 - 1/4"Ø TEK SCREWS, AS MANUFACTURED BY ITW/BUILDEX, INC.

(E) TO EXISTING MIN. 18 GAGE STEEL MEMBER (ASTM A-500, A-653 OR A-36) MIN. EDGE DISTANCE (E.D.) = 1/2".
 - 1/4"Ø TEK SCREWS, AS MANUFACTURED BY ITW/BUILDEX, INC.

9. PROVIDE 1/4" MAX. SHIM SPACE.

10. COMMERCIAL PASS-THRU WINDOWS LARGE MISSILE IMPACT RESISTANT MANUFACTURER'S LABEL SHALL BE PLACED ON A READILY VISIBLE LOCATION.
 ONE LABEL SHALL BE PLACED FOR EVERY UNIT. LABEL SHALL READ AS FOLLOWS:
 "PASS-THRU WINDOWS LARGE MISSILE IMPACT RESISTANT"
QUIKSERV CORP.
 HOUSTON, TEXAS.
 MIAMI-DADE COUNTY PRODUCT CONTROL APPROVED.

11. (a) THIS P.A.D. PREPARED BY THIS ENGINEER IS GENERIC AND DOES NOT PROVIDE INFORMATION FOR A SITE SPECIFIC PROJECT; i.e. WHERE THE SITE CONDITIONS DEVIATE FROM THE P.A.D.

(b) CONTRACTOR TO BE RESPONSIBLE FOR THE SELECTION, PURCHASE AND INSTALLATION INCLUDING LIFE SAFETY OF THIS PRODUCT, BASED ON THIS P.A.D., PROVIDED HE/SHE DOES NOT DEVIATE FROM THE CONDITIONS DETAILED ON THIS DOCUMENT. CONSTRUCTION SAFETY AT SITE IS THE CONTRACTOR'S RESPONSIBILITY.

(c) THIS P.A.D. WILL BE CONSIDERED INVALID IF ALTERED BY ANY MEANS.

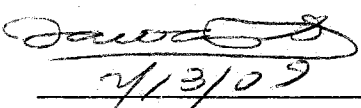

(d) SITE SPECIFIC PROJECTS SHALL BE PREPARED BY A FLORIDA REGISTERED ENGINEER OR ARCHITECT WHICH WILL BECOME THE ENGINEER OF RECORD (E.O.R.) FOR THE PROJECT AND WHO WILL BE RESPONSIBLE FOR THE PROPER USE OF THE P.A.D. ENGINEER OF RECORD, ACTING AS DELEGATED ENGINEER TO THE P.A.D. ENGINEER, SHALL SUBMIT TO THIS LATTER THE SITE SPECIFIC DRAWINGS FOR REVIEW.

(e) ORIGINAL P.A.D. SHALL BEAR THE DATE AND ORIGINAL SEAL AND SIGNATURE OF THE PROFESSIONAL ENGINEER OF RECORD THAT PREPARED IT.

SHEET #	TABLE OF CONTENTS
	DESCRIPTION
1	GENERAL NOTES
2	IMPACT WINDOWS EXTERIOR ELEVATIONS
3	SS-4035E-IP WINDOW TYPE 1 (XO)
4	SC-4030-IP WINDOW TYPE 2 (XO)
5	SC-3030-IP WINDOW TYPE 3 (XO)
6	GLAZING DETAILS
7	DOOR - HEADER & SILL CONNECTIONS
8	ANCHOR INSTALLATION / LAYOUT
9	ANCHOR SCHEDULE
10	STEEL ASSEMBLY COMPONENTS
11	ALUMINUM EXTRUSIONS COMPONENTS
12	ASSEMBLY COMPONENTS (CONTINUED)
13	SASH INSTALLATION DETAILS
14	BILL OF MATERIALS

Approved as complying with the Florida Building Code
 Date 03/25/2009
 NOA# 08-1210.04
 Miami Dade Product Control Division
 By [Signature]
 MIAMI DADE COUNTY

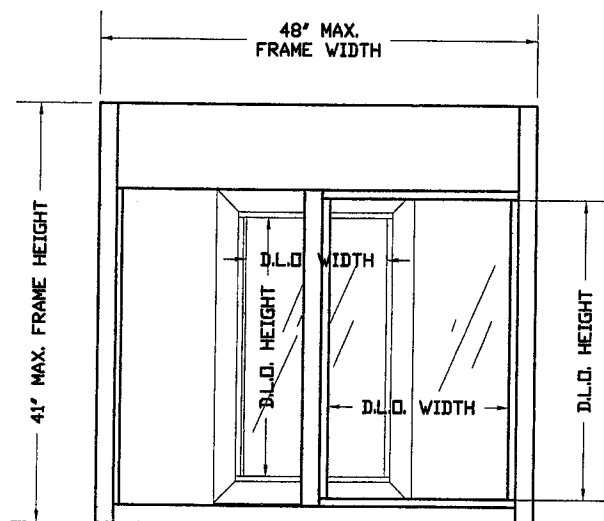
F.B.C. (HIGH VELOCITY HURRICANE ZONE)

 P.E. SEAL/SIGNATURE/DATE	© 2008 TILTECO INC.  TILLIT TESTING & ENGINEERING COMPANY 6355 N.W. 36th St., Ste. 305, VIRGINIA GARDENS, FL 33168 Phone : (305)871-1530 . Fax : (305)871-1531 EB-0006719 WALTER A. TILLIT Jr. P.E. FLORIDA Lic. # 44167	COMMERCIAL PASS-THRU WINDOWS LARGE MISSILE IMPACT RESISTANT	DRAWN BY F.P./M.C.V.																		
		QUIKSERV CORP. 11441 BRITTMORE PARK DRIVE, HOUSTON, TEXAS 77041 PHONE: (713) 937-3437 FAX: (713) 937-9765	11/11/08 DATE 08-251 DRAWING No																		
<table border="1"> <thead> <tr> <th>REV. No</th> <th>DESCRIPTION</th> <th>DATE</th> <th>REV. No</th> <th>DESCRIPTION</th> <th>DATE</th> </tr> </thead> <tbody> <tr> <td>1</td> <td>GENERAL</td> <td>2/12/08</td> <td>3</td> <td>-</td> <td>-</td> </tr> <tr> <td>2</td> <td>-</td> <td>-</td> <td>4</td> <td>-</td> <td>-</td> </tr> </tbody> </table>		REV. No	DESCRIPTION	DATE	REV. No	DESCRIPTION	DATE	1	GENERAL	2/12/08	3	-	-	2	-	-	4	-	-	SHEET 1 OF 14	
REV. No	DESCRIPTION	DATE	REV. No	DESCRIPTION	DATE																
1	GENERAL	2/12/08	3	-	-																
2	-	-	4	-	-																

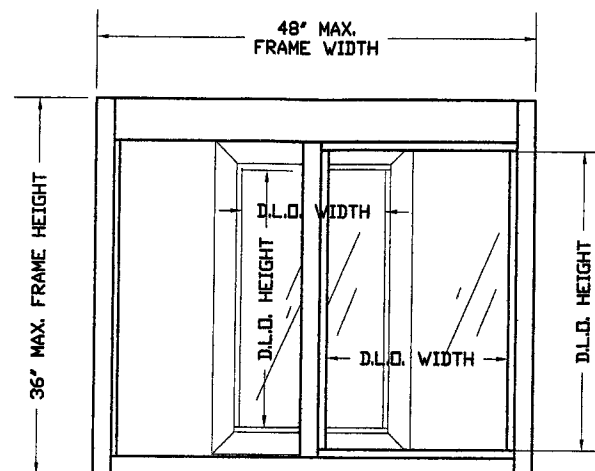
COMMERCIAL PASS-THRU WINDOWS

LARGE MISSILE IMPACT RESISTANT

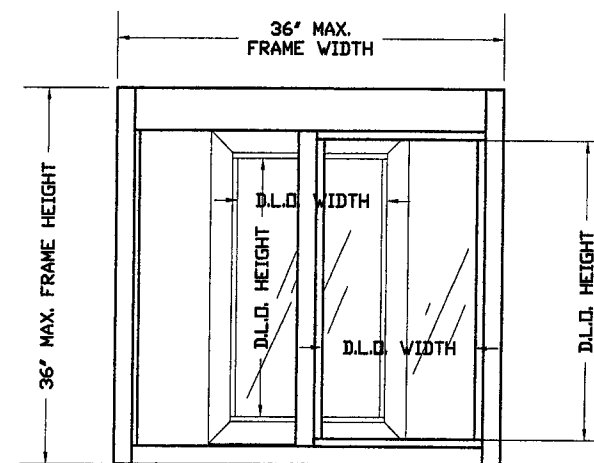
EXTERIOR ELEVATIONS



SS-4035E-IP
WINDOW TYPE 1 (XO)
N.T.S.



SC-4030-IP
WINDOW TYPE 2 (XO)
N.T.S.



SC-3030-IP
WINDOW TYPE 3 (XO)
N.T.S.

MODEL	WINDOW TYPE	ACTUAL FRAME MAX. DIMENSION	MAX. D.L.O. DIMENSIONS	GLAZING TYPE
SS-4035E-IP	1	48"(W) X 41"(H)	(X) 16-3/4"(W) X 24"(H) (O) 19-1/2"(W) X 28"(H)	SEE PAGE 6 OF 14
SC-4030-IP	2	48"(W) X 36"(H)	(X) 16-3/4"(W) X 24"(H) (O) 19-1/2"(W) X 28"(H)	
SC-3030-IP	3	36"(W) X 36"(H)	(X) 11"(W) X 24"(H) (O) 15-1/2"(W) X 28"(H)	

Approved as complying with the
Florida Building Code
Date 03/25/2009
NOA# 08-12/0.04
Miami Dade Product Control
Division
By [Signature]
MIAMI DADE COUNTY

F.B.C. (HIGH VELOCITY HURRICANE ZONE)

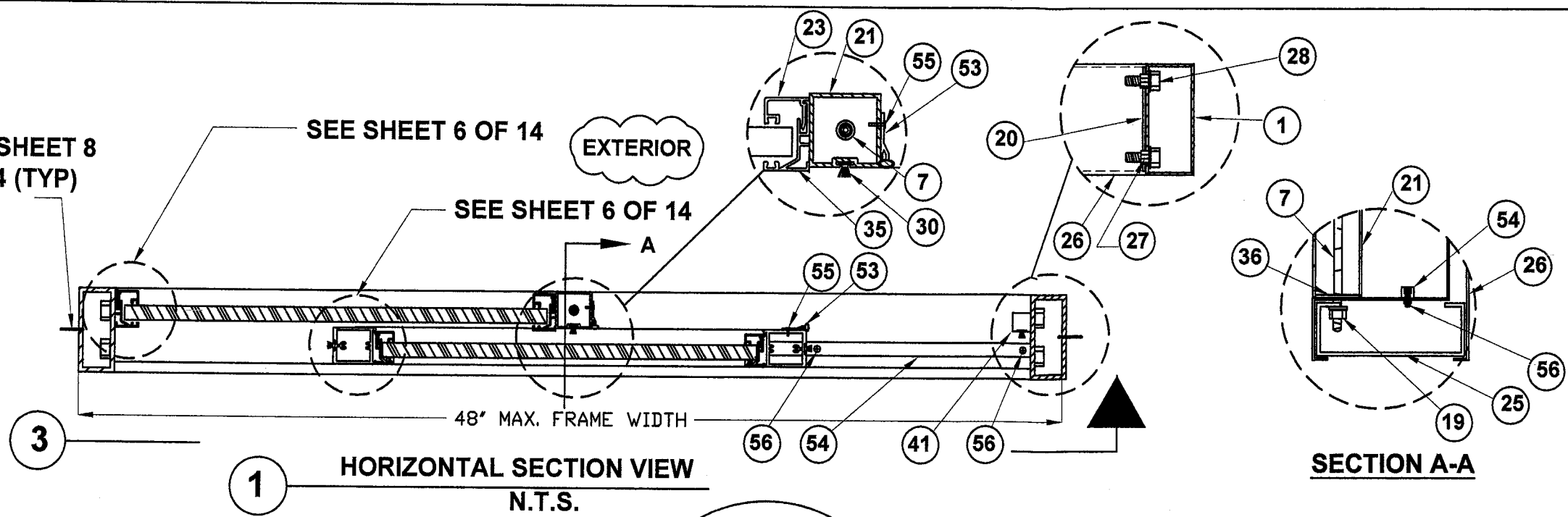
 2/13/09 P.E. SEAL/SIGNATURE/DATE	© 2008 TILTECO INC. TILLIT TESTING & ENGINEERING COMPANY 6355 N.W. 36th St., Ste. 305, VIRGINIA GARDENS, FL 33186 Phone: (305)871-1530 Fax: (305)871-1531 EB-0006719 WALTER A. TILLIT Jr., P.E. FLORIDA Lic. # 44167	COMMERCIAL PASS-THRU WINDOWS LARGE MISSILE IMPACT RESISTANT QUIKSERV CORP. 11441 BRITTMORE PARK DRIVE, HOUSTON, TEXAS 77041 PHONE: (713) 937-3437 FAX: (713) 937-9785	DRAWN BY F.P./M.C.V. 11/11/08 DATE 08-251 DRAWING No																
		<table border="1" style="width: 100%; font-size: small;"> <tr> <th>REV. No</th> <th>DESCRIPTION</th> <th>DATE</th> <th>REV. No</th> <th>DESCRIPTION</th> <th>DATE</th> </tr> <tr> <td>1</td> <td>-</td> <td>-</td> <td>3</td> <td>-</td> <td>-</td> </tr> <tr> <td>2</td> <td>-</td> <td>-</td> <td>4</td> <td>-</td> <td>-</td> </tr> </table>	REV. No	DESCRIPTION	DATE	REV. No	DESCRIPTION	DATE	1	-	-	3	-	-	2	-	-	4	-
REV. No	DESCRIPTION	DATE	REV. No	DESCRIPTION	DATE														
1	-	-	3	-	-														
2	-	-	4	-	-														

SEE SHEET 8 OF 14 (TYP)

SEE SHEET 6 OF 14

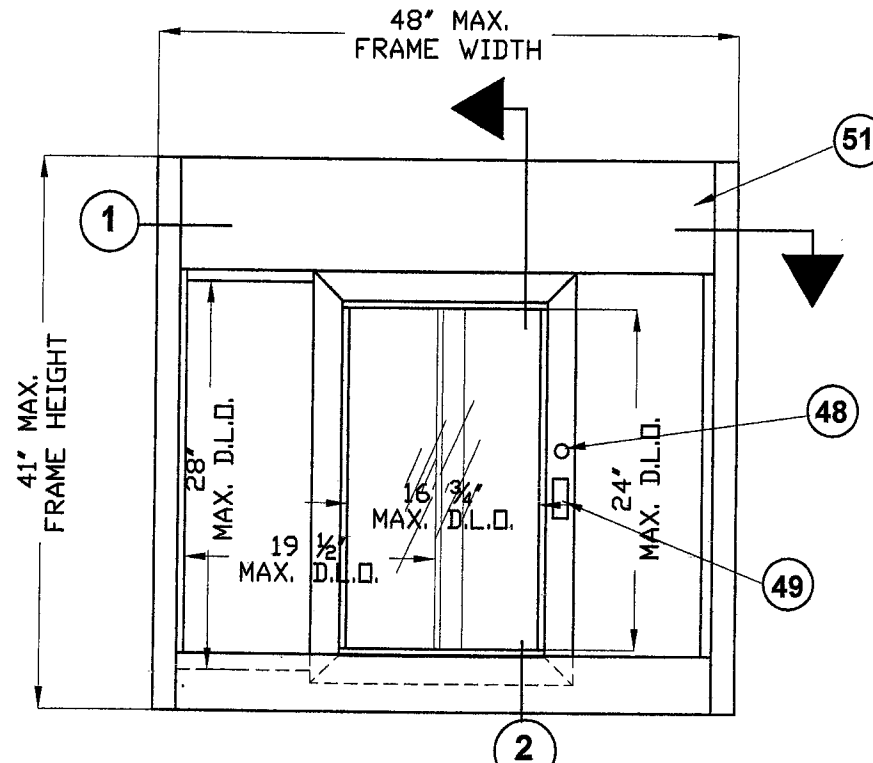
SEE SHEET 6 OF 14

EXTERIOR



SEE SHEET 6 OF 14

48' MAX. FRAME WIDTH

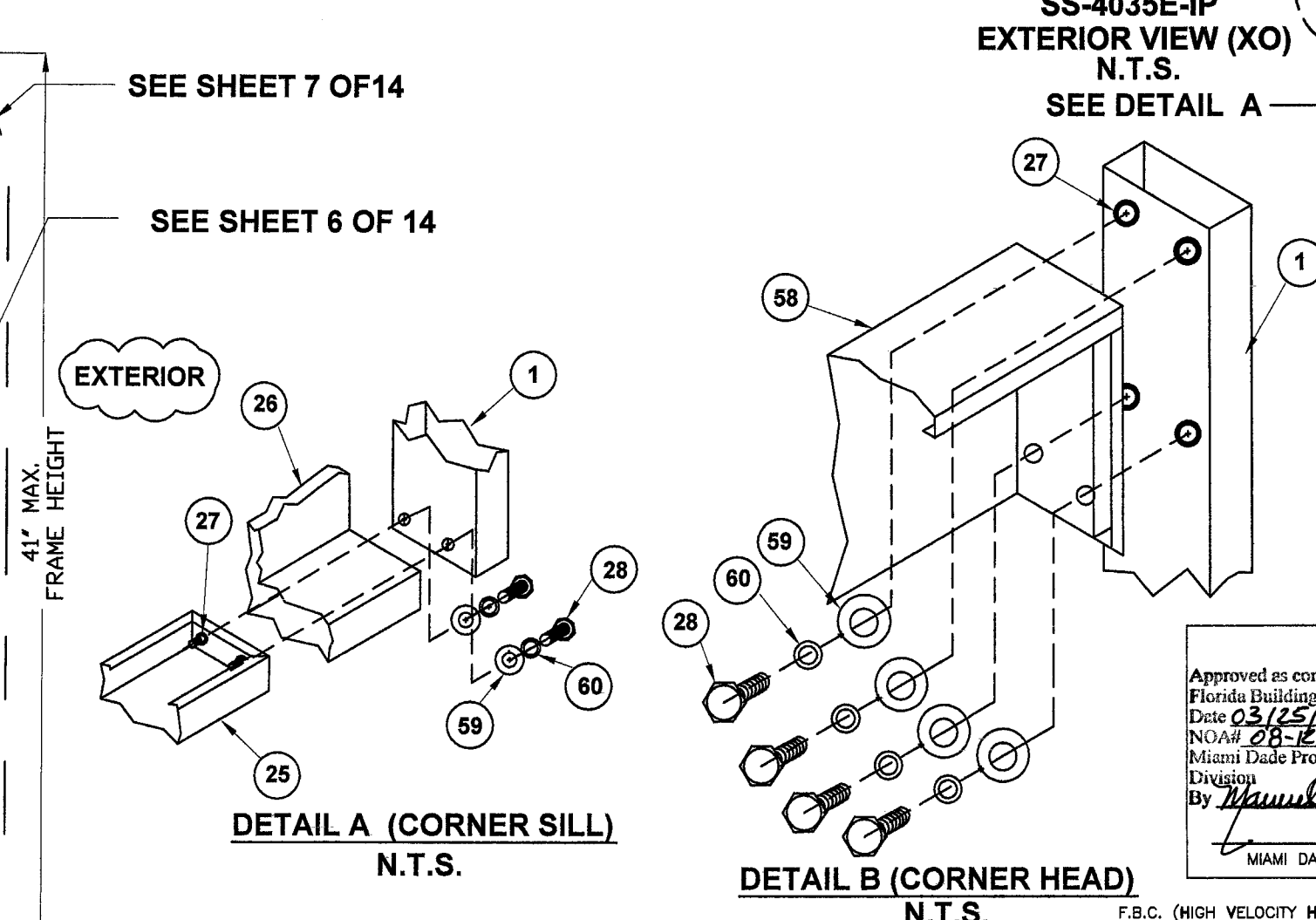


WINDOW TYPE 1 (XO)
SS-4035E-IP

SEE SHEET 7 OF 14

SEE SHEET 6 OF 14

EXTERIOR



2

VERTICAL SECTION
VIEW
N.T.S.

Approved as complying with the Florida Building Code
Date 03/25/2009
NOAH 08-1210.04
Miami Dade Product Control Division
By *Manuel Perez*
MIAMI DADE COUNTY

F.B.C. (HIGH VELOCITY HURRICANE ZONE)

 P.E. SEAL/SIGNATURE/DATE 2/13/09		© 2008 TILTECO INC. TILTECO INC. TILLIT TESTING & ENGINEERING COMPANY 6355 N.W. 38th St., Ste. 305, VIRGINIA GARDENS, FL 33168 Phone : (305)871-1530 Fax : (305)871-1531 EB-0006719 WALTER A. TILLIT Jr. P.E. FLORIDA Lic. # 44167	COMMERCIAL PASS-THRU WINDOWS LARGE MISSILE IMPACT RESISTANT QUIKSERV CORP. 11441 BRITTMORE PARK DRIVE, HOUSTON, TEXAS 77041 PHONE: (713) 937-3437 FAX: (713) 937-9785	DRAWN BY F.P./M.C.V. 11/11/08 DATE 08-251 DRAWING No SHEET 3 OF 14	
REV. No	DESCRIPTION	DATE	REV. No	DESCRIPTION	DATE
1	GENERAL	2/12/09	3	-	-
2	-	-	4	-	-

SEE SHEET 8 OF 14 (TYP)

SEE SHEET 6 OF 14

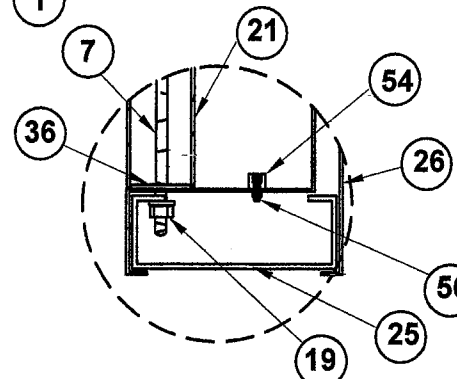
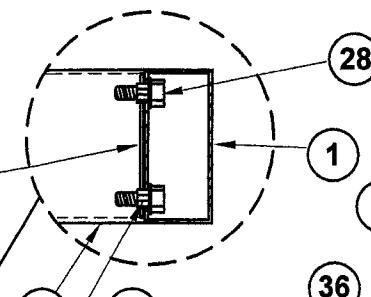
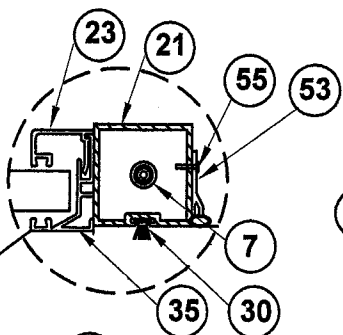
EXTERIOR

SEE SHEET 6 OF 14

48' MAX. FRAME WIDTH

3

1 HORIZONTAL SECTION VIEW
N.T.S.

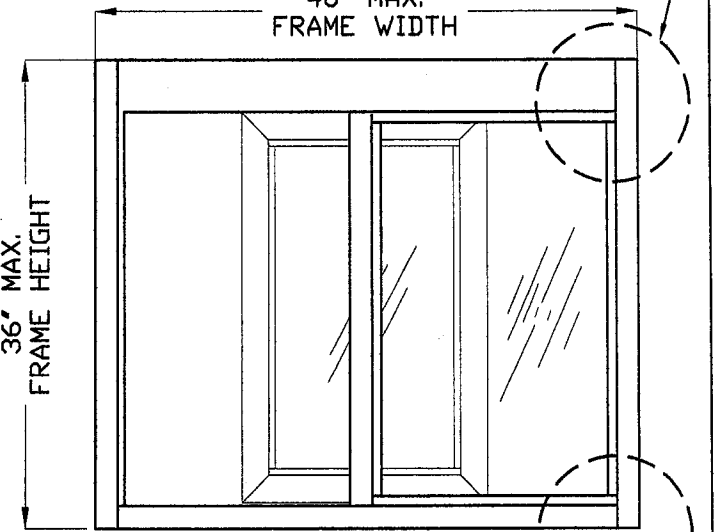


SECTION A-A

36' MAX. FRAME HEIGHT

SEE DETAIL C

48' MAX. FRAME WIDTH



SC-4030-IP
EXTERIOR VIEW (XO)
N.T.S.

SEE DETAIL A

SEE SHEET 6 OF 14

48' MAX. FRAME WIDTH

36' MAX. FRAME HEIGHT

1

28" MAX. D.L.O.

16 3/4" MAX. D.L.O.

19 1/2" MAX. D.L.O.

24" MAX. D.L.O.

50

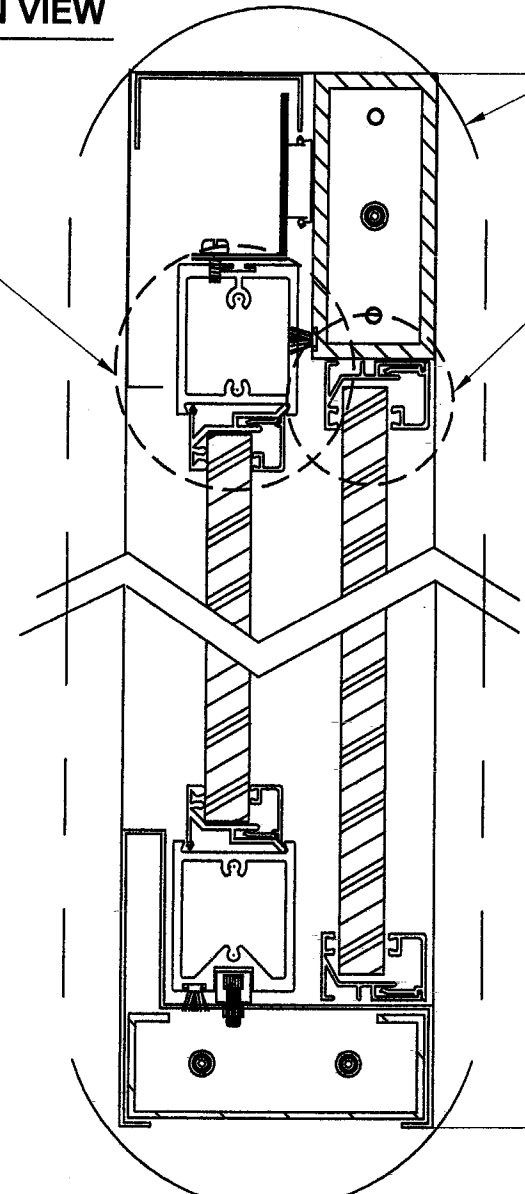
48

49

2

3 INTERIOR VIEW
N.T.S.

WINDOW TYPE 2 (XO)
SC-4030-IP

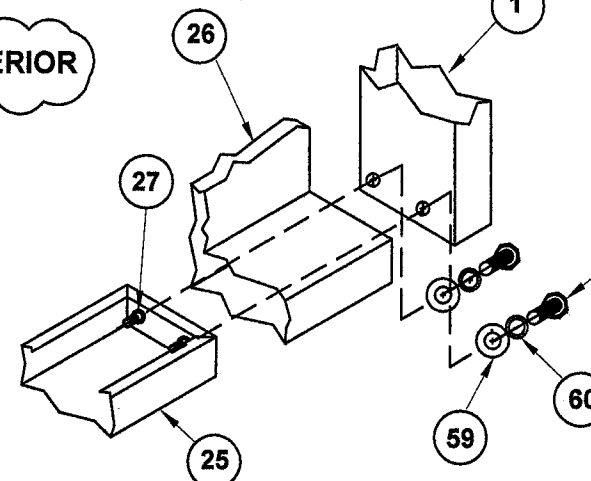


2 VERTICAL SECTION VIEW
N.T.S.

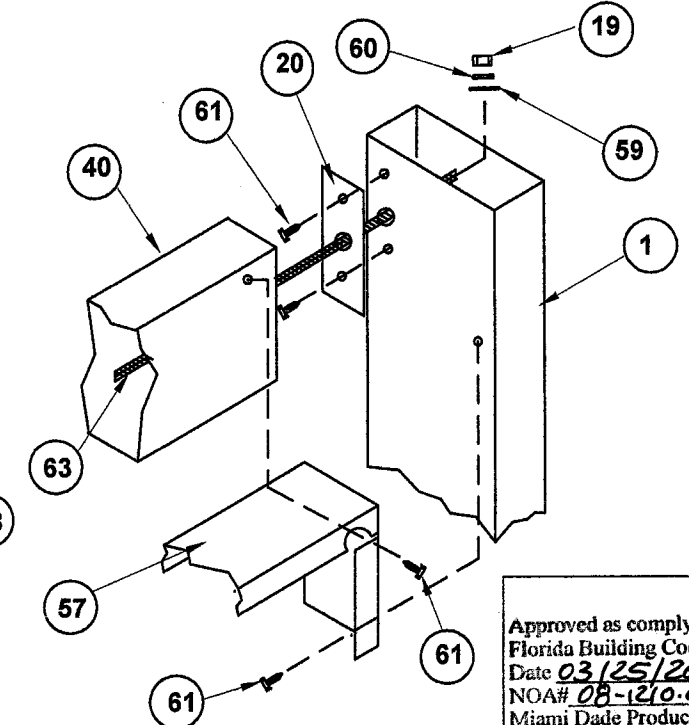
SEE SHEET 7 OF 14

SEE SHEET 6 OF 14

EXTERIOR



DETAIL A (CORNER SILL)
N.T.S.



DETAIL C (CORNER HEAD)
N.T.S.

Approved as complying with the Florida Building Code
Date 03/25/2009
NOA# 08-1210-04
Miami Dade Product Control Division
By *Manuel P...*
MIAMI DADE COUNTY

F.B.C. (HIGH VELOCITY HURRICANE ZONE)

 4/13/09 P.E. SEAL/SIGNATURE/DATE		© 2008 TILTECO INC.		COMMERCIAL PASS-THRU WINDOWS LARGE MISSILE IMPACT RESISTANT		DRAWN BY F.P./M.C.V.	
		 TILLIT TESTING & ENGINEERING COMPANY 6355 N.W. 36th St., Ste. 305, VIRGINIA GARDENS, FL 33168 Phone: (305)871-1530, Fax: (305)871-1531 EB-0006719 WALTER A. TILLIT Jr. P.E. FLORIDA Lic. # 44167		QUIKSERV CORP. 11441 BRITTMORE PARK DRIVE, HOUSTON, TEXAS 77041 PHONE: (713) 937-3437 FAX: (713) 937-9765		11/11/08 DATE	
				1 GENERAL 2/12/09 3 - - 2 - - - 4 - -		08-251 DRAWING No	
						SHEET 4 OF 14	

SEE SHEET 8 OF 14 (TYP)

SEE SHEET 6 OF 14

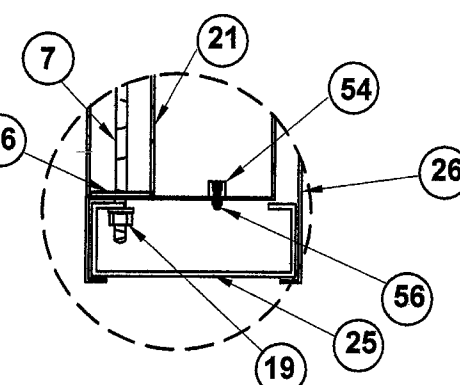
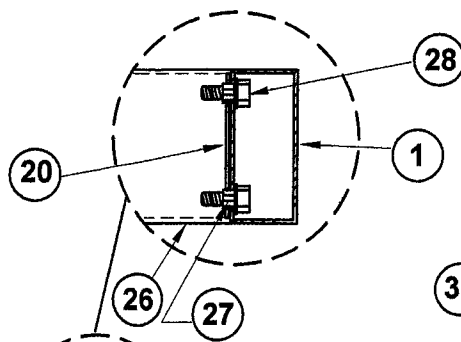
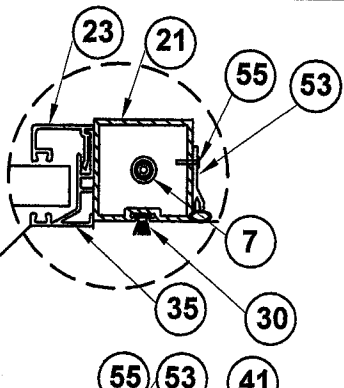
EXTERIOR

SEE SHEET 6 OF 14

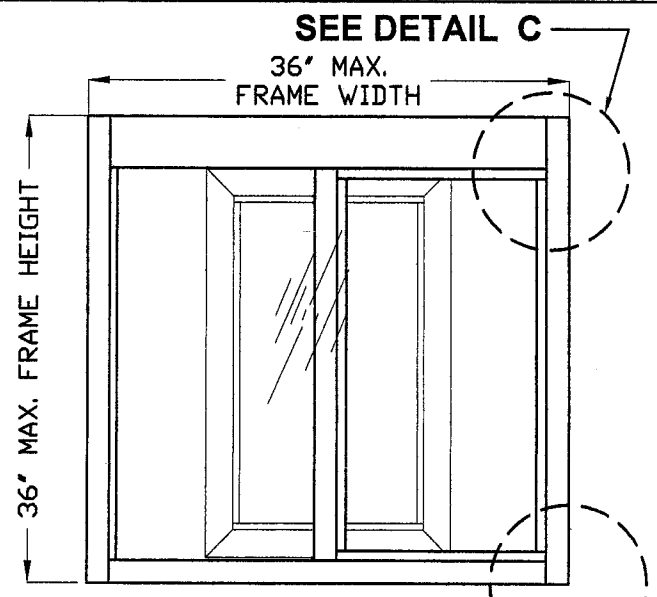
36' MAX. FRAME WIDTH

3

1 HORIZONTAL SECTION VIEW
N.T.S.



SECTION A-A



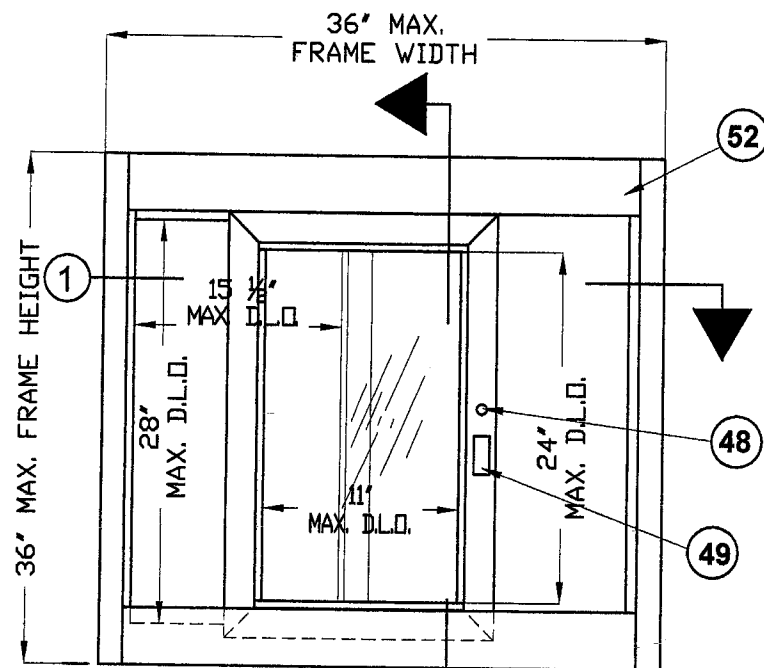
SC-3030-IP
EXTERIOR VIEW (XO)
N.T.S.

SEE DETAIL A

SEE SHEET 6 OF 14

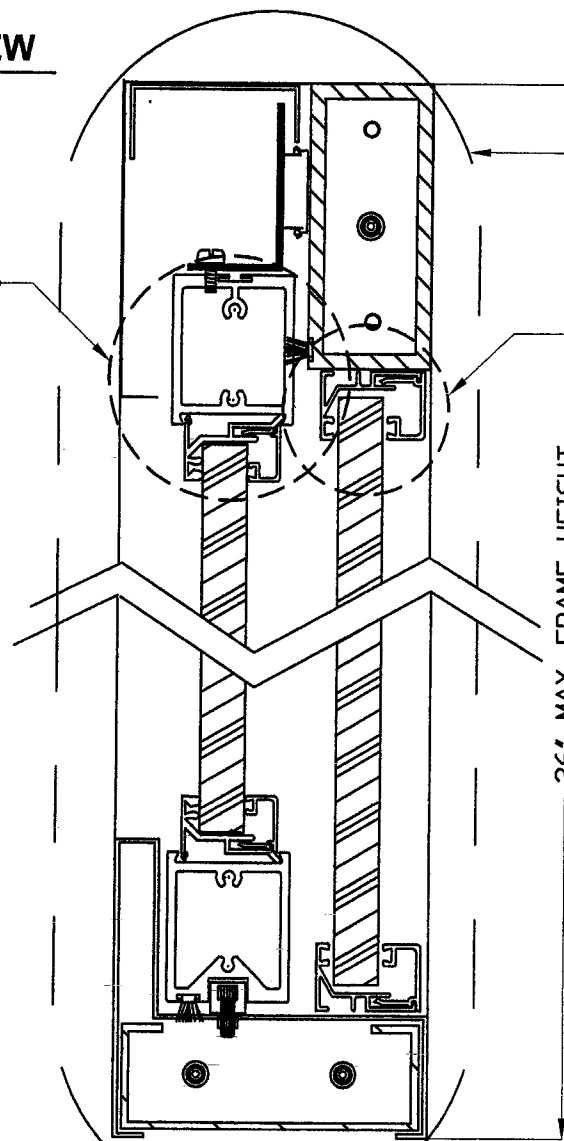
SEE SHEET 7 OF 14

SEE SHEET 6 OF 14



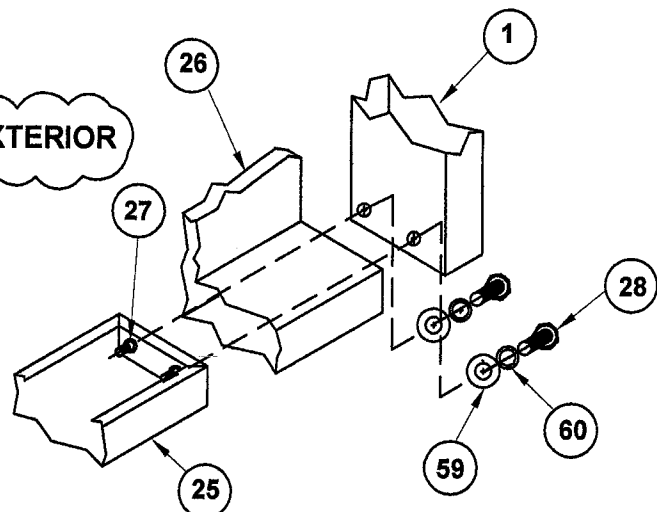
3 INTERIOR VIEW
N.T.S.

WINDOW TYPE 3 (XO)
SC-3030-IP

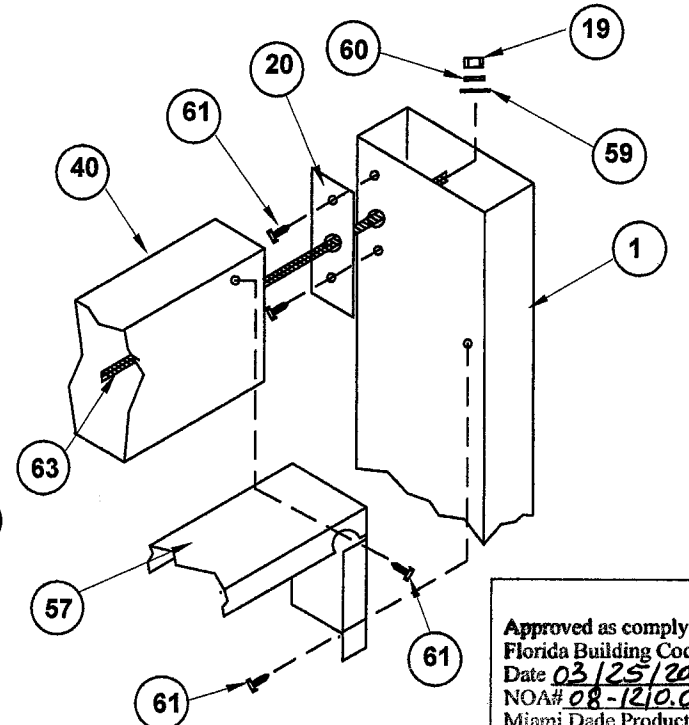


2 VERTICAL SECTION
VIEW N.T.S.

EXTERIOR



DETAIL A (CORNER SILL)
N.T.S.

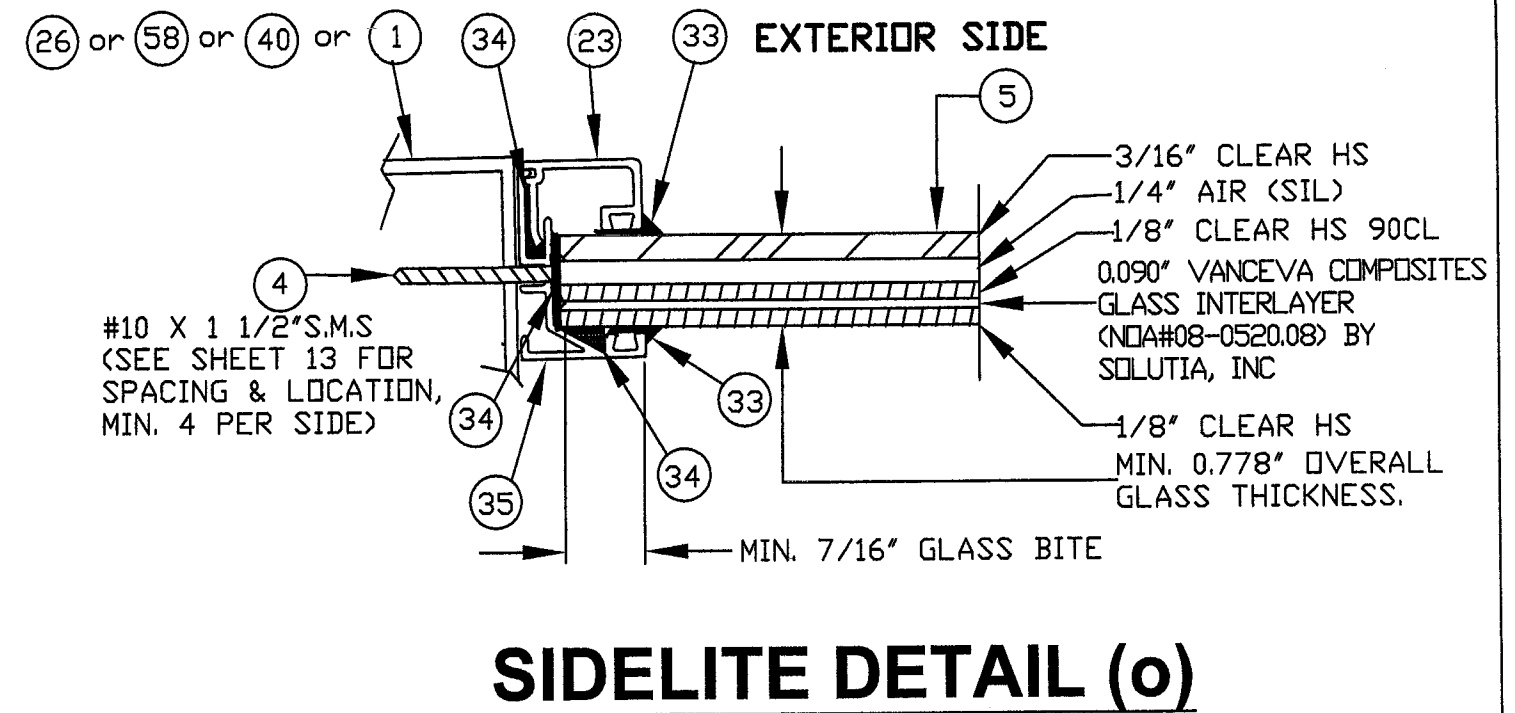
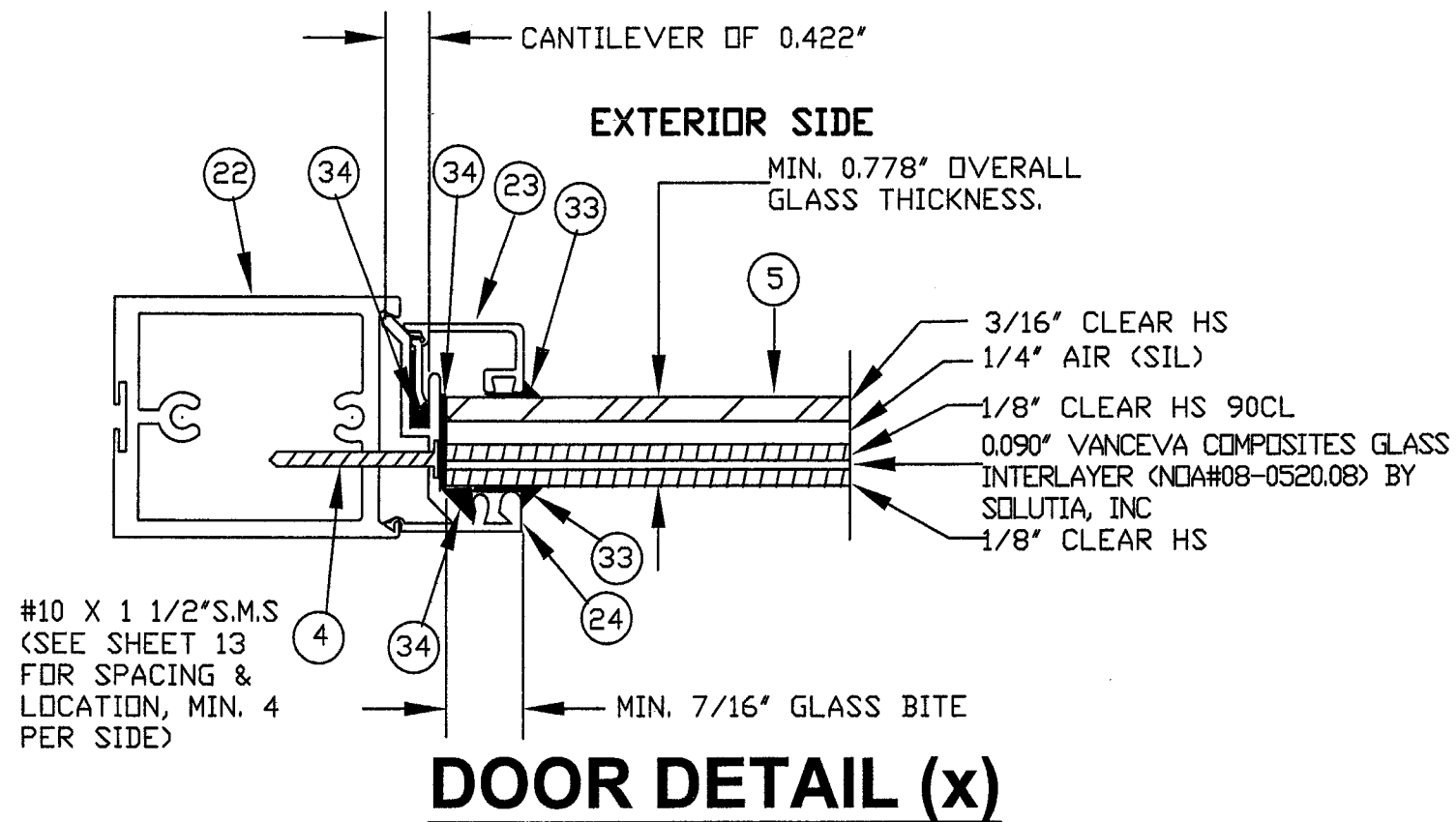


DETAIL C (CORNER HEAD)
N.T.S.

Approved as complying with the
Florida Building Code
Date 03/25/2009
NOA# 08-1210.04
Miami Dade Product Control
Division
By *[Signature]*
MIAMI DADE COUNTY

F.B.C. (HIGH VELOCITY HURRICANE ZONE)

 P.E. SEAL/SIGNATURE/DATE		© 2008 TILTECO INC.		COMMERCIAL PASS-THRU WINDOWS LARGE MISSILE IMPACT RESISTANT		DRAWN BY F.P./M.C.V.	
		 TILLIT TESTING & ENGINEERING COMPANY 6355 N.W. 36th St., Ste. 305, VIRGINIA GARDENS, FL 33168 Phone: (305)871-1530 Fax: (305)871-1531 EB-0006719 WALTER A. TILLIT Jr. P.E. FLORIDA Lic. # 44167		QUIKSERV CORP. 11441 BRITTMORE PARK DRIVE, HOUSTON, TEXAS 77041 PHONE: (713) 937-3437 FAX: (713) 937-9765		11/11/08 DATE	
		REV. No DESCRIPTION DATE REV. No DESCRIPTION DATE		1 GENERAL 2/12/09 3 - -		08-251 DRAWING No	
		2 - - 4 - -		SHEET 5 OF 14			



5 — INSULATED GLAZING DETAILS

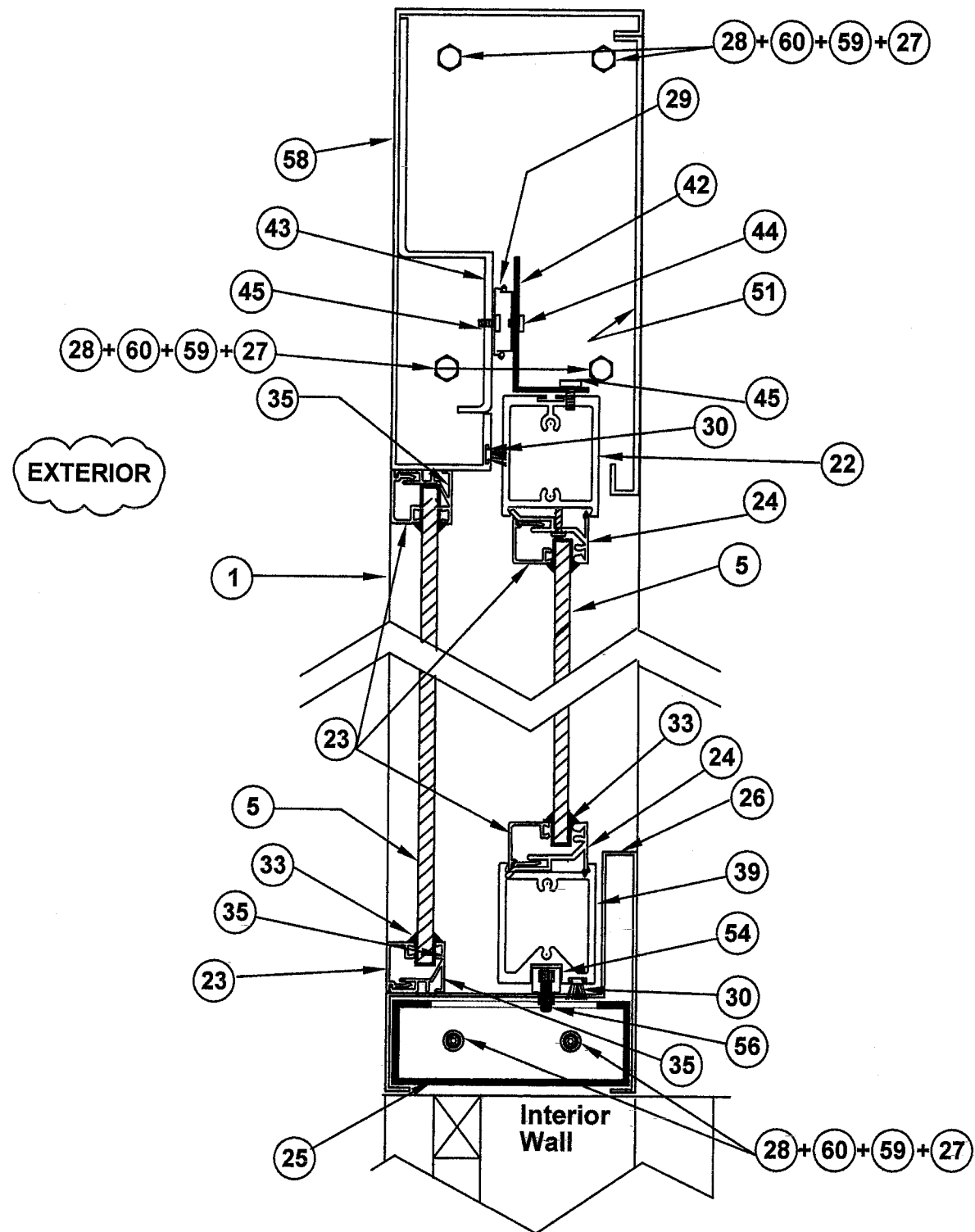
Approved as complying with the Florida Building Code
Date 03/25/2009
NOA# 08-1210.04
Miami Dade Product Control
Division
By *[Signature]*
MIAMI DADE COUNTY

F.B.C. (HIGH VELOCITY HURRICANE ZONE)

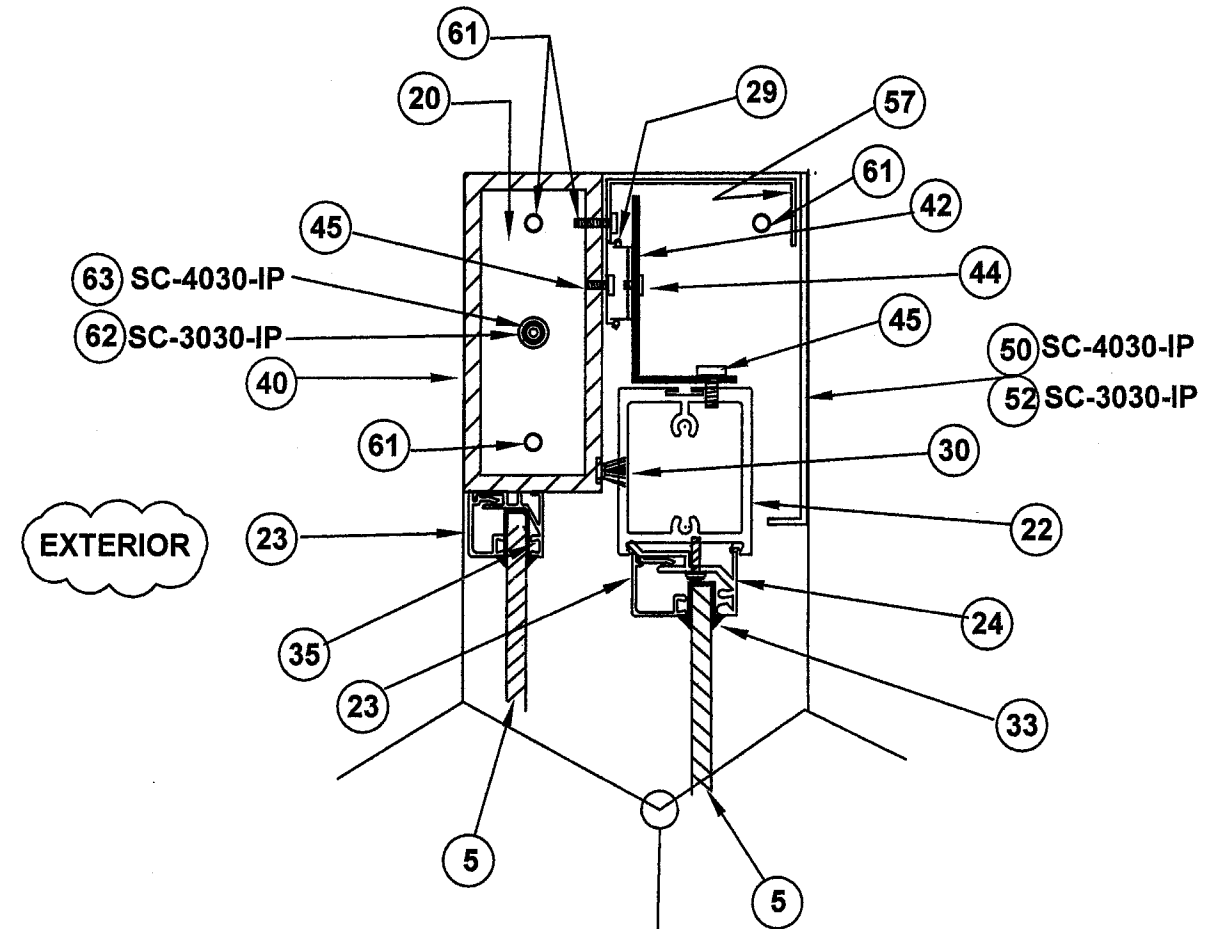
 4/13/09 P.E. SEAL/SIGNATURE/DATE	©2008 TILTECO INC. TILLIT TESTING & ENGINEERING COMPANY 8355 N.W. 38th St., Ste. 305, VIRGINIA GARDENS, FL 33166 Phone: (305)871-1530 Fax: (305)871-1531 EB-0006719 WALTER A. TILLIT Jr. P.E. FLORIDA Lic. # 44167	COMMERCIAL PASS-THRU WINDOWS LARGE MISSILE IMPACT RESISTANT			DRAWN BY F.P./M.C.V.																		
		QUIKSERV CORP. 11441 BRITTMORE PARK DRIVE, HOUSTON, TEXAS 77041 PHONE: (713) 937-3437 FAX: (713) 937-9765			11/11/08 DATE																		
		08-251 DRAWING No			SHEET 6 OF 14																		
		<table border="1"> <thead> <tr> <th>REV. No</th> <th>DESCRIPTION</th> <th>DATE</th> <th>REV. No</th> <th>DESCRIPTION</th> <th>DATE</th> </tr> </thead> <tbody> <tr> <td>1</td> <td>GENERAL</td> <td>2/12/09</td> <td>3</td> <td>-</td> <td>-</td> </tr> <tr> <td>2</td> <td>-</td> <td>-</td> <td>4</td> <td>-</td> <td>-</td> </tr> </tbody> </table>	REV. No	DESCRIPTION	DATE	REV. No	DESCRIPTION	DATE	1	GENERAL	2/12/09	3	-	-	2	-	-	4	-	-			
REV. No	DESCRIPTION	DATE	REV. No	DESCRIPTION	DATE																		
1	GENERAL	2/12/09	3	-	-																		
2	-	-	4	-	-																		

DOOR - HEADER CONNECTIONS

MODEL SS-4035E-IP TYPE 1 WINDOW, HEADER



MODEL SC-4030-IP TYPE 2 WINDOW, HEADER MODEL SC-3030-IP TYPE 3 WINDOW, HEADER



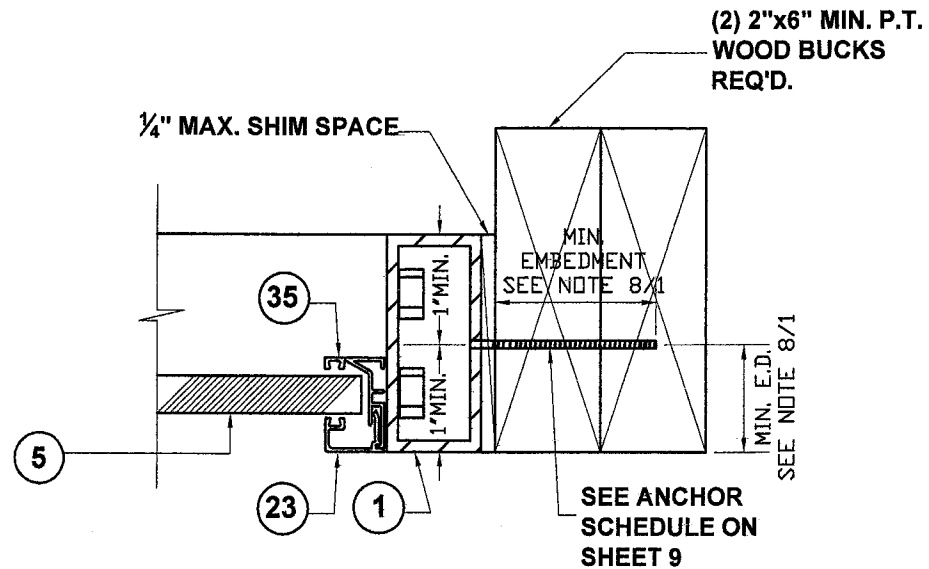
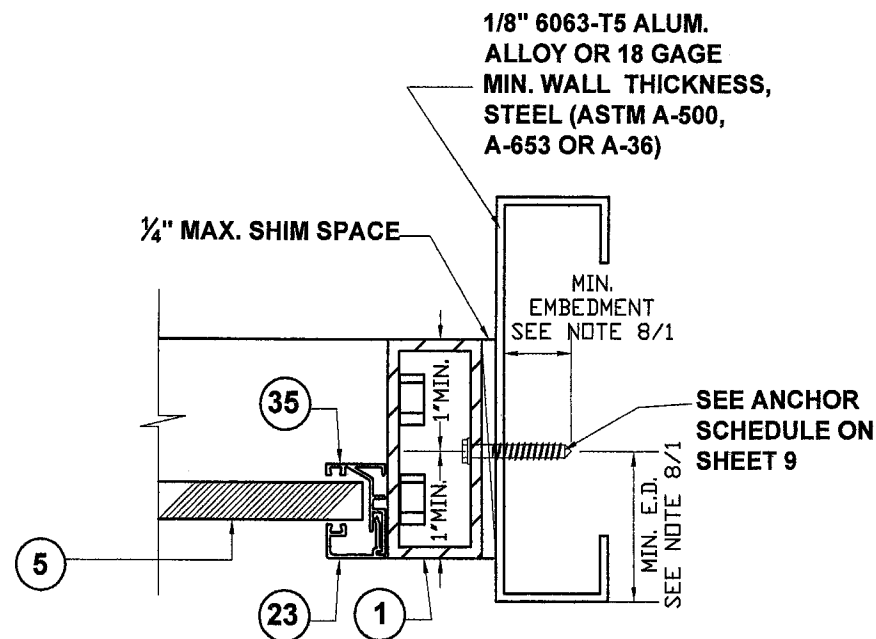
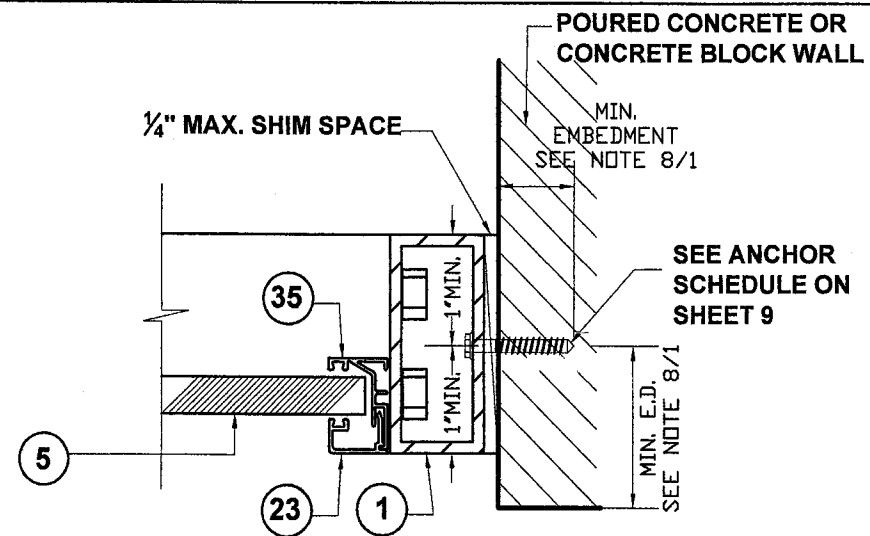
CONTINUED EQUAL TO WINDOW TYPE 1

Approved as complying with the
Florida Building Code
Date 03/25/2009
NOA# 08-1210.04
Miami Dade Product Control
Division
By Manuel Perez
MIAMI DADE COUNTY

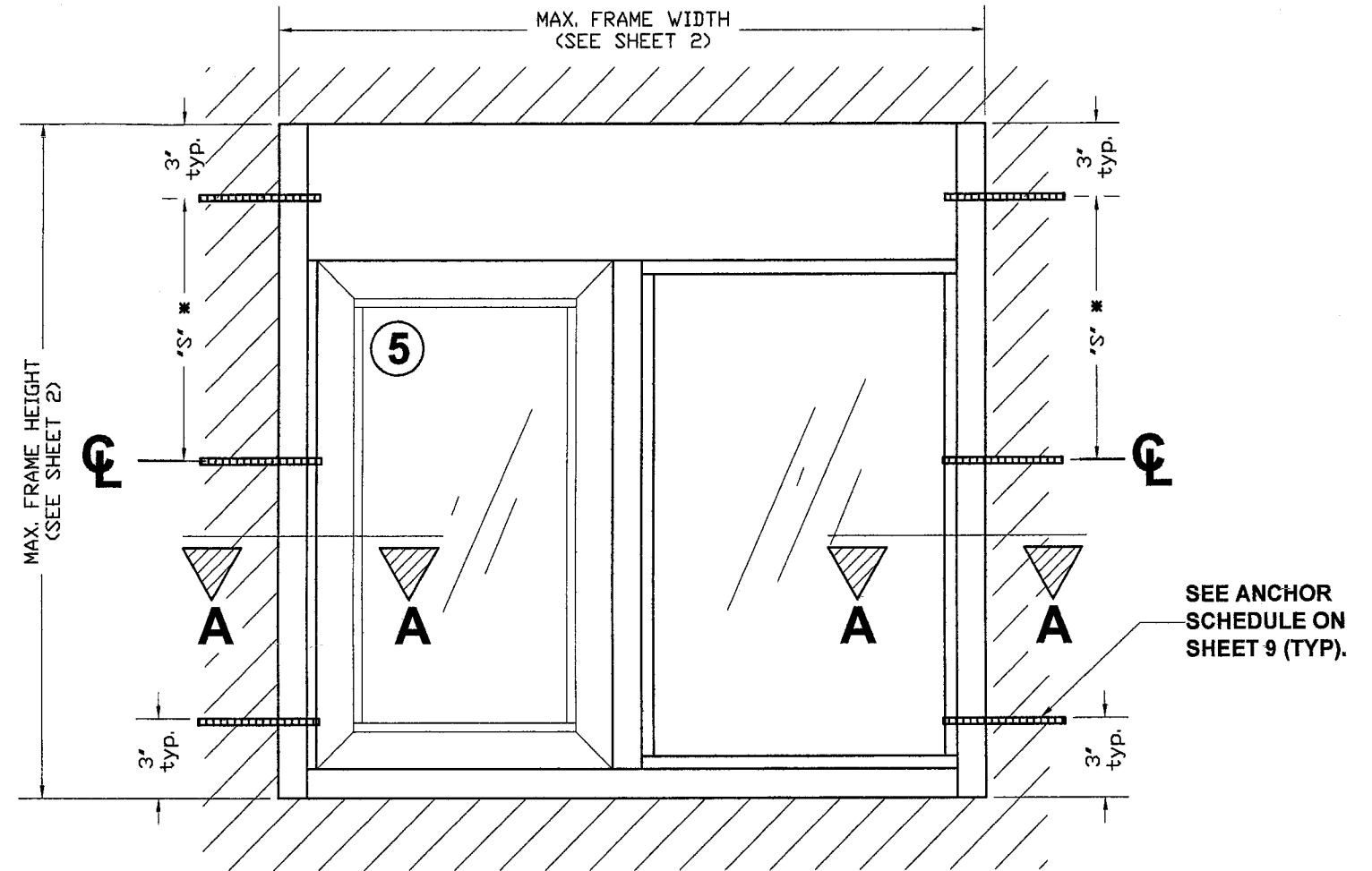
F.B.C. (HIGH VELOCITY HURRICANE ZONE)

 <u>2/13/09</u> P.E. SEAL/SIGNATURE/DATE	© 2008 TILTECO INC. TILLIT TESTING & ENGINEERING COMPANY 6355 N.W. 36th St., Ste. 305, VIRGINIA GARDENS, FL 33166 Phone: (305)871-1530 Fax: (305)871-1531 EB-0006719 WALTER A. TILLIT Jr. P.E. FLORIDA Lic. # 44167	COMMERCIAL PASS-THRU WINDOWS LARGE MISSILE IMPACT RESISTANT QUIKSERV CORP. 11441 BRITTMORE PARK DRIVE, HOUSTON, TEXAS 77041 PHONE: (713) 937-3437 FAX: (713) 937-9785	DRAWN BY F.P./M.C.V. 11/11/08 DATE 08-251 DRAWING No SHEET 7 OF 14																		
		<table border="1" style="width: 100%; border-collapse: collapse;"> <thead> <tr> <th>REV. No</th> <th>DESCRIPTION</th> <th>DATE</th> <th>REV. No</th> <th>DESCRIPTION</th> <th>DATE</th> </tr> </thead> <tbody> <tr> <td>1</td> <td>GENERAL</td> <td>2/12/09</td> <td>3</td> <td>-</td> <td>-</td> </tr> <tr> <td>2</td> <td>-</td> <td>-</td> <td>4</td> <td>-</td> <td>-</td> </tr> </tbody> </table>	REV. No	DESCRIPTION	DATE	REV. No	DESCRIPTION	DATE	1	GENERAL	2/12/09	3	-	-	2	-	-	4	-	-	
REV. No	DESCRIPTION	DATE	REV. No	DESCRIPTION	DATE																
1	GENERAL	2/12/09	3	-	-																
2	-	-	4	-	-																

ANCHOR INSTALLATION AND LAYOUT



SECTION A-A
NTS





TYPICAL FRAME ELEVATION
NTS

* "S" = MAXIMUM SPACING
SEE SHEET 9.

Approved as complying with the
Florida Building Code
Date 03/25/2009
NOA# 08-1210-04
Miami Dade Product Control
Division
By Manuel Diaz
MIAMI DADE COUNTY

F.B.C. (HIGH VELOCITY HURRICANE ZONE)

 P.E. SEAL/SIGNATURE/DATE	© 2008 TILTECO INC.  TILLIT TESTING & ENGINEERING COMPANY 6355 N.W. 36th St., Ste. 305, VIRGINIA GARDENS, FL 33166 Phone: (305)871-1530 Fax: (305)871-1531 EB-0006719 WALTER A. TILLIT Jr. P.E. FLORIDA Lic. # 44167	COMMERCIAL PASS-THRU WINDOWS LARGE MISSILE IMPACT RESISTANT			DRAWN BY F.P./M.C.V.																		
		QUIKSERV CORP. 11441 BRITTMORE PARK DRIVE, HOUSTON, TEXAS 77041 PHONE: (713) 937-3437 FAX: (713) 937-9765			11/11/08 DATE																		
		08-251 DRAWING No		SHEET 8 OF 14																			
		<table border="1"> <thead> <tr> <th>REV. No</th> <th>DESCRIPTION</th> <th>DATE</th> <th>REV. No</th> <th>DESCRIPTION</th> <th>DATE</th> </tr> </thead> <tbody> <tr> <td>1</td> <td>-</td> <td>-</td> <td>3</td> <td>-</td> <td>-</td> </tr> <tr> <td>2</td> <td>-</td> <td>-</td> <td>4</td> <td>-</td> <td>-</td> </tr> </tbody> </table>	REV. No	DESCRIPTION	DATE	REV. No	DESCRIPTION	DATE	1	-	-	3	-	-	2	-	-	4	-	-			
REV. No	DESCRIPTION	DATE	REV. No	DESCRIPTION	DATE																		
1	-	-	3	-	-																		
2	-	-	4	-	-																		

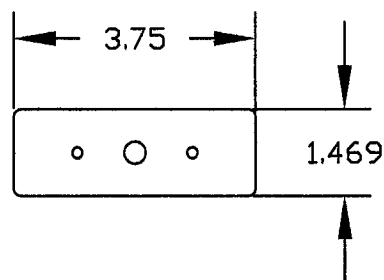
ANCHOR SCHEDULE

MAXIMUM ANCHOR SPACING "S" SCHEDULE AT JAMB			
DESIGN LOAD (PSF) NEGATIVE LOAD	SUBSTRATE	ANCHOR TYPE	MAX SPACING
50 OR LESS	POURED CONCRETE (SEE NOTE 8A/1)	1/4"Ø ITW BUILDEX TAPCON ANCHORS	16 1/2"
	CONCRETE BLOCK (SEE NOTE 8B/1)	1/4"Ø ITW BUILDEX TAPCON ANCHORS	16 1/2"
	ALUMINUM MEMBER (SEE NOTE 8D/1)	1/4"Ø ITW BUILDEX TEK SCREWS	17 1/2"
	STEEL MEMBER (SEE NOTE 8E/1)	1/4"Ø ITW BUILDEX TEK SCREWS	17 1/2"
	WOOD (SEE NOTE 8C/1)	1/4"Ø WOOD SCREWS (NDS)	17 1/2"
> 50 TO 70	POURED CONCRETE (SEE NOTE 8A/1)	1/4"Ø ITW BUILDEX TAPCON ANCHORS	11 1/2"
	CONCRETE BLOCK (SEE NOTE 8B/1)	1/4"Ø ITW BUILDEX TAPCON ANCHORS	11 1/2"
	ALUMINUM MEMBER (SEE NOTE 8D/1)	1/4"Ø ITW BUILDEX TEK SCREWS	16"
	STEEL MEMBER (SEE NOTE 8E/1)	1/4"Ø ITW BUILDEX TEK SCREWS	16"
	WOOD (SEE NOTE 8C/1)	1/4"Ø WOOD SCREWS (NDS)	13 1/2"
> 70 TO 80	POURED CONCRETE (SEE NOTE 8A/1)	1/4"Ø ITW BUILDEX TAPCON ANCHORS	10"
	CONCRETE BLOCK (SEE NOTE 8B/1)	1/4"Ø ITW BUILDEX TAPCON ANCHORS	10"
	ALUMINUM MEMBER (SEE NOTE 8D/1)	1/4"Ø ITW BUILDEX TEK SCREWS	14"
	STEEL MEMBER (SEE NOTE 8E/1)	1/4"Ø ITW BUILDEX TEK SCREWS	14"
	WOOD (SEE NOTE 8C/1)	1/4"Ø WOOD SCREWS (NDS)	11 1/2"

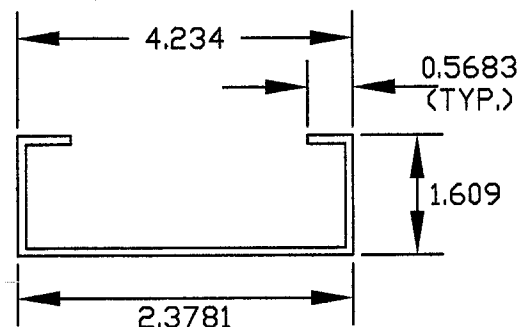
Approved as complying with the
Florida Building Code
Date 03/25/2009
NOA# 08-1210-04
Miami Dade Product Control
Division
By Mamad Parsy
MIAMI DADE COUNTY

F.B.C. (HIGH VELOCITY HURRICANE ZONE)

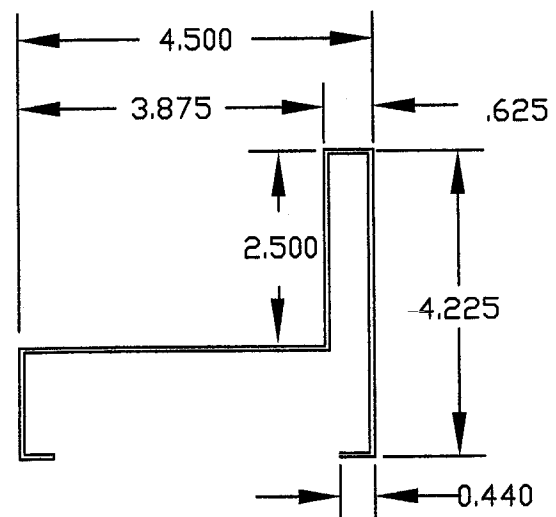
2/13/09 P.E. SEAL/SIGNATURE/DATE	© 2008 TILTECO INC. TILLIT TESTING & ENGINEERING COMPANY 6355 N.W. 36th St., Ste. 305, VIRGINIA GARDENS, FL 33166 Phone : (305)871-1530 . Fax : (305)871-1531 EB-0006719 WALTER A. TILLIT Jr. P.E. FLORIDA Lic. # 44167	COMMERCIAL PASS-THRU WINDOWS LARGE MISSILE IMPACT RESISTANT QUIKSERV CORP. 11441 BRITTMORE PARK DRIVE, HOUSTON, TEXAS 77041 PHONE: (713) 937-3437 FAX: (713) 937-9765	DRAWN-BY F.P./M.C.V. 11/11/08 DATE 08-251 DRAWING No SHEET 9 OF 14																		
<table border="1" style="width: 100%; border-collapse: collapse;"> <thead> <tr> <th style="width: 5%;">REV. No</th> <th style="width: 45%;">DESCRIPTION</th> <th style="width: 10%;">DATE</th> <th style="width: 5%;">REV. No</th> <th style="width: 45%;">DESCRIPTION</th> <th style="width: 10%;">DATE</th> </tr> </thead> <tbody> <tr> <td>1</td> <td>-</td> <td>-</td> <td>3</td> <td>-</td> <td>-</td> </tr> <tr> <td>2</td> <td>-</td> <td>-</td> <td>4</td> <td>-</td> <td>-</td> </tr> </tbody> </table>				REV. No	DESCRIPTION	DATE	REV. No	DESCRIPTION	DATE	1	-	-	3	-	-	2	-	-	4	-	-
REV. No	DESCRIPTION	DATE	REV. No	DESCRIPTION	DATE																
1	-	-	3	-	-																
2	-	-	4	-	-																



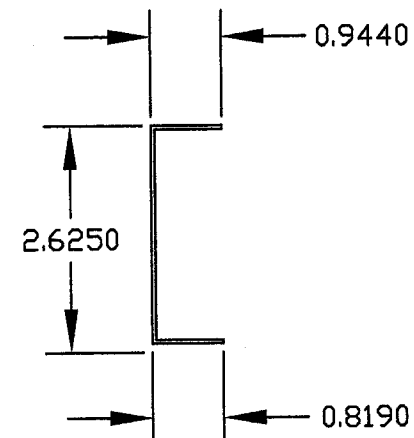
20 FRAMING PLATE
14 ga. ASTM A-653, CQ-GRADE 40
G-90 GALVANIZED STEEL
QUIKSERV RM# 3757



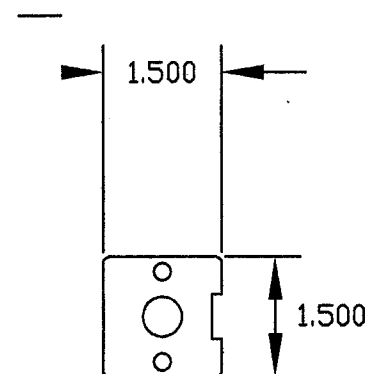
25 BASE BRACE
14 ga. ASTM A-653, CQ-GRADE 40
G-90 GALVANIZED STEEL
QUIKSERV RM# 3767



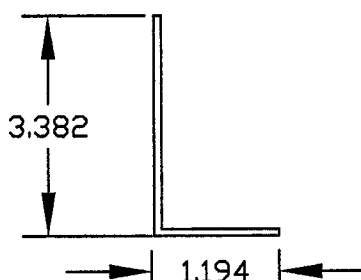
26 BASE
20 ga. 304 Stainless Steel
QUIKSERV RM# 3768



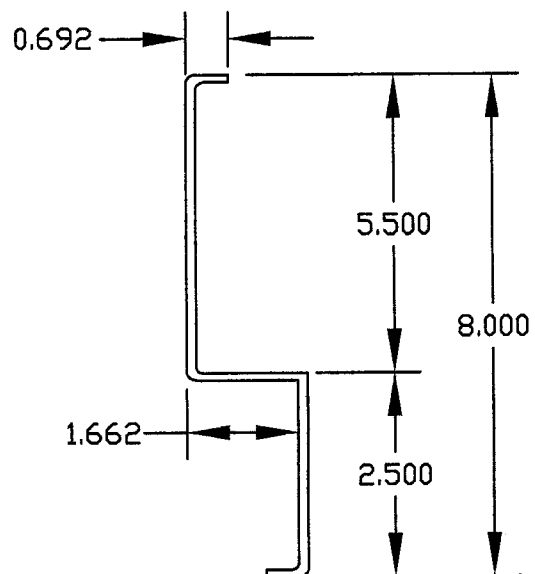
57 ACCESS COVER BRACKET
18 ga. ASTM A-653, CQ-GRADE 40
G-90 GALVANIZED STEEL



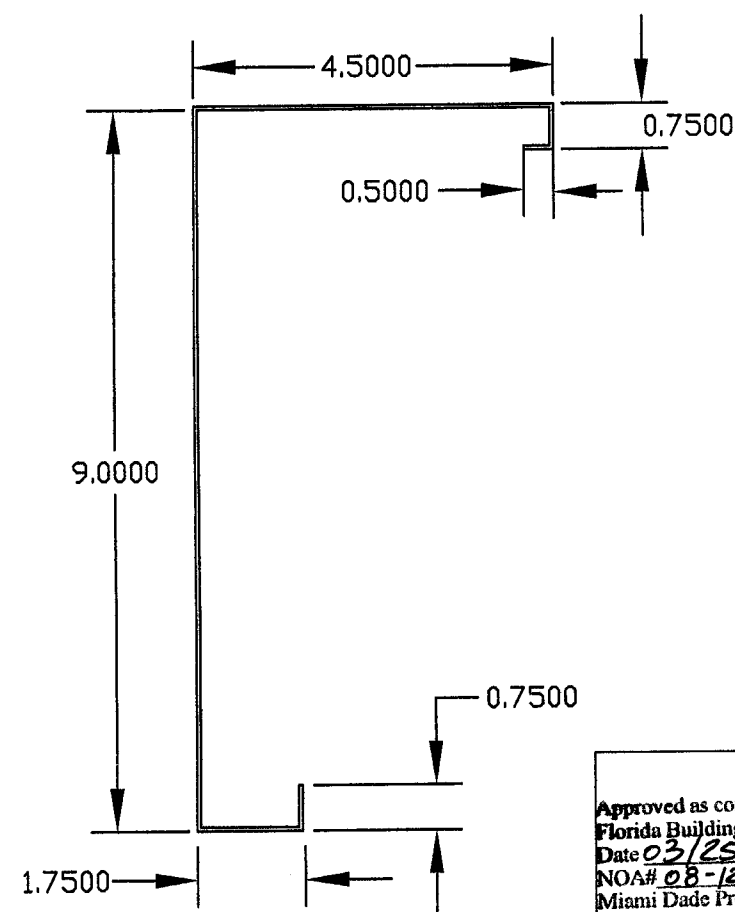
36 FRAMING PLATE
14 ga. ASTM A-653, CQ-GRADE 40
G-90 GALVANIZED STEEL
QUIKSERV RM# 3668



42 DOOR BRACKET
12 ga. ASTM A-653, CQ-GRADE 40
G-90 GALVANIZED STEEL
SIZE VARIES



43 HEADER BRACE
14 ga. ASTM A-653, CQ-GRADE 40
G-90 Galvanized Steel



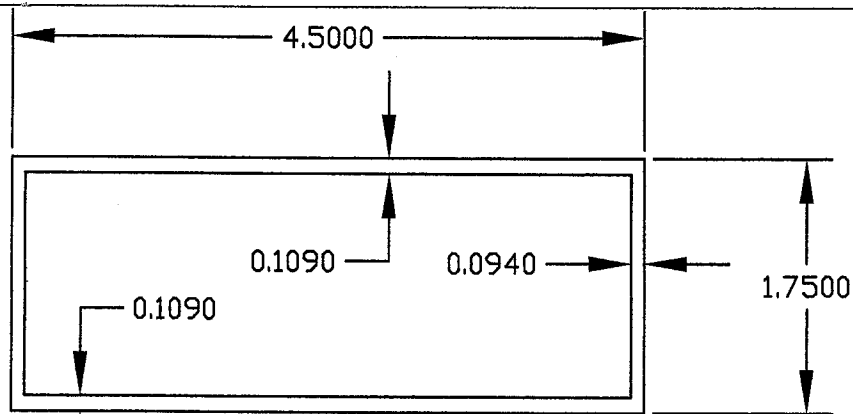
58 EXTERIOR HEADER COVER
18 ga. 304 Stainless Steel

Approved as complying with the
Florida Building Code
Date 03/25/2009
NOA# 08-1210-04
Miami Dade Product Control
Division
By *[Signature]*
MIAMI DADE COUNTY

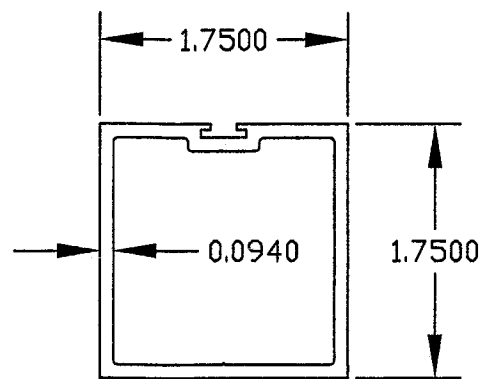
STEEL ASSEMBLY COMPONENTS

F.B.C. (HIGH VELOCITY HURRICANE ZONE)

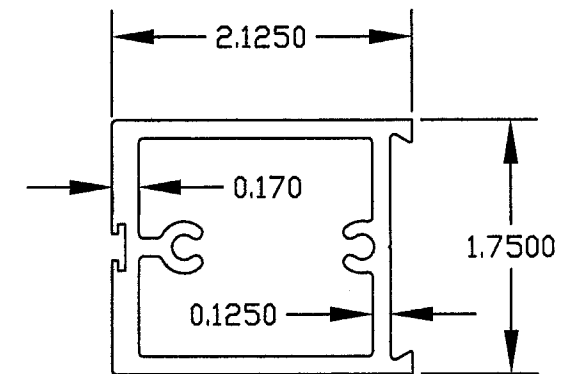
 P.E. SEAL/SIGNATURE/DATE	© 2008 TILTECO INC. TILLIT TESTING & ENGINEERING COMPANY 6355 N.W. 36th St., Ste. 305, VIRGINIA GARDENS, FL 33186 Phone : (305)871-1530 . Fax : (305)871-1531 EB-0006719 WALTER A. TILLIT Jr. P.E. FLORIDA Lic. # 44167	COMMERCIAL PASS-THRU WINDOWS LARGE MISSILE IMPACT RESISTANT	DRAWN BY F.P./M.C.V.																		
		QUIKSERV CORP. 11441 BRITTMORE PARK DRIVE, HOUSTON, TEXAS 77041 PHONE: (713) 937-3437 FAX: (713) 937-9765	11/11/08 DATE																		
		08-251 DRAWING No	SHEET 10 OF 14																		
		<table border="1"> <thead> <tr> <th>REV. No</th> <th>DESCRIPTION</th> <th>DATE</th> <th>REV. No</th> <th>DESCRIPTION</th> <th>DATE</th> </tr> </thead> <tbody> <tr> <td>1</td> <td>GENERAL</td> <td>2/12/08</td> <td>3</td> <td>-</td> <td>-</td> </tr> <tr> <td>2</td> <td>-</td> <td>-</td> <td>4</td> <td>-</td> <td>-</td> </tr> </tbody> </table>	REV. No	DESCRIPTION	DATE	REV. No	DESCRIPTION	DATE	1	GENERAL	2/12/08	3	-	-	2	-	-	4	-	-	
REV. No	DESCRIPTION	DATE	REV. No	DESCRIPTION	DATE																
1	GENERAL	2/12/08	3	-	-																
2	-	-	4	-	-																



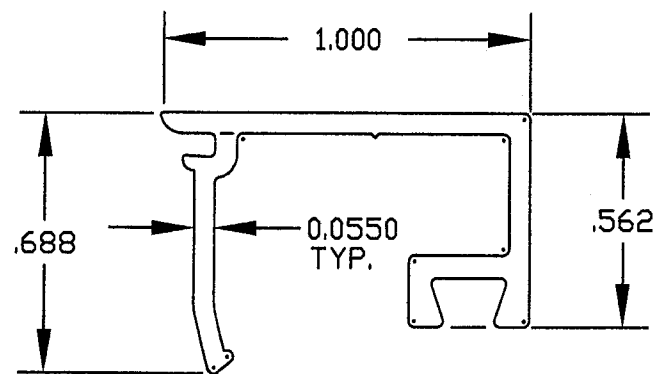
01 1-3/4" X 4-1/2" RECT. TUBE
QUIKSERV RM# 6026



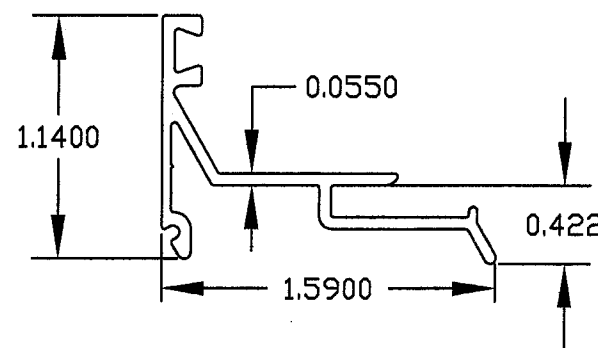
21 1-3/4" SQ. TUBE
QUIKSERV RM# 6049



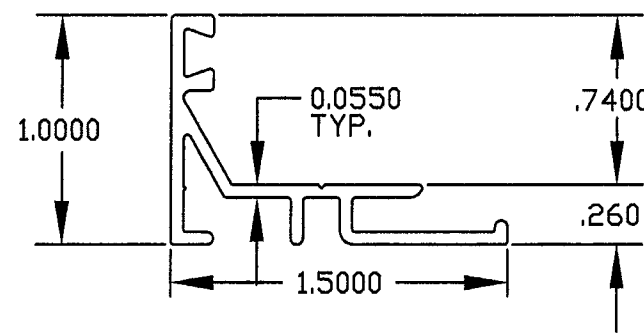
22 WIDE DOOR EXTRUSION
QUIKSERV RM# 6078



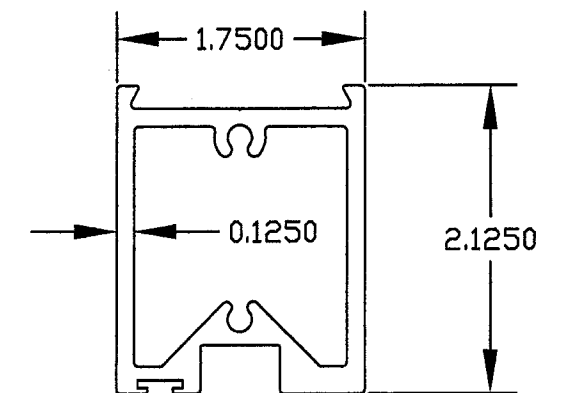
23 SASH FACE
QUIKSERV RM# 6061



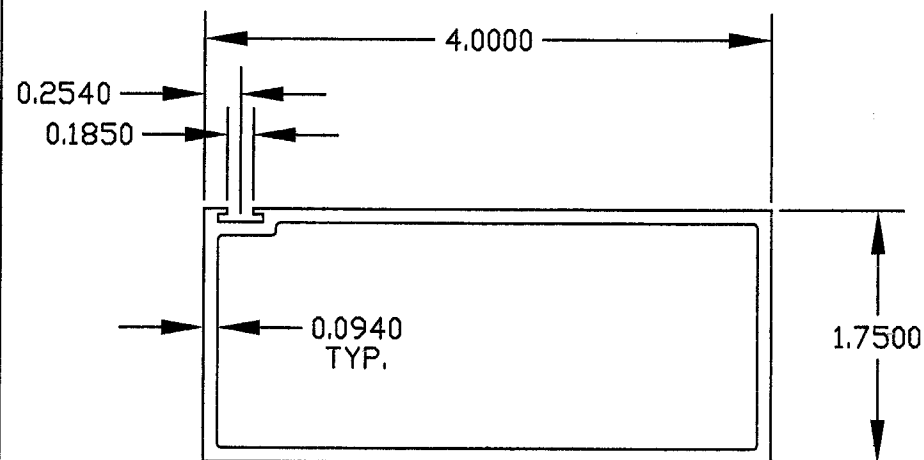
24 SNAP-ON SASH
QUIKSERV RM# 6065



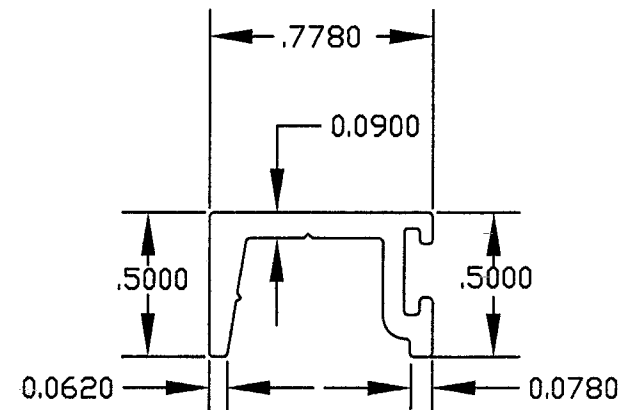
35 SCREW APPLIED SASH
QUIKSERV RM# 6082



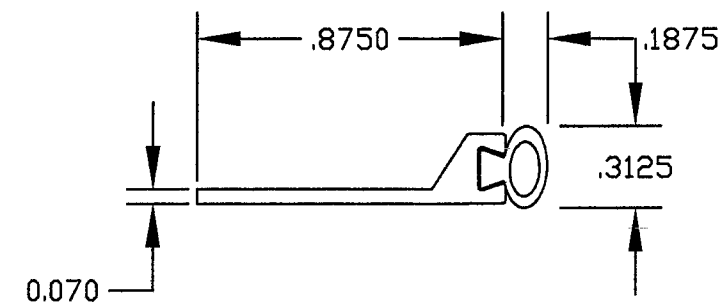
39 WIDE DOOR EXTRUSION W/ SLOT
QUIKSERV RM# 6080



40 1-3/4" X 4" RECT. TUBE
QUIKSERV RM# 6047



41 SCREW APPLIED STOP
QUIKSERV RM# 6084



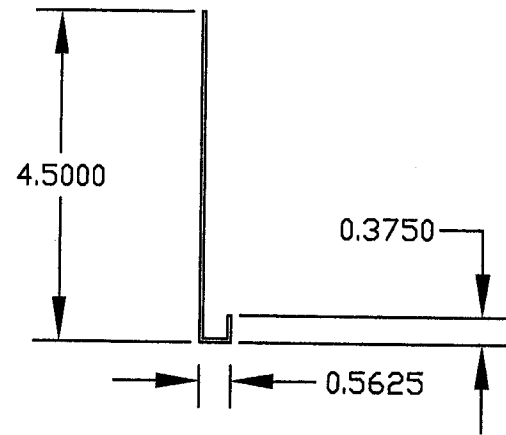
53 161 NA PERIMETER SEAL
.07 ALUMINUM WITH NEOPRENE

Approved as complying with the
Florida Building Code
Date 03/25/2009
NOA# 08-1210-04
Miami Dade Product Control
Division
By *[Signature]*
MIAMI DADE COUNTY

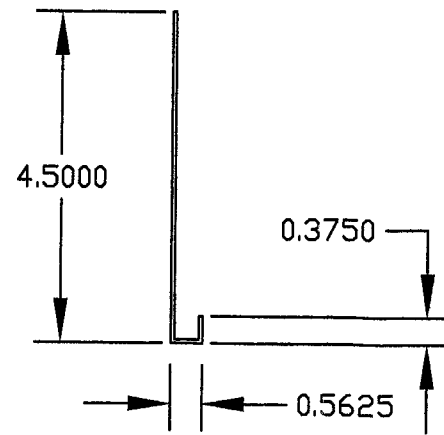
F.B.C. (HIGH VELOCITY HURRICANE ZONE)

ALUMINUM EXTRUSIONS COMPONENTS

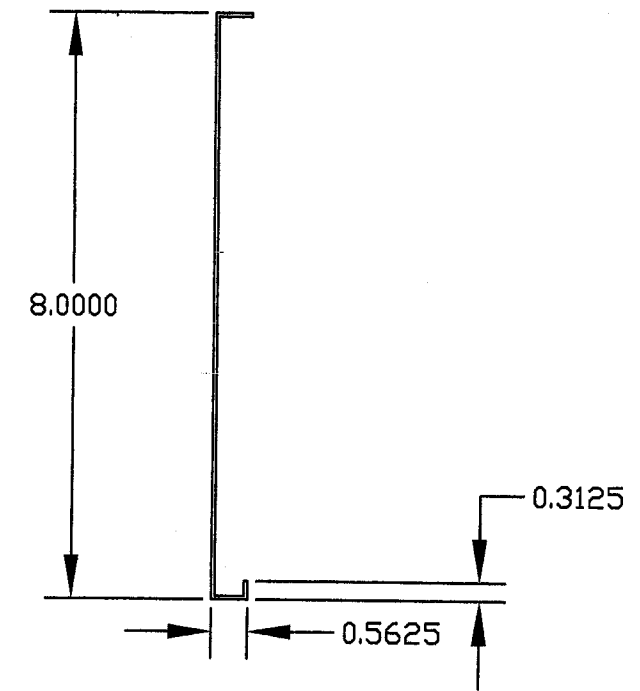
 P.E. SEAL/SIGNATURE/DATE		© 2008 TILTECO INC.		COMMERCIAL PASS-THRU WINDOWS LARGE MISSILE IMPACT RESISTANT		DRAWN BY F.P./M.C.V.																			
		 TILTECO INC. TILLIT TESTING & ENGINEERING COMPANY 6355 N.W. 36th St., Ste. 305, VIRGINIA GARDENS, FL 33186 Phone: (305)871-1530 Fax: (305)871-1531 EB-0006719 WALTER A. TILLIT Jr, P.E. FLORIDA Lic. # 44167		QUIKSERV CORP. 11441 BRITTMORE PARK DRIVE, HOUSTON, TEXAS 77041 PHONE: (713) 937-3437 FAX: (713) 937-9765		11/11/08 DATE																			
				<table border="1"> <thead> <tr> <th>REV. No</th> <th>DESCRIPTION</th> <th>DATE</th> <th>REV. No</th> <th>DESCRIPTION</th> <th>DATE</th> </tr> </thead> <tbody> <tr> <td>1</td> <td>GENERAL</td> <td>2/12/09</td> <td>3</td> <td>-</td> <td>-</td> </tr> <tr> <td>2</td> <td>-</td> <td>-</td> <td>4</td> <td>-</td> <td>-</td> </tr> </tbody> </table>		REV. No	DESCRIPTION	DATE	REV. No	DESCRIPTION	DATE	1	GENERAL	2/12/09	3	-	-	2	-	-	4	-	-	08-251 DRAWING No	
REV. No	DESCRIPTION	DATE	REV. No	DESCRIPTION	DATE																				
1	GENERAL	2/12/09	3	-	-																				
2	-	-	4	-	-																				
						SHEET 11 OF 14																			



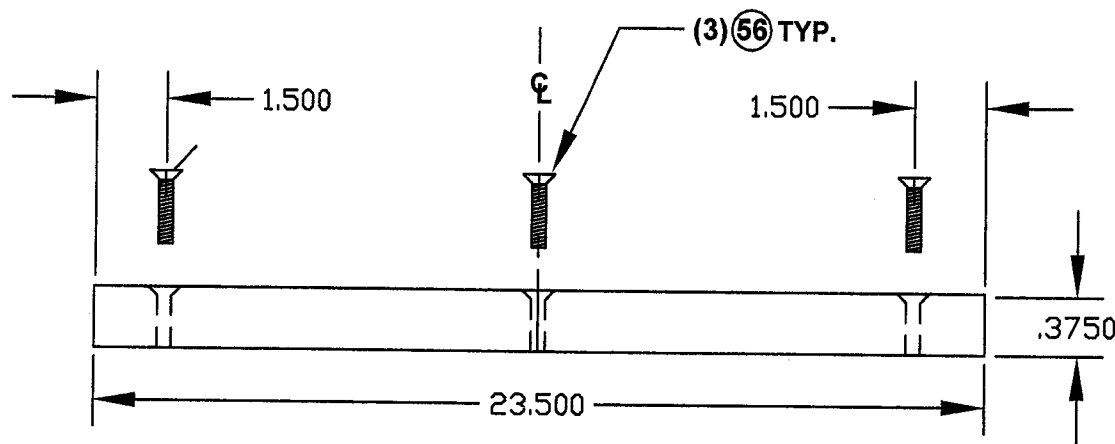
50 ACCESS COVER
18 ga. 304 Stainless Steel
SC-4030-IP
QUIKSERV RM# 3606



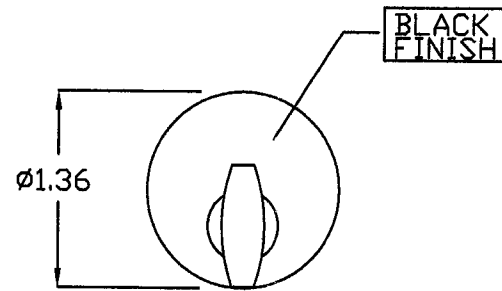
52 ACCESS COVER
18 ga. 304 Stainless Steel
SC-3030-IP
QUIKSERV RM# 3566



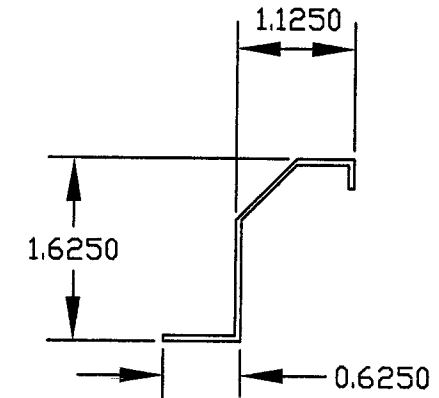
51 ACCESS COVER
18 ga. 304 Stainless Steel
SS-4035-E-IP
QUIKSERV RM# 3514



54 DOOR GUIDE BLOCK
HIGH DENSITY POLYETHYLENE
23-1/2" (L) X 3/8" (H) X 1/2" (W)
SPECIFIC GRAVITY=0.96-0.97
(PER SAFETY DATA SHEET)
MANUFACTURED BY QUADRANT EPP-USA INC,
700 NORTH SOUTH ROAD,
SCRANTON, PA 18501



48 THUMB TURN HOOKLOCK
QUIKSERV PART # 2022



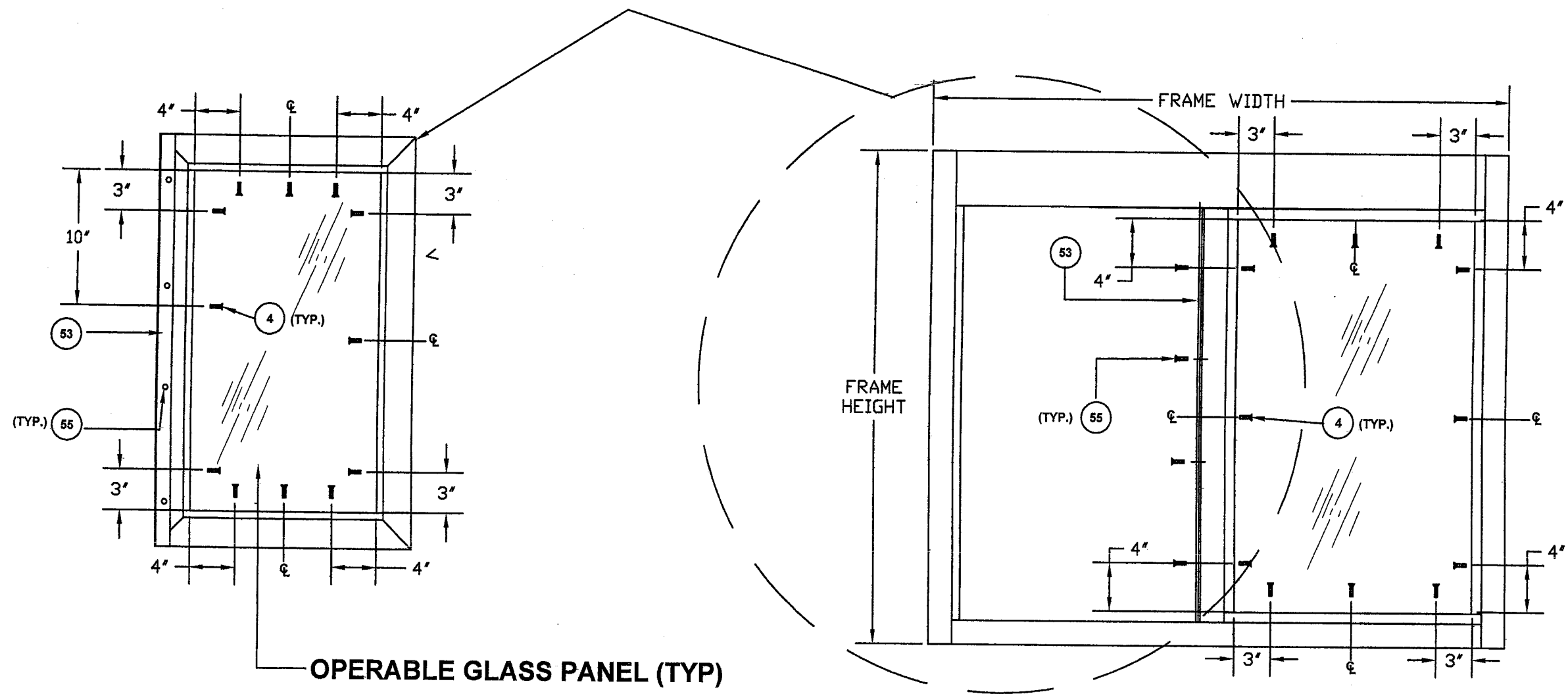
49 DOOR HANDLE
16 ga. 304 Stainless Steel
QUIKSERV RM# 3588

Approved as complying with the
Florida Building Code
Date 03/25/2009
NOA# 08-1210-04
Miami Dade Product Control
Division
By *Maurice...*
MIAMI DADE COUNTY

ASSEMBLY COMPONENTS

F.B.C. (HIGH VELOCITY HURRICANE ZONE)

 P.E. SEAL/SIGNATURE/DATE	© 2008 TILTECO INC. TILLIT TESTING & ENGINEERING COMPANY 6355 N.W. 36th St., Ste. 305, VIRGINIA GARDENS, FL 33166 Phone : (305)871-1530 . Fax : (305)871-1531 EB-0006719 WALTER A. TILLIT Jr. P.E. FLORIDA Lic. # 44167	COMMERCIAL PASS-THRU WINDOWS LARGE MISSILE IMPACT RESISTANT		DRAWN BY F.P./M.C.V.																			
		QUIKSERV CORP. 11441 BRITTMORE PARK DRIVE, HOUSTON, TEXAS 77041 PHONE: (713) 937-3437 FAX: (713) 937-9765		11/11/08 DATE																			
		08-251 DRAWING No		SHEET 12 OF 14																			
		<table border="1"> <thead> <tr> <th>REV. No</th> <th>DESCRIPTION</th> <th>DATE</th> <th>REV. No</th> <th>DESCRIPTION</th> <th>DATE</th> </tr> </thead> <tbody> <tr> <td>1</td> <td>GENERAL</td> <td>2/12/09</td> <td>3</td> <td>-</td> <td>-</td> </tr> <tr> <td>2</td> <td>-</td> <td>-</td> <td>4</td> <td>-</td> <td>-</td> </tr> </tbody> </table>	REV. No	DESCRIPTION	DATE	REV. No	DESCRIPTION	DATE	1	GENERAL	2/12/09	3	-	-	2	-	-	4	-	-			
REV. No	DESCRIPTION	DATE	REV. No	DESCRIPTION	DATE																		
1	GENERAL	2/12/09	3	-	-																		
2	-	-	4	-	-																		



SASH INSTALLATION DETAILS

Approved as complying with the
 Florida Building Code
 Date 03/25/2009
 NO. 08-1210.04
 Miami Dade Product Control
 Division
 By Walter A. Tillit Jr.
 MIAMI DADE COUNTY

APPLICABLE TO THE FOLLOWING WINDOWS:
 SS-4035E-IP (TYPE 1 WINDOW)
 SC-4030-IP (TYPE 2 WINDOW)
 SC-3030-IP (TYPE 3 WINDOW)

F.B.C. (HIGH VELOCITY HURRICANE ZONE)



 P.E. SEAL/SIGNATURE/DATE	©2008 TILTECO INC. TILLIT TESTING & ENGINEERING COMPANY 6355 N.W. 36th St., Ste. 305, VIRGINIA GARDENS, FL 33166 Phone: (305)871-1530 Fax: (305)871-1531 EB-0006719 WALTER A. TILLIT Jr. P.E. FLORIDA Lic. # 44167	COMMERCIAL PASS-THRU WINDOWS LARGE MISSILE IMPACT RESISTANT QUIKSERV CORP. 11441 BRITTMORE PARK DRIVE, HOUSTON, TEXAS 77041 PHONE: (713) 937-3437 FAX: (713) 937-9765	DRAWN BY F.P./M.C.V. 11/11/08 DATE 08-251 DRAWING No																		
		<table border="1" style="width: 100%; border-collapse: collapse;"> <thead> <tr> <th>REV. No</th> <th>DESCRIPTION</th> <th>DATE</th> <th>REV. No</th> <th>DESCRIPTION</th> <th>DATE</th> </tr> </thead> <tbody> <tr> <td>1</td> <td>-</td> <td>-</td> <td>3</td> <td>-</td> <td>-</td> </tr> <tr> <td>2</td> <td>-</td> <td>-</td> <td>4</td> <td>-</td> <td>-</td> </tr> </tbody> </table>	REV. No	DESCRIPTION	DATE	REV. No	DESCRIPTION	DATE	1	-	-	3	-	-	2	-	-	4	-	-	SHEET 13 OF 14
REV. No	DESCRIPTION	DATE	REV. No	DESCRIPTION	DATE																
1	-	-	3	-	-																
2	-	-	4	-	-																

BILL OF MATERIALS

Ref #	Description	Quikserv #	Material	Specs
1	1 3/4" x 4 1/2" Rect. Tube	6026	6063-T-6 Aluminum	See drawing pg. 11 - length varies
4	Sheet Metal Screw	5055	304 Series Stainless Steel	See drawing pg. 13 -#10-32 x 1 1/2"
5	Insulated Glass (NOA - 08-0520.08)	n/a	0.090" Interlayer	See drawing pg. 6
7	All Thread Rod	n/a	Grade 2 Carbon Steel, Zinc Plated	size varies
19	Hex Nut	5301	Zinc Plated	5/16"-18
20	Framing Plate	3757	14 ga.ASTM A-653, CQ Grade 40, G-90 Galvanized Steel	See drawing pg. 10
21	1 3/4" Sq. Tube	6049	6063-T-6 Aluminum	See drawing pg. 11 - length varies
22	Wide Door Extrusion	6078	6063-T-6 Aluminum	See drawing pg. 11 - length varies
23	Sash Face	6061	6063-T-6 Aluminum	See drawing pg. 11 - length varies
24	Snap-on Sash	6065	6063-T-6 Aluminum	See drawing pg. 11 - length varies
25	Base Brace	3767	14 ga.ASTM A-653, CQ Grade 40, G-90 Galvanized Steel	See drawing pg. 10
26	Base	3768	20 ga. 304 Series Stainless Steel	See drawing pg. 10
27	Nutzert	5318	Grade 2 Carbon Steel, Zinc Plated	5/16"-18 x 1"
28	Hex Bolt	5205	Grade 2 Carbon Steel, Zinc Plated	5/16"-18 x 1"
29	Slide Rail	1917	Cold Rolled Steel	n/a
30	Weatherstripping	6034	n/a	n/a
33	Glazing Vinyl	6032	n/a	n/a
34	Silicone	2100	n/a	Mfg. by Novaguard
35	Screw Applied Sash	6082	6063-T-6 Aluminum	See drawing pg. 11 - length varies
36	Framing Plate	3668	14 ga.ASTM A-653, CQ Grade 40, G-90 Galvanized Steel	See drawing pg. 10
39	Wide Door Extrusion w/ Slot	6080	6063-T-6 Aluminum	See drawing pg. 11 - length varies
40	1 3/4" x 4" Rect. Tube	6047	6063-T-6 Aluminum	See drawing pg. 11 - length varies
41	Screw Applied Stop	6084	6063-T-6 Aluminum	See drawing pg. 11 - length varies
42	Door Bracket	n/a	12 ga.ASTM A-653, CQ Grade 40 G-90 Galvanized Steel	See drawing pg. 10 - size varies
43	Header Brace	n/a	14 ga.ASTM A-653, CQ Grade 40, G-90 Galvanized Steel	See drawing pg. 10
44	Trim Head Hex Machine Screw	5008	Grade 2 Carbon Steel, Zinc Plated	#10-32 x 3/8"
45	Trim Head Hex Machine Screw	5005	Grade 2 Carbon Steel, Zinc Plated	#10-32 x 3/4"
48	Thumb Turn Lock	2022	Grade 2 Carbon Steel, Zinc Plated	See drawing pg. 12
49	Door Handle	3588	16 ga. 304 Series Stainless Steel	See drawing pg. 12
50	Access Cover for SC-4030-IP	3606	18 ga. 304 Series Stainless Steel	See drawing pg. 12
51	Access Cover for SS-4035E-IP	3514	18 ga. 304 Series Stainless Steel	See drawing pg. 12
52	Access Cover for SC-3030-IP	3566	18 ga. 304 Series Stainless Steel	See drawing pg. 12
53	161 NA Perimeter Seal	n/a	0.07 Aluminum with Neoprene	See drawing pg. 11 - length varies
54	Door guide Block	n/a	High Density Polyethylene 23 1/2" (L)x3/8" (H)x1/2" (W)	See drawing pg. 12
55	Phil Pan Tek Screw	n/a	410 Series Stainless Steel	#8 x 1 1/2"
56	Phil Flat Undercut Screw	5052	304 Series Stainless Steel	(3) #10-32 x1" @ (54)
57	Access Cover Bracket	n/a	18 ga. ASTM A-653, CQ Grade 40, G-90 Galvanized Steel	See drawing pg. 10
58	Exterior Header Cover	n/a	18 ga. 304 Series Stainless Steel	See drawing pg. 10
59	Flat washer	5402	Grade 2 Carbon Steel, Zinc Plated	5/16" diameter x 0.100" Thick
60	Lock washer	5403	Grade 2 Carbon Steel, Zinc Plated	5/16" diameter x 0.083" Thick
61	Tek screw	5017	Grade 2 Carbon Steel, Zinc Plated	#8 x 1/2"
62	All Thread Rod	2130	Grade 2 Carbon Steel, Zinc Plated	5/16"-18 x 34 1/2"
63	All Thread Rod	2105	Grade 2 Carbon Steel, Zinc Plated	5/16"-18 x 46 1/2"

Approved as complying with the Florida Building Code
 Date 03/25/2009
 NOA# 08-1210-04
 Miami Dade Product Control Division
 By [Signature]
 MIAMI DADE COUNTY

F.B.C. (HIGH VELOCITY HURRICANE ZONE)

 <u>4/13/09</u> P.E. SEAL/SIGNATURE/DATE	© 2008 TILTECO INC.  TILLIT TESTING & ENGINEERING COMPANY 6355 N.W. 38th St., Ste. 305, VIRGINIA GARDENS, FL 33166 Phone : (305)871-1530 . Fax : (305)871-1531 EB-0006719 WALTER A. TILLIT Jr. P.E. FLORIDA Lic. # 44167	COMMERCIAL PASS-THRU WINDOWS LARGE MISSILE IMPACT RESISTANT	DRAWN BY F.P./M.C.V.																		
		QUIKSERV CORP. 11441 BRITTMORE PARK DRIVE, HOUSTON, TEXAS 77041 PHONE: (713) 937-3437 FAX: (713) 937-9786	11/11/08 DATE 08-251 DRAWING No																		
		<table border="1"> <thead> <tr> <th>REV. No</th> <th>DESCRIPTION</th> <th>DATE</th> <th>REV. No</th> <th>DESCRIPTION</th> <th>DATE</th> </tr> </thead> <tbody> <tr> <td>1</td> <td>GENERAL</td> <td>2/12/09</td> <td>3</td> <td>-</td> <td>-</td> </tr> <tr> <td>2</td> <td>-</td> <td>-</td> <td>4</td> <td>-</td> <td>-</td> </tr> </tbody> </table>	REV. No	DESCRIPTION	DATE	REV. No	DESCRIPTION	DATE	1	GENERAL	2/12/09	3	-	-	2	-	-	4	-	-	SHEET 14 OF 14
REV. No	DESCRIPTION	DATE	REV. No	DESCRIPTION	DATE																
1	GENERAL	2/12/09	3	-	-																
2	-	-	4	-	-																