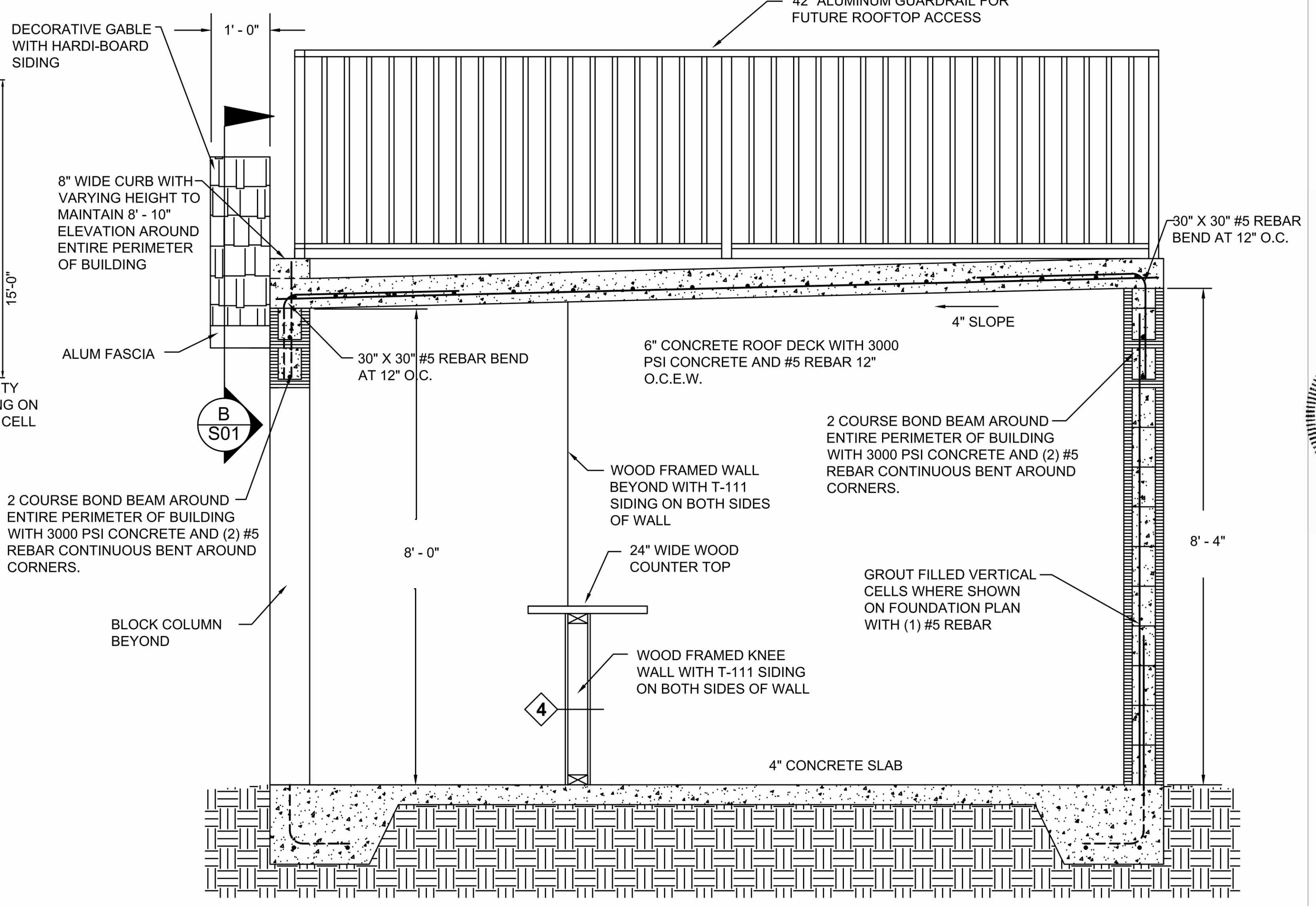


FLOOR PLAN
SCALE: 1/4" = 1'-0"



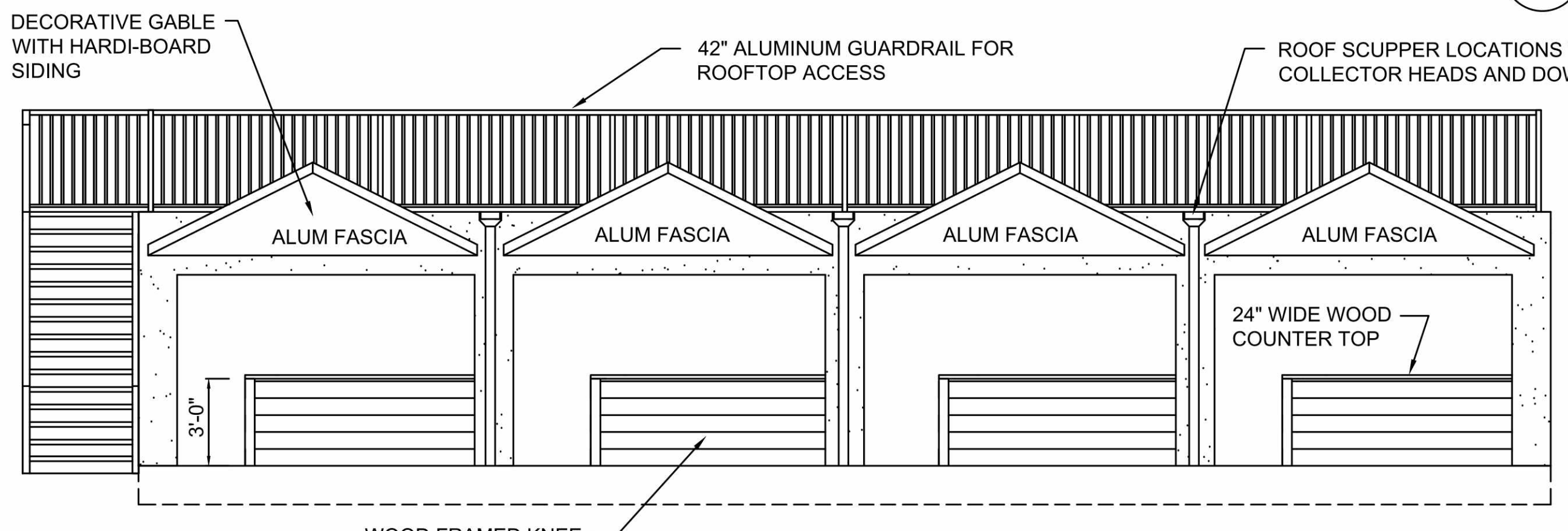
SECTION
SCALE: 3/4" = 1'-0"

GENERAL NOTES:

- ALL WORK TO BE IN ACCORDANCE WITH THE RULES AND REGULATIONS OF BREVARD COUNTY BUILDING DEPARTMENT AND FIRE PREVENTION DIVISION.
- ALL WORK TO CONFORM WITH LOCAL, STATE AND NATIONAL CODES.
- ALL WORK TO BE IN ACCORDANCE WITH ANY GOVERNMENTAL AUTHORITY HAVING JURISDICTION OVER THE PROJECT.
- ALL WORK TO BE IN ACCORDANCE WITH THE RULES AND REGULATIONS OF THE LANDLORD OR OWNER.
- CONTRACTOR TO SECURE ALL PERMITS, INSPECTIONS, ETC. INCLUDING CERTIFICATE OF OCCUPANCY.
- MECHANICAL, ELECTRICAL AND PLUMBING SUBCONTRACTORS TO BE LICENSED IN THEIR RESPECTIVE FIELDS.
- EACH SUBCONTRACTOR SHALL REPLACE AND / OR RESTORE ALL MATERIALS STORED OR INSTALLED ON THE SITE SUBJECT TO DAMAGE OR THEFT.
- CONTRACTOR TO VERIFY ALL DIMENSIONS AND CONDITIONS IN THE FIELD. IF A DISCREPANCY OCCURS, IMMEDIATELY NOTIFY THE ARCHITECT OF ANY DISCREPANCIES IN WRITING BEFORE PROCEEDING WITH WORK.
- NOTICE TO ALL SUBCONTRACTORS: EACH CONTRACTOR IS EXPECTED TO REVIEW ALL CONTRACT DOCUMENTS AS IT RELATES TO YOUR WORK. CHANGE ORDER REQUESTS WILL NOT BE APPROVED AS A RESULT OF FAILURE TO DO SO IF THE INFORMATION IS CONTAINED WITHIN THE CONTRACT DOCUMENTS. IT IS RECOMMENDED THAT YOUR BID NOT BE BASED ON PARTIAL OR INCOMPLETE INFORMATION. IT IS YOUR RESPONSIBILITY TO BID YOUR SCOPE OF WORK USING THE COMPLETE SET OF PLANS, SPECIFICATIONS AND ADDENDAS ISSUES AT THE TIME OF THE BIDDING PROCESS.
- GENERAL CONTRACTOR TO REMOVE DEBRIS GENERATED BY THE CONSTRUCTION FROM THE SITE DAILY.
- GENERAL CONTRACTOR TO PROVIDE SHOP DRAWINGS, IF REQUIRED, TO ARCHITECT FOR APPROVAL PRIOR TO ANY FABRICATION.
- GENERAL CONTRACTOR TO PROVIDE TEMPORARY SERVICES AND UTILITIES AS REQUIRED FOR THE COMPLETION OF THE PROJECT.
- COPIES OF ALL NECESSARY PERMITS AND BUILDING DEPARTMENT APPROVED DRAWINGS AND DOCUMENTS, SHALL BE AVAILABLE ON PROJECT SITE AT ALL TIMES DURING DEMOLITION AND CONSTRUCTION.

ELECTRICAL LEGEND

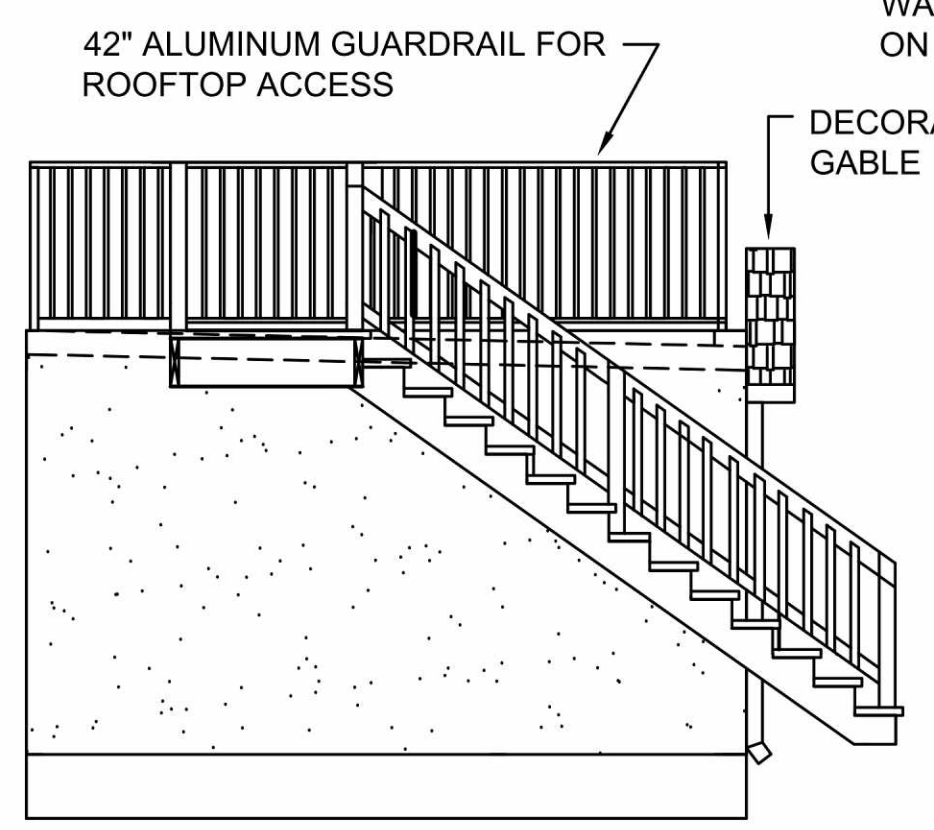
	110V GRND FAULT INT.
	110V WEATHER PROOF
	SECURITY SPOTLIGHT
	LIGHT FIXTURE
	WEATHER PROOF LIGHT
	SWITCH SINGLE POLE
	SUB PANEL (AMP)



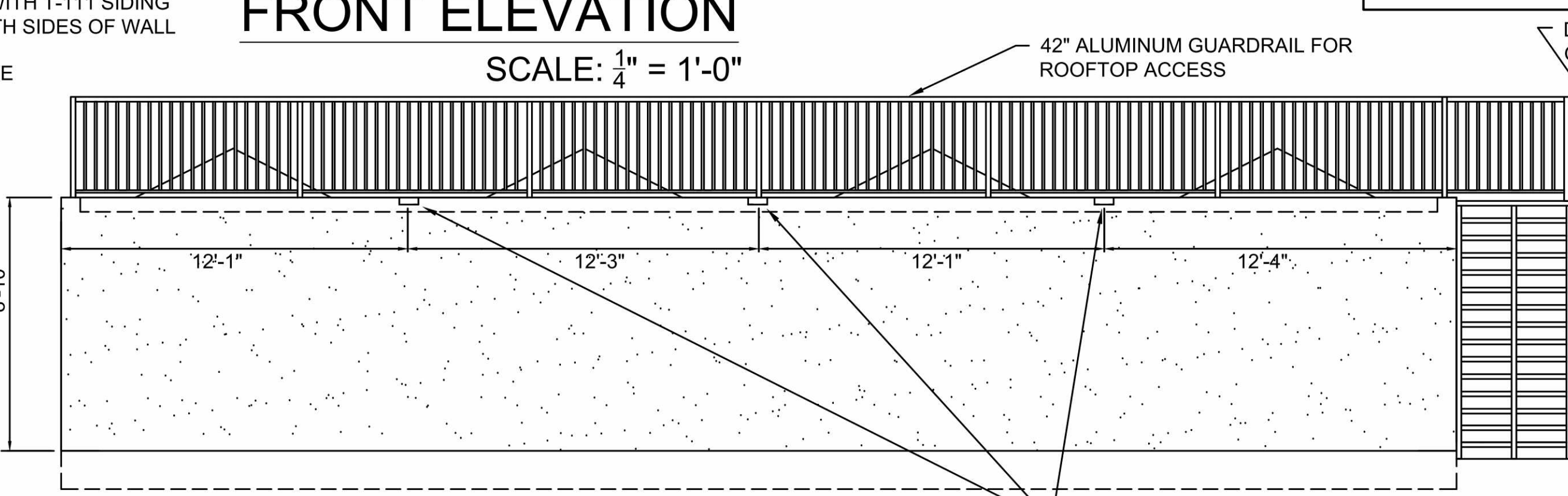
FRONT ELEVATION
SCALE: 1/4" = 1'-0"

WALL LEGEND:

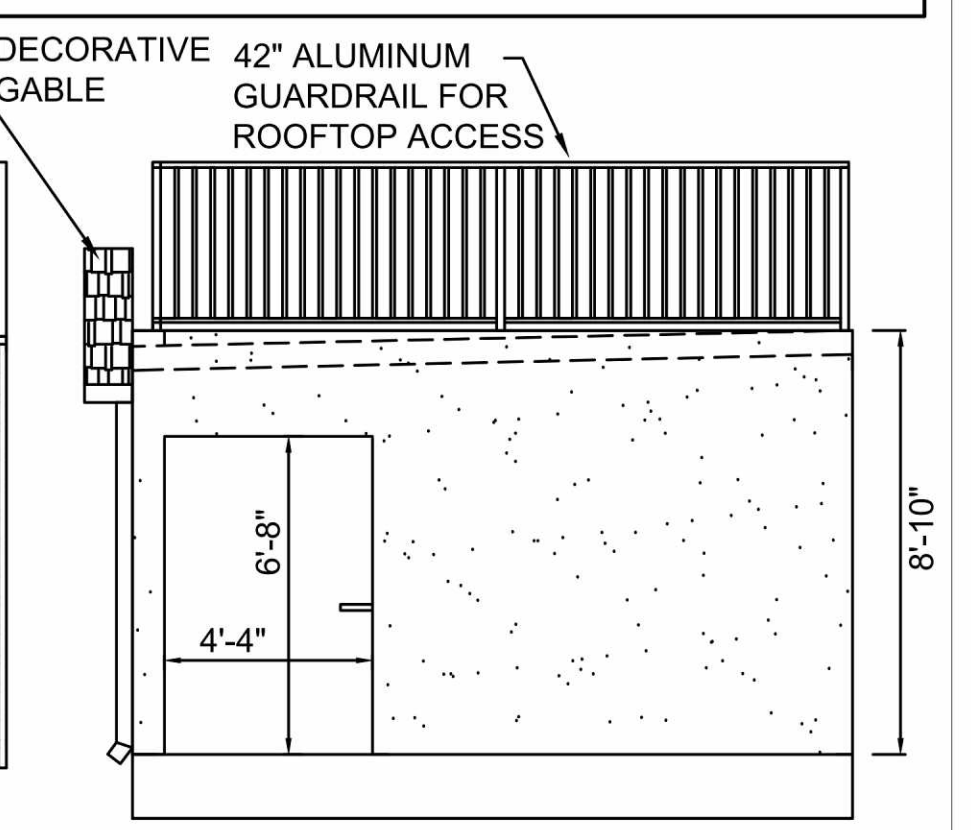
	CONCRETE MASONRY EXTERIOR WALL. PAINTED ONE SIDE.
	CONCRETE MASONRY EXTERIOR WALL. PAINTED BOTH SIDES.
	2" X 4" WOOD STUD WALL @ 16" O.C. WITH 2" X 4" PT BOTTOM PLATE, FRAMED FLOOR TO CEILING. 1/2" T-111 SIDING ON BOTH SIDES.
	2" X 4" WOOD STUD KNEE WALL @ 16" O.C. WITH 2" X 4" PT BOTTOM PLATE, FRAMED 3/4" OFF OF FLOOR. 1/2" T-111 SIDING ON BOTH SIDES.



LEFT SIDE ELEVATION
SCALE: 1/4" = 1'-0"



REAR ELEVATION
SCALE: 1/4" = 1'-0"



RIGHT SIDE ELEVATION
SCALE: 1/4" = 1'-0"

"PARTIALLY ENCLOSED" DESIGN CRITERIA

- WIND DESIGN NOTES:
CONSTRUCTION SHALL COMPLY WITH CHAPTER 16, OF THE 2014 FLORIDA BUILDING CODE REQUIREMENTS.
DESIGN CRITERIA: FULLY ENCLOSED
- BASIC WIND SPEED (Ultimate Design Wind Speed)-----150 MPH
 - RISK CATEGORY-----II
 - WIND SPEED CONVERSION (Nominal Design Wind Speed)-----116 MPH
 - WIND EXPOSURE-----"C"
 - WIND STAGNATION PRESSURE (qs)-----57.6 psf
 - NET-PRESSURE COEFFICIENT (Cnet)
 - PRESSURE COEFFICIENT FOR WALLS & ROOFS (Cnet')

CONSTRUCTION

All new construction shall comply with Chapter 16 of the 2014 Florida Building Code.

REVISIONS

PROJECT INFORMATION:
Village German Restaurant and Grill. Kiosk 1
415 Delannoy Avenue
Cocoa, FL 32922

OWNER INFORMATION:
Stephan Properties of Florida Inc.
411 Magnolia Avenue
Merritt Island, FL 32952

DRAWN BY:
J Marshall

CHECKED:
Jack Arnold

DATE:
May 30 2016

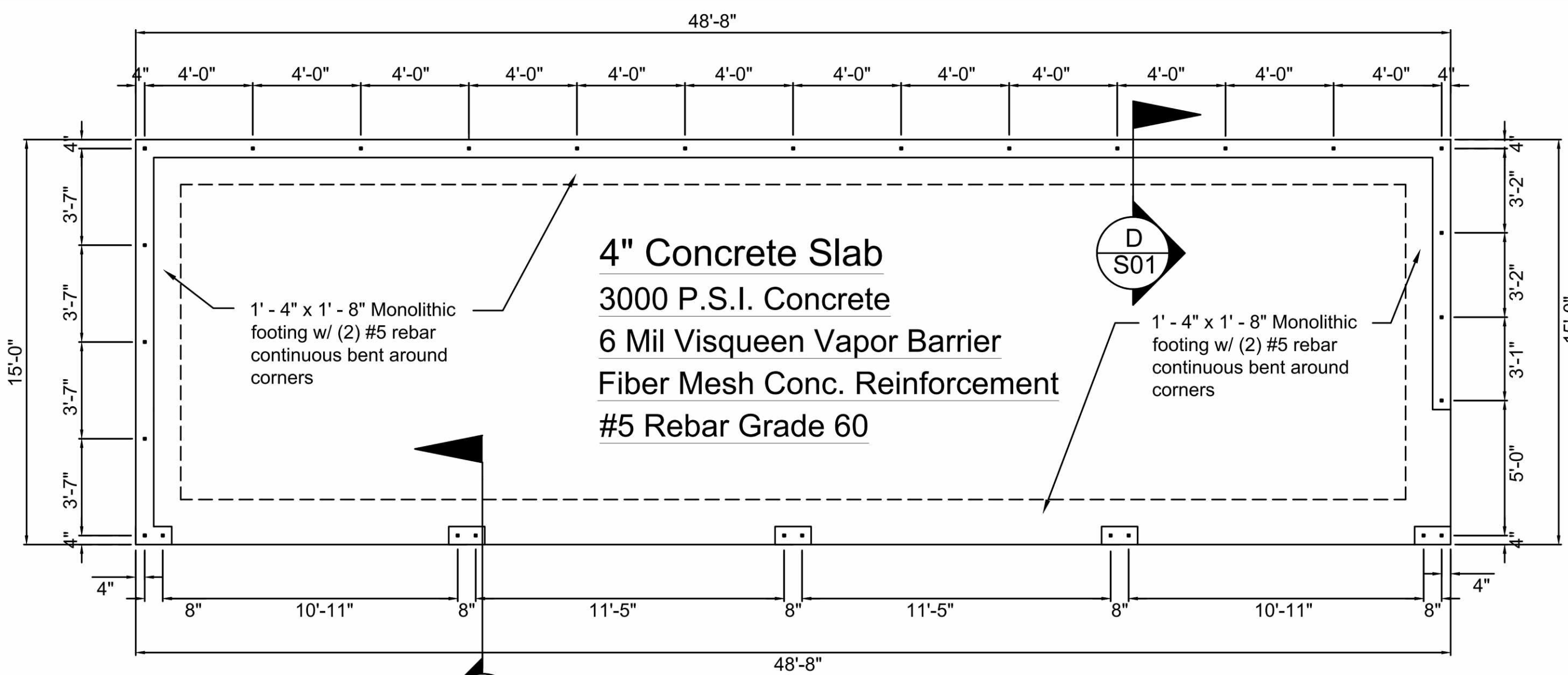
SCALE:
AS NOTED

SHEET:
A01

J C MARSHALL CONSTRUCTION

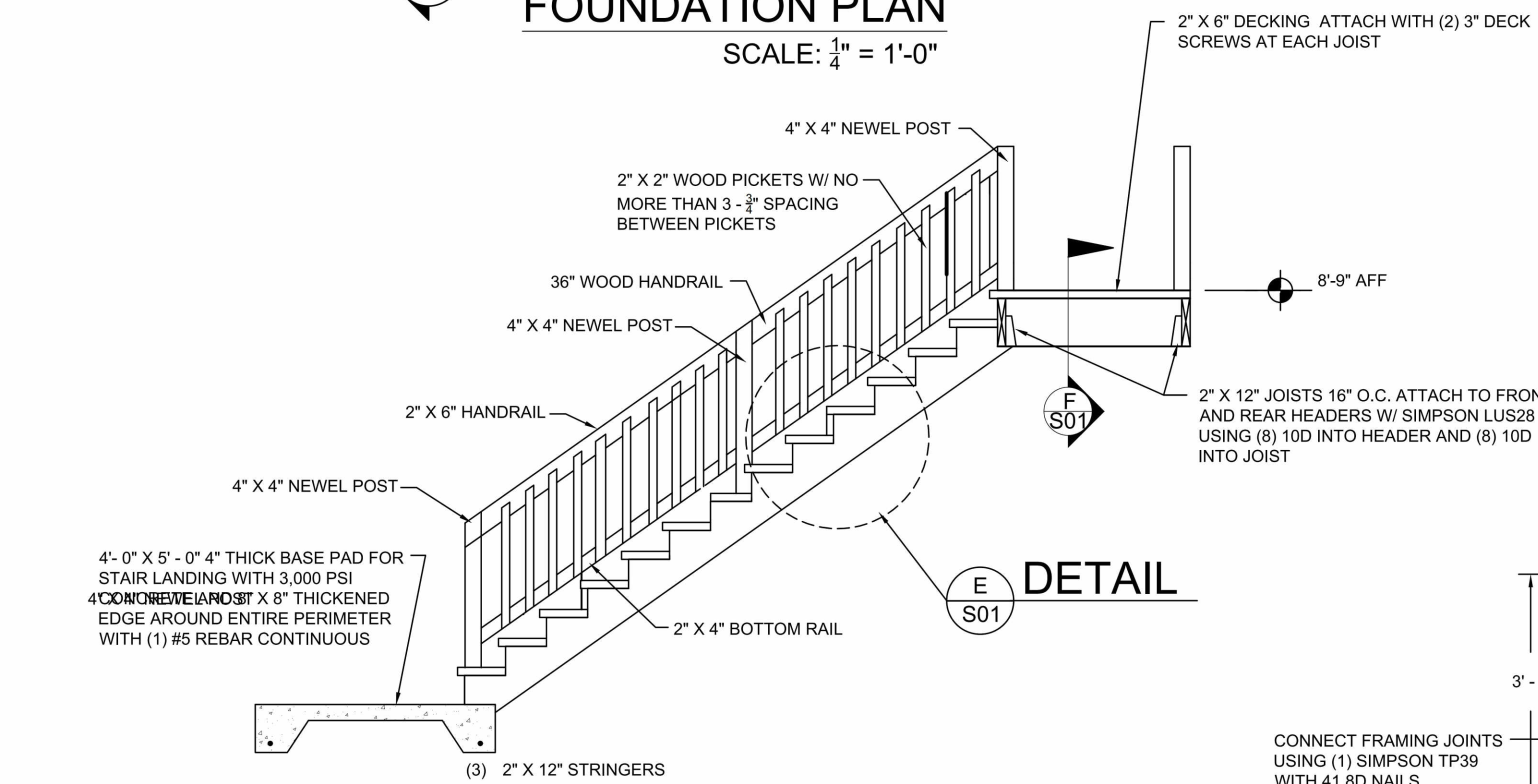
2160 Reynard Place
Merritt Island, FL 32952
Ph: 321-693-0108
info@jcmarshallconstruction.com

CIVIL / STRUCTURAL ENGINEERING
JACK N. ARNOLD, P.E.
STATE OF FLORIDA LICENSE #49093
TEL: 321-458-1150



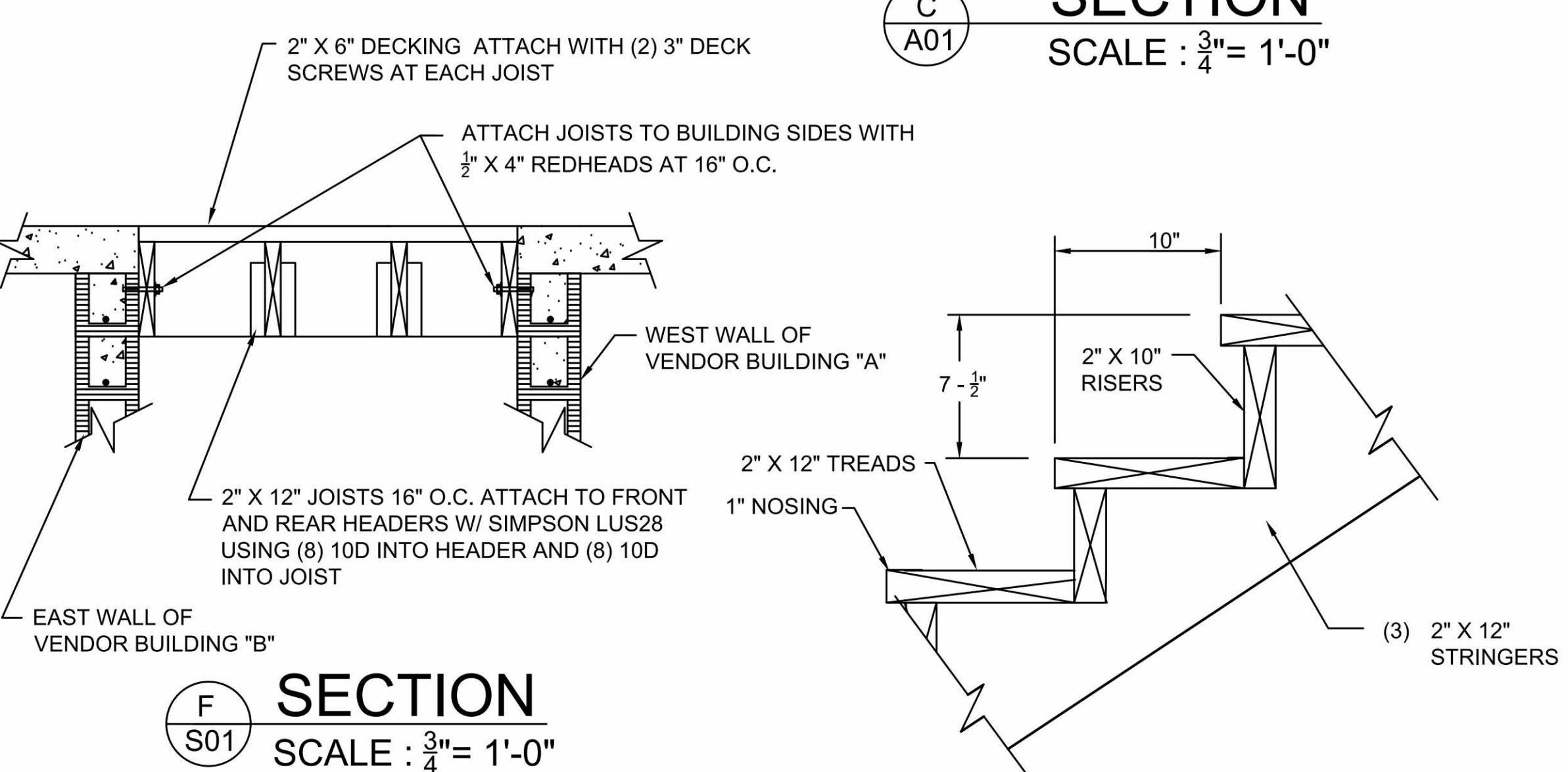
FOUNDATION PLAN

SCALE: $\frac{1}{4}'' = 1'-0''$



SECTION C

SCALE: $\frac{3}{4}'' = 1'-0''$



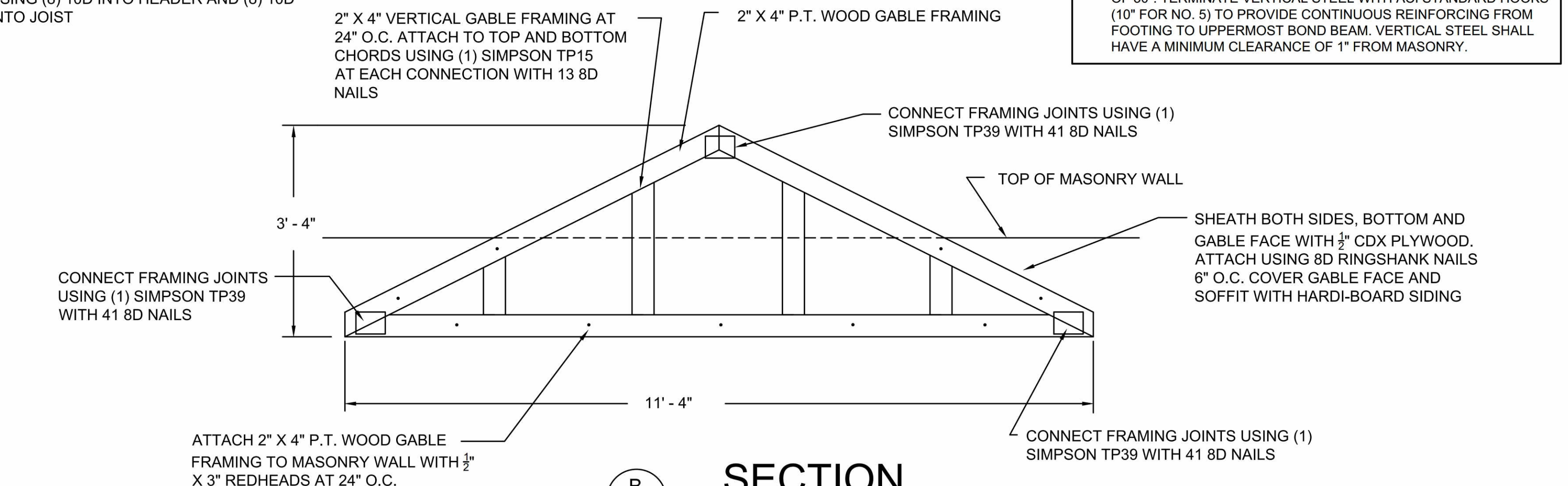
SECTION F

SCALE: $\frac{3}{4}'' = 1'-0''$



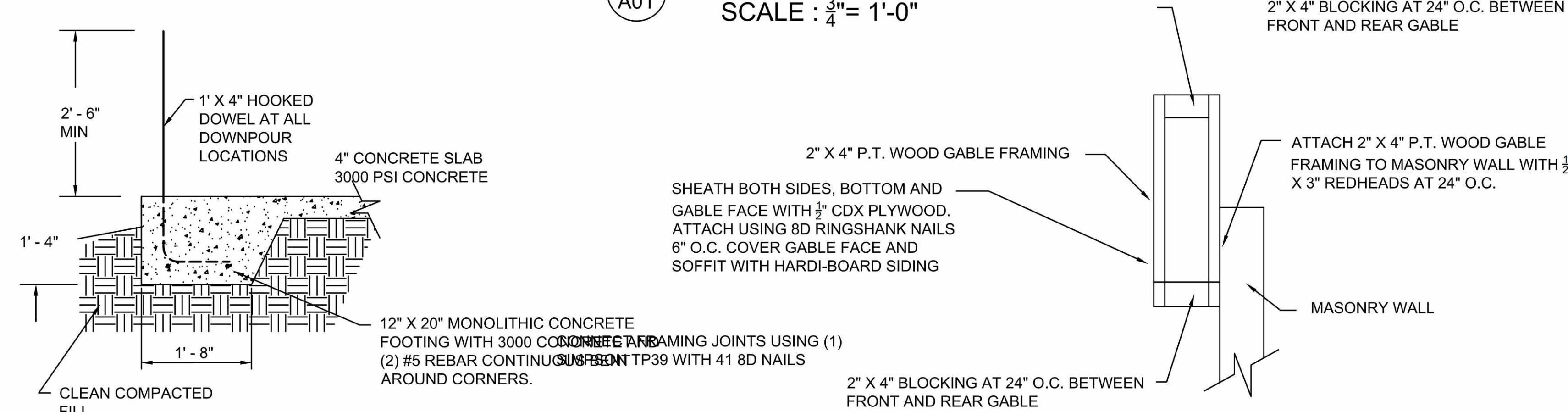
DETAIL E

SCALE: $1 - \frac{1}{2}'' = 1'-0''$



SECTION B

SCALE: $\frac{3}{4}'' = 1'-0''$



SECTION D

SCALE: $\frac{3}{4}'' = 1'-0''$

SOIL POISONING FOR TERMITE PROTECTION:

- GENERAL**
 - SCOPE:** FURNISH ALL LABOR, MATERIALS AND EQUIPMENT NECESSARY TO COMPLETE THE APPLICATION OF SOIL POISONING FOR THE TERMITE CONTROL AS SPECIFIED HEREIN.
 - CONTRACTOR'S QUALIFICATIONS:** APPLICATOR SHALL BE LICENSED IN THE STATE WHERE THE PROJECT IS LOCATED.
 - GUARANTEE:**
 - TERMITE PROTECTION TREATMENT SHALL BE GUARANTEED FOR A PERIOD OF FIVE YEARS AGAINST TERMITE INFESTATION. GUARANTEE SHALL INCLUDE ANY YEARLY RENEWAL COSTS. REPAIRS FOR TERMITE DAMAGE TO BE PAID BY TERMITE TREATMENT COMPANY.
 - AT THE OWNER'S OPTION, AT THE TERMINATION OF THE GUARANTEE, AN EXTENSION RENEWAL OF INSPECTION AND SERVICE TREATMENT SHALL BE MADE AVAILABLE TO OWNER.
- PRODUCTS**
 - SOIL POISONS APPLIED TO THE DESIGNATED AREAS SHALL BE WATER BASED EMULSIONS CONTAINING TOXICANTS IN EITHER OF THE TWO COMBINATIONS LISTED BELOW. EACH TOXICANT SHALL BE IN THE CONCENTRATION (BY WEIGHT).
 - CHLORDANE (1.0%) AND DIELDRIN (0.5%)
 - CHLORDANE (1.0%) AND HEPTACHLOR (0.16%)
- EXECUTION**
 - RESTRICTIONS:** DON NOT APPLY SOIL TREATMENT SOLUTION UNTIL EXCAVATING, FILLING AND GRADING OPERATIONS ARE COMPLETED, EXCEPT AS OTHERWISE REQUIRED IN CONSTRUCTION OPERATIONS. TO ENSURE PENETRATION, DO NOT APPLY SOIL TREATMENT TO EXCESSIVELY WET SOIL OR DURING INCLEMENT WEATHER.
 - SURFACE PREPARATION:** REMOVE FOREIGN MATTER WHICH COULD DECREASE EFFECTIVENESS OF TREATMENT ON AREAS TO BE TREATED. LOOSEN, RAKE AND LEVEL SOIL TO BE TREATED, EXCEPT PREVIOUSLY COMPACTED AREAS UNDER SLABS AND FOUNDATIONS. TOXICANTS MAY BE APPLIED BEFORE PLACEMENT OF COMPACTED FILL UNDER SLABS, IF ACCEPTABLE TO THE ARCHITECT.
 - APPLICATION RATES:** APPLY SOIL TREATMENT SOLUTION AS FOLLOWS:
 - WITHIN BUILDING AREA** WITH OR WITHOUT SLABS ON GRADE, AT THE RATE OF 1.5 GAL PER 10 SQ. FT.
 - UNDER FOUNDATIONS AND FOOTINGS** INCLUDING HORIZONTAL AND VERTICAL SURFACES OF EXCAVATIONS, AT THE RATE OF 1 GAL PER 10 SQ. FT.
 - OUTSIDE BUILDING PERIMETER** IN A STRIP AT LEAST 2' WIDE AND UNDER PORCHES, AREAWAY, APRONS, WALKS, PADS, STAIR LANDINGS OR PAVED EXTENSIONS, AT A RATE OF 1 GAL PER 5 SQ. FT. ALLOW NOT LESS THAN 12 HOURS FRO DRYING AFTER APPLICATION, BEFORE BEGINNING CONCRETE PLACEMENT OR OTHER CONSTRUCTION ACTIVITIES.
 - POST SIGNS IN THE AREAS OF APPLICATION WARNING WORKERS THAT SOIL POISONING HAS BEEN APPLIED. REMOVE SIGNS WHEN AREAS ARE COVERED BY OTHER CONSTRUCTION. RE-APPLY SOIL TREATMENT SOLUTION TO AREAS DISTURBED BY SUBSEQUENT EXCAVATION OR OTHER CONSTRUCTION ACTIVITIES FOLLOWING APPLICATION.

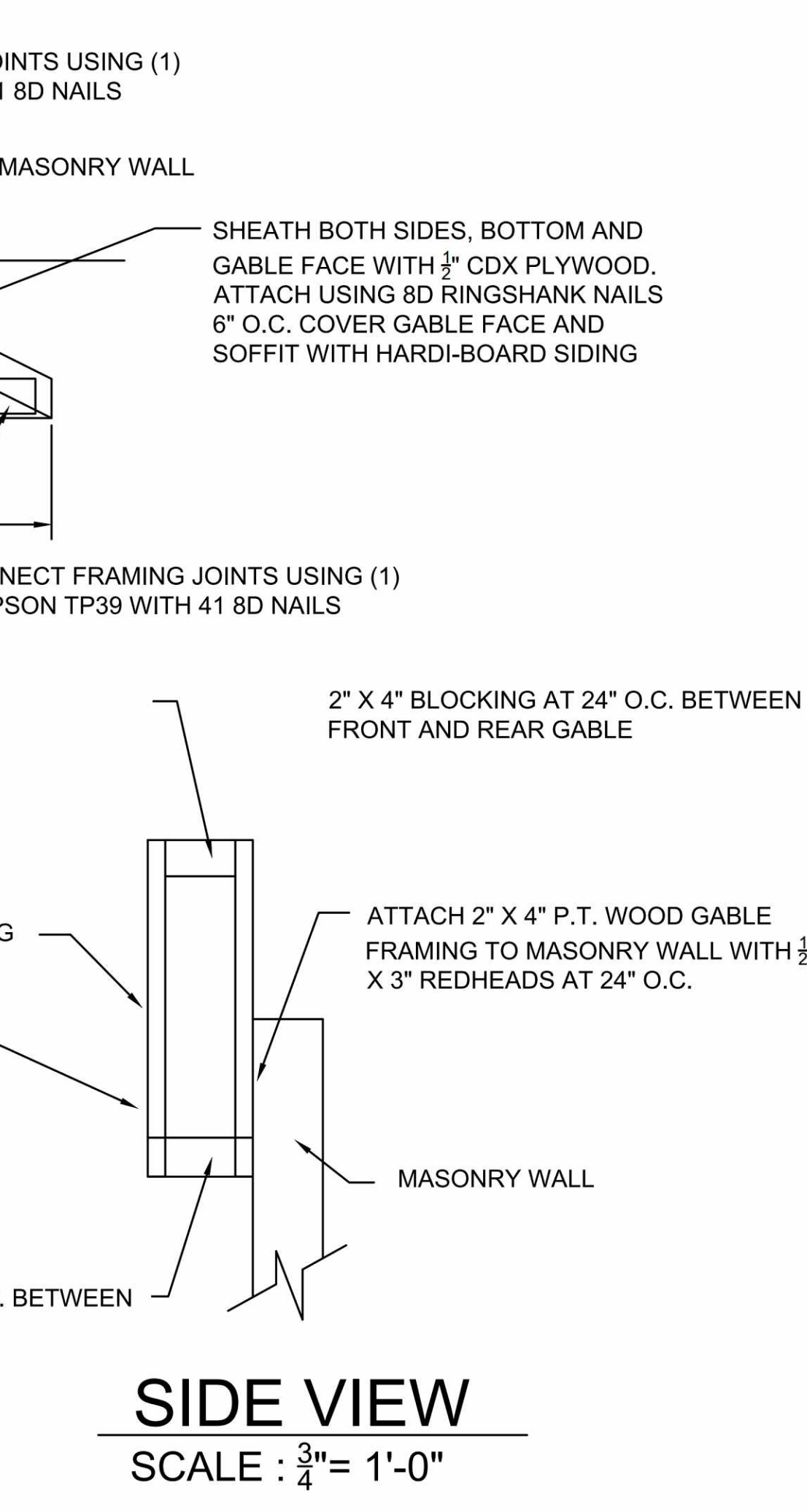
NOTE: ALL SLAB TRENCHING SHALL RECEIVE TREATMENT PROTECTION AGAINST SUBTERRANEAN TERMITES. A CERTIFICATE OF COMPLIANCE SHALL BE ISSUED TO THE BUILDING DIVISION BY THE LICENSED PEST CONTROL COMPANY THAT CONTAINS THE FOLLOWING STATEMENT: "THE TRENCHING HAS RECEIVED A COMPLETE TREATMENT FOR THE PREVENTION OF SUBTERRANEAN TERMITES. TREATMENT IS IN ACCORDANCE WITH THE RULES AND LAES ESTABLISHED BY THE FLORIDA DEPARTMENT OF AGRICULTURE AND CONSUMER SERVICES. FBC 1816"

CONCRETE NOTES:

- ALL CONCRETE CONSTRUCTION, WORKMANSHIP AND MATERIALS SHALL COMPLY WITH ALL APPLICABLE CODES AND STANDARDS.
- ALL CONCRETE SHALL BE TYPE I OR II PORTLAND CEMENT COMPLYING WITH ASTM C150 AND SHALL HAVE COMPRESSIVE STRENGTH OF 3000 PSI UNLESS NOTED OTHERWISE.
- ALL REINFORCING STEEL SHALL BE DEFORMED BARS FREE OF COATINGS THAT SHALL REDUCE CONCRETE ADHESION IN ACCORDANCE WITH THE 2010 FLORIDA BUILDING CODE.
- ALL CONCRETE REINFORCEMENT SHALL BE DETAILED, FABRICATED, LABELED, SUPPORTED AND SPACED IN FORMS AND SECURED IN PLACE IN ACCORDANCE WITH ACI 315 "DETAILS AND DETAILING OF CONCRETE REINFORCEMENT".
- ALL BAR SPLICES, DOWELS AND CONCRETE COVERAGE SHALL MEET THE REQUIREMENTS OF ACI 318 / 318R "BUILDING CODE AND COMMENTARY FOR REINFORCED CONCRETE".
- CALCIUM CHLORIDE SHALL NOT BE USED IN ANY FORM.
- UNLESS OTHERWISE PERMITTED OR SPECIFIED, CONCRETE SHALL BE PROPORTIONED AND PRODUCED TO HAVE A SLUMP OF 4 INCHES +/- 1 INCH.

MASONRY NOTES:

- ALL MASONRY CONSTRUCTION, WORKMANSHIP AND MATERIALS SHALL CONFORM TO "SPECIFICATION FOR MASONRY STRUCTURES ACI 530.1 - 92 / ASCE 5 - 92".
- COURSE GROUT (SIZE 8) SHALL BE USED CONFORMING TO THE REQUIREMENTS OF ASTM C476 "STANDARD SPECIFICATIONS FOR GROUT AND REINFORCED AND NON-REINFORCED MASONRY".
- CONCRETE MASONRY SHALL BE NORMAL WEIGHT, GRADE N, TYPE I OR II, CONFORMING WITH ASTM C90 "STANDARD SPECIFICATIONS FOR HOLLOW LOAD BEARING CONCRETE MASONRY UNITS".
- THE COMPRESSIVE STRENGTH OF MASONRY UNITS SHALL BE 2000 PSI USING TYPE N OR S MORTAR.
- THICKNESS OF MORTAR BED SHALL NOT EXCEED $\frac{3}{8}''$.
- MASONRY REINFORCING STEEL BARS SHALL BE CONTINUOUS WITH A LAP SPLICE OF 48 BAR DIAMETERS MIN.
- THE CONTRACTOR IS RESPONSIBLE TO ENSURE THAT ALL MASONRY STRUCTURAL ELEMENTS ARE ADEQUATELY BRACED TO RESIST WIND, BACKFILLING, SOIL COMPACTION AND OTHER NATURAL AND CONSTRUCTION FORCES OCCURRING DURING CONSTRUCTION. BRACING SHALL REMAIN IN PLACE UNTIL THE STRUCTURE IS COMPLETED.
- MASONRY GROUT SHALL BE PROPORTIONED AND PRODUCED TO HAVE A SLUMP BETWEEN 8 AND 11 INCHES.
- WHEN GROUT POURS EXCEED 5 FEET IN HEIGHT, PROVIDE A CLEAN-OUT HOLE AT THE BOTTOM OF THE CELL. CLEAN THE CELL BY REMOVING ALL MORTAR DEBRIS, LOOSE AGGREGATES AND ANY MATERIAL DELETERIOUS TO MASONRY GROUT. INSTALL AND SECURELY TIE THE VERTICAL STEEL REINFORCEMENTS TOGETHER. CLOSE THE OPENING AFTER INSPECTION.
- CONCRETE REINFORCING BARS SHALL CONFORM TO ASTM A-615 GRADE 60. DETAIL, FABRICATE AND INSTALL REINFORCING PER REQUIREMENTS OF ACI - 318.
- PROVIDE CORNER BARS AT INTERSECTION OF FOOTING THE SAME SIZE AS SPECIFIED REINFORCING WITH MINIMUM LAP OF 30". TERMINATE VERTICAL STEEL WITH ACI STANDARD HOOKS (10" FOR NO. 5) TO PROVIDE CONTINUOUS REINFORCING FROM FOOTING TO UPPERMOST BOND BEAM. VERTICAL STEEL SHALL HAVE A MINIMUM CLEARANCE OF 1" FROM MASONRY.



SIDE VIEW

SCALE: $\frac{3}{4}'' = 1'-0''$

REVISIONS

J C MARSHALL CONSTRUCTION

2160 Reynard Place
Merritt Island, FL 32952
Ph: 321-693-0108
info@jcmarshallconstruction.com

Village German Restaurant and Grill. Kiosk 1

415 Delannoy Avenue
Cocoa, FL 32922

Stephan Properties of Florida Inc.

411 Magnolia Avenue
Merritt Island, FL 32952

DRAWN BY: **J Marshall**

CHECKED: **Jack Arnold**

DATE: **May 30 2016**

SCALE: **AS NOTED**

SHEET: **S01**