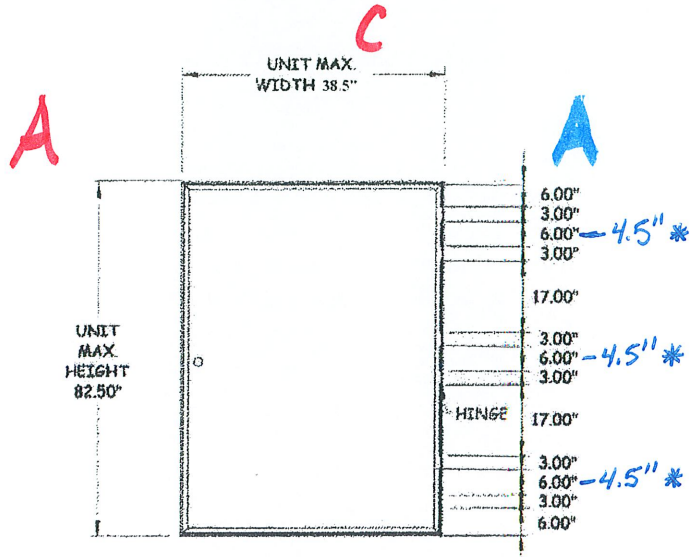


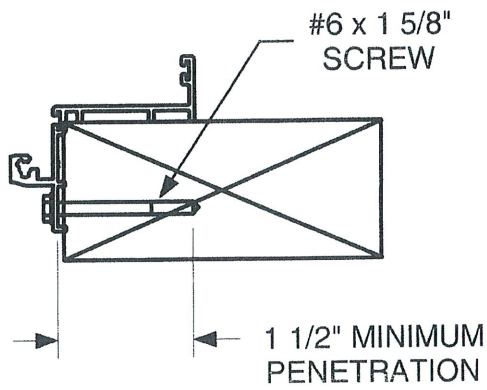
INSTALLATION METHOD
POCAHONTAS ALUMINUM CO.
100 DD DOOR

D

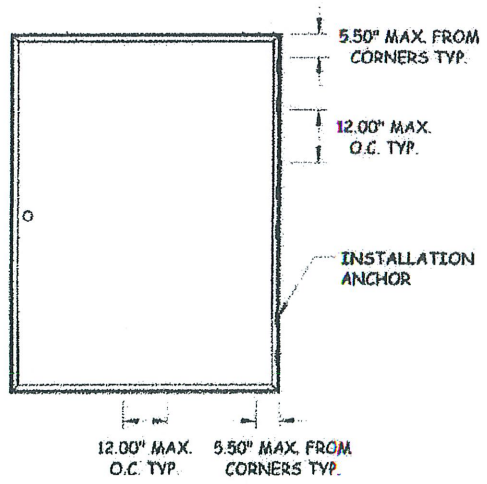


ELEVATION
EXTERIOR VIEW

B



D



F

ANCHOR LAYOUT

EAGAN
 EAGAN MANUFACTURING, INC.
 602 EAGAN ROAD
 BLACK ROCK, AR 72415
 PH: (800) 835-3002 FX: (970) 879-6380

PH: (407) 644-6957 FX: (407) 644-2365
 127 W. FAIRBANKS AVE., STE. 438
 WINTER PARK, FL 32789
 CERTWORKS, LLC
 PREPARED BY:

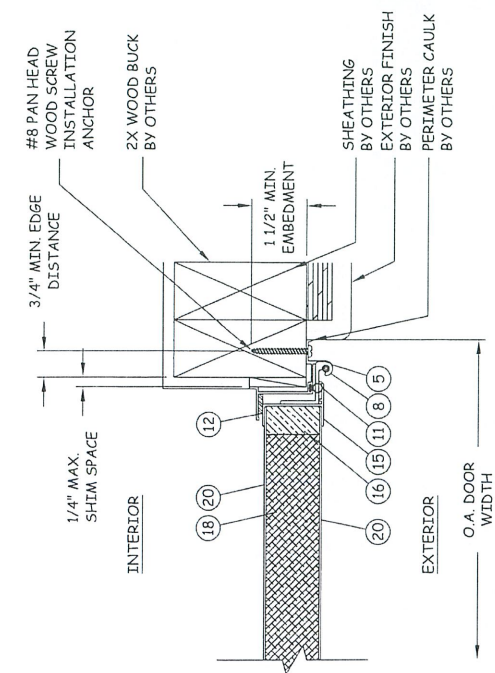
TITLE:
 SINGLE & DOUBLE DOOR
 VERTICAL SECTIONS

NO	DESCRIPTION	BY	DATE

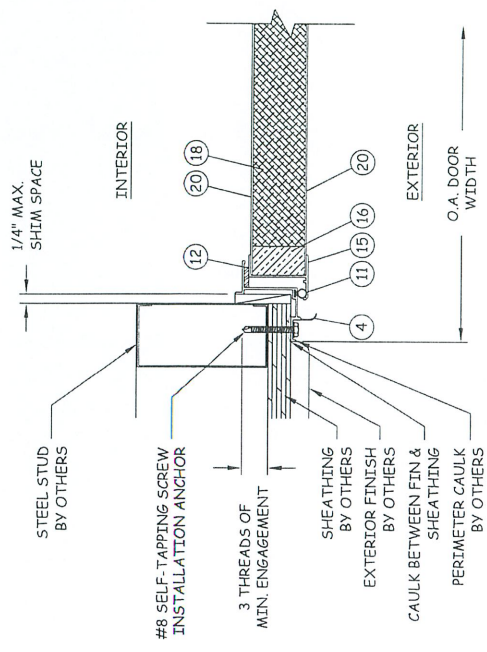
DATE: 07.10.09
 DWG # EAM006
 SHEET: 3 OF 4

SCALE: NTS
 CHK BY: JLR
 DWN BY: JLR

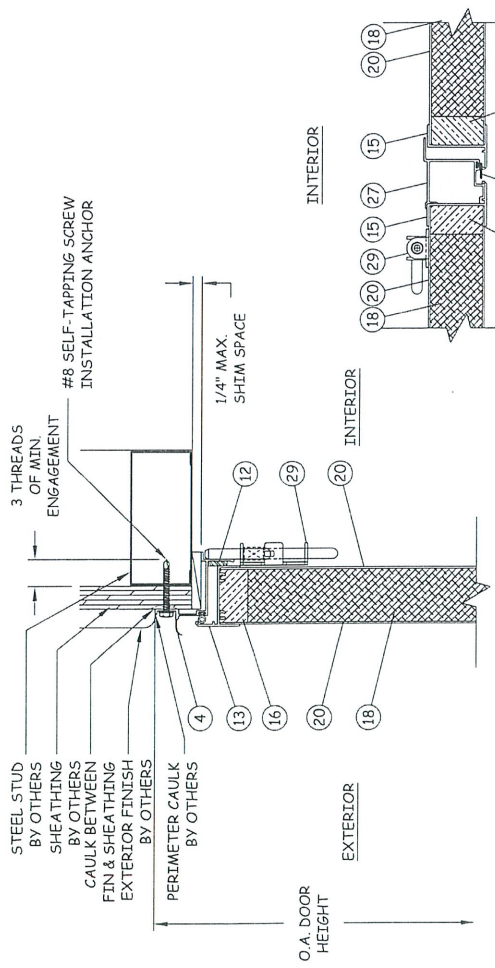
7-18-09



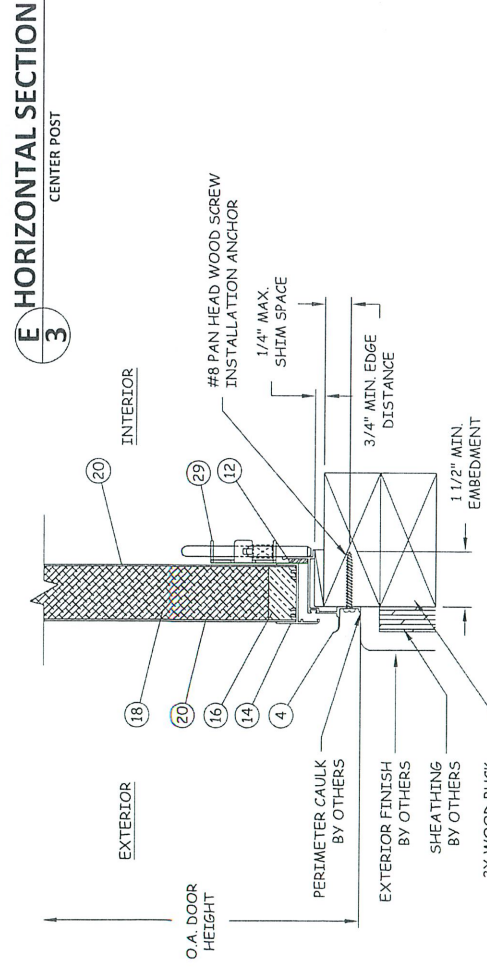
D HORIZONTAL SECTION
3 JAMB HINGE SIDE - 2X WOOD FRAME



C HORIZONTAL SECTION
3 JAMB LOCK SIDE - STEEL STUD



B VERTICAL SECTION
3 HEAD - STEEL STUD



A VERTICAL SECTION
3 SILL - 2X WOOD FRAME

E HORIZONTAL SECTION
3 CENTER POST