

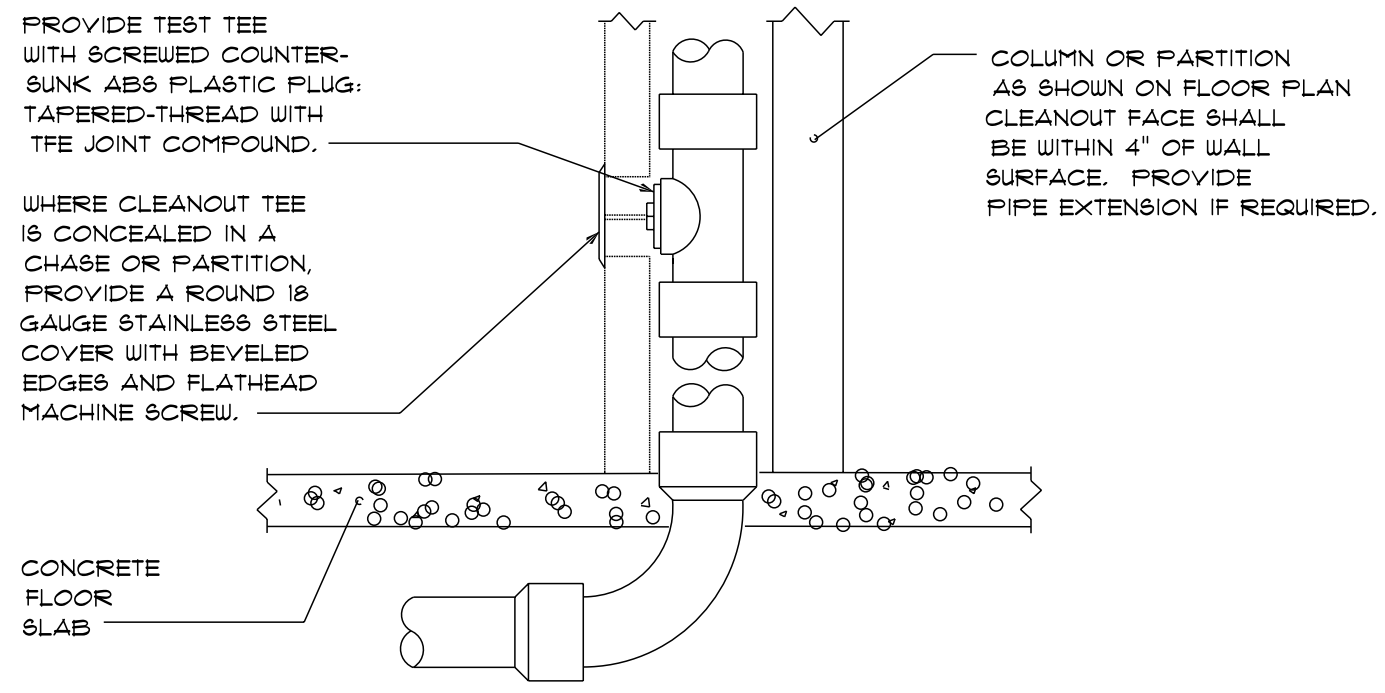
PLUMBING FIXTURE SCHEDULE

LAV	LAVATORY, AMERICAN STANDARD *0491.019 RONDALYN COUNTER TOP, FAUCET, SLOAN POLARIS 8L-2711 SINGLE LEVER HANDLE W/ET 460 A GRID DRAIN.
LAV	LAVATORY, AMERICAN STANDARD DECLYN WALL HUNG *0321.075 WHITE WITH SLOAN POLARIS 8L-2711 FAUCET, CONTRACTOR TO SUPPLY CONCEALED ARM SUPPORT CARRIER FOR MOUNTING OF LAVATORY. WADE MODEL * 520-M36.
HLAV	HANDICAP LAVATORY, AMERICAN STANDARD, DECLYN WALL HUNG LAVATORY MODEL *0321.075, WHITE, WITH SLOAN POLARIS FAUCET #8L-2711. CONTRACTOR TO SUPPLY CONCEALED ARM SUPPORT CARRIER FOR MOUNTING OF LAV. WADE MODEL * 520-M36. SUPPLY PLUMBEREX MODEL * 4333 INSULATION KIT. MUST MEET A.D.A. CODE.
WC	WATER CLOSET, AMERICAN STANDARD 2333.100 FLOOR MOUNTED, WHITE CENTOCO SEAT * 500CC, OPEN FRONT WITH COVER, A.D.A EL 1.6 ELONGATED OR EQUAL.
WC	WATER CLOSET, FLUSH VALVE BOWL, FLOOR MOUNTED, SIFON JET ACTION VITREOUS CHINA, ELONGATED RIM AND 1/2" TOP SPUD, AMERICAN STANDARD 2234.015 MADERA AQUAMETER, 1.6 GPF TOILET WITH A SLOAN ROYAL #111 FLUSH VALVE AND A CENTOCO #500CC OPEN FRONT SEAT LESS COVER.
WC	WATER CLOSET, FLUSH VALVE BOWL, WALL MOUNTED, SIFON JET ACTION VITREOUS CHINA, ELONGATED RIM AND 1/2" TOP SPUD, AMERICAN STANDARD #221.103, 1.6 GPF TOILET WITH A SLOAN ROYAL #111 FLUSH VALVE AND A CENTOCO #500CC OPEN FRONT SEAT LESS COVER.
HWC	HANDICAP WATER CLOSET, AMERICAN STANDARD #2311.100 FLOOR MOUNTED, WHITE, CENTOCO SEAT #500CC, OPEN FRONT WITH COVER, A.D.A EL 1.6 ELONGATED 18" HIGH OR EQUAL.
HWC	HANDICAP WATER CLOSET - FLUSH VALVE BOWL, FLOOR MOUNTED, SIFON JET, VITREOUS CHINA WITH ELONGATED RIM AND 1/2" TOP SPUD, AMERICAN STANDARD #3043.102 ELDERLY NEW CADET AQUAMETER, 1.6 GPF TOILET WITH SLOAN ROYAL #111 FLUSH VALVE AND A CENTOCO #500CC OPEN FRONT SEAT LESS COVER.
HWC	HANDICAPPED WATER CLOSET, FLUSH VALVE BOWL, WALL MOUNTED, SIFON JET ACTION VITREOUS, CHINA ELONGATED RIM AND 1/2" TOP SPUD, AMERICAN STANDARD #221.103, 1.6 GPF TOILET WITH A SLOAN ROYAL #111 FLUSH VALVE AND A CENTOCO #500CC OPEN FRONT SEAT LESS COVER.
UR	URINAL AMERICAN STANDARD, WASHBROOK #6301.010, FLUSH VALVE SLOAN ROYAL #186-1, WALL MOUNTED, WHITE URINAL, WALL CARRIER, WADE * 400A#111-M36. MUST MEET A.D.A. CODE.
HUR	URINAL AMERICAN STANDARD, ALLBROOK #6841.132, FLUSH VALVE, SLOAN ROYAL #186-1, WALL MOUNTED, WHITE URINAL, WALL CARRIER, WADE * 400A#111-M36. MUST MEET A.D.A. CODE.
SH	SHOWER, MIXING VALVE HOT AND COLD WATER, SHOWER MIXING VALVE SHALL BE A SYMONS TEMPTROL 2000 MODEL #25-300-B-30-LR-V ANTI-SCALD PRESSURE BALANCED SHOWER VALVE TO INCLUDE A 2.5 GPM FLOW RESTRICTOR AND INTEGRAL SERVICE STOPS.
HSH	HANDICAPPED SHOWER, MIXING VALVE HOT AND COLD WATER, SHOWER MIXING VALVE SHALL BE A SYMONS TEMPTROL 2000 MODEL #25-300-B-30-LR-V ANTI-SCALD PRESSURE BALANCED SHOWER VALVE TO INCLUDE A 2.5 GPM FLOW RESTRICTOR AND INTEGRAL SERVICE STOPS.
FD	FLOOR DRAIN, WADE MODEL * 1103-TY-6TD5.
SK	SINGLE STAINLESS STEEL SINK, 25 X 22 DAYTON MODEL #K-1252 WITH A SLOAN POLARIS FAUCET * 8L-2866 KITCHEN 5-9/16" SPREAD GOOSENECK WITH 4" WRIST BLADE FAUCET HANDLES.
BAR SK	BAR SINK, STAINLESS STEEL, 15 X 15 DAYTON MODEL KP2-11515-6 WITH SLOAN POLARIS FAUCET * 8L-0892 KITCHEN 2-3/4" SPREAD GOOSENECK WITH 4" BLADE HANDLES.
SK-2	(2) COMPARTMENT SINK DAYTON BY ELKAY #D23322 8/8 SINK, SLOAN POLARIS FAUCET * 8L-1111 WITH RETRACTABLE SPRAY.
SK-2	(2) COMPARTMENT SINK DAYTON BY ELKAY #D23322 8/8 SINK, SLOAN POLARIS FAUCET * 8L-2866 KITCHEN 5 9/16" SPREAD GOOSENECK WITH 4" BLADE HANDLES.
MOP SK	STERN WILLIAMS MODEL * MTB-3624-BP MOLDED TERRAZZO BASIN WITH DRAIN BODY AND STRAINER. STERN WILLIAMS FAUCET MODEL #T-10-VB, CAST BRASS SUPPLY, FITTINGS, 3/4" HOSE COUPLING DISCHARGE, PAIL HOOK AND TOP BRACE, VACUUM BREAKER, T-40 MOP HANGER AND BP SPLASH CATCHER/WALL GUARD.
DF	DRINKING FOUNTAIN, SUNROC MODEL * ADA-8-8G-UF1, WALL MOUNTED BARRIER FREE, WADE 420AM11-M36 CARRIER AS REQUIRED, 115V, 4.5A, MOUNTED AT STANDARD HEIGHT OR A 36" ABOVE FINISHED FLOOR TO TOP OF BUBBLER FOR HDOP APPLICATION, MUST MEET A.D.A. CODE.
HDF	HANDICAP DRINKING FOUNTAIN, SUNROC MODEL * ADA-8-8G-UF1, WALL MOUNTED BARRIER FREE, WADE 420AM11-M36 CARRIER AS REQUIRED, 115V, 5.1A, MUST MEET A.D.A. CODE.
HDF/DF	HANDICAP/DRINKING FOUNTAIN, SUNROC BI-LEVEL WALL MOUNTED BARRIER FREE MODEL * ADA-8-BL-8G-UF1, 1.8 GPH, WADE 440-AM11-M36 CARRIER AS REQUIRED, 115V, 4.5 A, MUST MEET A.D.A. CODE.
RD	ROOF DRAIN, WADE 3000-52-53, AE EXTENSION AS REQUIRED.
FCO	FINISHED FLOOR CLEANOUT, WADE MODEL * 6000-TY.
WCO	WALL CLEANOUT, WADE MODEL * 8590 TAPPED PLUG WITH 848OR.
FILTER	WATER FILTER, AQUA-PURE FILTER "GRAINGER" STOCK * 3PT12, COMPLETE WITH FAUCET.
GD	FOOD WASTE DISPOSAL, "ISE", "GRAINGER" STOCK * 5H504, 1/2 HP, 115V.
WH	TANKLESS WATER HEATER SHALL BE BOSCH "POWERSTAR" MODEL * AEB.5, 208V, 1 PHASE, 3.5 KW.
BWH	WATER HEATER SHALL BE 30 GAL. ELECTRIC 208V, 1 PHASE, 4.5 KW. LOCHINVAR TALL MODEL ETJ-030-KK.
RECIRC PUMP	TACO RECIRC. PUMP, MODEL III BRONZE CASTING, 115V, 1/8 HP, 2.0 AMP WITH "OO" TIMER AQUSTAT.
C.D. PUMP	CONDENSATE PUMP SHALL BE LITTLE GIANT MODEL VCMX-20UL6-C 1/30 HP, 115V, 60 Hz, 93W. PUMP SHALL BE SUPPLIED WITH EXTERNAL OVERFLOW SAFETY SWITCH TO SHUTDOWN AIR HANDLER.

GENERAL NOTES:
 (1) - FIXTURES SHALL BE AS SHOWN OR EQUAL.
 (2) - ALL FIXTURES SHALL COMPLY WITH TABLE 604.4 OF FBC 2010
 (3) - ALL FIXTURE TRIM PACKAGES INCLUDING BUT NOT LIMITED TO TRAP, ANGLE STOP, FLUSH VALVE, SUPPLY TUBES, AND CLEANOUT COVER PLATES SHALL BE OF THE SAME FINISH AS THE ABOVE SPECIFIED FAUCET AND PER ARCHITECTURAL FINISH SCHEDULE.
 (4) - ALL FIXTURES SHALL BE ROUGHED IN PER MANUFACTURER CUT SHEET TO MAINTAIN UNIFORMITY.

PLUMBING LEGEND

CO	CLEAN OUT	---	SANITARY SEWER PIPING
S.O.V.	SHUT-OFF VALVE	---	VENT PIPING
COTC	CLEAN OUT TO GRADE	---	DOMESTIC COLD WATER PIPING
FS	FLOOR SINK	---	HOT WATER PIPING (110°)
CW	DOMESTIC COLD WATER	---	HOT WATER PIPING (140°)
HW	DOMESTIC HOT WATER	---	HOT WATER RECIRCULATING PIPING
HUR	DOMESTIC HOT WATER RECIRCULATING	CD	CONDENSATE PIPING
HB	HOSE BIBB	CA	COMPRESSED AIR PIPING
VTR	VENT THRU ROOF	TRP	TEMPERATURE AND PRESSURE RELIEF
X	GATE VALVE	SD	STORM DRAIN PIPING
GLOBE VALVE	GLOBE VALVE	G	GAS PIPING
CHECK VALVE	CHECK VALVE	FR	PIPE RISE UP
GAS SOLENOID VALVE	GAS SOLENOID VALVE	FD	PIPE DOWN OR DROP
GAS COCK	GAS COCK	CE	CAPPED END OF PIPE
WATER HAMMER ARRESTER (PDI No.)	WATER HAMMER ARRESTER (PDI No.)	PC	POINT OF CONNECTION
FD	FLOOR DRAIN	PT	P-TRAP



NOTE:
 PROVIDE WCO WHERE SHOWN ON PLAN, AND ON SANITARY WASTE BRANCHES NOT SERVED WITH A FLOOR CLEANOUT; LOCATE ABOVE FIXTURE FLOOR RIM WITHIN 4" OF FLOOR. CONSULT LOCAL CODES FOR OTHER WCO REQUIREMENTS.

WALL CLEANOUT DETAIL

SHOCK ARRESTOR SCHEDULE

P.D.I. DESIGNATION	MANUF. # MODEL	FIXTURE UNITS	CONNECTION
A	SIoux CHIEF 652-A	1-11	1/2"
B	SIoux CHIEF 653-B	12-32	3/4"
C	SIoux CHIEF 654-C	33-60	1"

SIoux CHIEF SHOCK ARRESTORS APPROVED FOR INSTALLATION WITH NO ACCESS DOOR REQUIRED. CONFORMS TO ANSI/AISSE 1010 STANDARDS.

SLOPE OF HORIZ. DRAINAGE PIPE

SIZE (Inches)	MINIMUM SLOPE (Inch per foot)
2-1/2 or less	1/4
3 to 6	1/8
8 or larger	1/16

TABLE 704.1 OF THE FLORIDA PLUMBING CODE 2010

PLUMBING SHEET INDEX

SHEET#	DESCRIPTION
P-1	PLUMBING NOTES, LEGENDS, DETAILS, AND FIXTURE SCHEDULE
P-2	SANITARY PLAN, SANITARY RISER
P-3	DOMESTIC WATER PLAN, DOMESTIC RISER

PLUMBING NOTES

- ALL WORKMANSHIP AND MATERIALS SHALL BE IN STRICT ACCORDANCE WITH FBC 2010, APPLICABLE LOCAL CODES, RULES AND ORDINANCES.
- PLUMBING CONTRACTOR SHALL VISIT THE JOB SITE AND THOROUGHLY FAMILIARIZE HIMSELF WITH ALL EXISTING CONDITIONS.
- ALL MATERIALS SHALL BE NEW.
- ALL WORK SHALL BE PERFORMED BY A LICENSED PLUMBING CONTRACTOR IN A FIRST CLASS WORKMANLIKE MANNER. THE COMPLETED SYSTEM SHALL BE FULLY OPERATIVE. ALL EXCAVATION AND BACKFILL AS REQUIRED FOR THIS PHASE OF CONSTRUCTION SHALL BE A PART OF THIS CONTRACT.
- REQUIRED INSURANCE SHALL BE PROVIDED BY THE PLUMBING CONTRACTOR FOR PROTECTION AGAINST PUBLIC LIABILITY AND PROPERTY DAMAGE FOR THE DURATION OF THE WORK.
- PLUMBING CONTRACTOR SHALL SECURE AND PAY FOR ALL PERMITS, FEES, INSPECTION AND TESTS, PLUMBING CONTRACTOR TO OBTAIN PERMIT AND APPROVED SUBMITTALS PRIOR TO BEGINNING WORK OR ORDERING EQUIPMENT. PLUMBING CONTRACTOR MUST BE PRESENT FOR ALL INSPECTIONS OF HIS WORK BY REGULATORY AUTHORITIES.
- DRAWINGS ARE DIAGRAMMATIC. DO NOT SCALE FOR THE EXACT LOCATION OF FIXTURES, PIPING, EQUIPMENT, ETC.
- ALL WORK SHALL BE COORDINATED WITH OTHER TRADES TO AVOID INTERFERENCE WITH THE PROGRESS OF CONSTRUCTION. REPORT ANY DISCREPANCY TO ENGINEER/ARCHITECT PRIOR TO BEGINNING CONSTRUCTION.
- VERIFY LOCATION, SIZE, DIRECTION OF FLOW AND INVERTS OF ALL EXISTING UTILITIES PRIOR TO BEGINNING OF CONSTRUCTION. ADVISE ENGINEER OF ANY DISCREPANCIES.
- WATER DISTRIBUTION PIPING ABOVE AND BELOW GROUND SHALL BE TYPE "L" COPPER. COORDINATE WITH LOCAL JURISDICTION FOR ADDITIONAL REQUIREMENTS. PROVIDE ALTERNATE FOR CPVC PIPING EQUAL TO BFGOODRICH "FLOWGUARD GOLD" FOR WATER KNOWN OR DETERMINED TO HAVE ACIDIC CHARACTERISTICS. CONTRACTOR SHALL PERFORM A WATER TEST TO DETERMINE WATER CHEMISTRY PRIOR TO ANY WORK OR PIPING INSTALLATION AND SHALL SUBMIT TEST RESULTS TO ENGINEER FOR REVIEW AND APPROVAL.
- SOIL WASTE, VENT AND RAINWATER PIPING SHALL BE CAST IRON OR PVC, WHERE CODE ALLOWS. PVC MAY NOT BE USED THRU RATED ASSEMBLIES OR IN PLENUMS.
- ALL FIXTURES MUST BE PROVIDED WITH READILY ACCESSIBLE STOPS AND APPROPRIATELY MARKED ACCESS PANELS. COORDINATE LOCATIONS WITH GENERAL CONTRACTOR PRIOR TO INSTALLATION.
- FURNISH AND INSTALL APPROVED WATER HAMMER ARRESTORS FOR ALL (GROUP) PLUMBING FIXTURES, SIZED AND LOCATED PER MANUF.'S INSTALLATION INSTRUCTIONS AND WH-PDI 201.
- DIELECTRIC COUPLINGS ARE REQUIRED BETWEEN ALL DISSIMILAR METAL IN PIPING AND EQUIPMENT CONNECTIONS.
- ISOLATE COPPER PIPE FROM HANGER OR SUPPORTS WITH ISOLATOR PADS OR MATERIAL.
- ALL FIRE RATED FLOOR AND WALL PENETRATIONS SHALL BE PROPERLY PROTECTED FROM FIRE, SMOKE AND WATER PENETRATION BY FILLING VOIDS BETWEEN PIPE AND WALL/FLOOR SLEEVES WITH FIRE RATED FOAM TO ACHIEVE THE SAME RATING AS WALLS OR FLOORS AS PART OF THE PLUMBER'S WORK.
- PLUMBING CONTRACTOR SHALL GUARANTEE ALL MATERIALS AND WORKMANSHIP FREE FROM DEFECTS FOR A PERIOD OF NOT LESS THAN ONE (1) YEAR FROM DATE OF ACCEPTANCE BY OWNER. CORRECTION OF ANY DEFECTS SHALL BE COMPLETED WITHOUT ADDITIONAL CHARGE AND SHALL INCLUDE REPLACEMENT OR REPAIR OF ANY OTHER PHASE OF THE INSTALLATION WHICH MAY HAVE BEEN DAMAGED.
- PROVIDE ACCESS PANELS FOR ALL CONCEALED VALVES AND ALL WATER HAMMER ARRESTORS. ACCESS PANELS IN RATED WALLS MUST MAINTAIN THE SAME RATING AND MUST MATCH THE FINISH OF THE WALL IN WHICH IT IS INSTALLED.
- PROVIDE COMBINATION COVER PLATE AND CLEANOUT PLUG OR ACCESS PANEL FOR ALL WALL CLEANOUTS FINISH TO MATCH FIXTURE TRIM.
- NO COMBUSTIBLE MATERIAL TO BE USED IN MECHANICAL ROOMS OR IN CEILING SPACES WHERE USED AS RETURN AIR PLENUMS.
- NO WATER, SANITARY OR DRAINAGE PIPING PERMITTED IN ELECTRICAL OR ELEVATOR EQUIPMENT ROOMS.
- ALL CONTROL VALVES SHALL BE TAGGED AND MARKED. A REPRODUCIBLE DIAGRAM LOCATING ALL VALVES SHALL BE PROVIDED FOR OWNER/OPERATOR.
- ALL CONDENSATE DRAIN PIPING SHALL BE TYPE "L" COPPER WITH ARMAFLEX INSULATION PER TABLE 411 F.B.C. 2010 WHERE USED IN A RETURN AIR PLENUM. PVC PIPING WITH ARMAFLEX INSULATION MAY BE USED IN LOCATIONS WHERE ALLOWED BY LOCAL CODES. SEE PLUMBING DRAWINGS FOR SIZE AND LOCATION OF PIPING.
- CONDENSATE LINES SHALL NOT DRAIN ON THE ROOFING SYSTEM OR ANY OF ITS COMPONENTS AND CONDENSATE LINES NEED NOT COMPLY WITH MIN. CLEARANCE REQUIREMENTS PER FBC 2010, PAR. 1522.3.5
- PROVIDE ANGLE STOPS ON ALL WATER SERVICE LINES TO FIXTURES FOR INDIVIDUAL SHUT-OFF.
- PROVIDE TRAP PRIMER FOR ALL FLOOR DRAINS, FLOOR SINKS, AND HUB DRAINS SHOWN ON PLANS. IF SPECIFICATION IS NOT PROVIDED, SUPPLY PRECISION PLUMBING PRODUCTS MODEL #PR-500. INSTALL PER MANUFACTURER'S RECOMMENDATIONS.
- WATER PIPING INSULATION SHALL BE ARMAFLEX OR EQUAL INSTALLED IN ACCORDANCE WITH MANUFACTURER'S INSTRUCTIONS FOR ALL HOT WATER PIPING. WHERE DOMESTIC WATER TEMPERATURES CAN CAUSE SWEATING ALL COLD WATER PIPING SHALL BE INSULATED WITH ARMAFLEX INSULATION, THICKNESS AS PER TABLE 4-11 OF FLORIDA ENERGY CODE.
- STUDOR MINI/MAXI AIR ADMITTANCE VALVES MAY BE USED AS AN ALTERNATE TO VENT PIPING THRU ROOF WHERE ACCEPTABLE BY THE PLUMBING OFFICIAL AND LOCAL CODES. INSTALLATION SHALL BE AS PER MANUFACTURER'S RECOMMENDATIONS.
- ALL HORIZONTAL RAINWATER PIPING THE RECEIVES CONDENSATE DISCHARGE FROM AIR CONDITIONING EQUIPMENT SHALL BE INSULATED WITH 1" THK. ARMAFLEX.
- PLUMBING PLANS IN GENERAL, ARE DIAGRAMMATIC IN NATURE, AND ARE TO BE READ IN CONJUNCTION WITH ARCHITECTURAL, MECHANICAL, ELECTRICAL, FIRE SPRINKLER, STRUCTURAL AND CIVIL PLANS AND SHALL BE CONSIDERED AS ONE SET OF DOCUMENTS. PIPING MODIFICATIONS SUCH AS OFFSETS, BENDS, TRANSITIONS, AND SIZES SHALL BE REQUIRED TO PROVIDE AND INSTALL A COMPLETE FUNCTIONAL SYSTEM AND SHALL BE PROVIDED BY THE CONTRACTOR AT NO ADDITIONAL COST TO THE OWNER. CHANGES IN PIPE SIZES AND ROUTING SHALL BE REQUIRED BY THE CONTRACTOR TO AVOID CONFLICTS AND TO ADAPT TO EXISTING FIELD CONDITIONS PROVIDED THAT INSTALLATION MEETS ALL APPLICABLE CODES.
- SUPPLY TRAP PRIMER FOR ALL FLOOR DRAINS, FLOOR SINKS, HUB DRAINS, ETC. SHOWN ON PLANS.

WRITTEN DIMENSIONS ON THESE DOCUMENTS SHALL TAKE PRECEDENCE OVER ALL SCALED DIMENSIONS. CONTRACTOR IS TO VERIFY AND BE RESPONSIBLE FOR ALL DIMENSIONS, SETBACKS & CONDITIONS AT THE JOB SITE. ENGINEER/DESIGNER SHALL BE NOTIFIED OF ANY VARIATIONS IN DIMENSIONS, SETBACKS AND/OR CONDITIONS BEFORE SAID CONSTRUCTION IS AUTHORIZED. SHOP DRAWINGS SHALL BE MARKED "REVIEWED BY THE ENGINEER/DESIGNER" BEFORE FABRICATION OF PARTS IS APPROVED.

PLUMBING CERTIFICATION:
 PER MY REVIEW THESE PLANS FOR THE PROPOSED RENOVATIONS ARE IN ACCORDANCE WITH THE FLORIDA PLUMBING AND ALL APPLICABLE LOCAL CODES HAVING JURISDICTION.

BY: _____ CONTRACTOR PRINTED NAME
 _____ SIGNATURE
 _____ FLORIDA LICENSE NUMBER

SHEET DETAILS

- PLUMBING NOTES
- PLUMBING LEGEND
- FIXTURE SCHEDULE
- CLEAN-OUT DETAIL
- ARRESTOR SCHEDULE

REVISION DATE:
 10/05/2015

CLIENT:
 MCHARDY INVESTMENTS
 432 SE MLK BLVD
 STUART, FL 34994
 PIN# 04-38-41-015-009-00010-0

PROJECT:
 M.C.'S GRILLE
 &
 OFFICE

DRAWN
 S.M.K.
CHECKED
 JK
DATE
 April 18, 2014
SCALE
 AS NOTED
JOB NO.
 MCH-2013-48

SHEET
 P-1