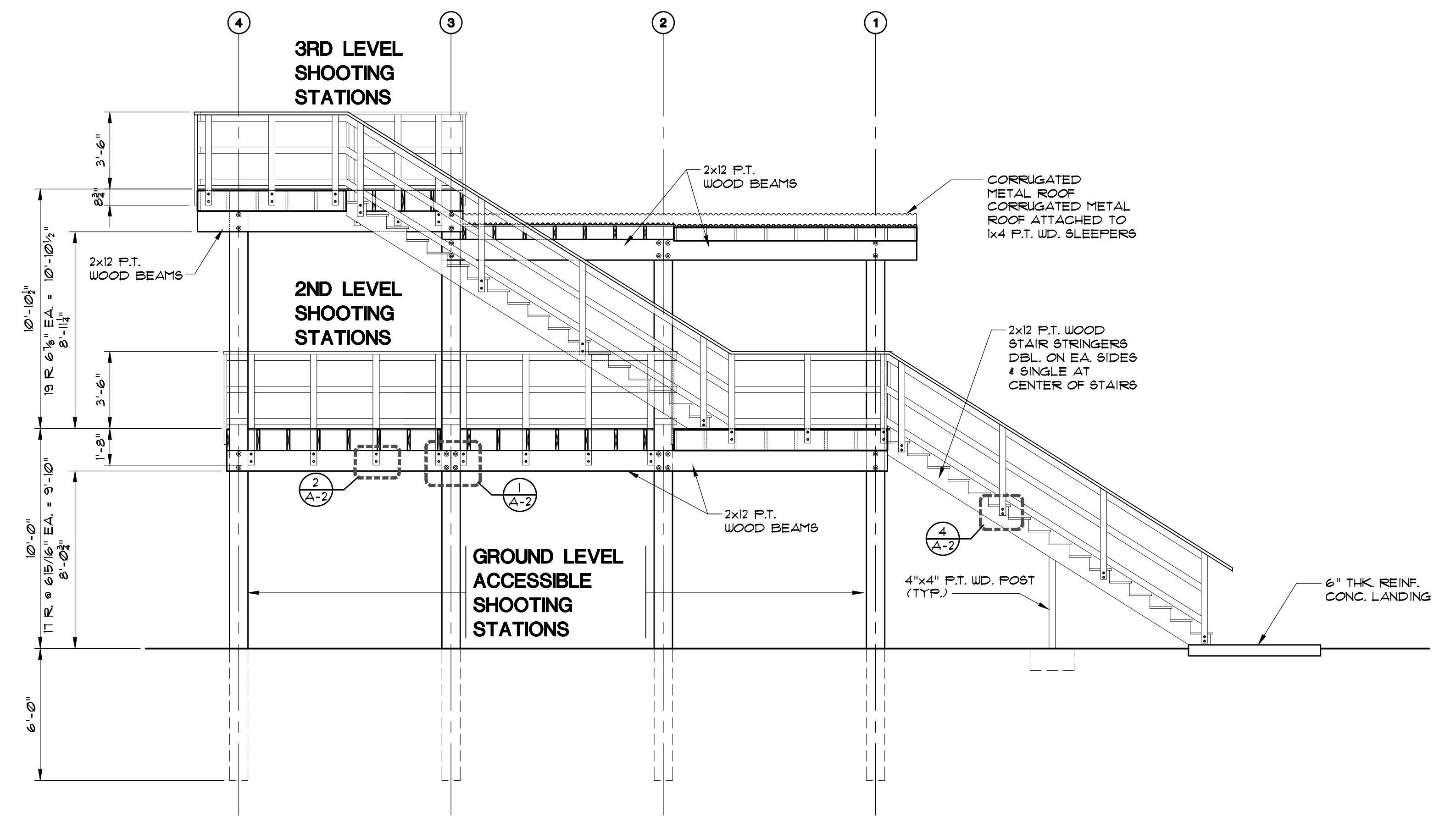
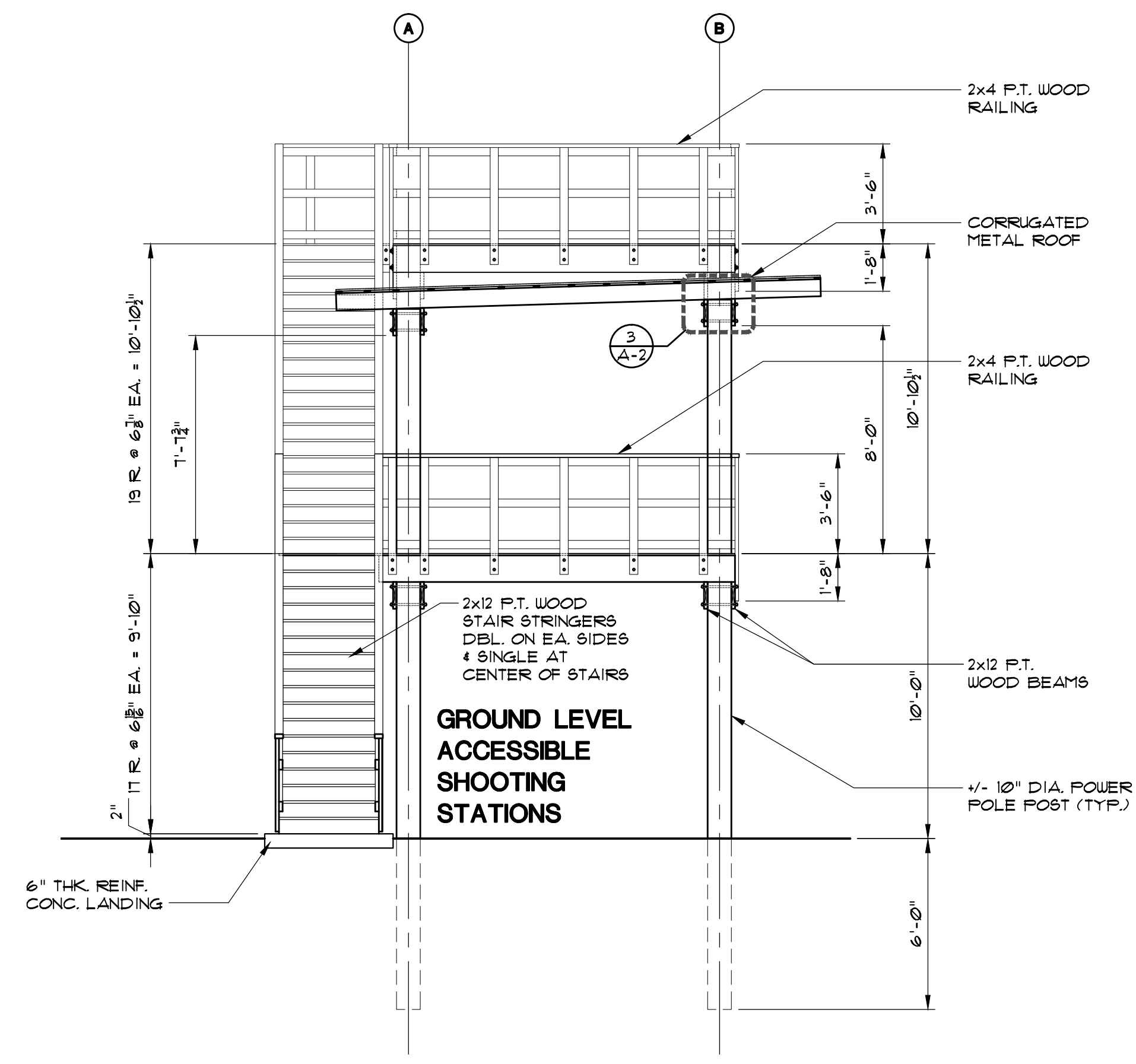


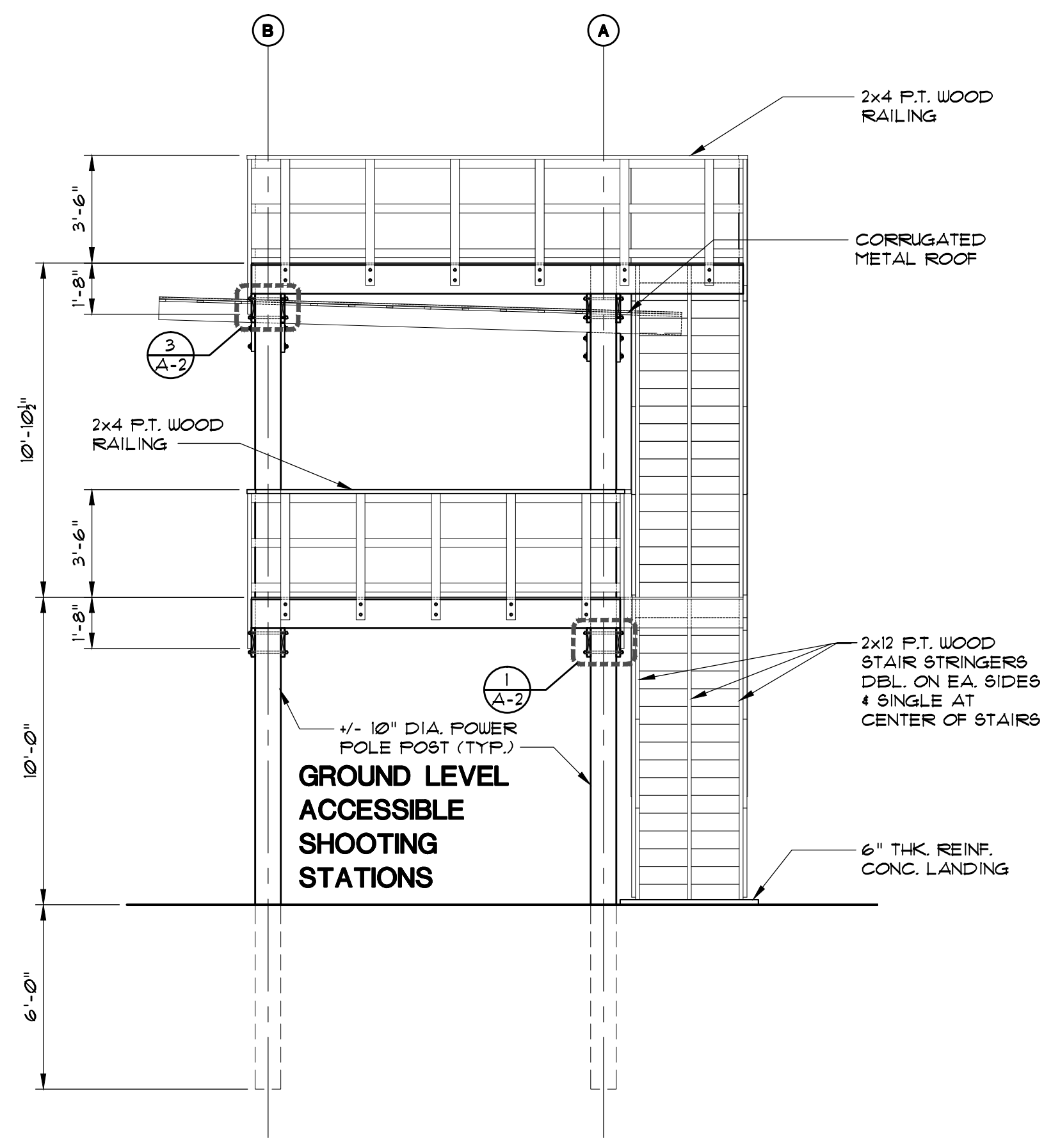
**STAND - 7
FRONT ELEVATION**
SCALE: 1/4" = 1'-0"



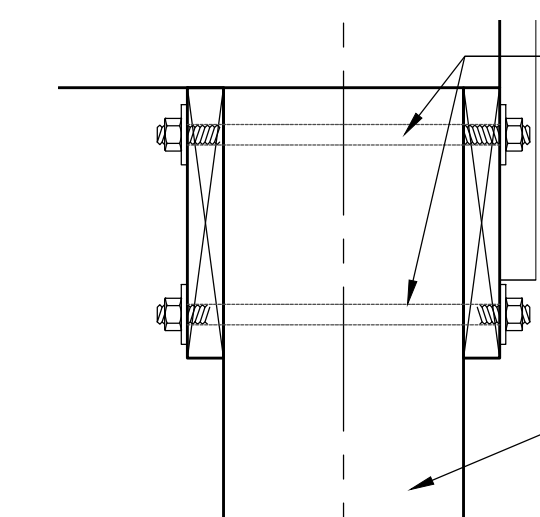
**STAND - 7
REAR ELEVATION**
SCALE: 1/4" = 1'-0"



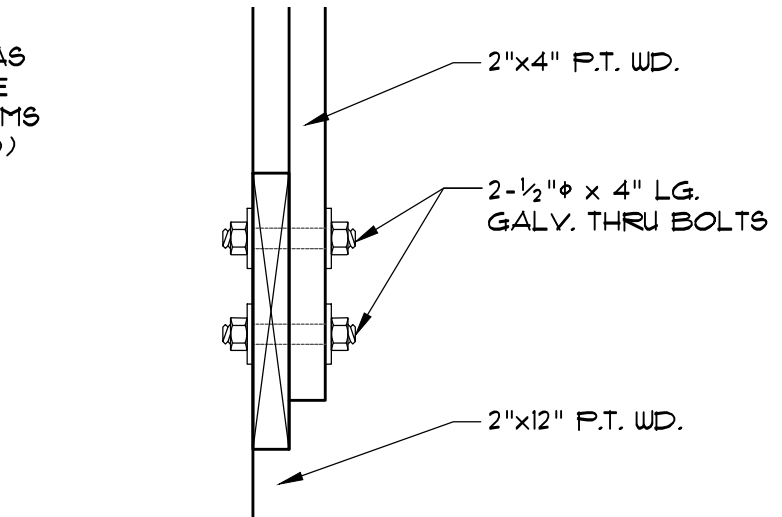
**STAND - 7
LEFT SIDE ELEVATION**
SCALE: 1/4" = 1'-0"



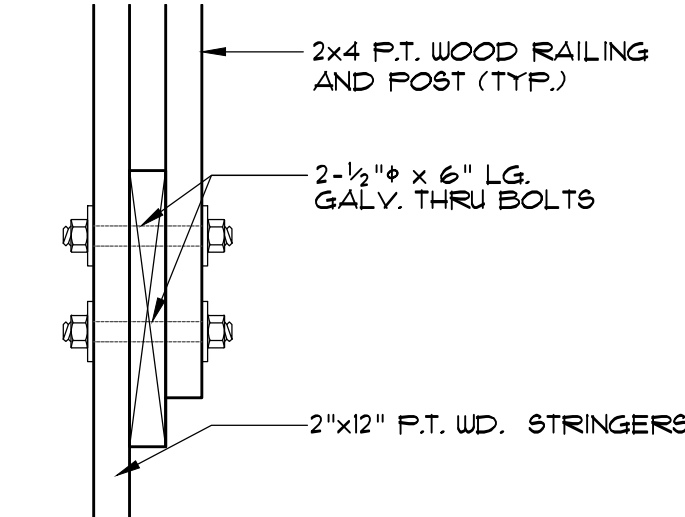
**STAND - 7
RIGHT SIDE ELEVATION**
SCALE: 1/4" = 1'-0"



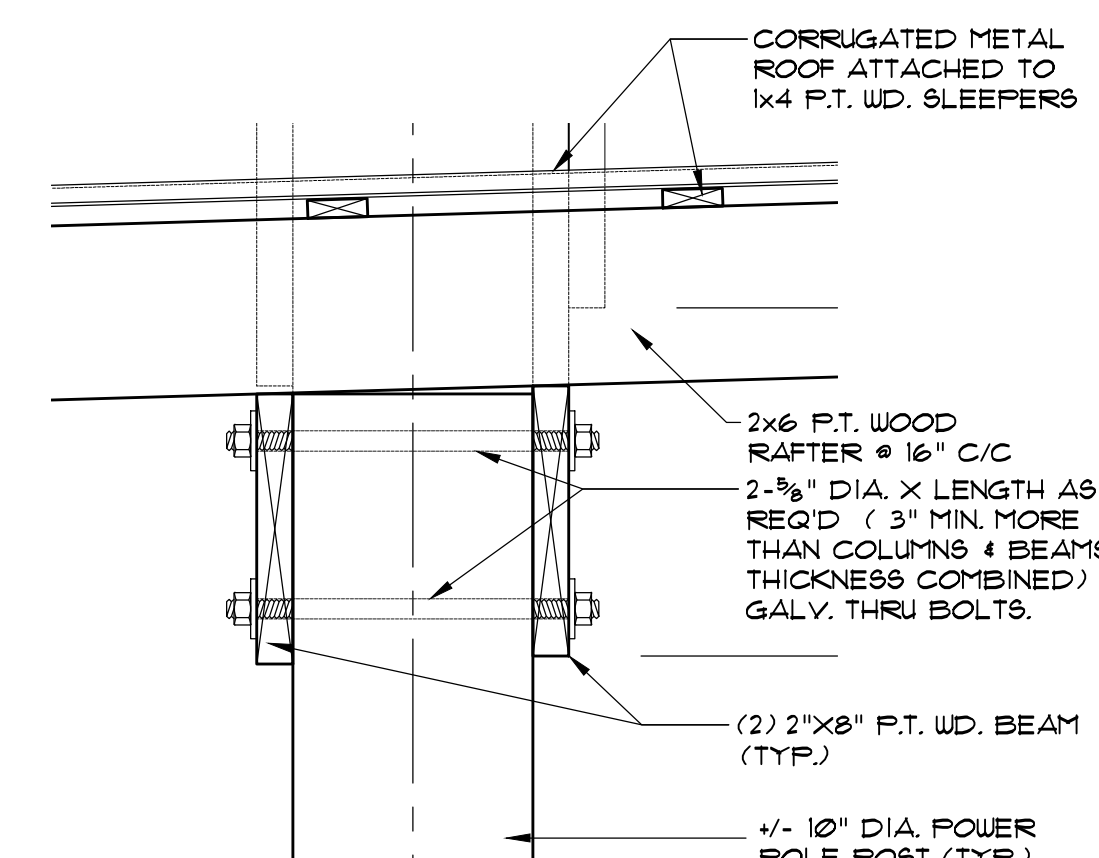
POST DETAIL
SCALE: 1/4" = 1'-0"



DETAIL
SCALE: 1/4" = 1'-0"



DETAIL
SCALE: 1/4" = 1'-0"



POST DETAIL
SCALE: 1/4" = 1'-0"

DATE	REVISION	DATE	REVISION

FRED M. HUMPHREY & ASSOCIATES, INC. AAC-001482 ARCHITECTS
809 S. ORLANDO AVENUE, SUITE C, WINTER PARK, FLORIDA 32789 • OFFICE: (407) 261-3200 • FAX: (407) 261-3202

SHEET TITLE
**ELEVATIONS & DETAILS
AT STAND-7**

PROJECT TITLE
**3-D ARCHERY COURSE,
AND RANGE, OSTEN**

COMM. NUMBER
1524

ISSUED
6/8/15
DRAWN
WJA/JZ
CHECKED
FMH

SHEET NO.
A-2