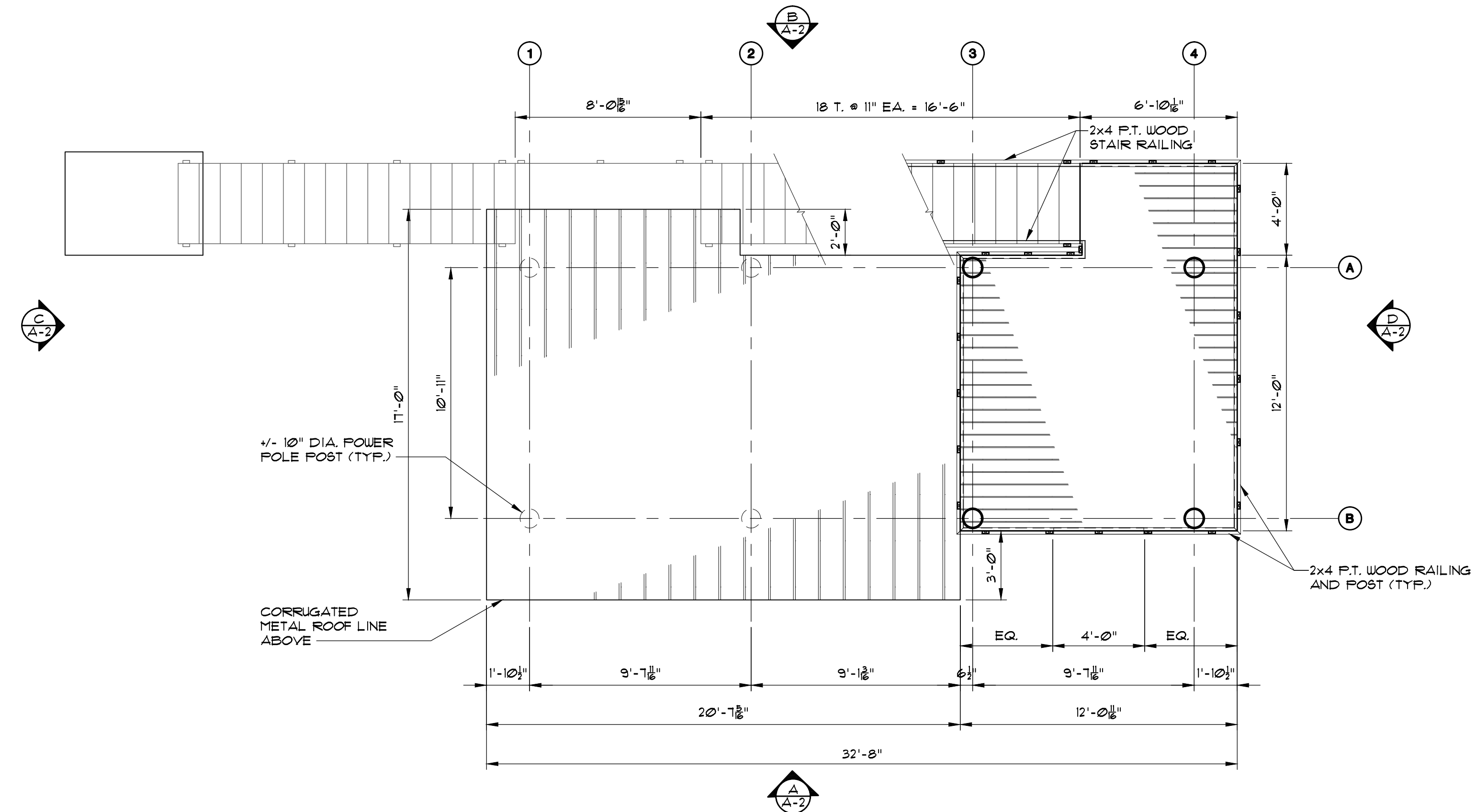
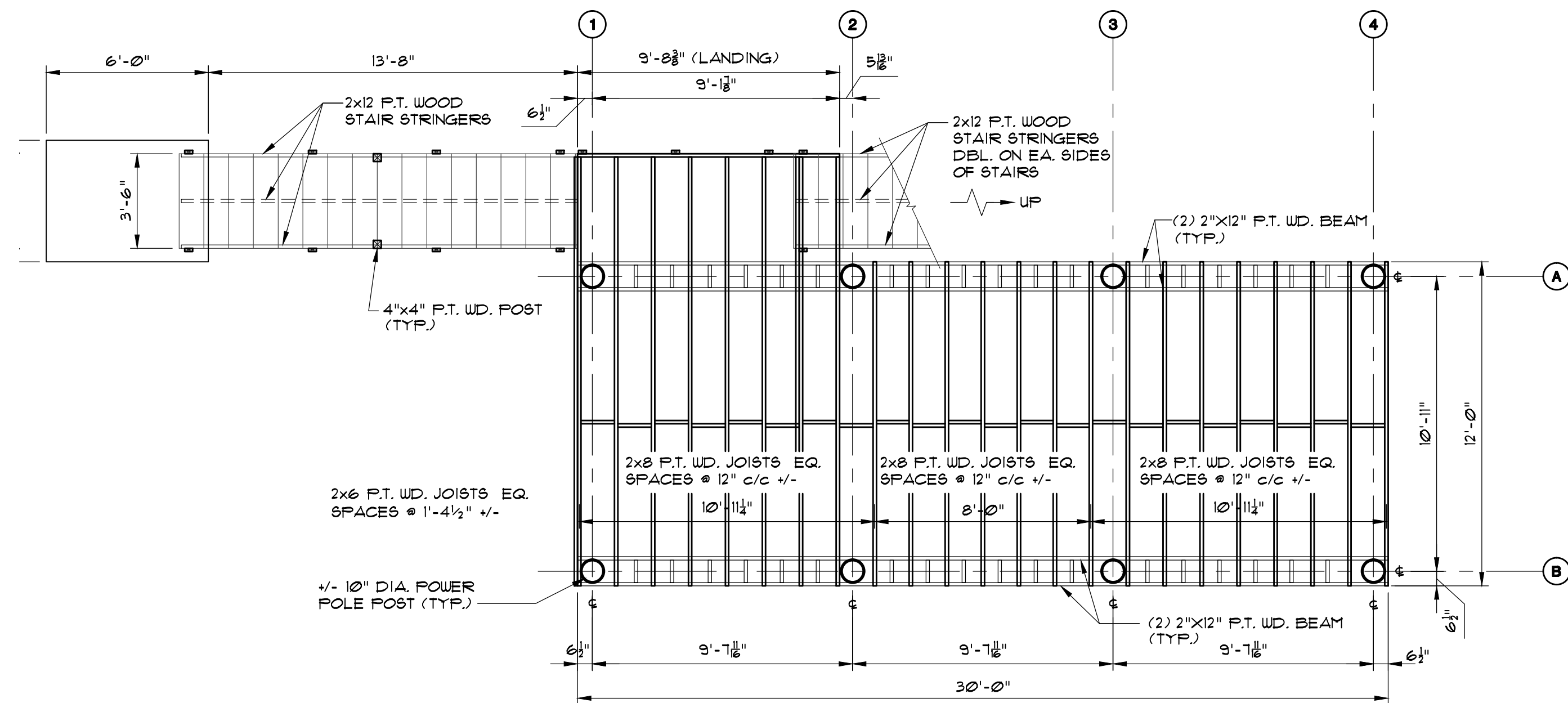


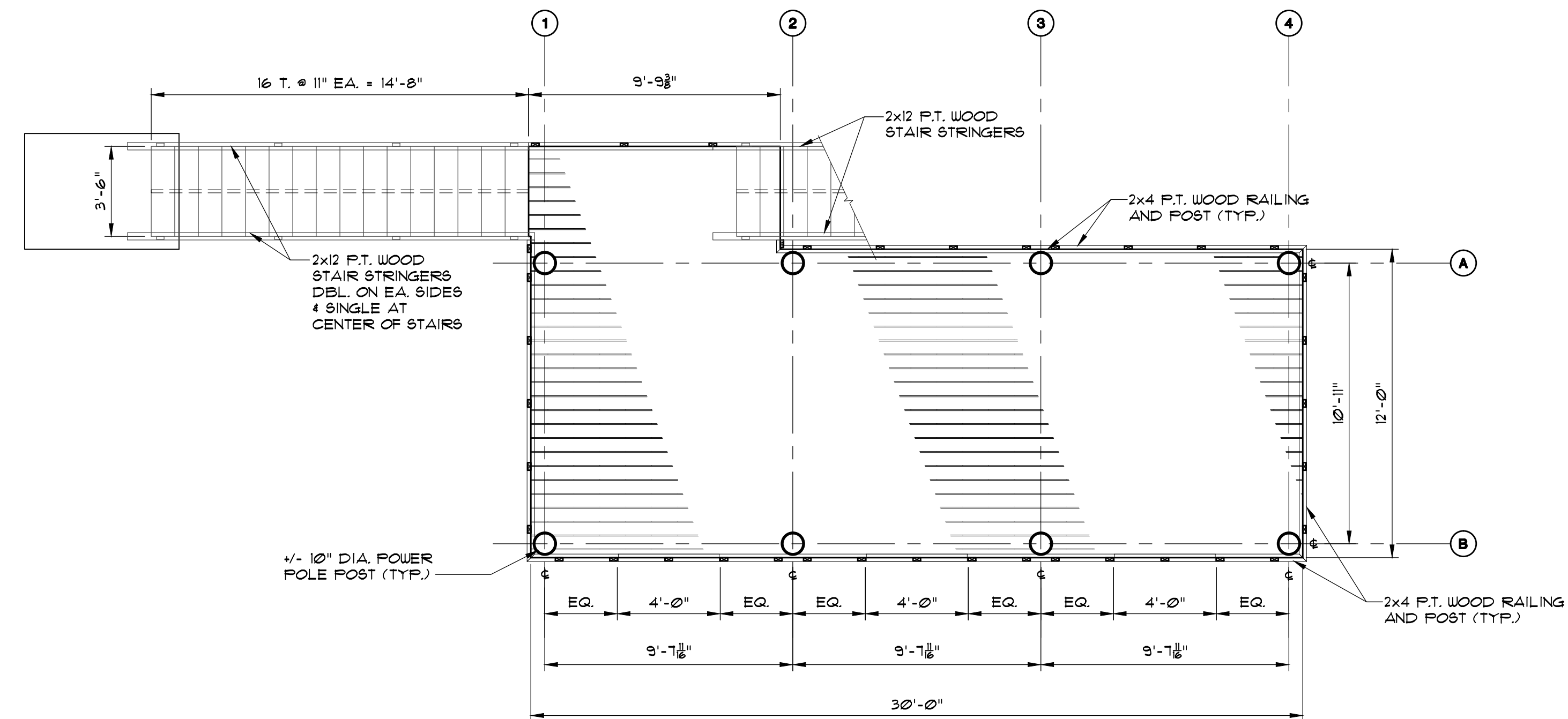
STAND - 7
UPPER LEVEL/ROOF FRAMING PLAN
 SCALE: 1/4" = 1'-0"



STAND - 7
UPPER LEVEL FLOOR/ROOF PLAN
 SCALE: 1/4" = 1'-0"



STAND - 7
LOWER LEVEL FRAMING PLAN
 SCALE: 1/4" = 1'-0"



STAND - 7
LOWER LEVEL FLOOR PLAN
 SCALE: 1/4" = 1'-0"

| DATE | REVISION | DATE | REVISION |
|------|----------|------|----------|
| | | | |

FRED M. HUMPHREY & ASSOCIATES, INC. AAC-001482 ARCHITECTS
 809 S. ORLANDO AVENUE, SUITE C, WINTER PARK, FLORIDA 32789 • OFFICE: (407) 261-3200 • FAX: (407) 261-3202

SHEET TITLE
FLOOR & ROOF FRAMING PLANS AT STAND-7

PROJECT TITLE
3-D ARCHERY COURSE, AND RANGE, OSTEN

COMM. NUMBER
1524

ISSUED
 6/8/15

SHEET NO.
A-1