

From: [Phegley, Michael](#)
To: [Madani, Mo](#)
Subject: DS 2019-014
Date: Monday, April 15, 2019 12:42:01 PM
Attachments: [scan142780.pdf](#)

MO,

Attached is some information to help satisfy the request of the FireTAC concerning our Declaratory Statement.

The first item is Babcock-Davis Fire ratings Document which states that the access panels are rated per UL 10B.

The second item is the submittal sheet for the access panel. Since we have not installed the access panels, we were unable to supply a photograph.

The third item is a snippet from our plans showing the location of the panels and other building components.

The next document comes from UL and shows the UL reference number for the testing of the access panels.

The last document shows that the panels were tested to ANSI/UL 10B "Fire Tests of Door Assemblies".

I hope these are sufficient to answer the committees questions.

Thanks for your help.

Michael T. Phegley, P.E. | Chief Mechanical Engineer
2400 Apopka Boulevard | Apopka, Florida 32703
mphegley@finfrock.com
407.293.4000 o
407.367-2437 d
407-506-7716 m



Experience a new way to build.

www.finfrock.com



NOTICE: This transmission is intended solely for the person or entity to which it is addressed and may contain information belonging to the sender that is confidential and/or privileged. Any unauthorized review, disclosure, copying, retransmission or dissemination is prohibited. If you are not the intended recipient, please destroy all copies of the transmission.



DS 2019-014

FILED	
<small>Department of Business and Professional Regulation</small>	
<small>Senior Deputy Agency Clerk</small>	
CLERK	Brandon Nichols
Date	4/15/2019
File #	

Babcock Davis Fire Rated Series Fire Ratings

Fire rated access panels shall carry a 1.5 hour U.L. "B" label for walls (250 degrees max. temp rise, 30 minutes) and carry a 3 hour Warnock Hersey (WH) label for ceilings rated 3 hours or less.

UL Vertical UL 10b
Horizontal UL263

WH Horizontal only
ASTME - 152
NFPA 252
UBC.43-7

UL:

1 ½ hour "B" rating
Meets US Standard Temp Rise 30 min, 250 F maximum
Meets Canadian Standard Temp Rise 30 min, 250 C maximum
Maximum sizes are 24" X 72" and 48" X 48"

I Series:

UL(wall, IT) = 24x72 and 48x48
UL(wall, IW/IP) = 36x48

S series:

UL(wall, ST) = 24x72 and 48x48
UL(wall, SW/SP) = 36x48
UL label for insulated pn 1319

U series:

UL(wall, UT) = 24x72 and 48x48
UL(wall, UW/UP) = 36x48
UL label for un-insulated pn 1222

RU series:

UL (wall, RUT, RUW) = 24x24
UL label for un-insulated pn 1222

Warnock Hersey:

Listed access door and frame assembly for ceiling (horizontal) installation
1hr rating in wood-framed construction
3 hr rating in non-combustible construction
Maximum size is 24" X 36" for IT - IW - IP
For Wall (vertical) installation
1 ½ hour rating 250 at 30 minutes
Maximum size 48" X 48" cold-rolled steel
36" X 36" stainless

I and IU series:

Warnock Hersey (ceiling) = 24x36

COMPLEMENTARY BUILDING PRODUCTS

ACCESS DOORS • FLOOR DOORS • ROOF HATCHES • SMOKE VENTS • ENTRANCE FLOORING SYSTEMS • WALL & DOOR PROTECTION • STAIR TREADS & NOSINGS



According to the NFPA handbook, the 1 ½ hour rated opening in a two hour rated wall is acceptable. Below state the reasoning:

UL, the testing authority, does not have a test for a two hour application. They provide testing and labeling on half hour, hour and a half, and three hour applications, which is why this hour and a half label has been accepted by the Building Authorities and is printed as acceptable in the NFPA handbook.

There are two fire label listings on our shop drawings. The UL label is the only one that applied to the vertical wall applications. It is approving our panels for a 2 hr wall and for a 1 ½ fire rating, per the NFPA handbook that is what is acceptable.

The Warnock Hersey label is for horizontal (ceiling) applications only. The ratings are approved for 1 hour when the panel is to be installed in a wood/gyp sheeting application, or 3 hours if the panel is to be installed into a concrete or other non-combustible application. In short, this label does not apply to you if you are installing our panels in a wall application.

Please contact me with any additional questions.

Dalen DeFoe

Product Manager

PH: 763.488.9231 / 800.547.2635 x9231

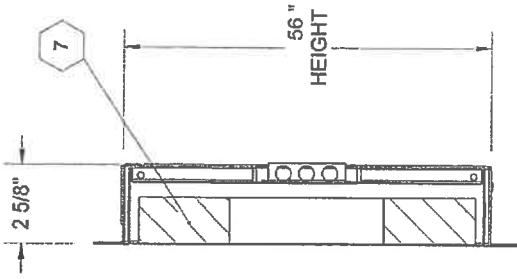
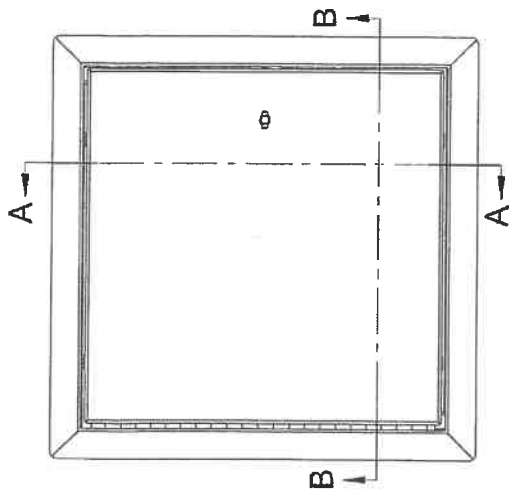
FX: 763.488.9201 / 800.317.8770

ddefoe@babcockdavis.com

www.babcockdavis.com

**COMPLEMENTARY BUILDING
PRODUCTS**

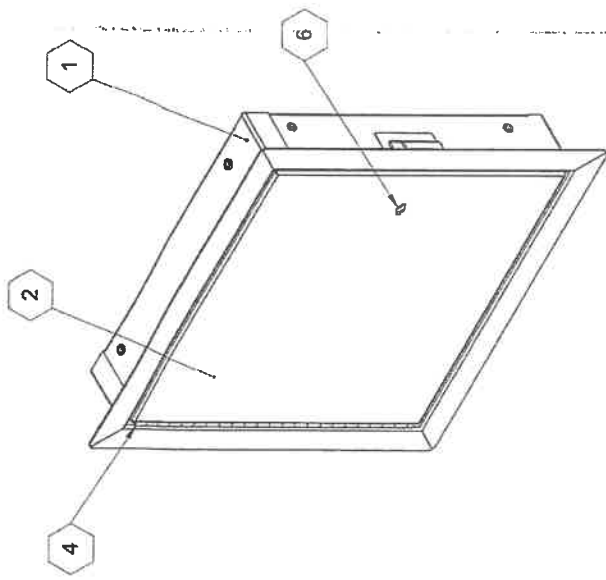
ACCESS DOORS * FLOOR DOORS * ROOF HATCHES * SMOKE VENTS * ENTRANCE FLOORING SYSTEMS * WALL & DOOR PROTECTION * STAIR TREADS & NOSINGS



SECTION A-A

SECTION B-B

ROUGH OPENING: 16.25" X 56.25"
 CLEAR OPENING: 12.75" X 54.875"
 DEGREE OF OPENING: 125°



NOTES:

- ① FRAME: Cold Rolled Steel 16 ga
- ② DOOR: Cold Rolled Steel, 20 ga
- ③ FINISH: White Powder Coat
- ④ HINGE: Flush Continuous Hinge
- ⑤ SECONDARY LATCH: Knurled Knob/Keyed Slam Latch
- ⑥ LOCK: Knurled Knob/Keyed Slam Latch
- ⑦ INSULATION: 2" Thick Fire Rated Mineral Wool, 8 R-Value

Options

- Drip Cap (C)
- Gasket Installed (G)
- Masonry Anchors (M)

HORIZONTAL
 1 HR WOOD-FRAME CONSTRUCTION
 3 HR NON-COMBUSTIBLE CONSTRUCTION
 ON SIZES UP TO AND INCLUDING 24" W X 36" H.



UL LISTED

VERTICAL
 1-1/2 HOUR "B" LABEL

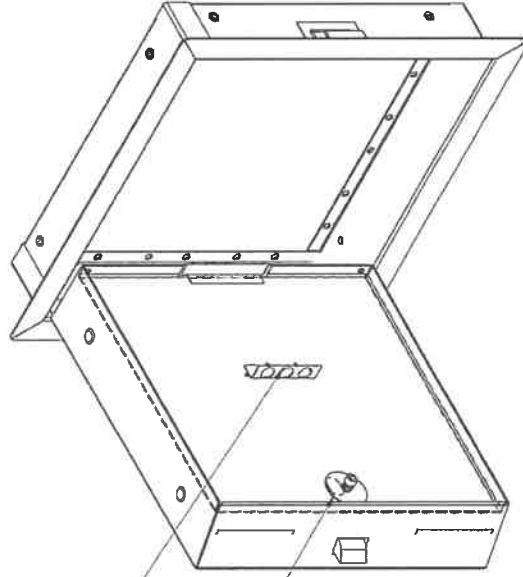
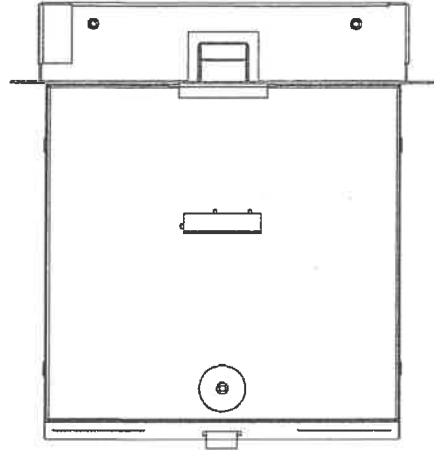
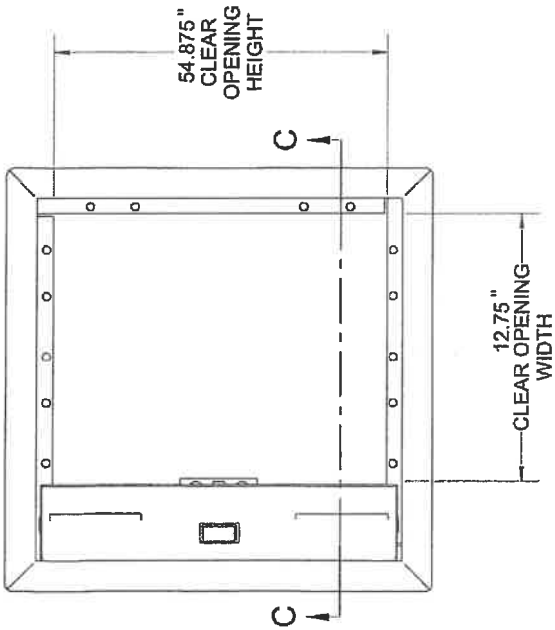
PROJECT:	
ARCHITECT:	
CONTRACTOR:	
QTY:	
PART#:	ITK1656

babcockdavis

9300 73rd Avenue North
 Brooklyn Park, MN 55428

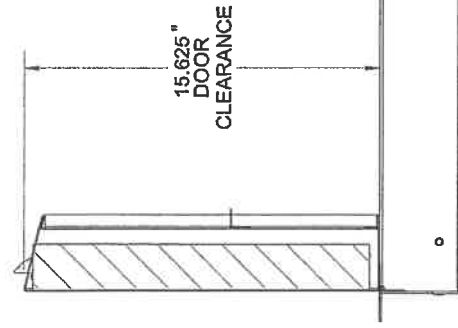
TITLE: Access Door, Fire-Rated
 16x56, Insulated,
 CRS, Flush Dr, Exp Fig.

NAME	DATE	SIZE	DWG. NO.	REV
		A		-
DRAWN				
RELEASED				
			BITK ShpDr	
			WEIGHT: VARIES	



SPRING MOUNT BRACKET

INTERIOR RELEASE MECHANISM

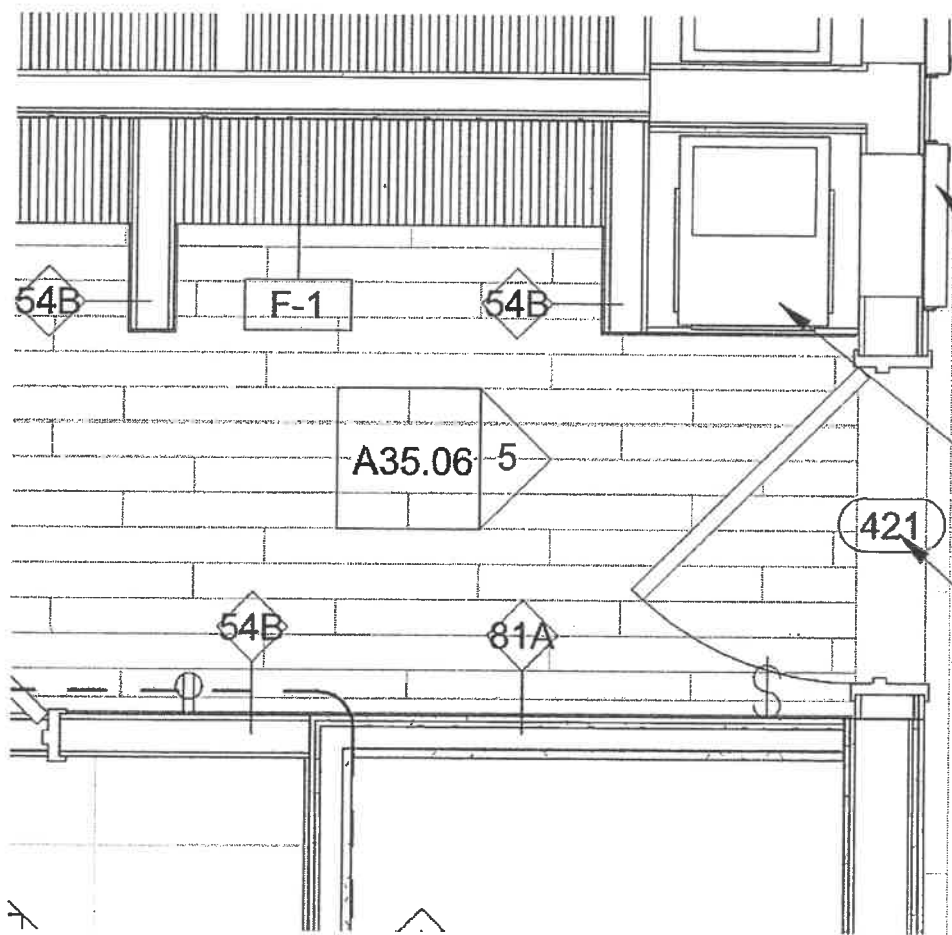


15.625" DOOR CLEARANCE

LATCH BOLT COVER EXTENDS 1/2" BEYOND OUTSIDE EDGE OF FRAME

PART#: ITK1656		TITLE: Access Door, Fire-Rated 16x56, Insulated, CRS, Flush Dr, Exp Fig,		REV: -
 9300 73rd Avenue North Brooklyn Park, MN 55428		SIZE: A	DWG. NO. BITK ShpDr	WEIGHT: Varies
DRAWN	NAME	DATE	REV	SHEET 2 OF 2
RELEASED				

PROPRIETARY AND CONFIDENTIAL: THE INFORMATION CONTAINED IN THIS DRAWING IS THE SOLE PROPERTY OF BABCOCK-DAVIS. ANY REPRODUCTION IN PART OR AS A WHOLE WITHOUT THE WRITTEN PERMISSION OF BABCOCK-DAVIS IS PROHIBITED.



FIRE-RATED
ACCESS CONTROL

VERTICAL FAN COIL
UNIT - SEE MECH. DWGS.

SEE OVERALL PLANS TO
CONFIRM ACCURATE
NUMBER, TYP.

GSOT R6402 - ACCESS-TYPE FIRE DOORS

Access-type Fire Doors

See General Information for Access-type Fire Doors

NYSTROM INC

9300 73RD AVE N

BROOKLYN PARK, MN 55428-1013 USA

Models IT, IW, IP, ST, SW, SP, UT, UW, UP, RUT and RUW. Access doors may be provided for installation in non-masonry walls.

R6402

Last Updated on 2018-06-06

The appearance of a company's name or product in this database does not in itself assure that products so identified have been manufactured under UL's Follow-Up Service. Only those products bearing the UL Mark should be considered to be Certified and covered under UL's Follow-Up Service. Always look for the Mark on the product.

UL permits the reproduction of the material contained in the Online Certification Directory subject to the following conditions: 1. The Guide Information, Assemblies, Constructions, Designs, Systems; and/or Certifications (files) must be presented in their entirety and in a non-misleading manner, without any manipulation of the data (or drawings). 2. The statement "Reprinted from the Online Certifications Directory with permission from UL" must appear adjacent to the extracted material. In addition, the reprinted material must include a copyright notice in the following format: "© 2019 UL LLC"

GSOT.GuideInfo - ACCESS-TYPE FIRE DOORS

[Fire Doors] Access-type Fire Doors

See General Information for Fire Doors

USE AND INSTALLATION

This category covers access-type fire doors, which are assemblies consisting of single-swinging steel doors with frames, self-latching devices and closing mechanisms.

Access-type fire door assemblies are intended to be installed vertically in concrete and masonry walls unless otherwise noted in the individual certifications. Access-type fire door assemblies intended to be installed in nonmasonry walls or in the ceiling of fire-resistive horizontal assemblies should be installed in accordance with the installation instructions provided with each assembly.

Access-type fire door assemblies are intended to be installed in accordance with ANSI/NFPA 80, "Fire Doors and Other Opening Protectives."

Authorities Having Jurisdiction should be consulted before installation.

PRODUCT IDENTITY

The following product identity appears on the product:

Access Frame and Fire Door Assembly

RELATED PRODUCTS

See Floor Access Doors (CCJV).

ADDITIONAL INFORMATION

For additional information, see Fire Doors (GSNV) and Fire-resistance Ratings (BXRH).

REQUIREMENTS

The basic standard used to investigate products in this category when installed in walls is ANSI/UL 10B, "Fire Tests of Door Assemblies."

The basic standard used to investigate products in this category when installed in ceilings of horizontal fire-resistive assemblies is ANSI/UL 263, "Fire Tests of Building Construction and Materials."

UL MARK

The Certification Mark of UL on the product is the only method provided by UL to identify products manufactured under its Certification and Follow-Up Service. The Certification Mark for these products includes the UL symbol, the words "CERTIFIED" and "SAFETY," the geographic identifier(s), and a file number.

The Certification Mark covers the design and construction of the door, frame and hardware.

Additional Certification Markings

Products covered under this category are additionally marked with the following information:

AS TO FIRE RESISTANCE

RATING: + H

TEMP RISE: ++

+ 4, 3, 1-1/2 or 3/4

++ 30 MIN - 250°F MAX, 30 MIN - 450°F MAX, 30 MIN - 650°F MAX, or no reference to temperature rise when the temperature rise exceeds 650°F at 30 min.

Alternate UL Mark

The Classification Mark of UL on the product is the only method provided by UL to identify products manufactured under its Classification and Follow-Up Service. The Classification Mark covers the design and construction of the door, frame and hardware. The Classification Mark for these products includes the UL symbol, the word "CLASSIFIED" above the UL symbol (as illustrated in the Introduction of this Directory), and the following additional information:

ACCESS FRAME AND FIRE DOOR ASSEMBLY

FIRE RESISTANCE CLASSIFICATION

RATING: + HR

TEMP RISE: ++

No.

+ 4, 3, 1-1/2 or 3/4

++ 30 MIN - 250°F MAX, 30 MIN - 450°F MAX, 30 MIN - 650°F MAX, or no reference to temperature rise when the temperature rise exceeds 650°F at 30 min.

* * * * *

UL, in performing its functions in accordance with its objectives, does not assume or undertake to discharge any responsibility of the manufacturer or any other party. UL shall not incur any obligation or liability for any loss, expense or damages, including incidental or consequential damages, arising out of or in connection with the use, interpretation of, or reliance upon this Guide Information.

Last Updated on 2013-05-16

The appearance of a company's name or product in this database does not in itself assure that products so identified have been manufactured under UL's Follow-Up Service. Only those products bearing the UL Mark should be considered to be Certified and covered under UL's Follow-Up Service. Always look for the Mark on the product.

UL permits the reproduction of the material contained in the Online Certification Directory subject to the following conditions: 1. The Guide Information, Assemblies, Constructions, Designs, Systems, and/or Certifications (files) must be presented in their entirety and in a non-misleading manner, without any manipulation of the data (or drawings). 2. The statement "Reprinted from the Online Certifications Directory with permission from UL" must appear adjacent to the extracted material. In addition, the reprinted material must include a copyright notice in the following format: "© 2019 UL LLC"

CERTIFICATE OF COMPLIANCE

Certificate Number 20180525-R6402
Report Reference R6402-19791114
Issue Date 2018-MAY-25

Issued to: NYSTROM INC
9300 73RD AVE N
BROOKLYN PARK MN 55428

This is to certify that ACCESS TYPE FIRE DOORS
representative samples of Models IT, IW, IP, ST, SW, SP, UT, UW, UP, RUT and RUW.
Single swinging fire door and frame assemblies for 1-1/2 h
(B) locations. May be installed in masonry or nonmasonry
locations. Doors may be uninsulated.

Have been investigated by UL in accordance with the
Standard(s) indicated on this Certificate.

Standard(s) for Safety: CAN/ULC-S104 - Standard Method for Fire Tests of Door
Assemblies

ANSI/UL 10B - Fire Tests of Door Assemblies

Additional Information: See the UL Online Certifications Directory at
www.ul.com/database for additional information

Only those products bearing the UL Certification Mark should be considered as being covered by UL's
Certification and Follow-Up Service.

Look for the UL Certification Mark on the product.



Bruce Mahrenholz, Director North American Certification Program

UL LLC

Any information and documentation involving UL Mark services are provided on behalf of UL LLC (UL) or any authorized licensee of UL. For questions, please
contact a local UL Customer Service Representative at <http://ul.com/aboutul/localcalls>

