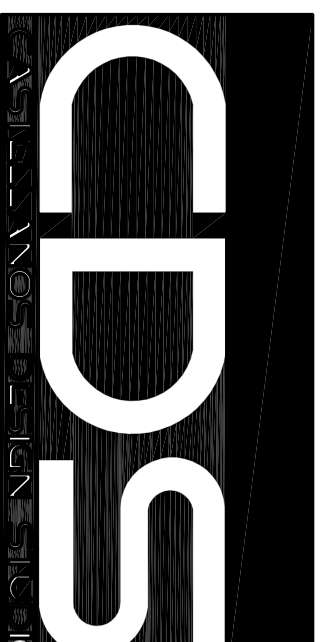


CLIENT:

747 4th Street

Interior Renovations

747 4th Street
Miami Beach, FL 33139
Phone: 02-4203-009-3050

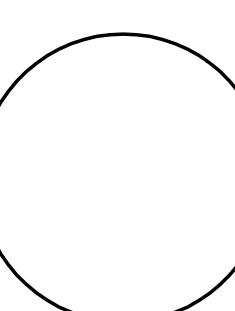


333 SE 2ND AVENUE, SUITE 2066
MIAMI, FL 33131
Tel: 786.218.5335
License #AA 26002467

WWW.CASTELLANOSDESIGN.COM

No.	DATE	ISSUED /REVISID
-----	------	-----------------

SEAL:

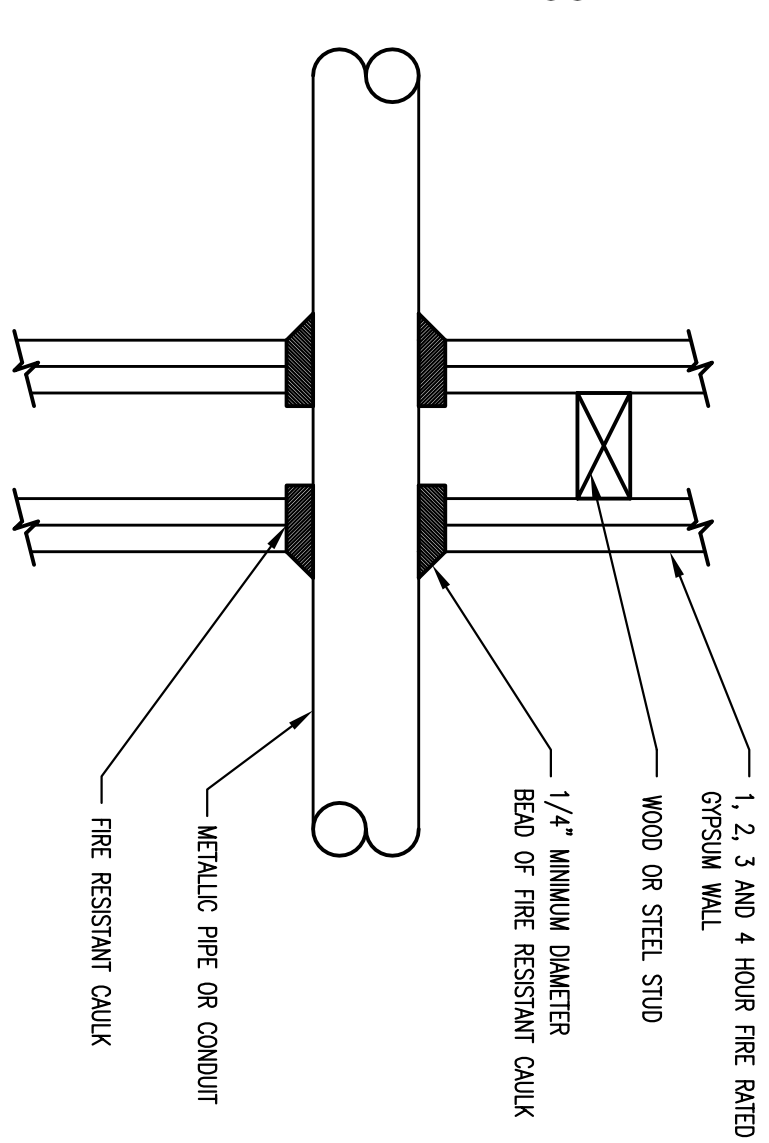


MRS. EVARISTO CASTELLANOS
FLORIDA ARCHITECT LICENSE #196133

PROJECT NO : 2016-18

**FIRE PROTECTION
NOTES AND DETAILS**

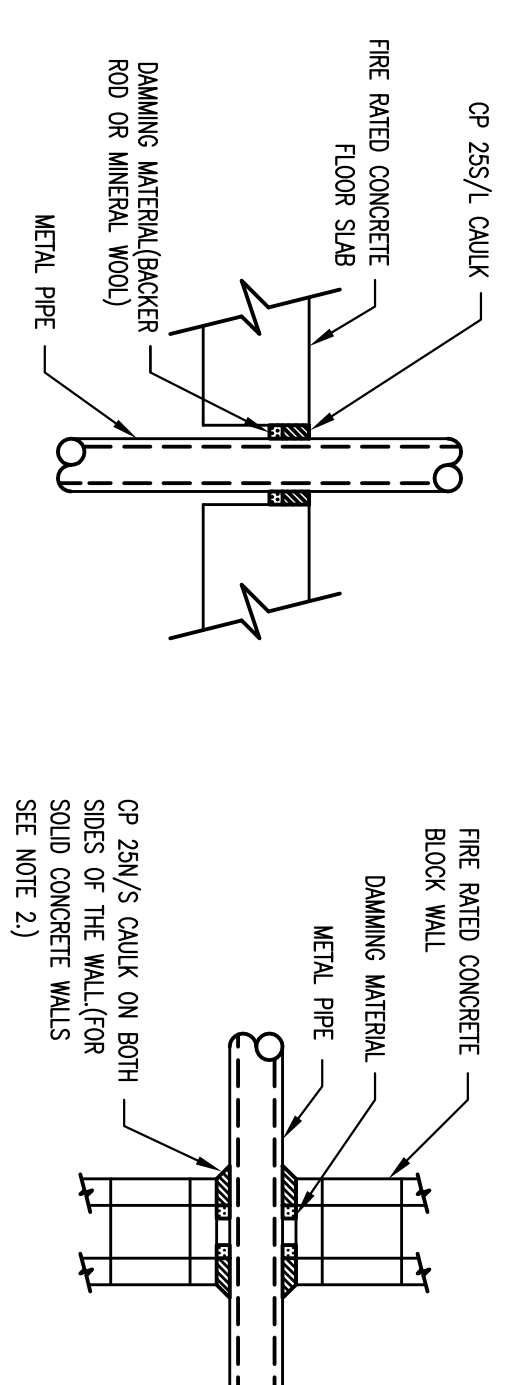
CHECKED BY : A.R.	SHEET NO :
DRAWN BY : F.A.	SCALE: AS SHOWN
DATE : 2016	BY: CDS



- NOTES:**
1. THE CAULK IS TO BE FORCED INTO THE ANNULAR SPACE TO THE MAXIMUM EXTENT POSSIBLE FLUSH WITH THE EXTERIOR OF THE PENETRATION SURFACE.
 2. FINISH OUTLING WITH A 1/4" MINIMUM BEAD OF FIRE RESISTANT CAULK APPLIED TO THE PERIMETER OF THE CONDUIT/PIPE AT ITS EDGES FROM THE WALL.
 3. THE MAXIMUM ANNULAR SPACE IS NOT TO EXCEED 3/16".

**FIRE RATED
PIPE PENETRATION DETAIL**
NTS

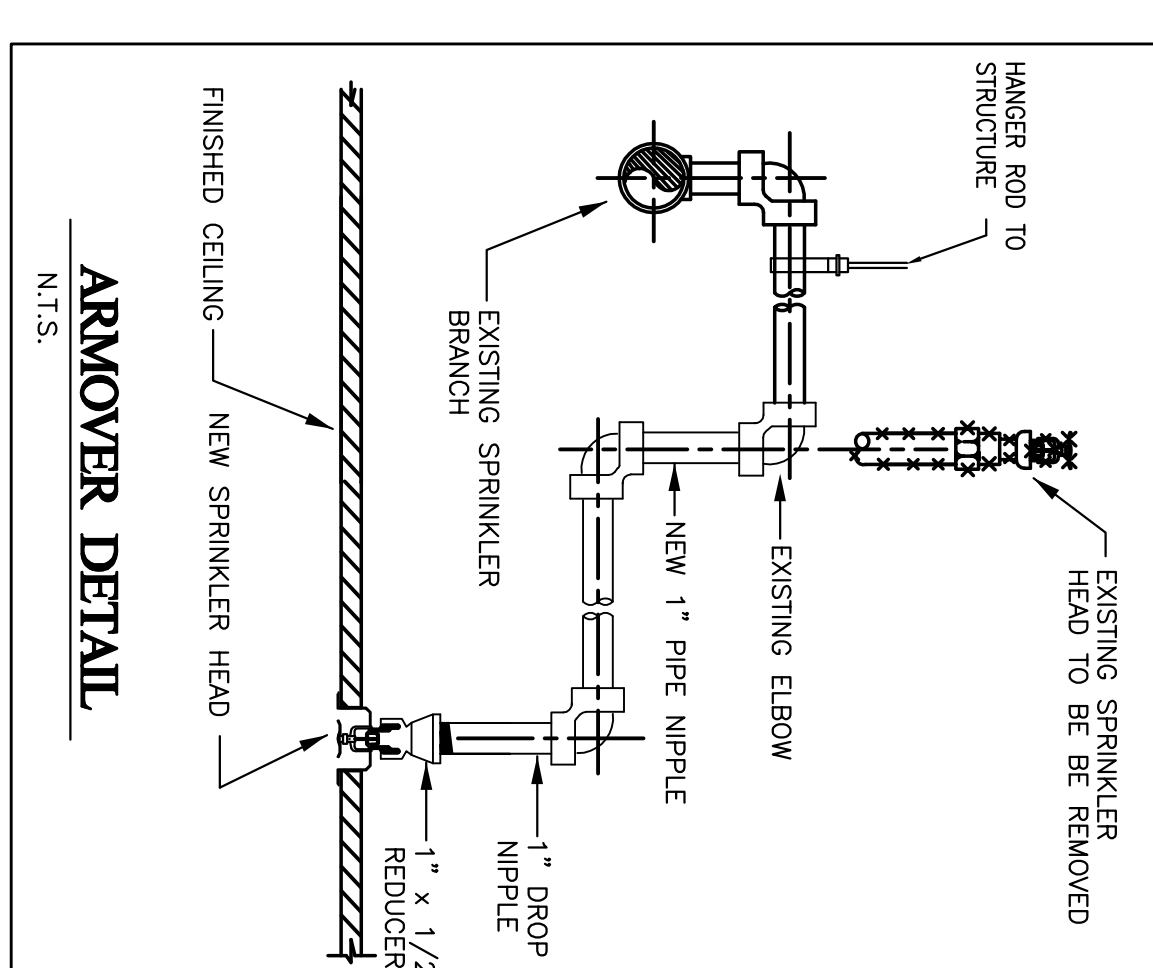
UL SYSTEM # W-L-1001 (F RATINGS - 1, 2, 3 AND 4 HOUR)



- NOTES:**
1. THE MAXIMUM ANNULAR SPACE TO BE FILLED IS 2-3/8". THE MINIMUM ANNULAR SPACE IS 1/4".
 2. FOR SOLID CONCRETE WALLS, THE CP 255/S CAULK MAY BE CENTERED IN THE WALL WITH DAMMING MATERIAL ON BOTH SIDES OF THE CAULK.
 3. USE CP 255/SELF LEVING CAULK ON HORIZONTAL SURFACES WHEN SEALING OPENINGS FROM ABOVE THE PENETRATION. USE CP 255/S(W-SAG) CAULK ON VERTICAL SURFACES AND ON HORIZONTAL SURFACES WHEN SEALING FROM BELOW.
 4. UP TO 40% SHRINKAGE OF CP 255/S OF CP 255/L CAULKS IS ACCEPTABLE AFTER INITIAL WET DEPTH INSTALLATION.
 5. THE DEPTH OF THE CP 25 CAULKS DEPENDS ON THE INSULATION THICKNESS.

**FIRE RATED
PIPE PENETRATION DETAIL**
NTS

UL SYSTEM # C-ALJ-5001 (F RATINGS - 1-1/2, 2 AND 3 HOUR)



ARMOVER DETAIL
NTS

ARMOVER NOTES:

1. THE MAXIMUM NUMBER OF HEADS TO BE SUPPLIED FROM THE EXISTING PIPE SHALL BE AS FOLLOWS:
 - A. 1" DIAMETER PIPE - 2 SPRINKLER HEADS
 - B. 1 1/2" DIAMETER PIPE - 4 SPRINKLER HEADS
 - C. 2" DIAMETER PIPE - 6 SPRINKLER HEADS
 - D. 2 1/2" DIAMETER PIPE - 9 SPRINKLER HEADS
2. HANGERS AND SUPPORTS SHALL BE AS FOLLOWS:
 - A. THE LENGTH OF ANY UNSUPPORTED ARMOVER SHALL NOT EXCEED 12 INCHES.
 - B. THE HANGER CLOSEST TO THE SPRINKLER SHALL BE OF THE TYPE THAT PREVENTS UPWARD MOVEMENT OF THE SPRINKLER.
 - C. NEW SPRINKLER HEADS SHALL BE INSTALLED DIRECTLY ON THE FITTING AT THE END OF THE ARMOVER.
 - D. ALL PIPING SHALL BE SUPPORTED BY MEANS OF FM APPROVED AND LISTED HANGERS.
 - E. HANGERS AND SUPPORTS SHALL BE IN ACCORDANCE WITH NFPA 13.
 - F. FOR HANGER ASSEMBLIES UNDER STEEL MEMBERS USE TOP BEAM CLAMPS, THREADED ROD AND PIPE RINGS.
 - G. ADJUSTABLE HANGERS AS REQUIRED FOR PROPER SUPPORT OF ALL PIPELINES.

FIRE PROTECTION GENERAL NOTES:

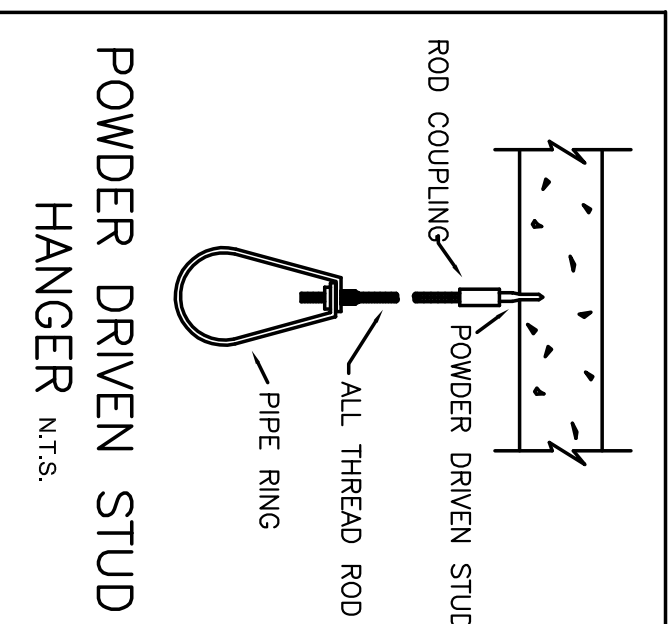
1. CONTRACTOR TO VERIFY EXISTING CONDITIONS PRIOR TO THE START OF NEW WORK.
2. ALL EXISTING SPRINKLER HEADS SHALL NOT BE RE-USED. REMOVE & CAP OUTLET FOR FUTURE USE.
3. ADJUST EXISTING PIPES AND FIRE SPRINKLER HEADS AS REQUIRED FOR THE NEW WALL AND CEILING DESIGN.
4. FIRE SPRINKLER HEADS RELOCATION SHALL BE COORDINATED WITH LIGHTING AND A/C MAINTAIN SPRINKLER HEAD 12" MIN. AWAY FROM EDGE OF LIGHT FIXTURE AND 24" MIN. AWAY FROM EDGE OF CEILING OR WALL AIR DIFFUSER.
5. DURING THE PERFORMANCE OF THE NEW WORK, IF A SHAH OR WALL PENETRATION IS NOT COVERED BY THE DESIGN, CONTRACTOR SHALL ADVISE ARCHITECT OF CONDITION AND PROVIDE CORRECTIVE ACTION AS DIRECTED BY ARCHITECT & OWNER.
6. SYSTEM SHOWN INCLUDES A CLASS 1 STANDPIPE SYSTEM, PER NFPA 101.11.8.2.2 ALREADY INSTALLED AND IN OPERATION.
7. SPRINKLER HEADS SHALL BE ADJUSTED AS REQUIRED, TO BE ON CENTER OF ACOUSTICAL TILE OR IN LINE WITH RECESSED LIGHTS IN GYPSUM BOARDS SETTINGS.
8. PROPOSED CEILING HEIGHT SHALL BE AS SHOWN IN THE ARCHITECTURAL DRAWINGS. PROPOSED CEILING MOUNTED EQUIPMENT, ALL DISCREPANCIES SHALL BE BROUGHT TO THE ARCHITECT'S ATTENTION BEFORE PROCEEDING WITH THE WORK.

ARMOVER NOTES:

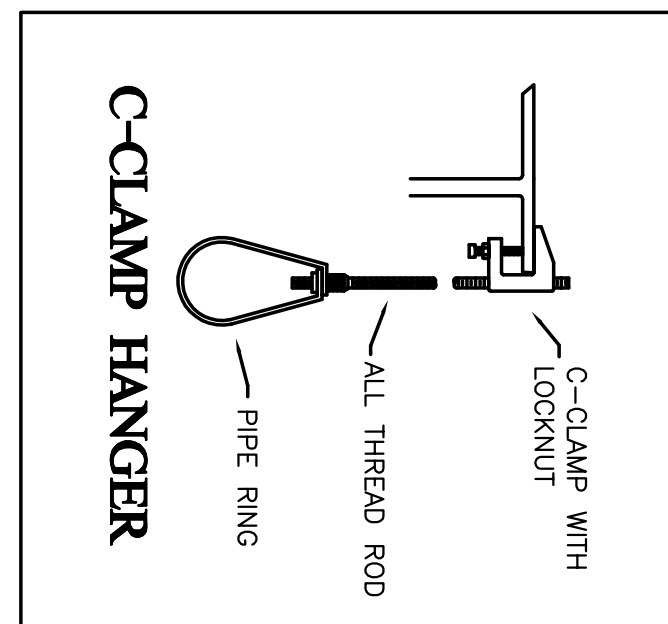
9. NEW SPRINKLER HEADS SHALL BE PROVIDED WITH ARMOVERS FROM THE EXISTING SHELL SPRINKLER SYSTEM AS INDICATED. ARMOVERS SHALL BE CONNECTED FROM SHELL SPRINKLER LOCATIONS WHERE SPRINKLER HEADS HAVE BEEN INSTALLED ON 1" RISER OR DROP NIPPLES AND REDUCERS. FOR EXISTING SPRINKLER HEADS WHICH ARE NOT SUPPLIED DIRECTLY ON THE BRANCHLINE, TEST SHALL BE SUPPLIED FROM THE CLOSEST EXISTING SHELL SYSTEM BRANCHLINE LOCATION UTILIZING **INDUCIALC SWAP-LET OUTLET COUPLINGS - STYLE 925**.
10. NEW SPRINKLER HEADS SHALL BE SILLED IN ACCORDANCE WITH EXISTING ZONE LAYOUT.
11. EXISTING HEADS REMAINING IN NON-COMBUSTIBLE JOISTS SHALL BE REMOVED. EXISTING HEADS THAT HAVE BEEN INSTALLED SHALL BE REMOVED AND PIPING CAPPED.
12. NEW SPRINKLER PIPING DIAMETERS SHALL BE 1"
13. FIRE SEAL ALL PENETRATIONS WITH APPROVED U.L. LISTED FIRE CAULK MATERIAL.
14. ALL NEW PIPING TO BE 1" UNLESS NOTED OTHERWISE.

FIRE PROTECTION LEGEND

- _____ SPRINKLER PIPE
- PENDANT SPRINKLER HEAD, NEW SHALL BE
- ⦿ UPRIGHT SPRINKLER HEAD, NEW SHALL BE
- MATCH EXISTING SIDEWALL SPRINKLER HEAD, NEW SHALL BE
- ◀ MATCH EXISTING EXISTING HEAD BEING REMOVED OR RELOCATED
- DENOTES SPRINKLER HEADS TO BE REMOVED
- R DENOTES SPRINKLER HEADS NEW LOCATION
- ER DENOTES SPRINKLER HEADS TO BE RELOCATED
- N DENOTES NEW PENDENT SPRINKLER HEADS TO BE ADDED AS SHOWN.
- E DENOTES EXISTING HEAD TO REMAIN. ADJUST HIGH ACCORDING CEILING.
- REMOVE EXISTING SPRINKLER HEAD AND ARM OVER TO CONNECT SPRINKLER HEADS NEW LOCATION (1" MIN. PIPE) SEE DETAIL.
- ◑ TIE TO NEW CONNECTION TO EXISTING PIPING.



POWDER DRIVEN STUD HANGER
N.T.S.



engineering inc	Castellanos
2955 N. Wilshire Road, Suite 1109 Coral Gables, Florida 33134 Phone > 305.444.9809 Fax > 305.444.9827	Engineering Designer Architectural Mechanical Electrical > Fire Protection www.ingr-enc.com
Amelle Rodriguez, P.E. License Number 60236 CA 2009	Signature _____ Date _____

FP-2