

1 A1.1 SECOND FLOOR EXISTING CONDITIONS / DEMOLITION PLAN
SCALE 1/8" = 1'-0"

THE ELEVATION OF THE FLOOR SURFACE ON BOTH SIDES OF A DOOR SHALL VARY BY NO MORE THAN 1/4" FOR A DISTANCE NOT LESS THAN THE WIDTH OF THE WIDEST LEAF. NFPA 101, SECTION 7.2.1.3.1 & 7.2.1.3.2, FLORIDA 2010 EDITION.

INDICATES AREA NOT OCCUPIED BY COMMUNITY LEADERSHIP ACADEMY

NEW ILLUMINATED EXIT SIGN WITH BATTERY BACKUP & INVERTER

DOOR SCHEDULE									
MARK	DOOR		FRAME		HARDWARE SET		REMARKS		
	SIZE	MATERIAL	ELEV.	GLAZING	MATERIAL	ELEV.			
FIRST FLOOR									
100	3'-0" x 7'-0"	EXISTING	4	CLEAR	H.M.	◇	ENTRY LOCKSET	2, 7	
100-A	3'-0" x 7'-0"	EXISTING	2	CLEAR	H.M.	◇	ENTRY LOCKSET	2, 7	
100-B	3'-0" x 7'-0"	EXISTING	2	CLEAR	H.M.	◇	ENTRY LOCKSET	2, 7	
100-C	3'-0" x 7'-0"	EXISTING	6	CLEAR	H.M.	◇	HALF DUMMY LOCKSET	7	
100-D	3'-0" x 7'-0"	EXISTING	6	CLEAR	H.M.	◇	HALF DUMMY LOCKSET	7	
101	3'-0" x 7'-0"	EXISTING	11	-	WOOD	◇	OFFICE LOCKSET	7	
102	3'-0" x 7'-0"	EXISTING	11	-	WOOD	◇	-		
103	3'-0" x 7'-0"	EXISTING	4	-	H.M.	◇	PASSAGE LOCKSET	7	
103-A	3'-0" x 7'-0"	EXISTING	3	-	H.M.	◇	ENTRY LOCKSET	4, 7	
104	3'-0" x 7'-0"	EXISTING	11	-	WOOD	◇	PASSAGE LOCKSET	7	
105	3'-0" x 7'-0"	EXISTING	11	-	WOOD	◇	PASSAGE LOCKSET	7	
106	3'-0" x 7'-0"	EXISTING	11	CLEAR	H.M.	◇	HALF DUMMY LOCKSET	7	
106-A	(2) 3'-8" x 7'-0"	EXISTING	9	-	H.M.	◇	PANIC HARDWARE	6	
107	3'-0" x 7'-0"	EXISTING	3	-	H.M.	◇	STOREROOM LOCKSET		
108	3'-0" x 7'-0"	EXISTING	4	-	H.M.	◇	ENTRY LOCKSET		
108-A	3'-0" x 7'-0"	EXISTING	3	-	H.M.	◇	CLASSROOM LOCKSET		
109	3'-0" x 7'-0"	EXISTING	11	-	WOOD	◇	PASSAGE LOCKSET	3	
109-A	3'-0" x 7'-0"	EXISTING	11	-	WOOD	◇	PRIVACY LOCKSET		
109-B	3'-0" x 7'-0"	EXISTING	3	-	H.M.	◇	ENTRY LOCKSET		
110	3'-0" x 7'-0"	EXISTING	11	-	H.M.	◇	CLASSROOM LOCKSET		
110-A	3'-0" x 7'-0"	EXISTING	11	-	H.M.	◇	CLASSROOM LOCKSET		
110-B	3'-0" x 7'-0"	EXISTING	3	-	H.M.	◇	ENTRY LOCKSET		
110-C	3'-0" x 7'-0"	EXISTING	3	-	H.M.	◇	ENTRY LOCKSET		
111	2'-0" x 5'-0"	EXISTING	-	-	WOOD	◇	PASSAGE LOCKSET	1	
112	3'-0" x 7'-0"	EXISTING	6	CLEAR	H.M.	◇	HALF DUMMY LOCKSET	7	
112-A	(2) 3'-0" x 7'-0"	EXISTING	6	-	H.M.	◇	PANIC HARDWARE	6	
113	3'-0" x 7'-0"	EXISTING	4	-	H.M.	◇	CLASSROOM LOCKSET		
113-A	3'-0" x 7'-0"	EXISTING	3	-	H.M.	◇	ENTRY LOCKSET		
114	3'-0" x 7'-0"	EXISTING	4	-	H.M.	◇	CLASSROOM LOCKSET		
114-A	3'-0" x 7'-0"	EXISTING	3	-	H.M.	◇	ENTRY LOCKSET		
114-B	3'-0" x 7'-0"	EXISTING	3	-	H.M.	◇	ENTRY LOCKSET		
115	3'-0" x 7'-0"	EXISTING	3	-	H.M.	◇	STOREROOM LOCKSET		
116	3'-0" x 7'-0"	EXISTING	4	-	WOOD	◇	OFFICE LOCKSET		
116-A	3'-0" x 7'-0"	EXISTING	3	-	H.M.	◇	ENTRY LOCKSET		
117	3'-0" x 7'-0"	EXISTING	4	-	H.M.	◇	OFFICE LOCKSET		
117-A	3'-0" x 7'-0"	EXISTING	3	-	H.M.	◇	ENTRY LOCKSET		
118	3'-0" x 7'-0"	EXISTING	4	-	WOOD	◇	OFFICE LOCKSET		
118-A	3'-0" x 7'-0"	EXISTING	3	-	H.M.	◇	ENTRY LOCKSET		
118-B	3'-0" x 7'-0"	EXISTING	3	-	H.M.	◇	OFFICE LOCKSET		
119	3'-0" x 7'-0"	EXISTING	6	-	H.M.	◇	PASSAGE LOCKSET	7	
119-A	3'-0" x 7'-0"	EXISTING	6	CLEAR	H.M.	◇	ENTRY LOCKSET	2, 4, 7	
SECOND FLOOR									
200	2'-8" x 7'-0"	EXISTING	4	-	H.M.	◇	STOREROOM LOCKSET		
202	2'-6" x 6'-8"	EXISTING	11	-	WOOD	◇	STOREROOM LOCKSET		
203	2'-6" x 6'-8"	EXISTING	11	-	WOOD	◇	STOREROOM LOCKSET		
204	3'-0" x 6'-8"	EXISTING	11	-	H.M.	◇	PASSAGE LOCKSET	7	
205	2'-6" x 6'-8"	EXISTING	11	-	WOOD	◇	CLASSROOM LOCKSET		
205-A	3'-0" x 7'-0"	EXISTING	11	-	H.M.	◇	PANIC HARDWARE	6	
206	2'-6" x 6'-8"	EXISTING	11	-	WOOD	◇	CLASSROOM LOCKSET		
206-A	3'-0" x 7'-0"	EXISTING	11	-	H.M.	◇	PANIC HARDWARE	6	
207	2'-6" x 6'-8"	EXISTING	11	-	WOOD	◇	CLASSROOM LOCKSET		
207-A	3'-0" x 7'-0"	EXISTING	11	-	H.M.	◇	PANIC HARDWARE	6	
208	2'-6" x 6'-8"	EXISTING	11	-	WOOD	◇	CLASSROOM LOCKSET		
209	3'-0" x 7'-0"	EXISTING	3	-	H.M.	◇	PANIC HARDWARE	6	
210	2'-6" x 6'-8"	EXISTING	11	-	WOOD	◇	CLASSROOM LOCKSET		
212	2'-6" x 6'-8"	EXISTING	11	-	WOOD	◇	OFFICE LOCKSET		
212-A	2'-6" x 6'-8"	EXISTING	11	-	WOOD	◇	CLASSROOM LOCKSET		
213	3'-0" x 7'-0"	EXISTING	3	-	H.M.	◇	PANIC HARDWARE	6	
214	2'-6" x 6'-8"	EXISTING	11	-	WOOD	◇	PASSAGE LOCKSET		
214-A	2'-6" x 6'-8"	EXISTING	11	-	WOOD	◇	PASSAGE LOCKSET		
214-B	2'-6" x 6'-8"	EXISTING	11	-	WOOD	◇	PASSAGE LOCKSET		
214-C	3'-0" x 7'-0"	EXISTING	11	-	H.M.	◇	ENTRY LOCKSET		
214-D	3'-0" x 7'-0"	EXISTING	3	-	H.M.	◇	ENTRY LOCKSET		
215	3'-0" x 7'-0"	EXISTING	4	-	H.M.	◇	PASSAGE LOCKSET		
215-A	2'-6" x 6'-8"	EXISTING	11	-	WOOD	◇	PASSAGE LOCKSET		
215-B	2'-6" x 6'-8"	EXISTING	11	-	WOOD	◇	PASSAGE LOCKSET		
215-C	2'-6" x 6'-8"	EXISTING	11	-	WOOD	◇	PASSAGE LOCKSET		
215-D	3'-0" x 7'-0"	EXISTING	3	-	H.M.	◇	ENTRY LOCKSET		
215-E	3'-0" x 7'-0"	EXISTING	3	-	H.M.	◇	ENTRY LOCKSET		
216	3'-0" x 6'-8"	EXISTING	4	-	H.M.	◇	PASSAGE LOCKSET	7	
216-A	3'-0" x 7'-0"	EXISTING	3	-	H.M.	◇	ENTRY LOCKSET	7	
217	3'-0" x 7'-0"	EXISTING	3	-	H.M.	◇	CLASSROOM LOCKSET		
218	3'-0" x 7'-0"	EXISTING	3	-	H.M.	◇	CLASSROOM LOCKSET		

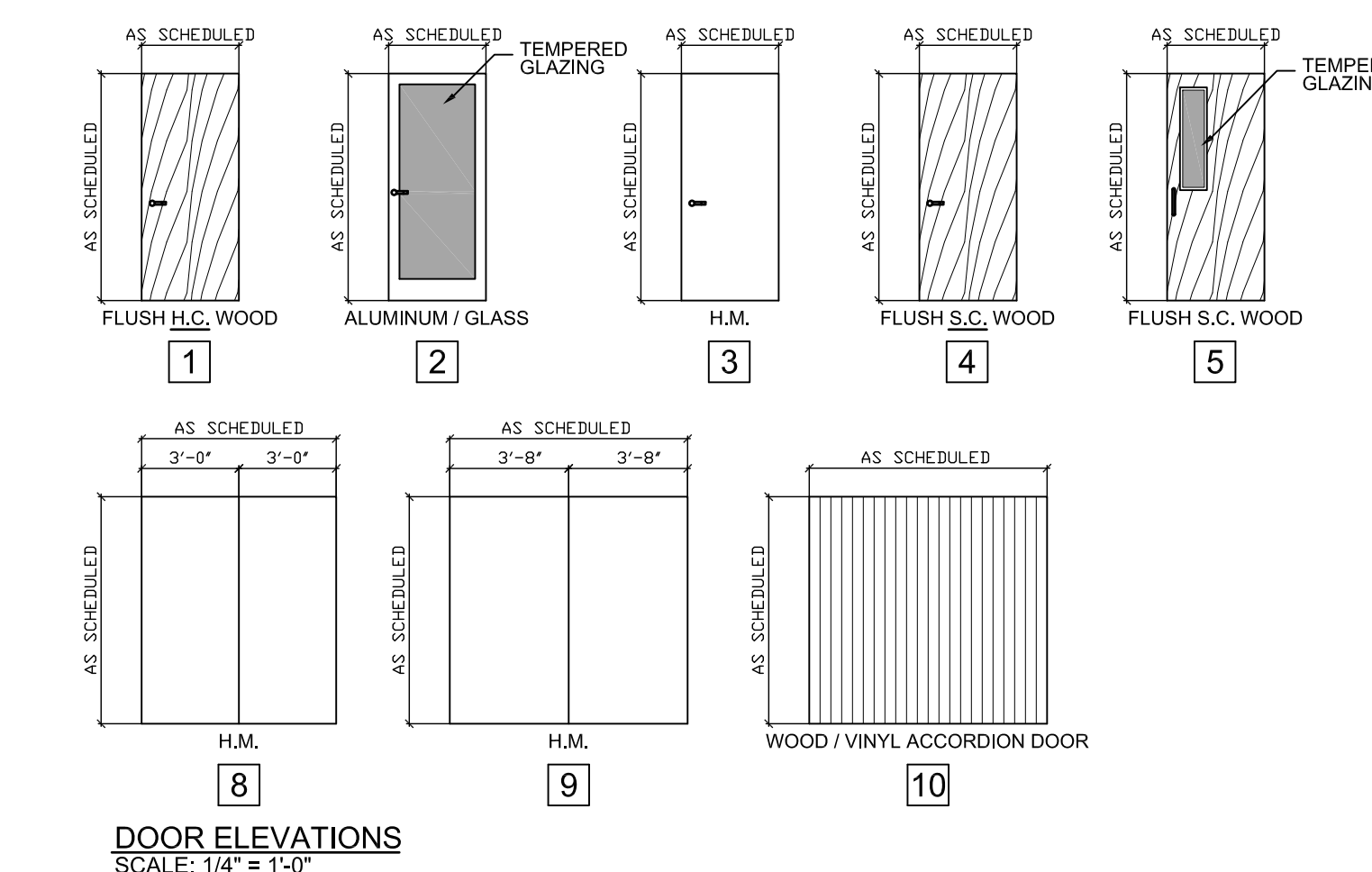
REMARKS:
 1. 5'-0" TALL LOW DOOR AT SOUND BOOTH ENTRY.
 2. ALUMINUM STOREFRONT DOOR WITH TEMPERED GLAZING.
 3. 48" TALL HALF DOOR.
 4. ALUMINUM STOREFRONT DOOR WITH PANIC HARDWARE.
 5. SOLID CORE WOOD DOOR WITH PANIC HARDWARE.
 6. ALUMINUM STOREFRONT DOOR WITH PANIC HARDWARE.
 7. DOORS WITH SELF-CLOSERS.

INTERIOR & EXTERIOR DOOR ACCESSIBILITY NOTE
 ALL DOORS SHALL BE OPERABLE BY A SINGLE EFFORT. THE DOORS, AND CLOSERS SHALL BE ADJUSTED SUCH THAT EXTERIOR SWINGING DOORS CAN BE OPERATED BY NOT MORE THAN 8.5 POUNDS OF FORCE ON THE LATCH STILE, INTERIOR DOORS BY NOT MORE THAN 5.0 POUNDS OF FORCE.

NOTE: HANDRAILS, PULLS, LOCKSETS, AND OTHER OPERATING MECHANISMS ON ALL DOORS, AND OTHER MECHANISMS, OR U-SHAPED HANDLES SHALL HAVE A SHAPE THAT IS EASY TO GRASP WITH ONE HAND AND DOES NOT REQUIRE TIGHT GRASPING, TIGHT PINCHING, OR TWISTING OF THE WRIST TO OPERATE. THIS REQUIREMENT SHALL BE SATISFIED BY THE 5 POUND FEET STANDARD. ALL DOORS SHALL MEET ACCESSIBILITY REQUIREMENTS AS PER CODES STATED ON THE COVER SHEET.

DOOR SCHEDULE NOTES
 1. ALL DOORS SHALL HAVE LEVER TYPE HARDWARE PER CODE.
 2. FINISH, TYPE, AND COLOR OF ALL DOORS, WINDOWS, AND FRAMES TO BE COORDINATED WITH OWNER.
 3. COORDINATE ALL DOORS AND FINISHES WITH OWNER PRIOR TO BID.
 4. DOOR SUPPLIER SHALL SUBMIT DOOR HARDWARE SCHEDULE TO THE OWNER FOR APPROVAL PRIOR TO CONSTRUCTION.
 5. INSTALL PANIC, EXIT, CODE COMPLIANT, AND FIRE HARDWARE AS REQUIRED BY CODE.
 6. ALL HARDWARE SHALL BE COMMERCIAL GRADE AND SHALL BE SELECTED BY OWNER.
 7. ALL DOORS SHALL HAVE SILENCERS AND FLOOR-MOUNTED DOOR STOPS.

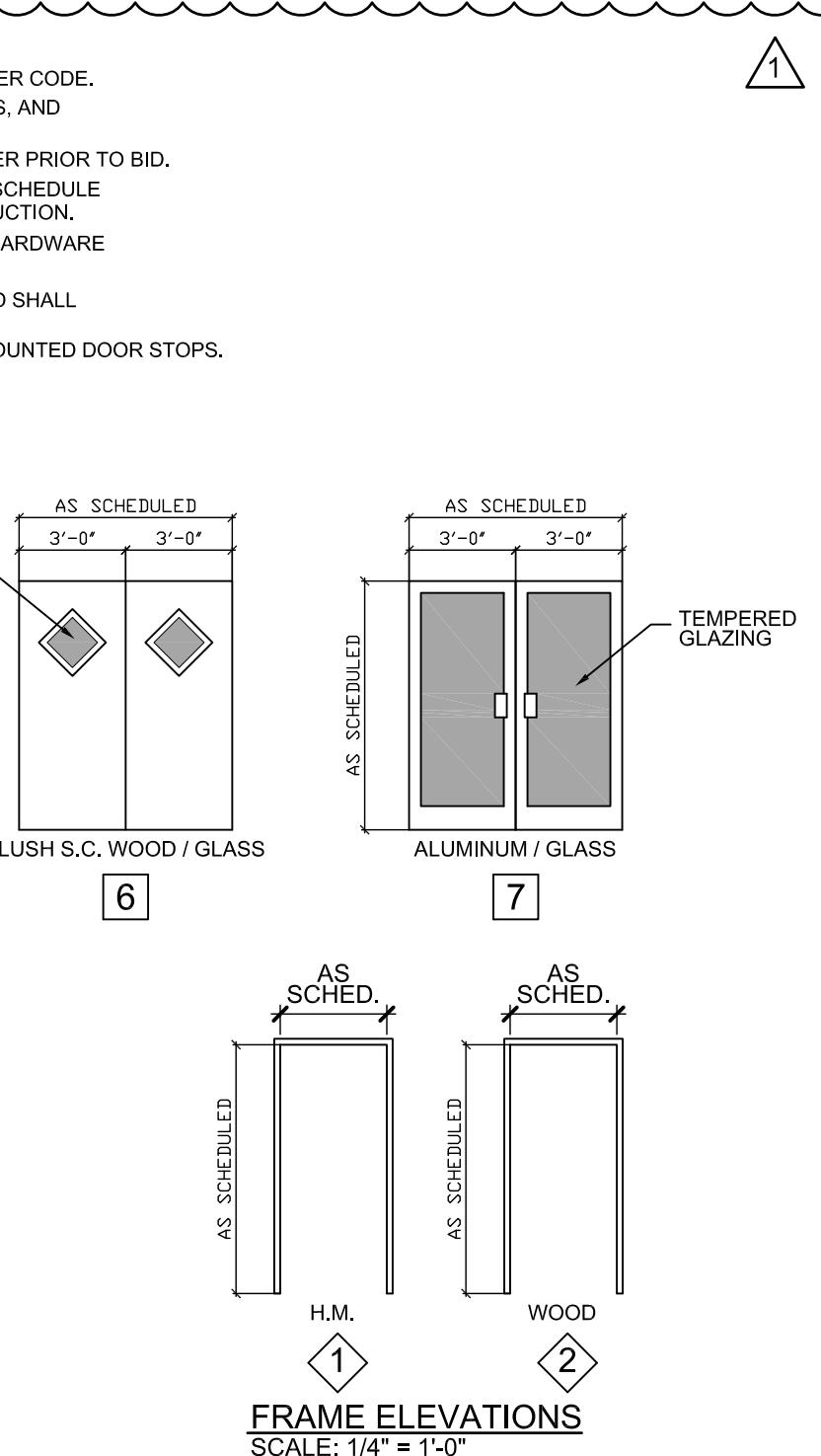
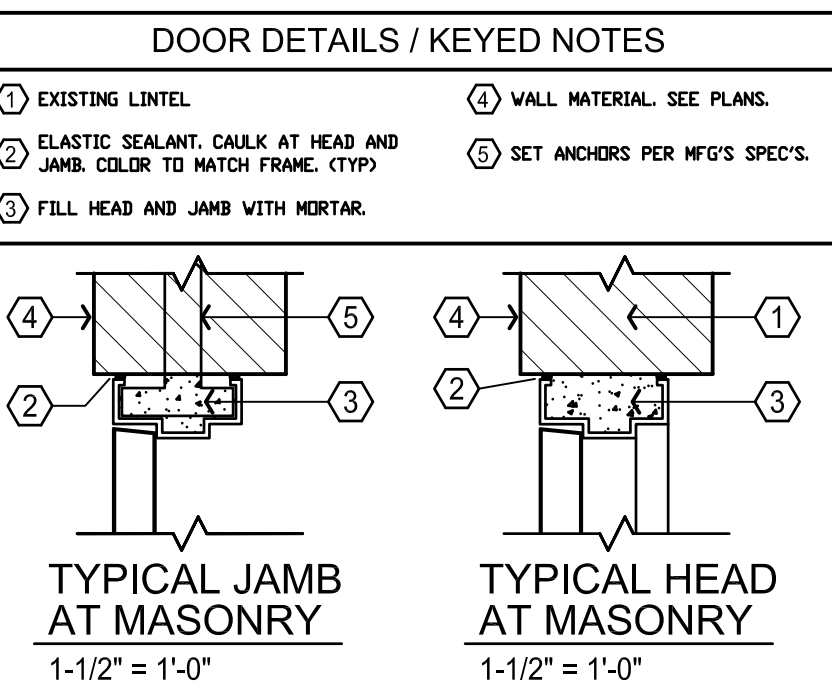
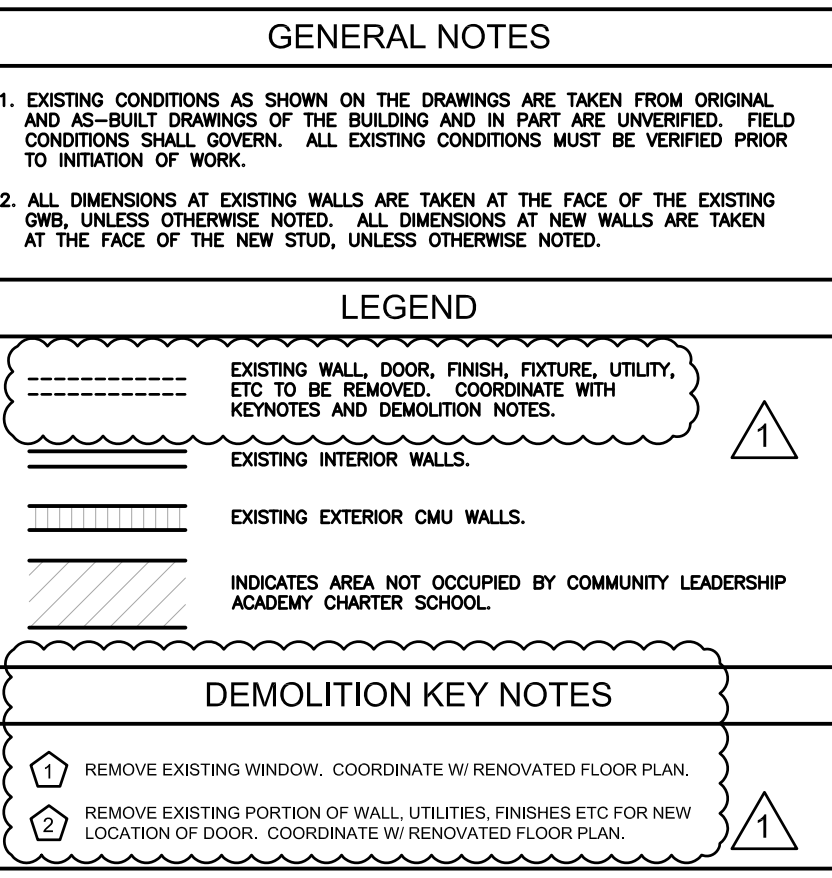
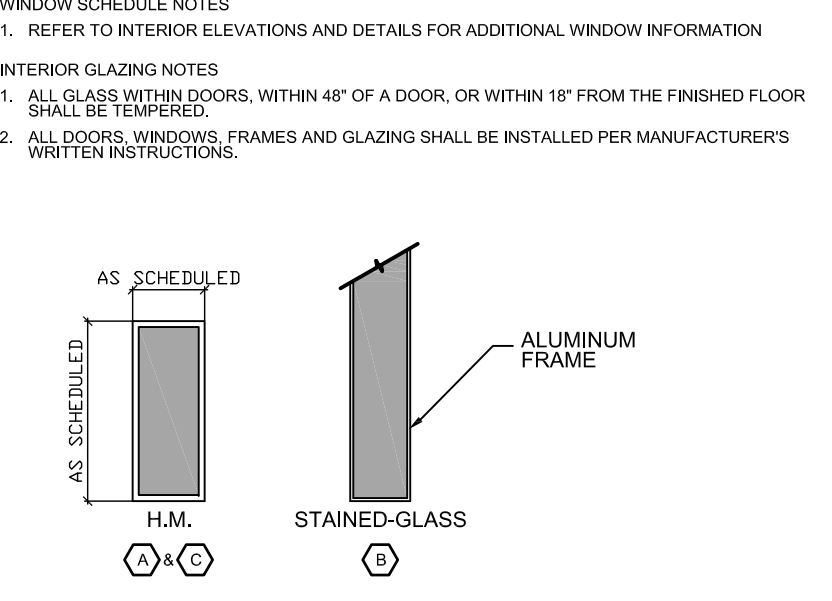
THE ELEVATION OF THE FLOOR SURFACE ON BOTH SIDES OF ANY DOOR SHALL NOT VARY BY MORE THAN 1/4" FOR A DISTANCE NOT LESS THAN THE WIDTH OF THE WIDEST LEAF. NFPA 101, SECTION 7.2.1.3.1 & 7.2.1.3.2, FLORIDA 2010 EDITION.



WINDOW SCHEDULE					
MARK	UNIT SIZE		TYPE	FRAME MATERIAL	REMARKS
	WIDTH	HEIGHT			
INTERIOR WINDOW					
A	2'-0"	5'-0"	ALUM. STOREFRONT	ALUM.	1
B	1'-8"	-	STAINED GLASS	ALUM.	3
C	2'-0"	5'-0"	ALUM. STOREFRONT	ALUM.	2

REMARKS:
 1. TEMPERED GLAZING. COORD. W/ ELEVATIONS. THIS SHEET
 2. OPERABLE EGRESS WINDOW - OPENS TO EXTERIOR BALCONY
 3. FLOOR TO CEILING HEIGHT STAINED GLASS WINDOW

WINDOW SCHEDULE NOTES
 1. REFER TO INTERIOR ELEVATIONS AND DETAILS FOR ADDITIONAL WINDOW INFORMATION
 INTERIOR GLAZING NOTES
 1. ALL GLASS WITHIN DOORS, WITHIN 48" OF A DOOR, OR WITHIN 18" FROM THE FINISHED FLOOR SHALL BE TEMPERED.
 2. ALL DOORS, WINDOWS, FRAMES AND GLAZING SHALL BE INSTALLED PER MANUFACTURER'S WRITTEN INSTRUCTIONS.



COMMUNITY LEADERSHIP ACADEMY AT
 PIEDMONT PARK ALLIANCE CHURCH, TALLAHASSEE, FLORIDA

SECOND FLOOR PLAN - EXISTING CONDITIONS
 DOOR SCHEDULE, WINDOW SCHEDULE & NOTES

CONN ARCHITECTS & ASSOCIATES
 WWW.CONNARCHITECTS.COM • LICENSE NO. AA-C001562

DATE: NOVEMBER 17, 2014
 DRAWN BY: D.B.C.
 REVISED: DEC. 23, 2014
 SHEET NUMBER: A1.1