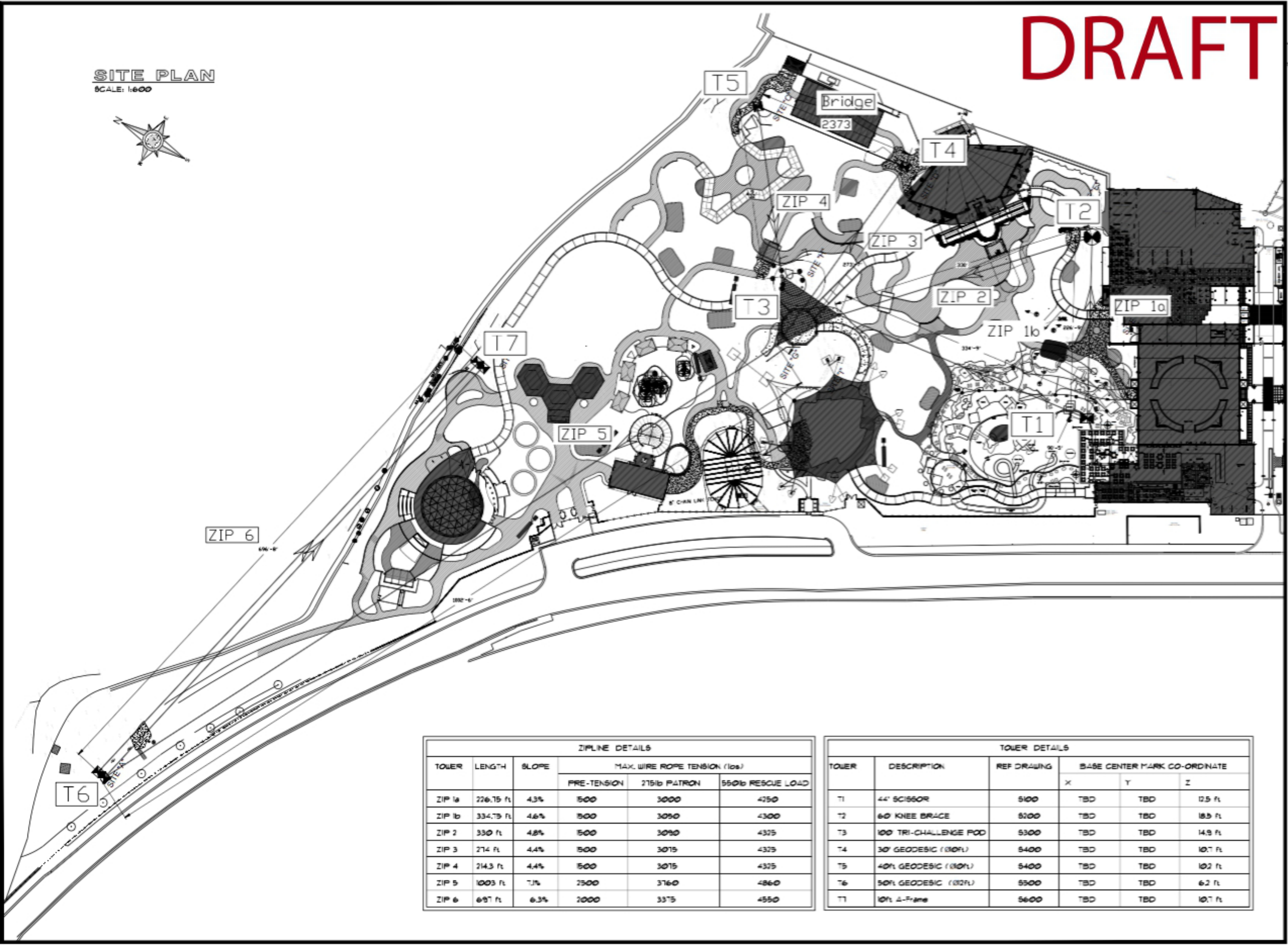


DRAFT

SITE PLAN

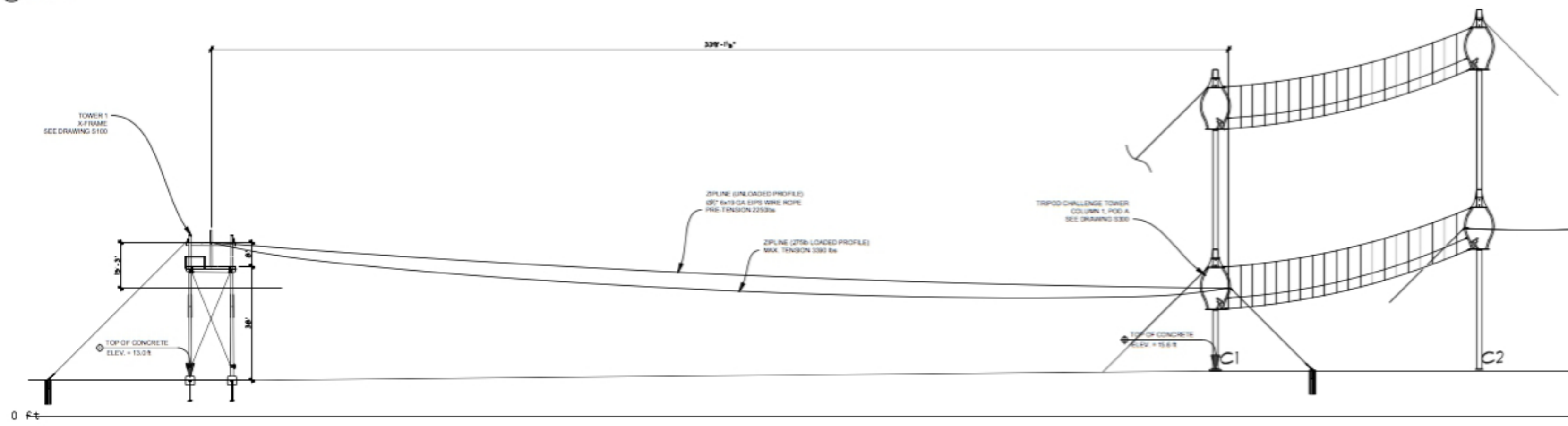
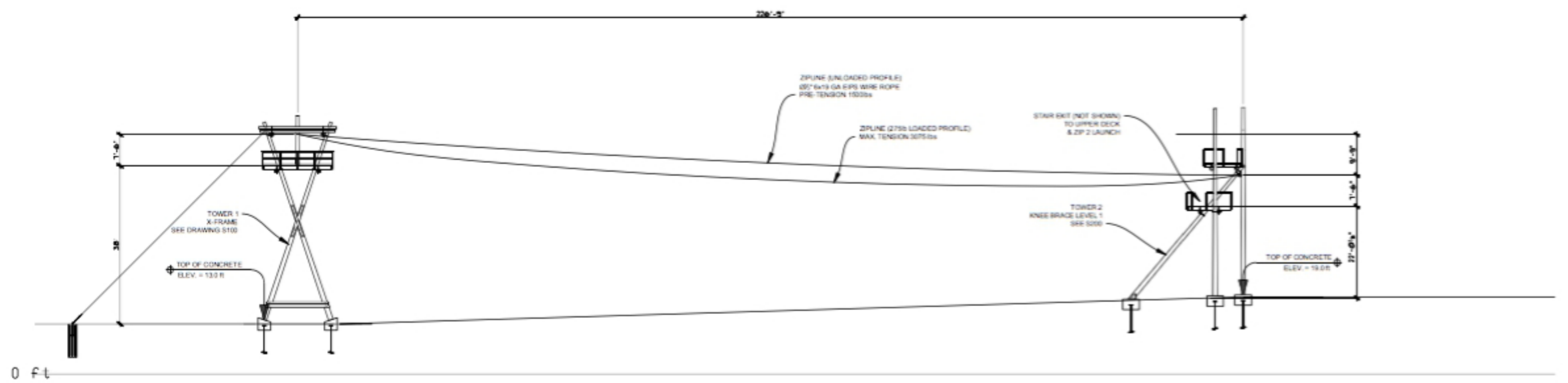
SCALE: 1:600



ZIPLINE DETAILS					
TOWER	LENGTH	SLOPE	MAX. WIRE ROPE TENSION (lbs)		
			PRE-TENSION	275lb PATRON	550lb RESCUE LOAD
ZIP 1a	226.75 ft	4.3%	500	3000	4250
ZIP 1b	334.75 ft	4.6%	500	3050	4300
ZIP 2	330 ft	4.8%	500	3090	4375
ZIP 3	274 ft	4.4%	500	3075	4325
ZIP 4	214.3 ft	4.4%	500	3075	4325
ZIP 5	1003 ft	7.1%	2500	3760	4860
ZIP 6	687 ft	6.3%	2000	3375	4550

TOWER DETAILS					
TOWER	DESCRIPTION	REF DRAWING	BASE CENTER MARK CO-ORDINATE		
			X	Y	Z
T1	44' SCISSOR	5100	TBD	TBD	12.5 ft
T2	60' KNEE BRACE	5200	TBD	TBD	18.5 ft
T3	100' TRI-CHALLENGE POD	5300	TBD	TBD	14.9 ft
T4	30' GEODESIC (100%)	5400	TBD	TBD	10.7 ft
T5	40' GEODESIC (100%)	5400	TBD	TBD	10.2 ft
T6	50' GEODESIC (102%)	5500	TBD	TBD	6.2 ft
T7	10' Δ-Frame	5600	TBD	TBD	10.7 ft

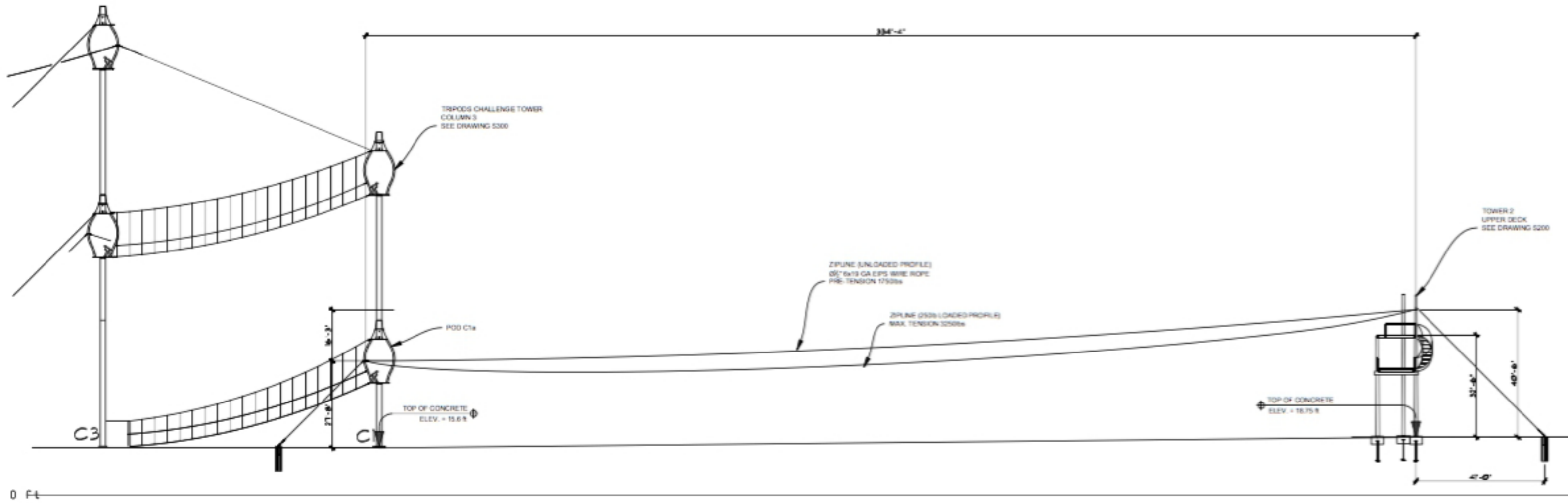
DRAFT



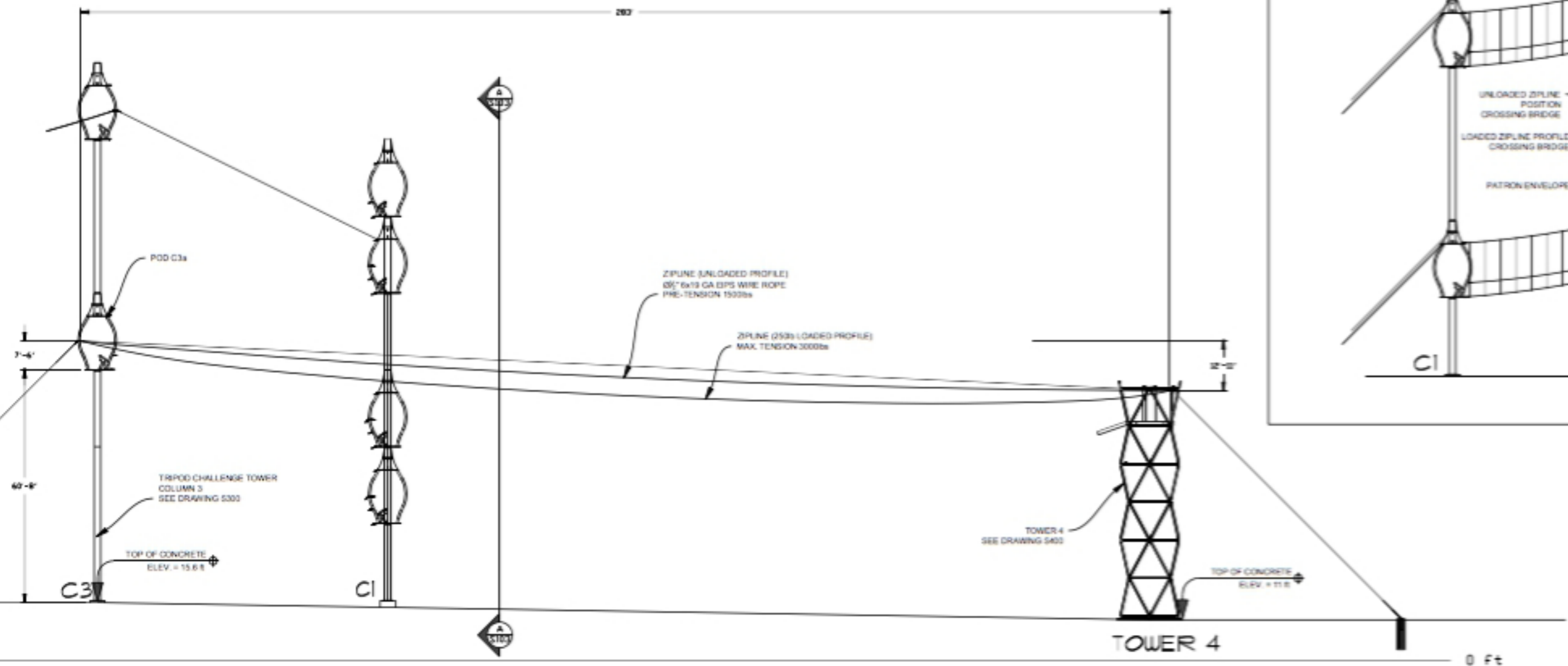
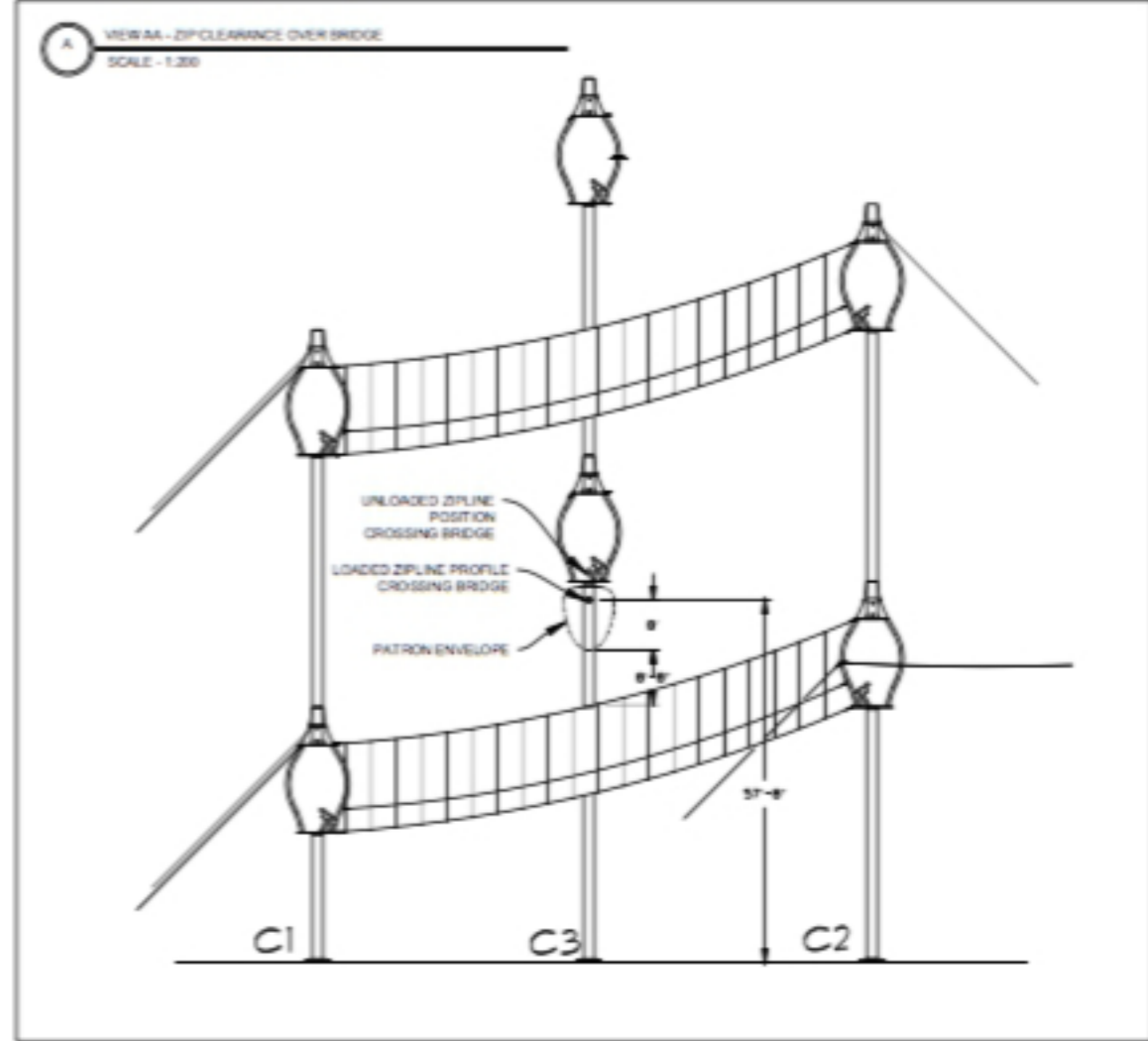
1

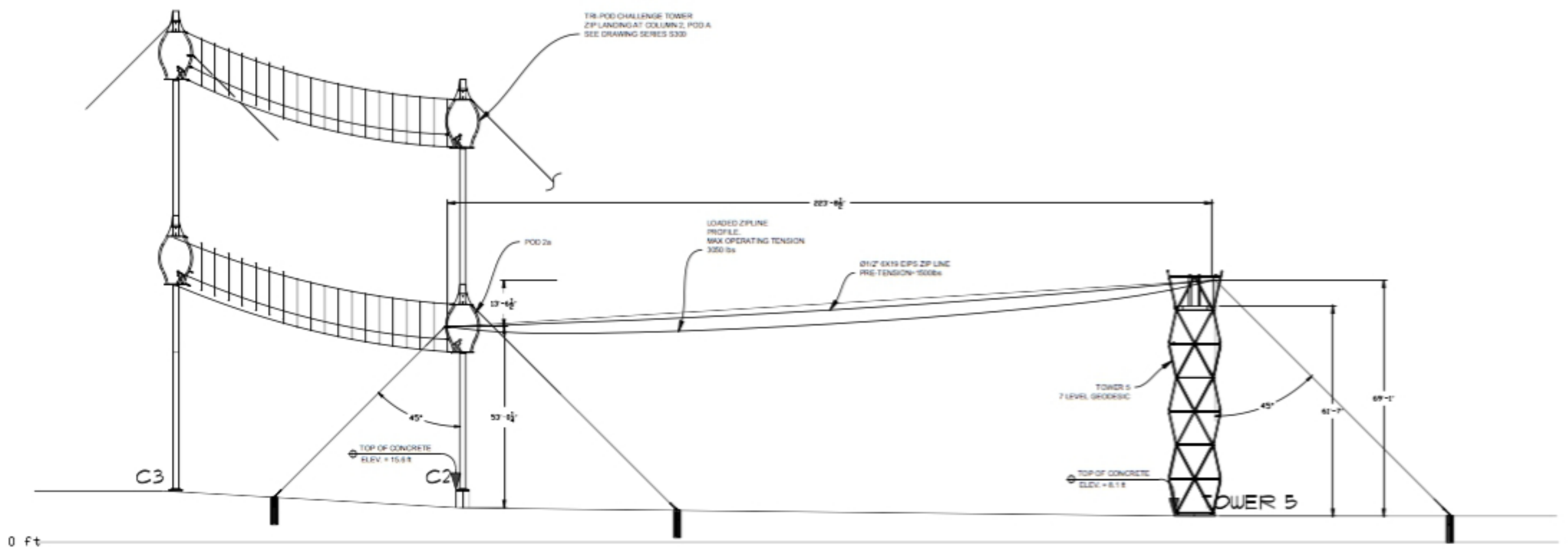
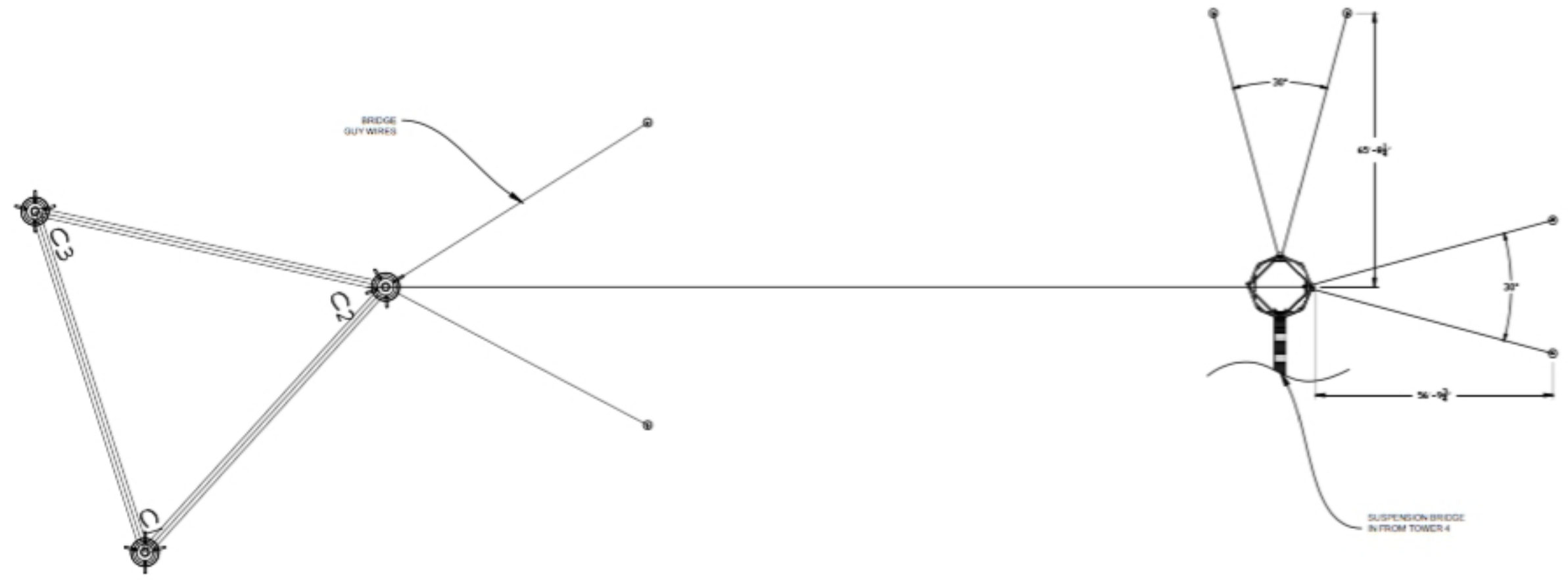
ZP 2 PROFILE
SCALE: 1/200

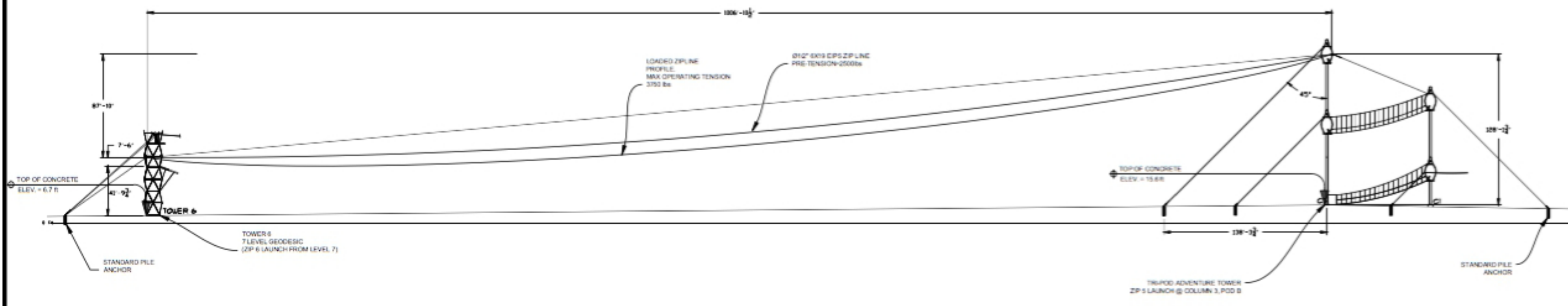
DRAFT

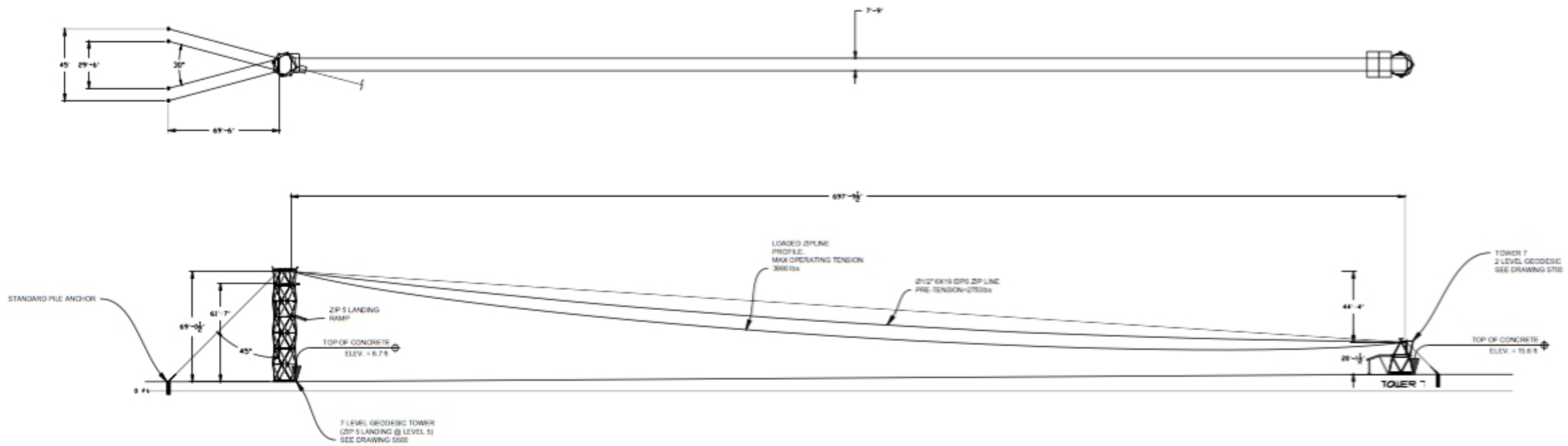


DRAFT

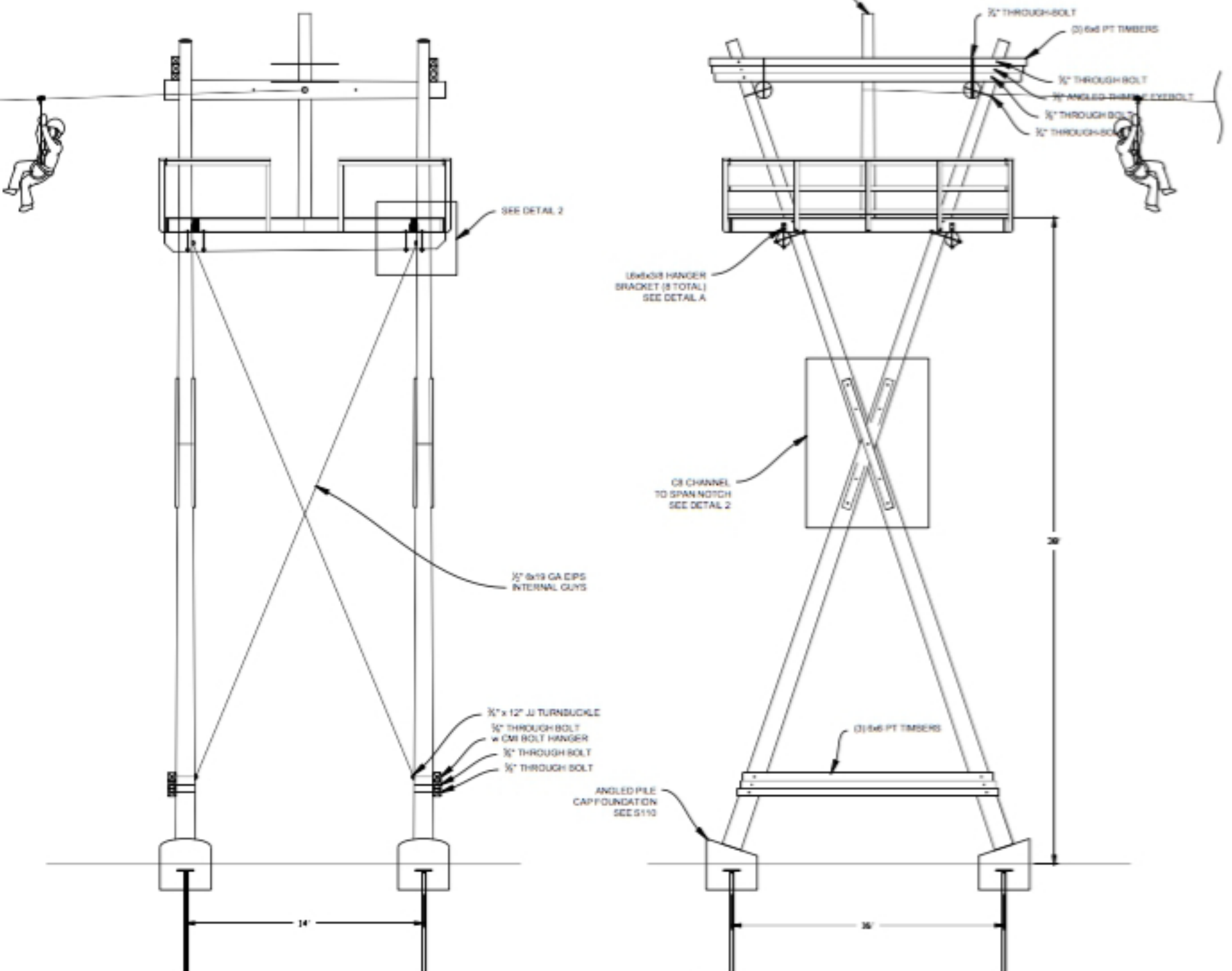
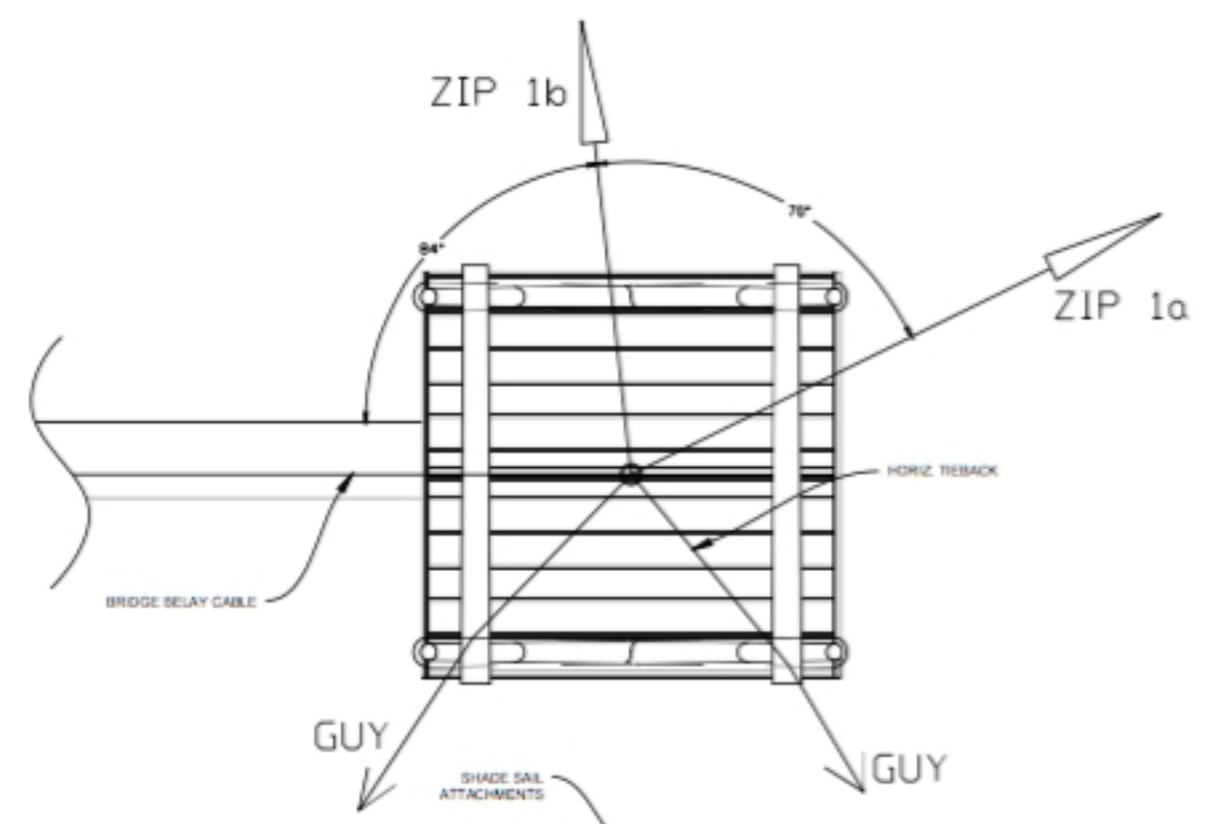






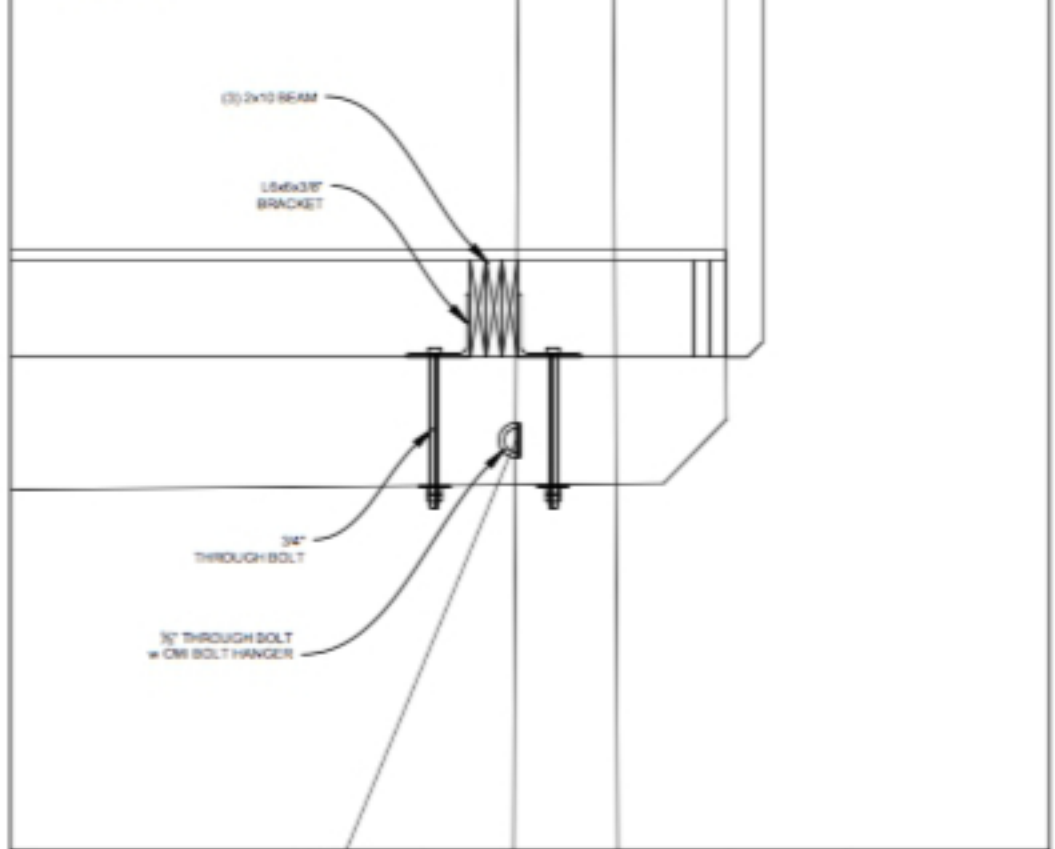


1 TOWER 1 LAYOUT
SCALE - 1/50

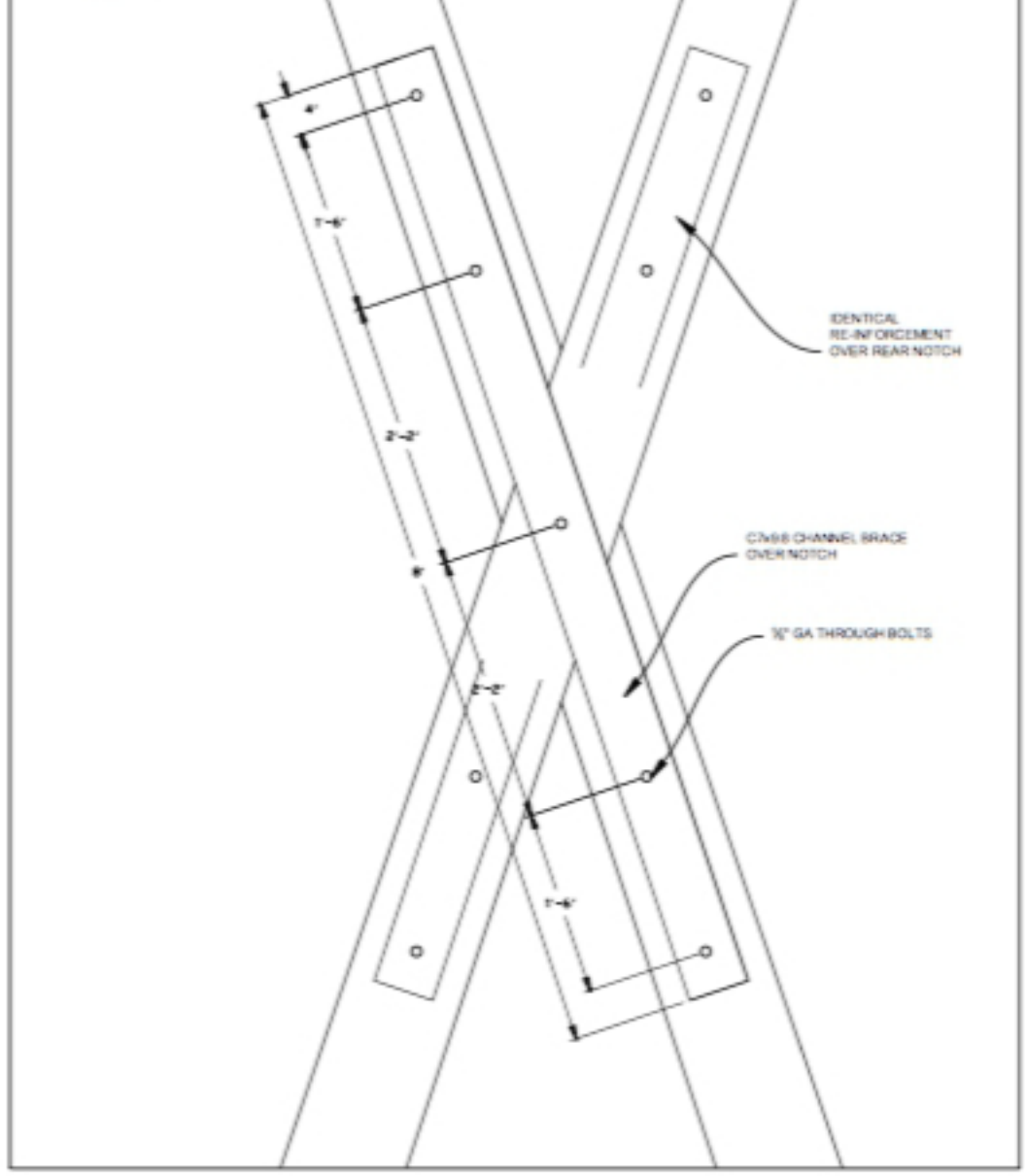


DRAFT

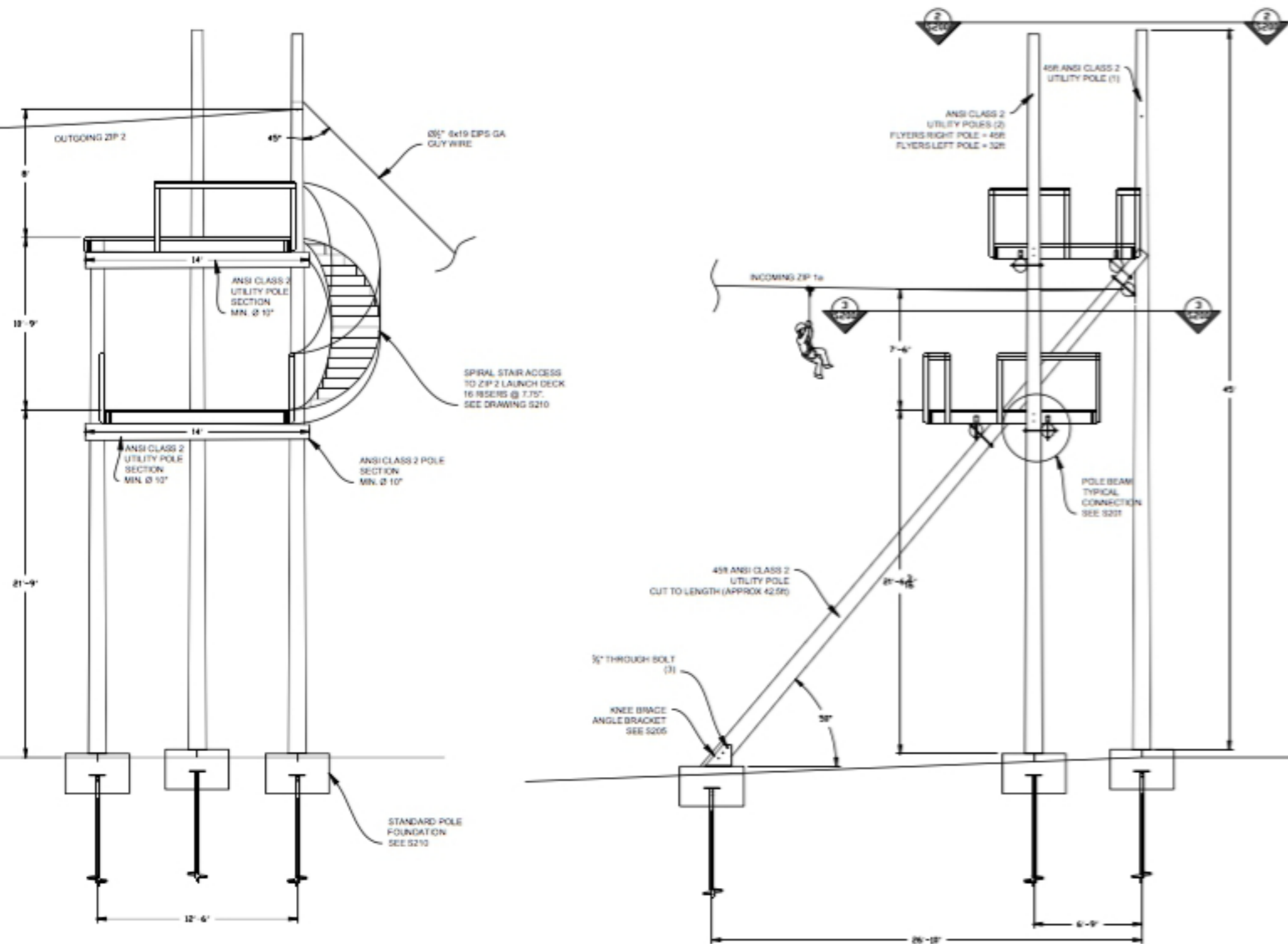
2 POLE BEAM CONNECTION
SCALE - 1/10



3 POLE BRACES
SCALE - 1/10

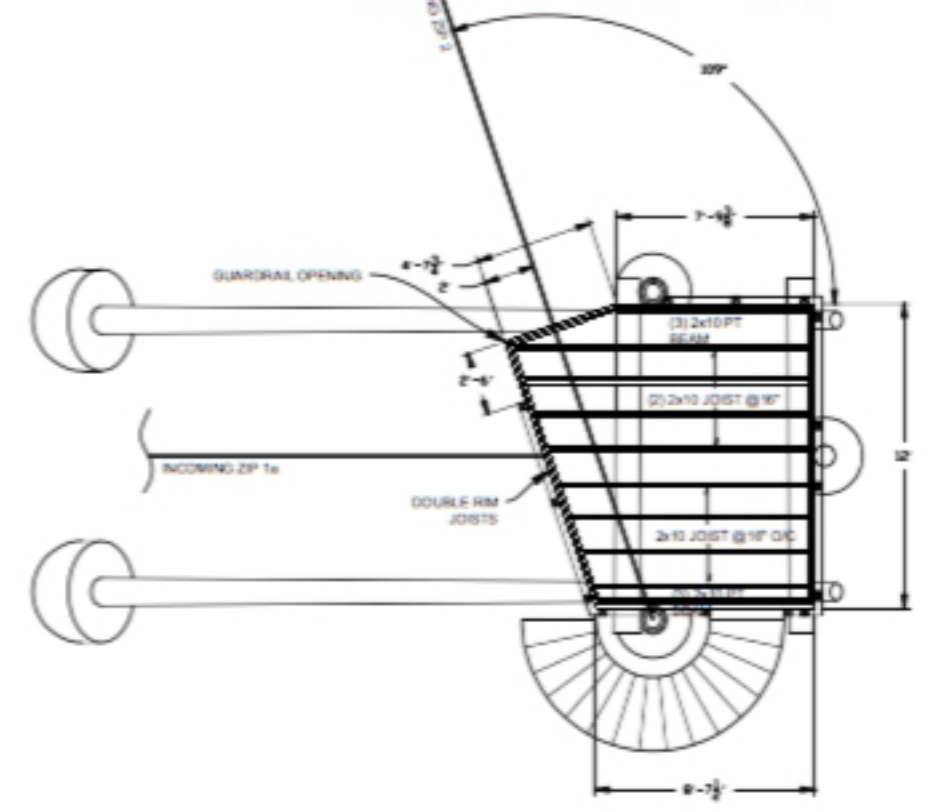


1 TOWER 2 LAYOUT
SCALE - 1/50

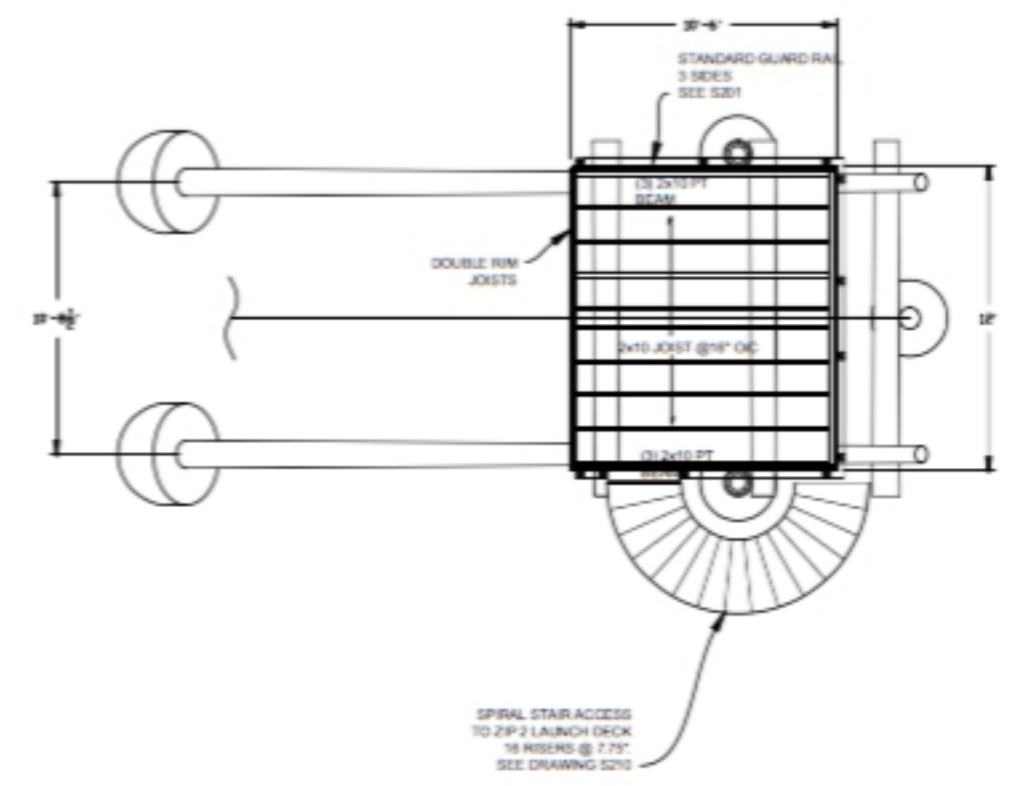


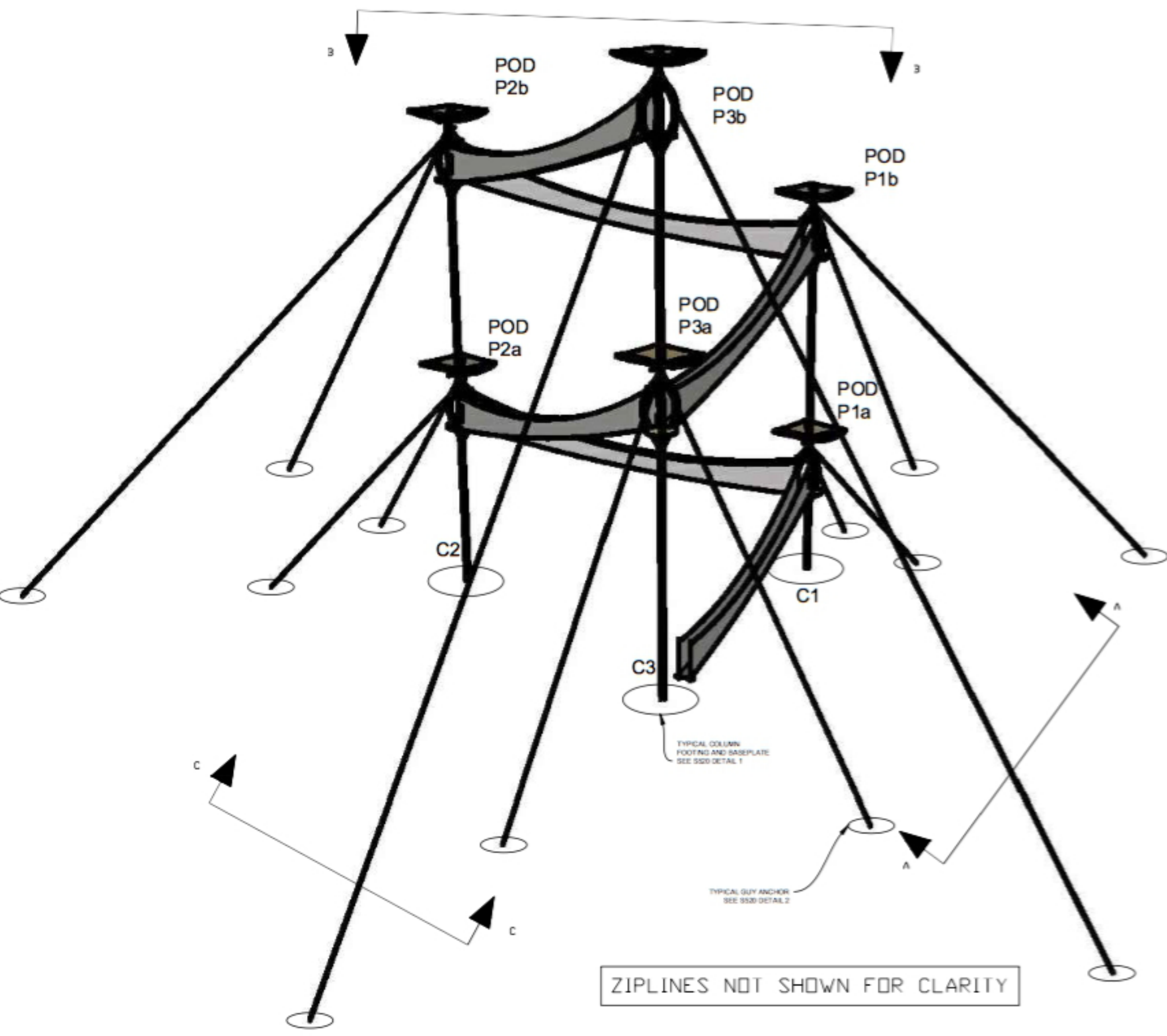
2 ZP 2 LAUNCH DECK
SCALE - 1/30

DRAFT

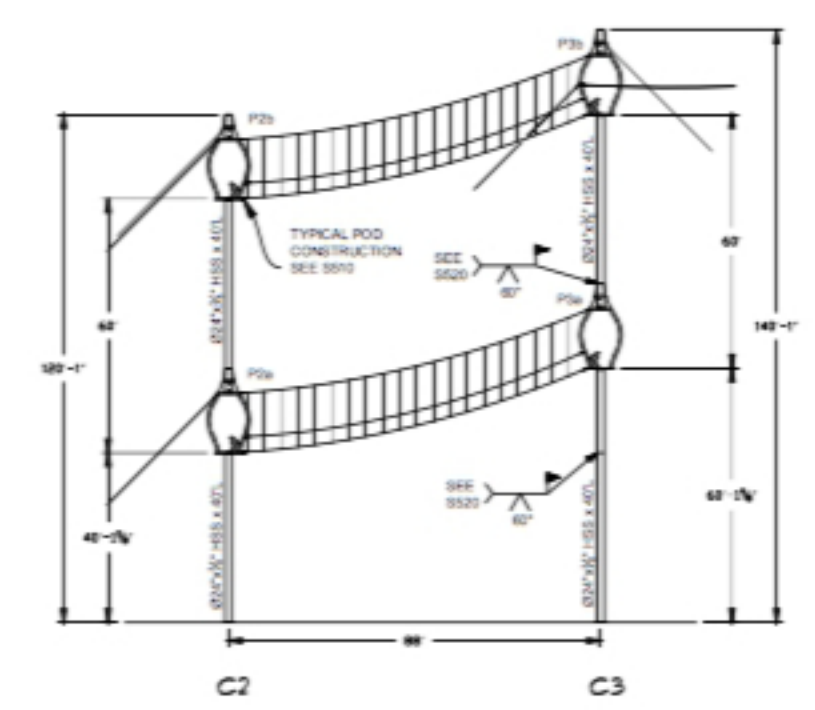
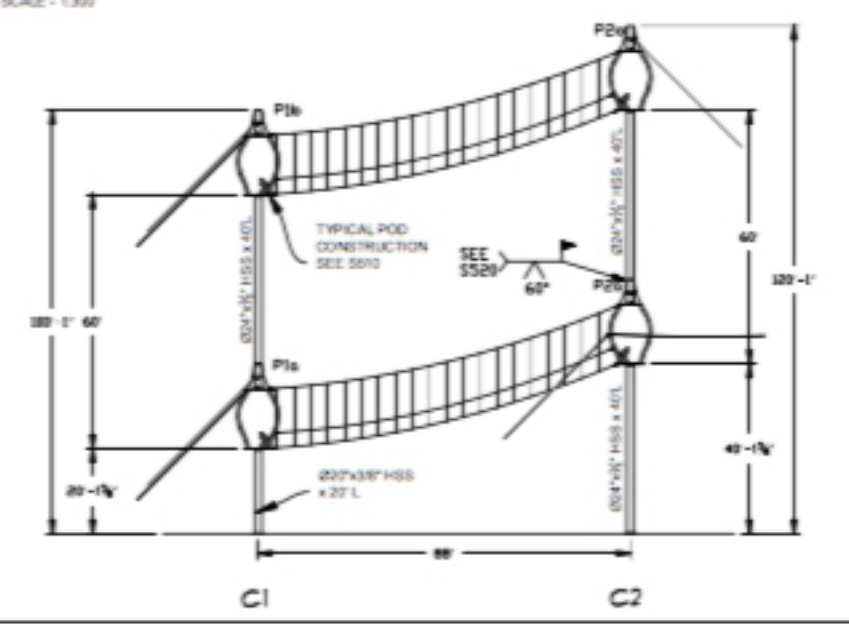
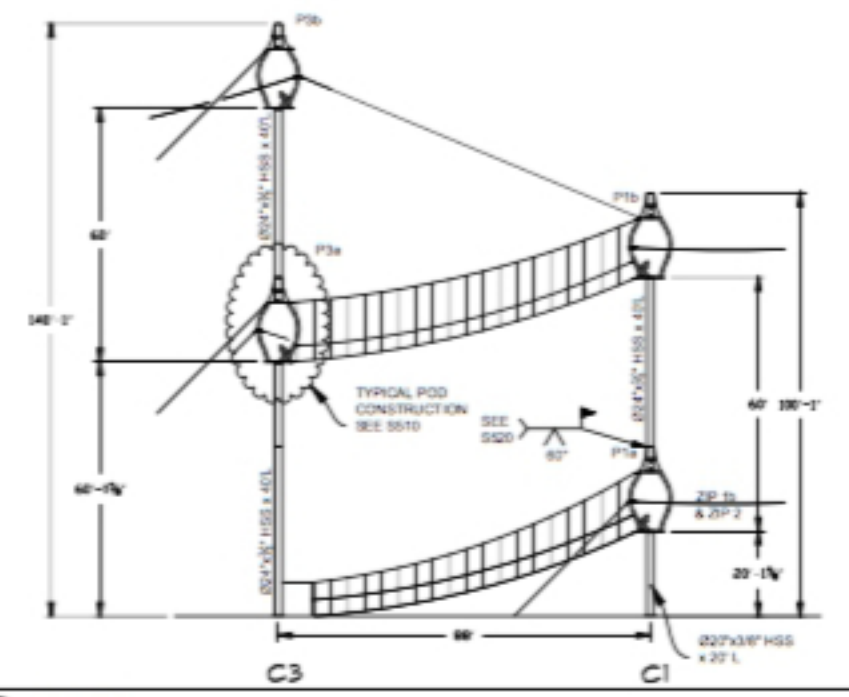


3 ZP 1a OFFLOAD DECK
SCALE - 1/30

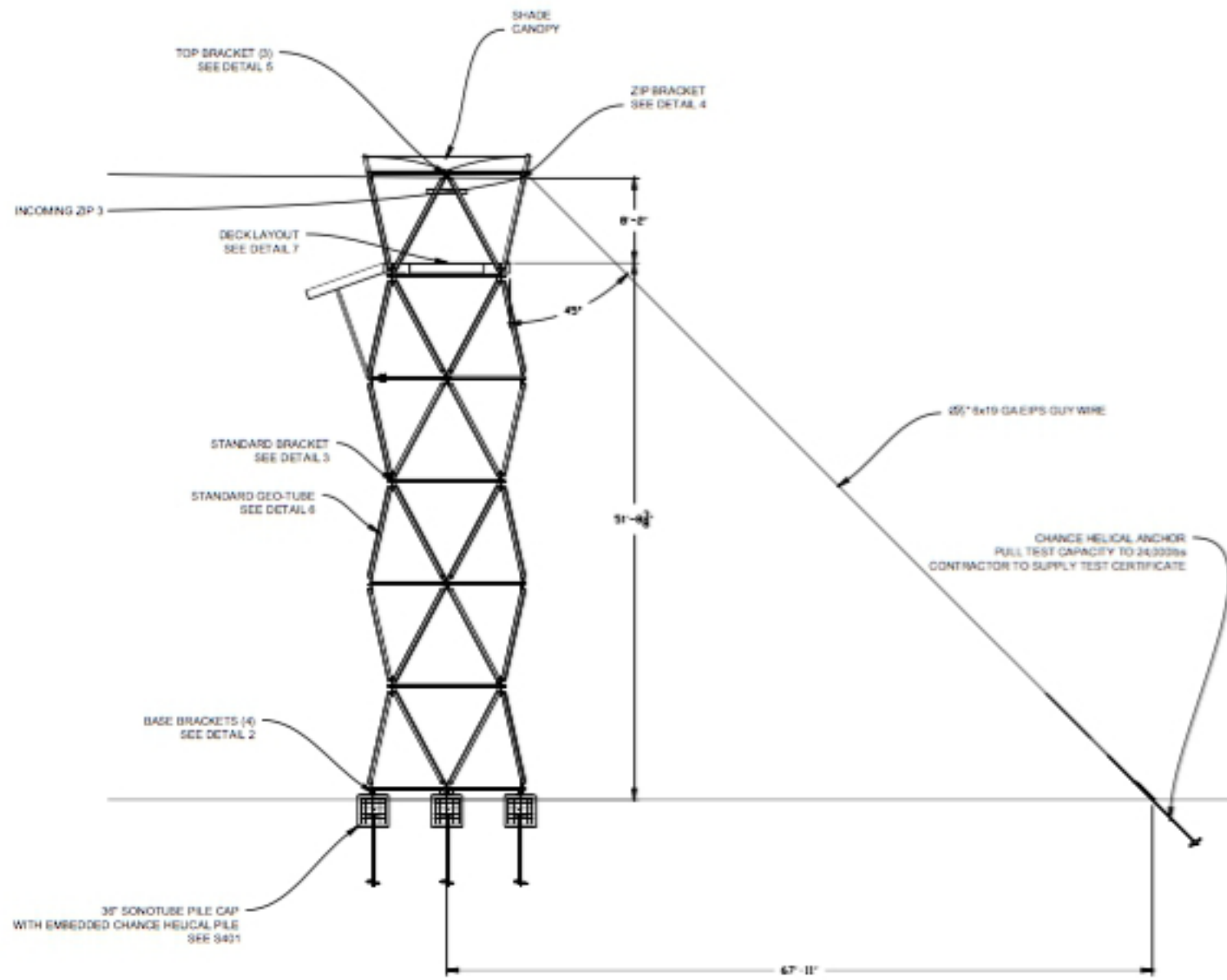
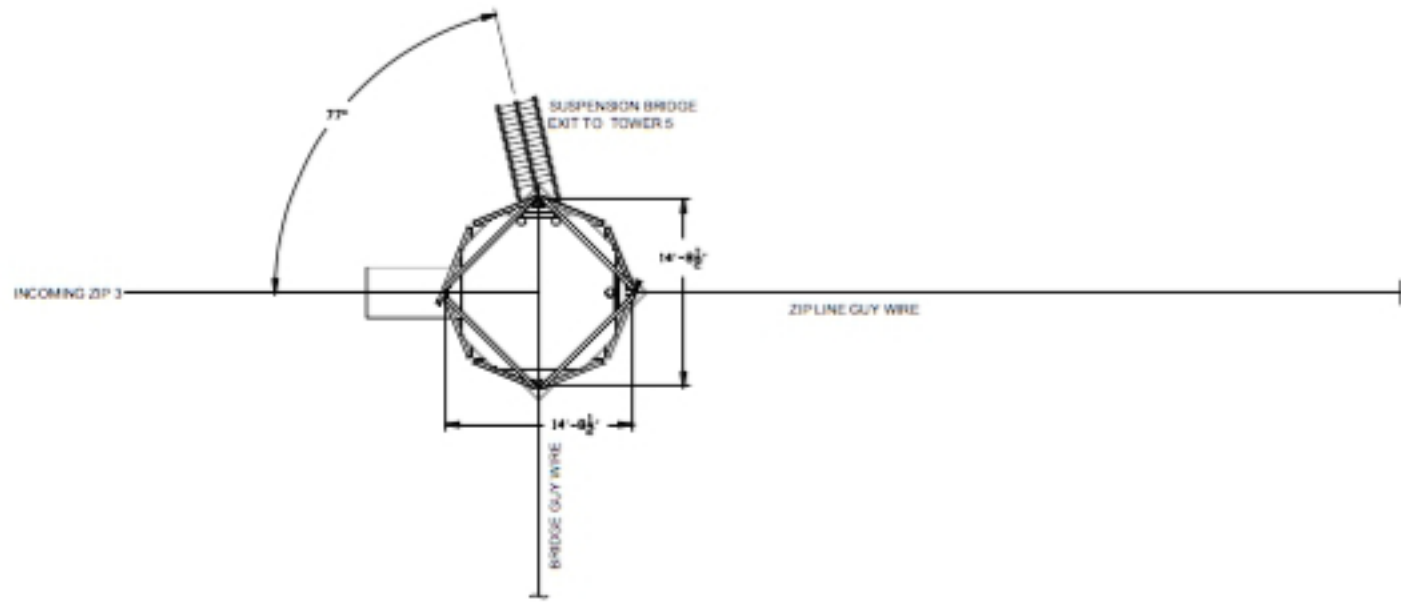




DRAFT

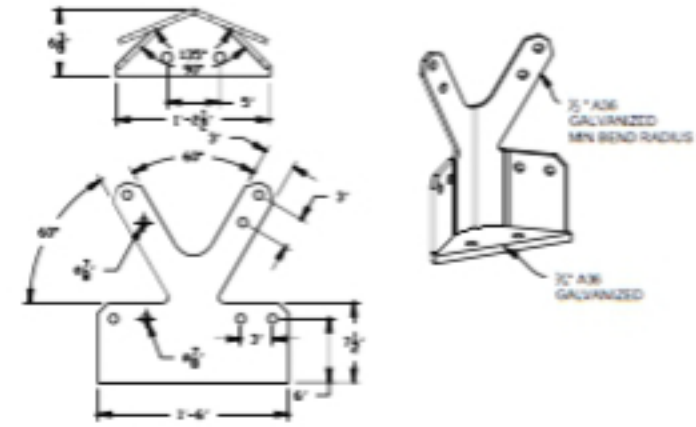


1 TOWER 4 LAYOUT
SCALE - 1/8" = 1'-0"

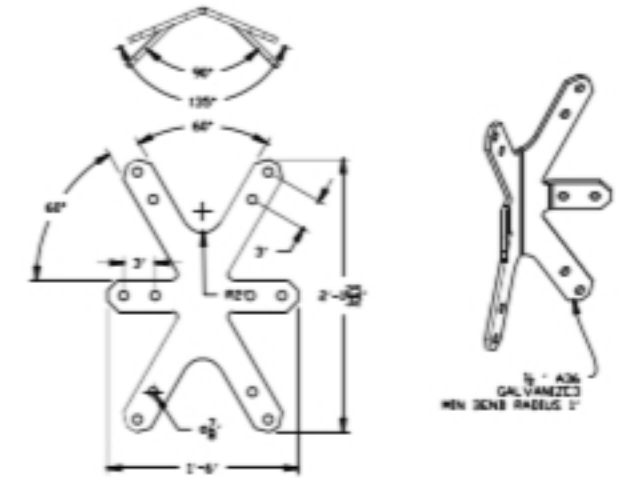


DRAFT

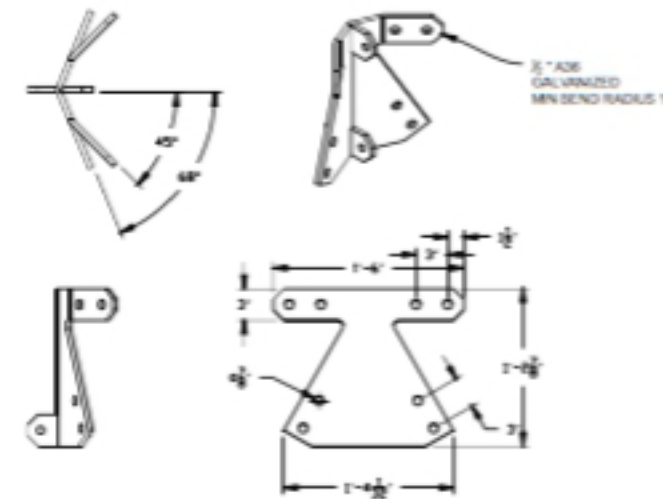
2 BASE BRACKET
SCALE - 1/10



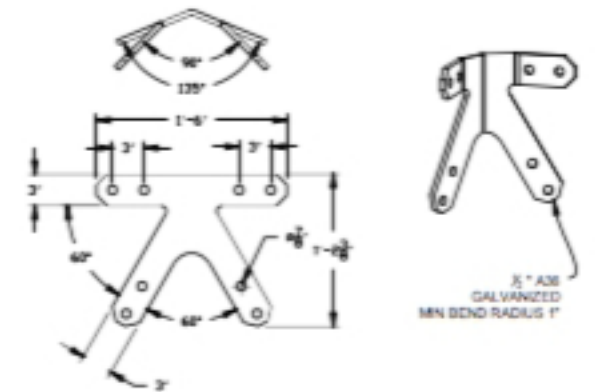
3 STANDARD BRACKET
SCALE - 1/10



4 ZIP BRACKET
SCALE - 1/10



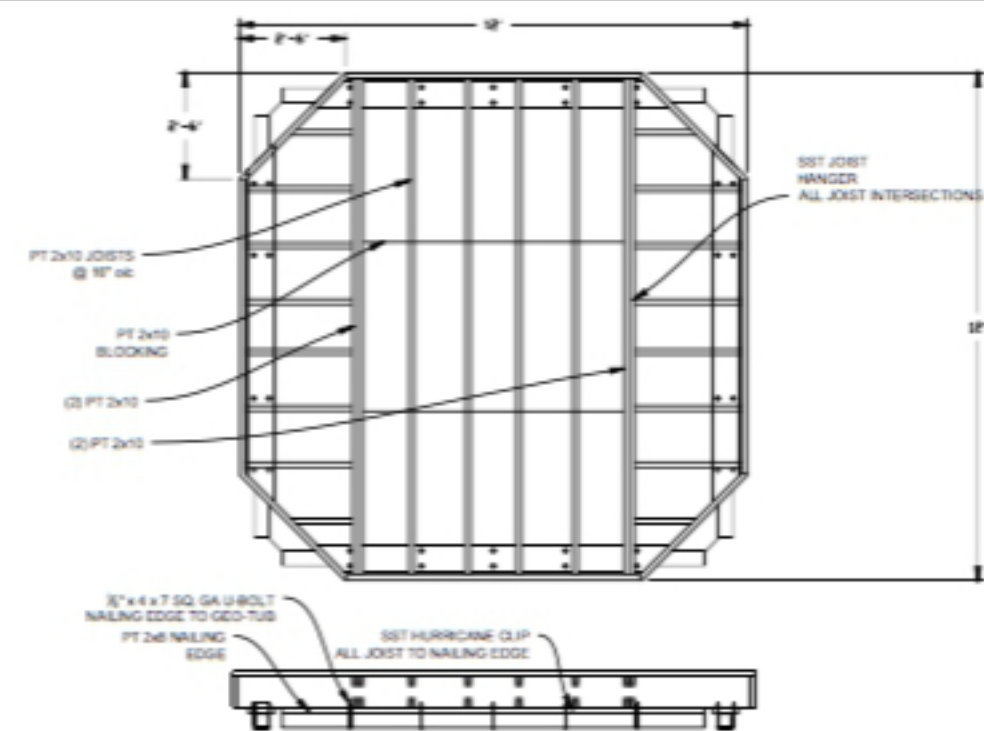
5 TOP BRACKET
SCALE - 1/10



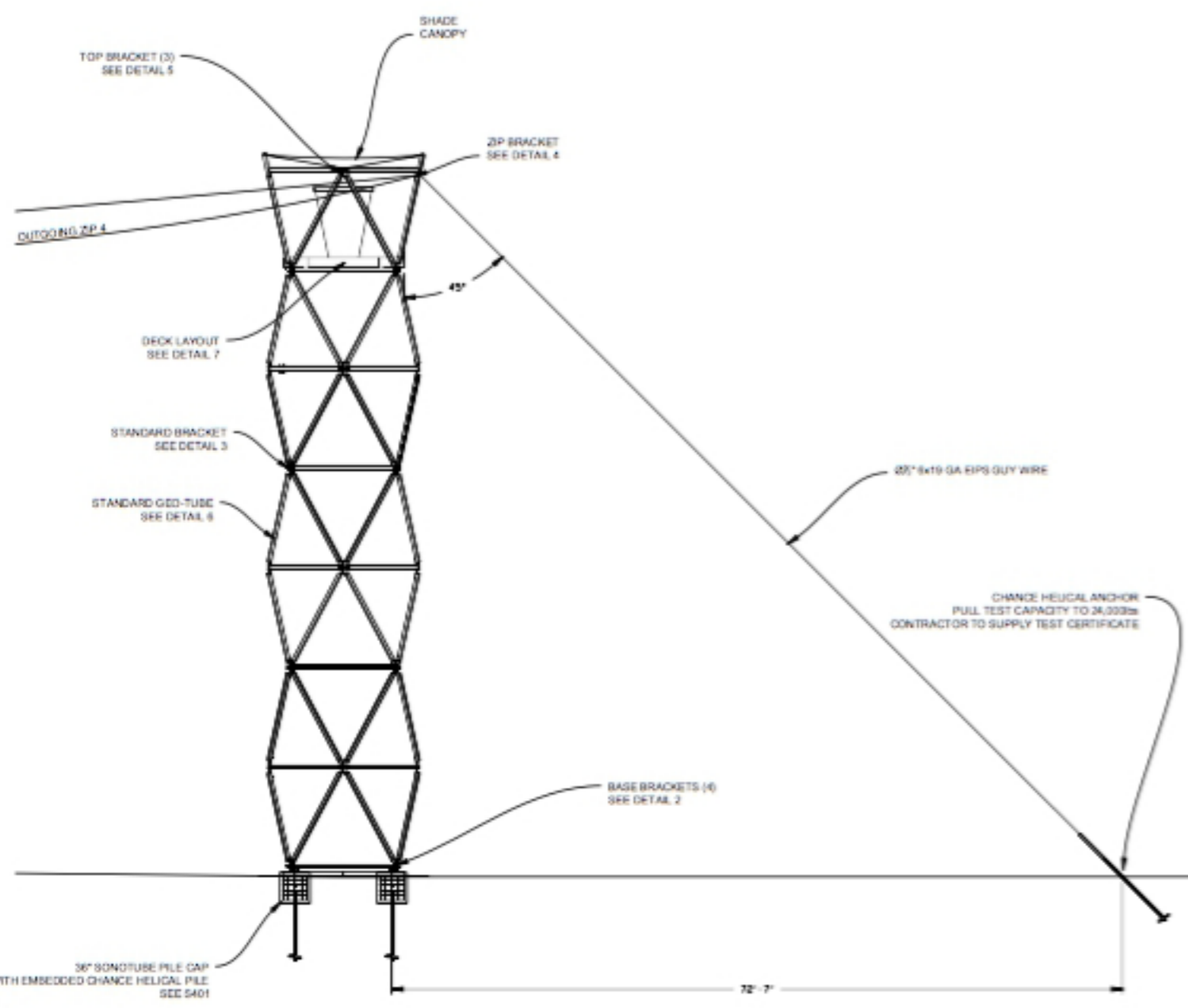
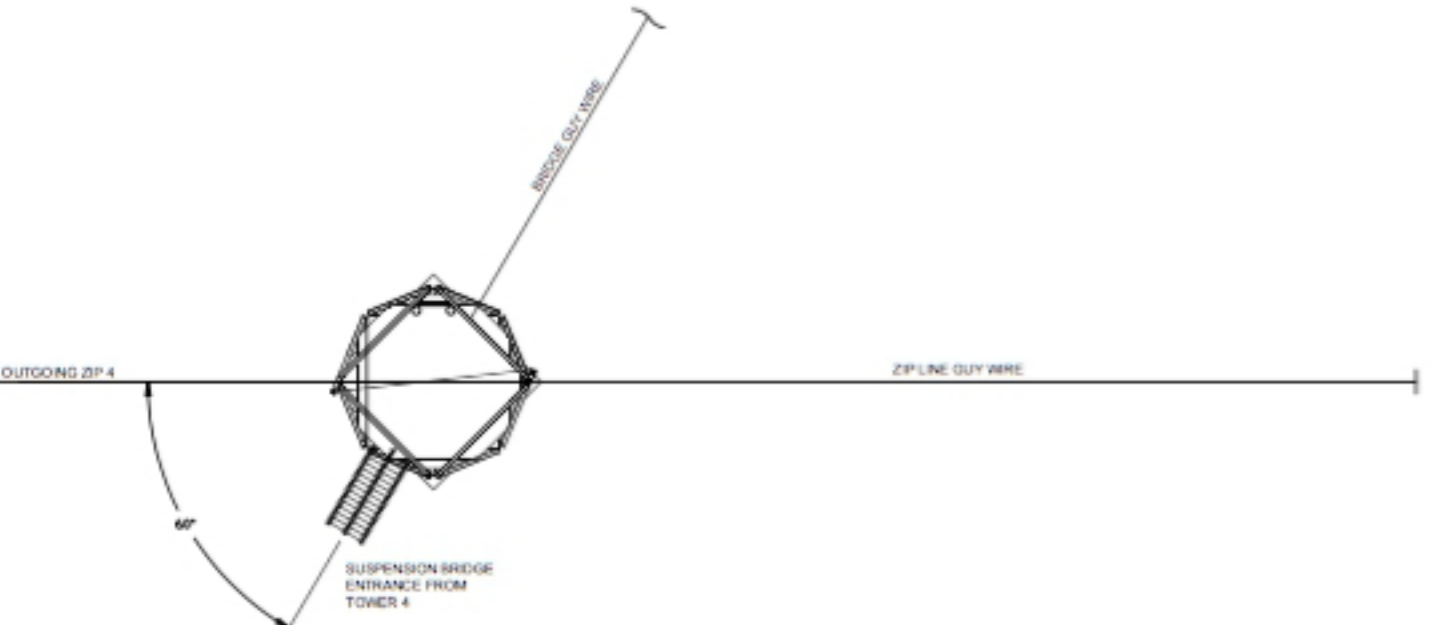
6 STANDARD GEO-TUBE
SCALE - 1/30



7 DECK LAYOUT
SCALE - 1/10

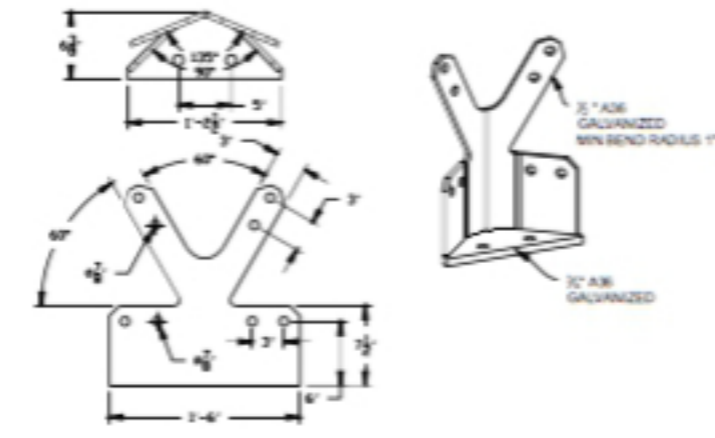


1 TOWER 5 LAYOUT
SCALE - 1:100

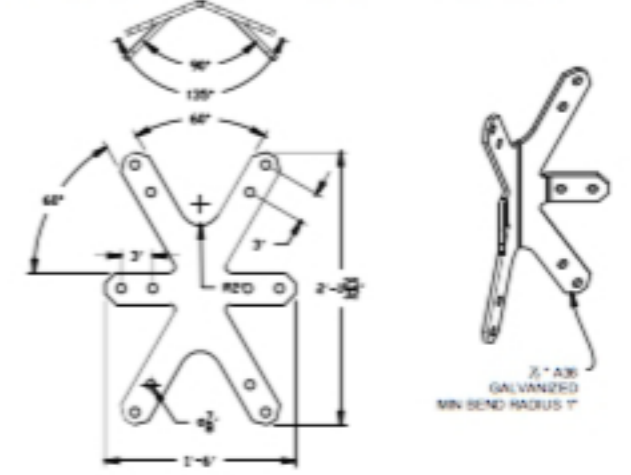


DRAFT

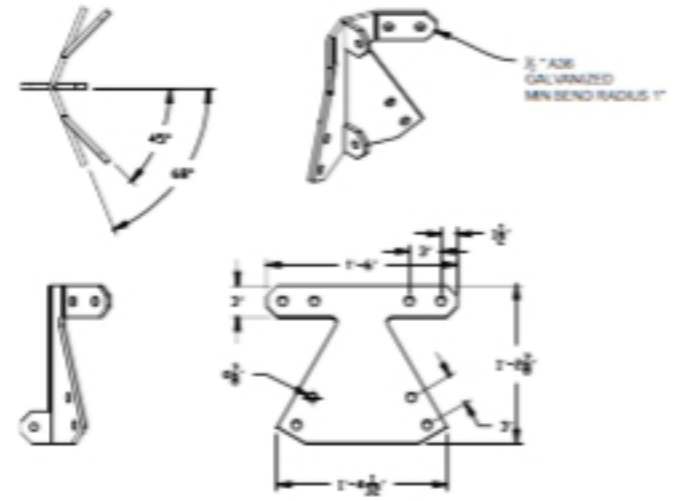
2 BASE BRACKET
SCALE - 1:10



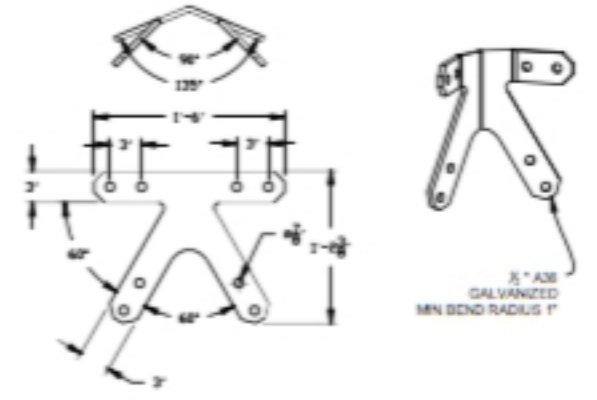
3 STANDARD BRACKET
SCALE - 1:10



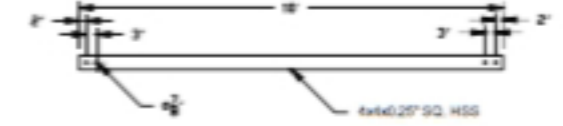
4 ZIP BRACKET
SCALE - 1:10



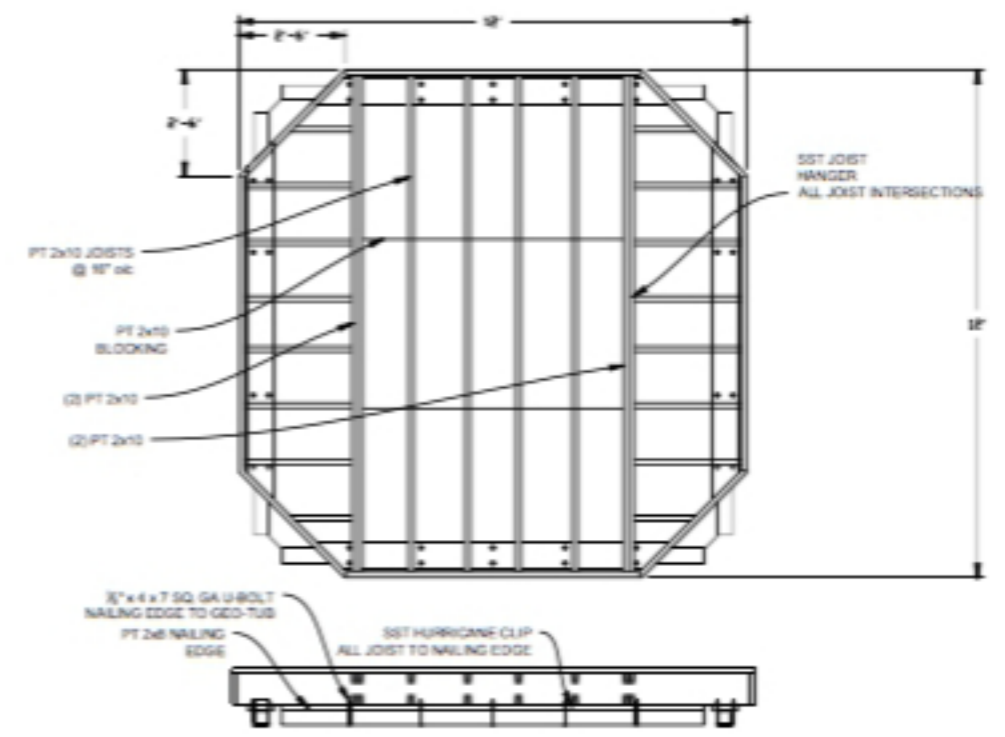
5 TOP BRACKET
SCALE - 1:10



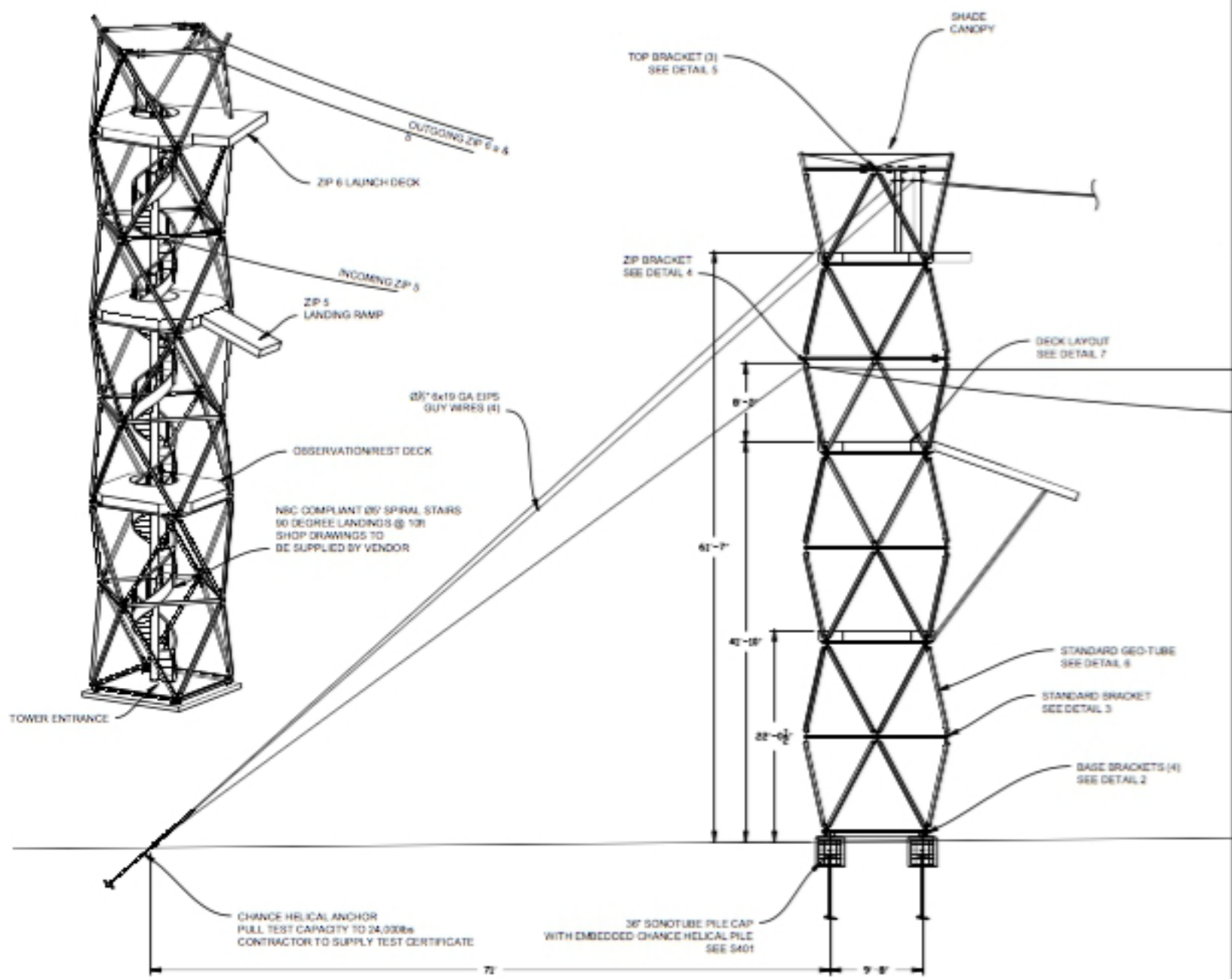
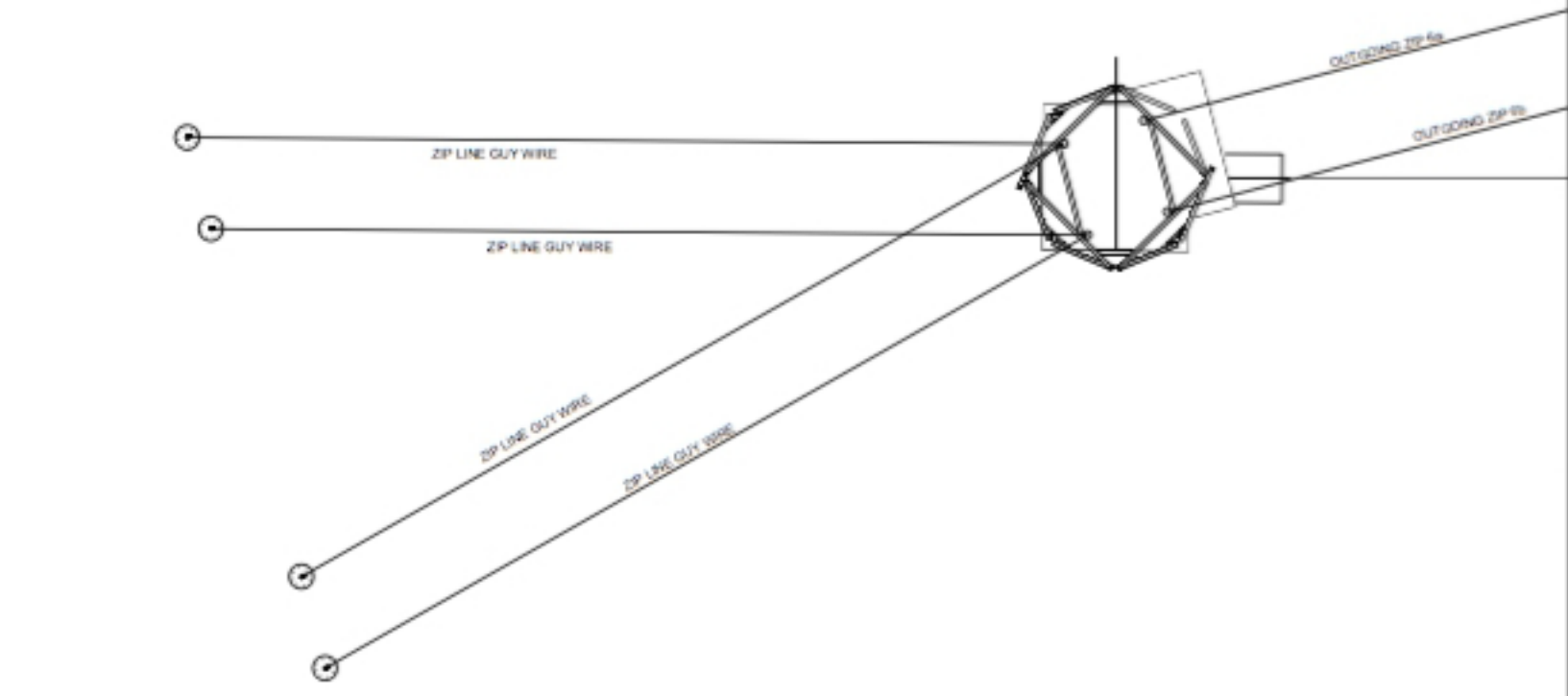
6 STANDARD GEO-TUBE
SCALE - 1:30



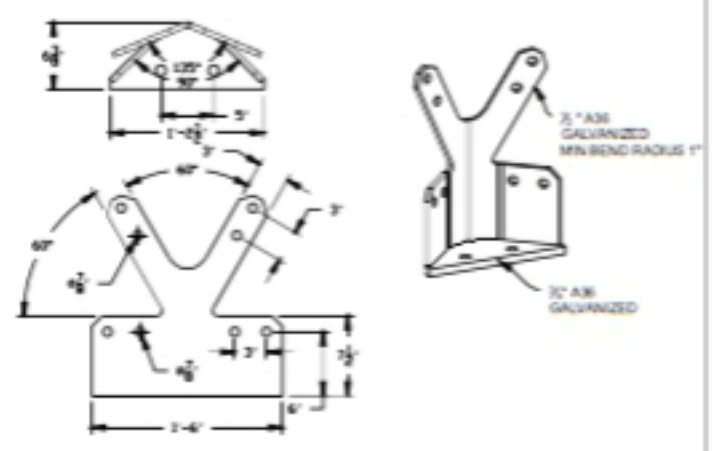
7 DECK LAYOUT
SCALE - 1:10



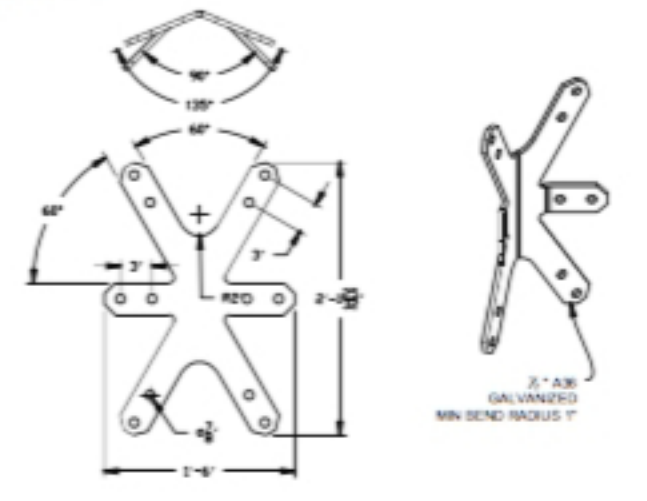
DRAFT



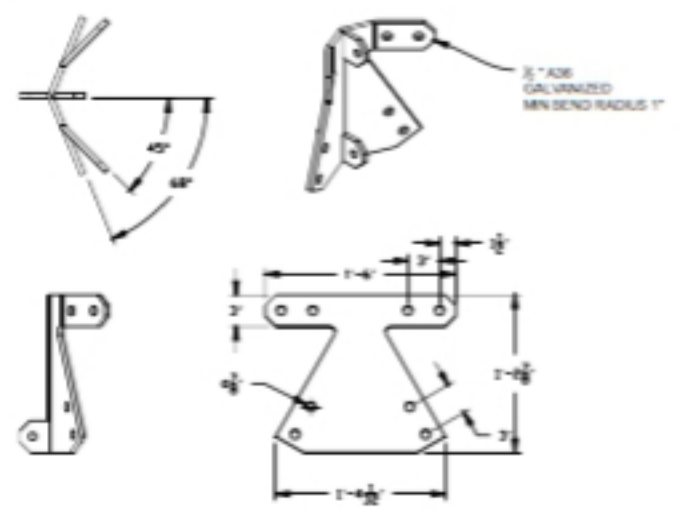
2 BASE BRACKET
SCALE - 1:10



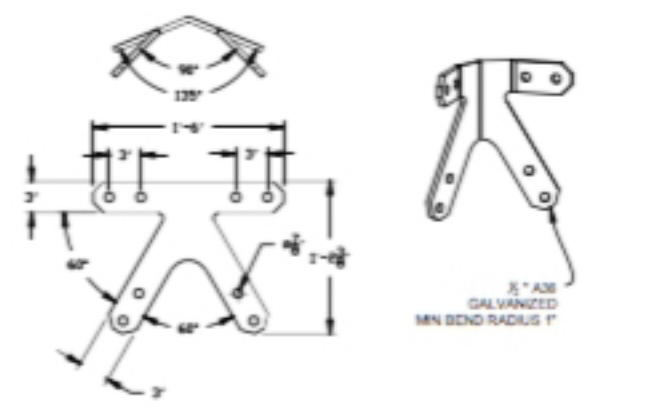
3 STANDARD BRACKET
SCALE - 1:10



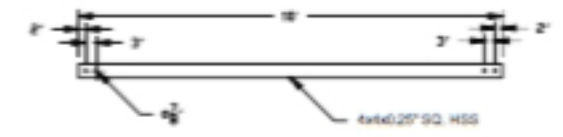
4 ZIP BRACKET
SCALE - 1:10



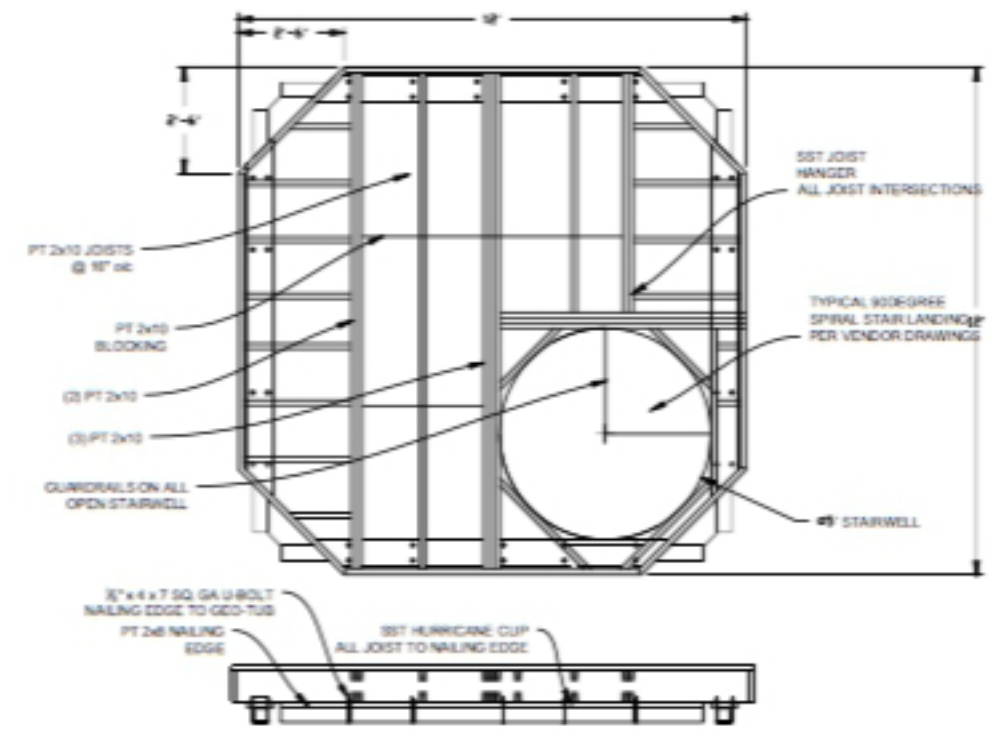
5 TOP BRACKET
SCALE - 1:10



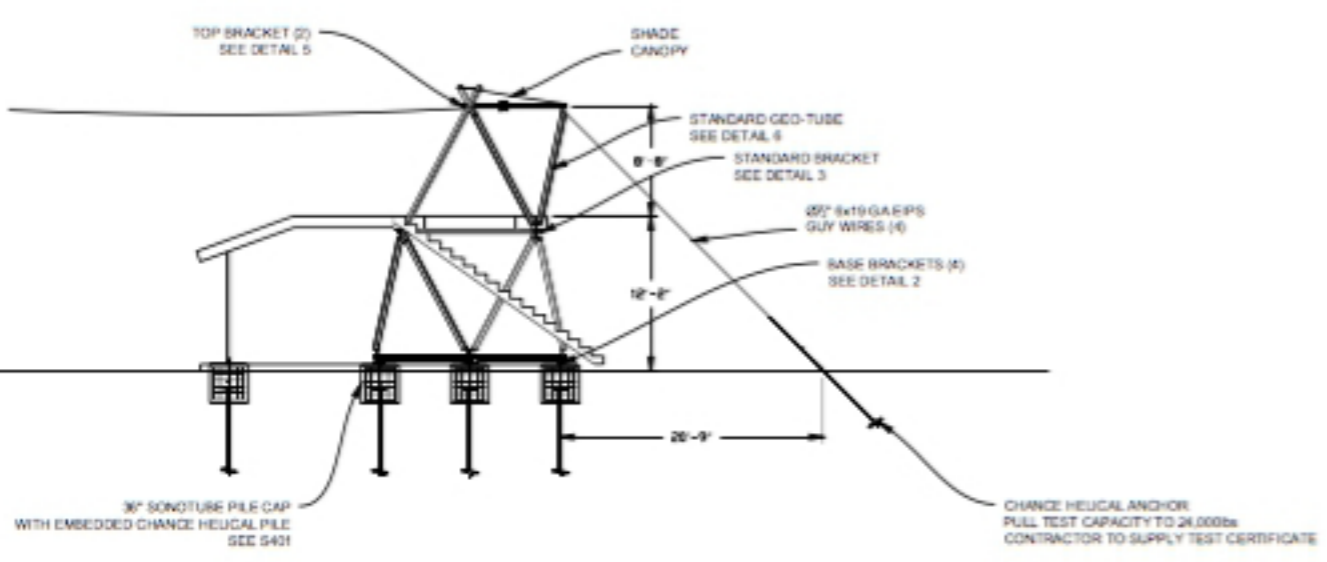
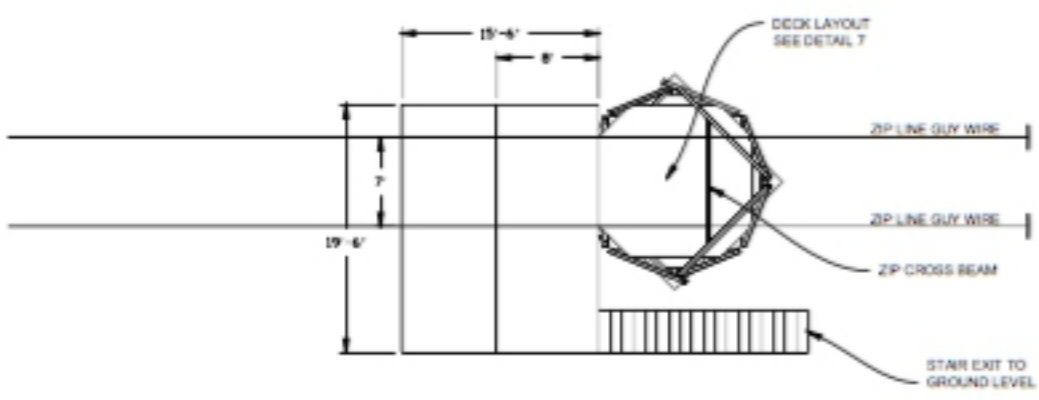
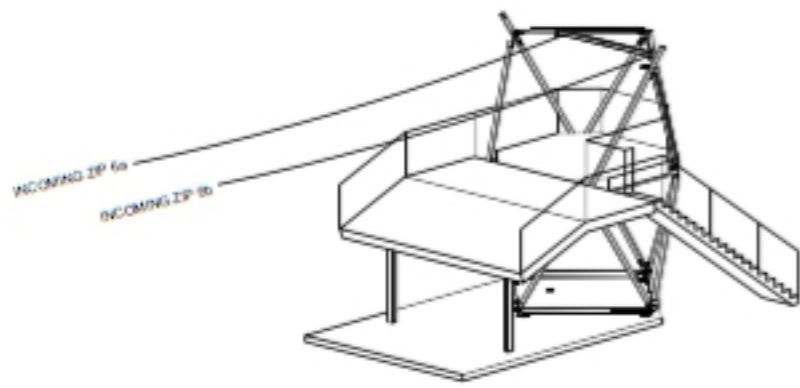
6 STANDARD GEO-TUBE
SCALE - 1:30



7 DECK LAYOUT
SCALE - 1:10

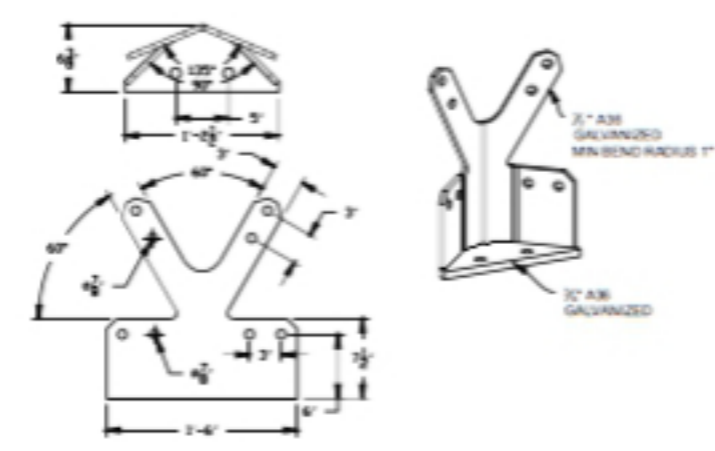


1 TOWER 7 LAYOUT
SCALE - 1:100

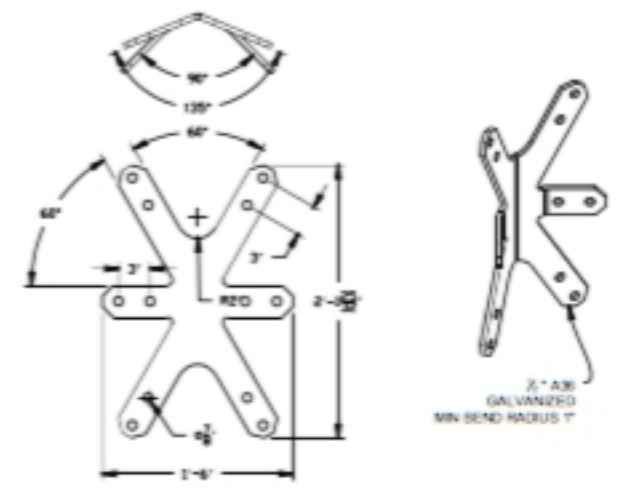


DRAFT

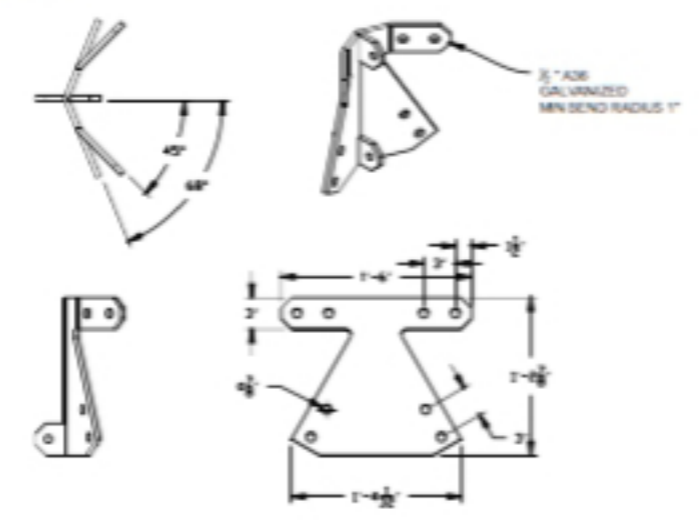
2 BASE BRACKET
SCALE - 1:10



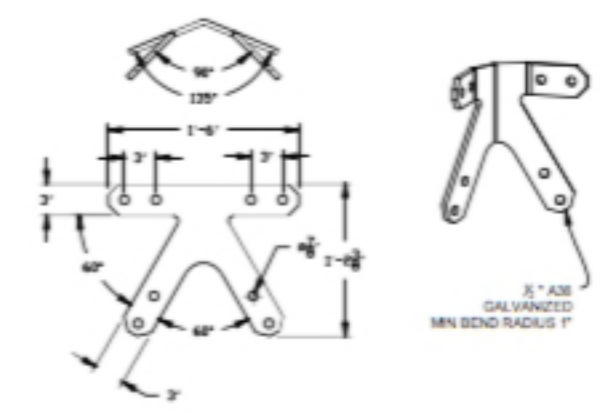
3 STANDARD BRACKET
SCALE - 1:10



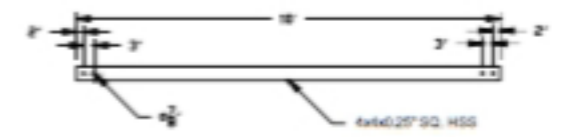
4 ZIP BRACKET
SCALE - 1:10



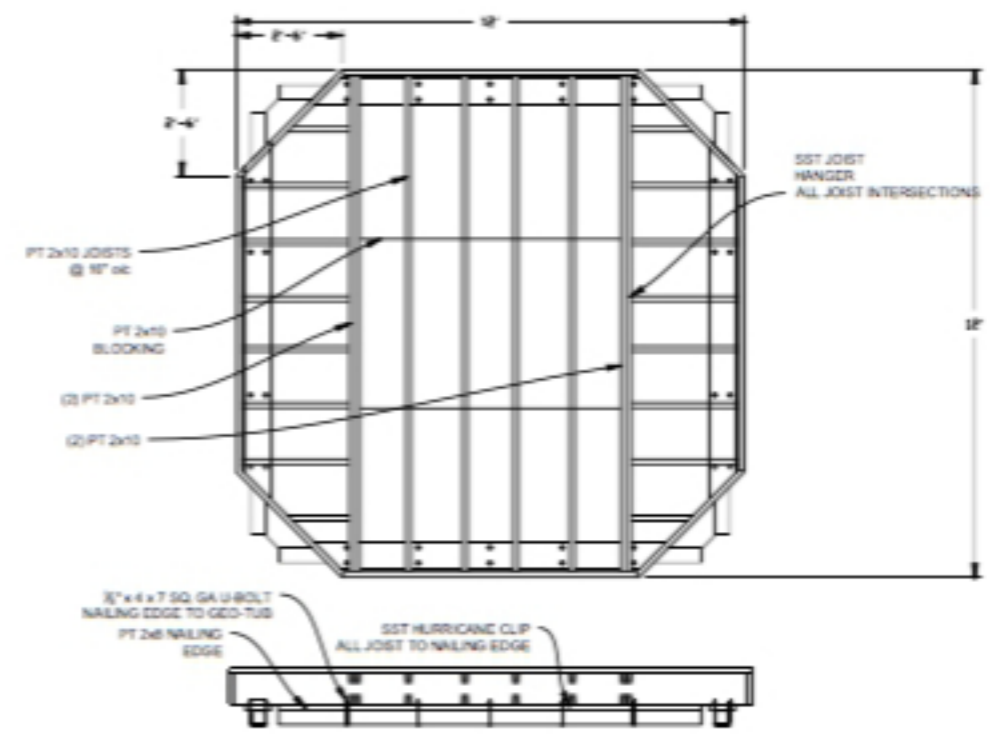
5 TOP BRACKET
SCALE - 1:10



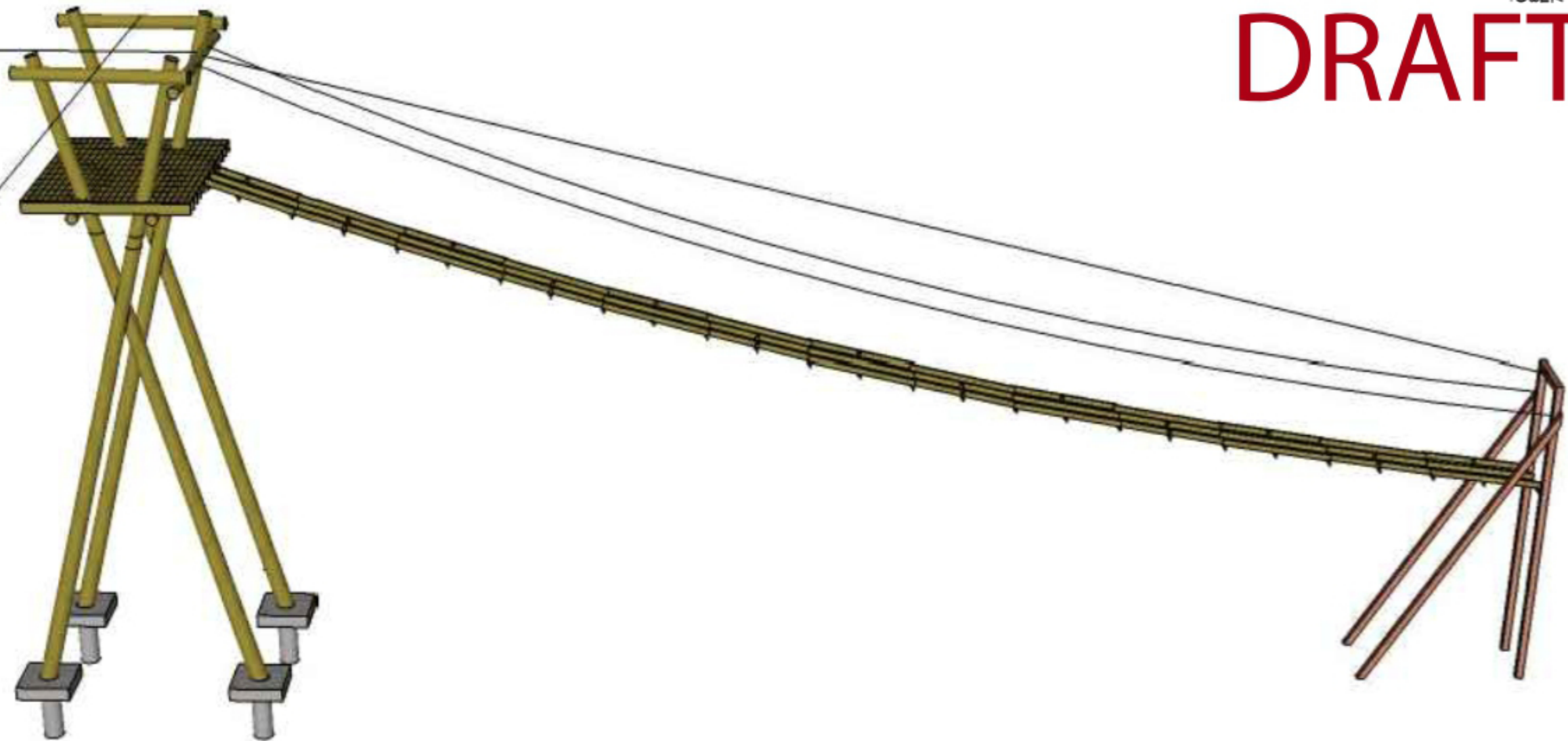
6 STANDARD GEO-TUBE
SCALE - 1:30



7 DECK LAYOUT
SCALE - 1:10



DRAFT



TOWER 3

TOWER 2

TOWER 6

