

Perez & Partners, Inc.  
architecture

ARCHITECT  
Jorge I. Perez, AIA  
AR 95576  
Perez & Partners, Inc.  
AA 26002942  
7720 SW 89 Ct  
Miami, FL 33173  
786.543.9093  
jorge@perezandpartners.com

CLIENT/PROJECT NAME

INTERIOR RENOVATIONS TO  
THE PRESTIGE HOTEL  
(East Building)  
1526 OCEAN DRIVE  
VERO BEACH, FLORIDA 32963

CONSULTANTS

STRUCTURAL ENGINEER:  
Adolfo J. Gonzalez, PE  
2050 Coral Way #502  
Miami, FL 33145  
305.415.8782  
adolfojgonzalezpe@gmail.com

MEP ENGINEER:  
Treasure Coast  
Engineering, Inc.  
4925 13th Lane  
Vero Beach, FL 32966  
772.567.1007  
www.tce.eng.pro

ISSUE/REVISIONS

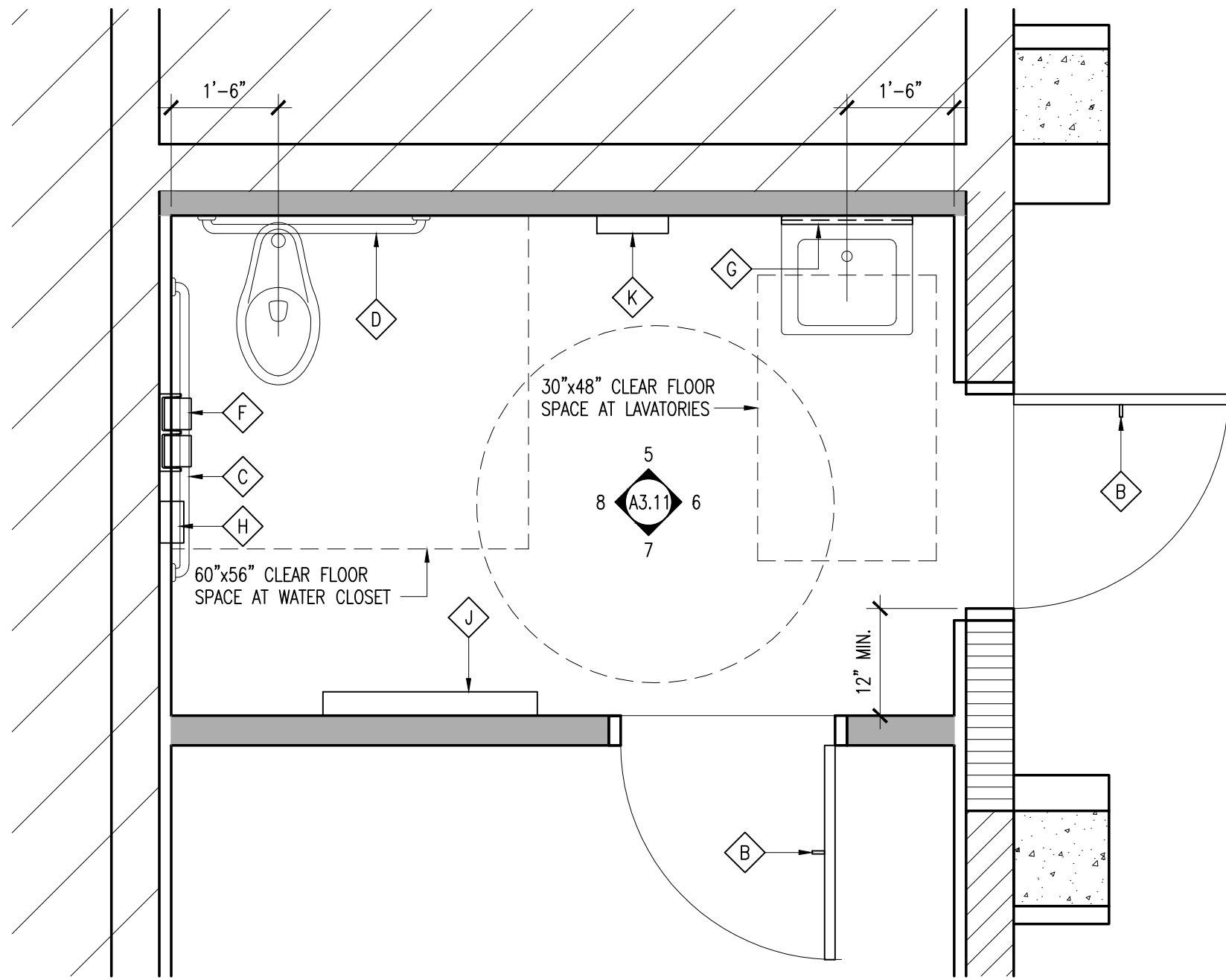
No.	DATE	DESCRIPTION
-	9-14-15	PERMIT SUBMITTAL

PROJECT No. 15-03  
DRAWN BY:  
CHECKED BY:

SEAL

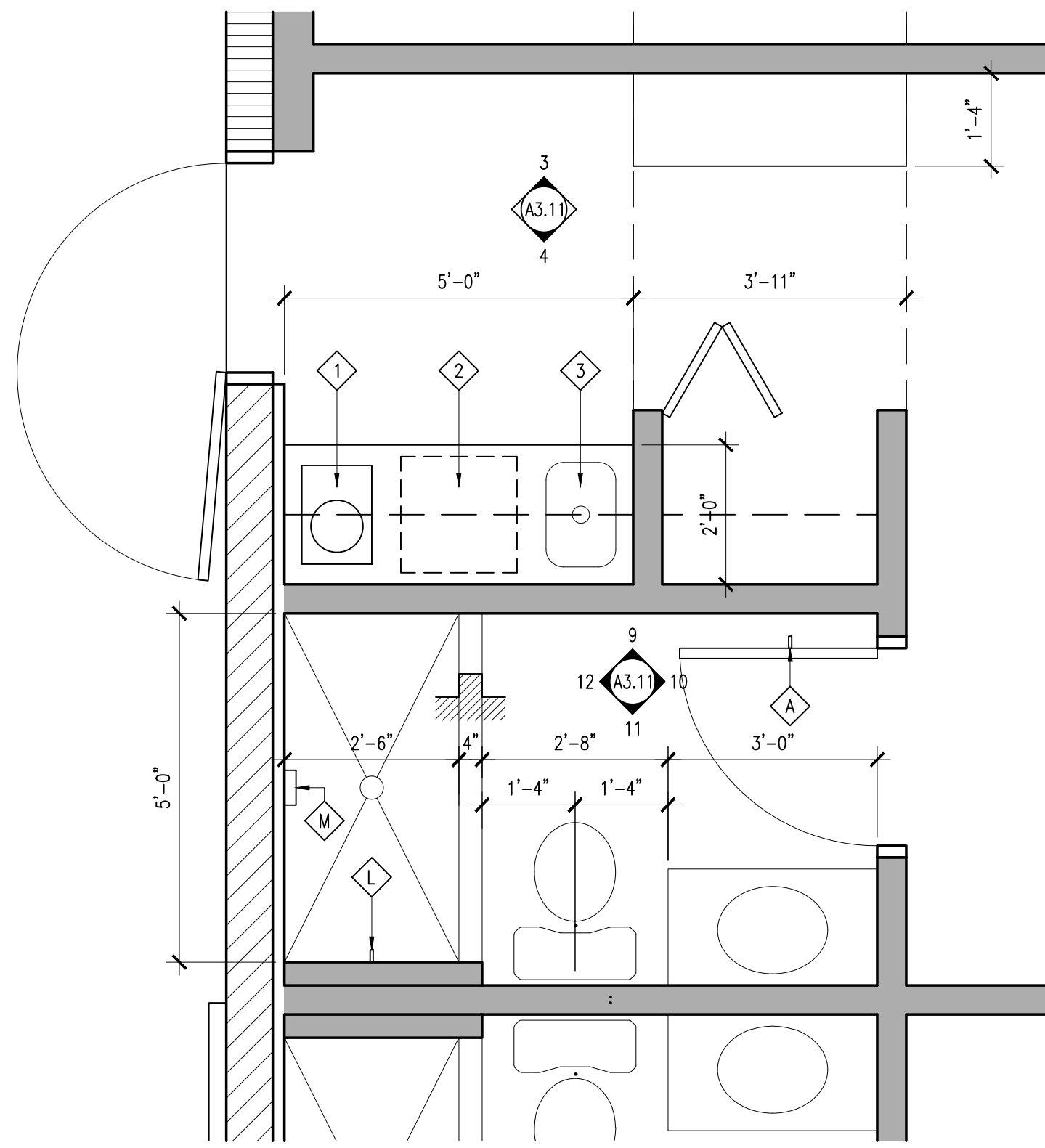
SHEET No.

A3.11



### 1 ENLARGED FLOOR PLAN. NEW POOL RESTROOM

SCALE: 1/2" = 1'-0"



### 2 ENLARGED FLOOR PLAN. TYP BATHRM/KITCHENETTE

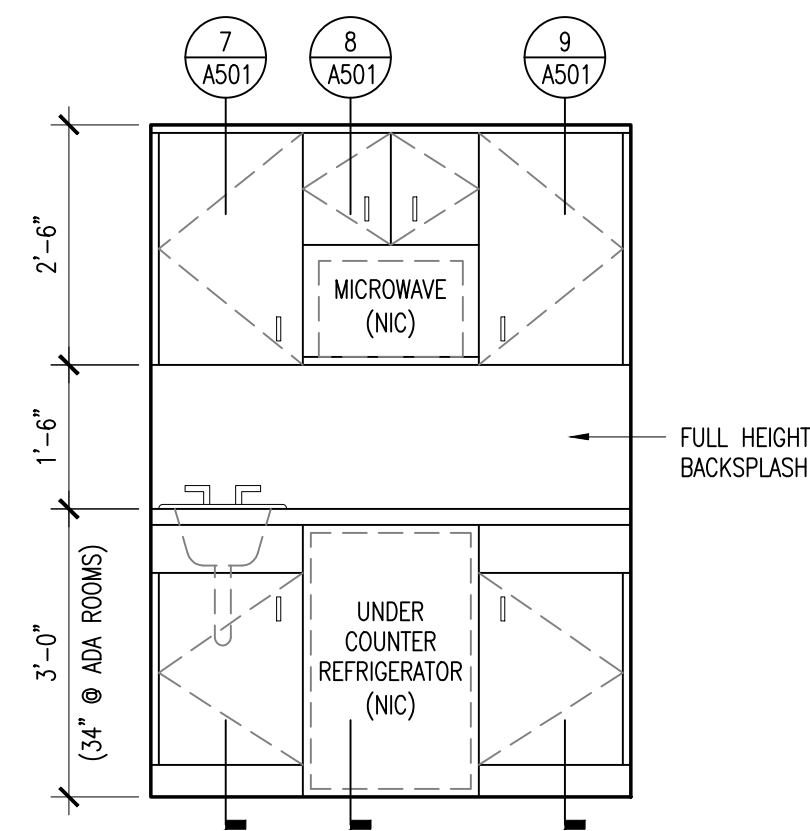
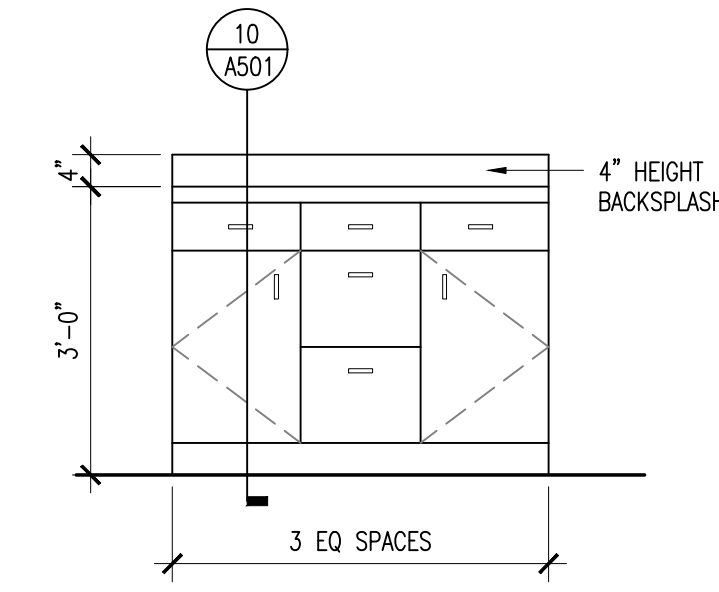
SCALE: 1/2" = 1'-0"

#### FLOOR PLAN KEY NOTES

- 1 15" FRAMELESS CERAMIC GLASS COOKTOP BY 'KITCHENAID' OR SIMILAR (MODEL NO. KECC056RBL)
- 2 24" UNDER COUNTER REFRIGERATOR
- 3 BAR SINK UNDER MOUNT TO COUNTERTOP

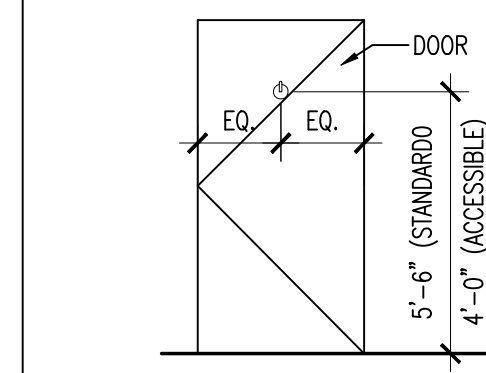
### 3 INTERIOR ELEVATION

SCALE: 1/2" = 1'-0"

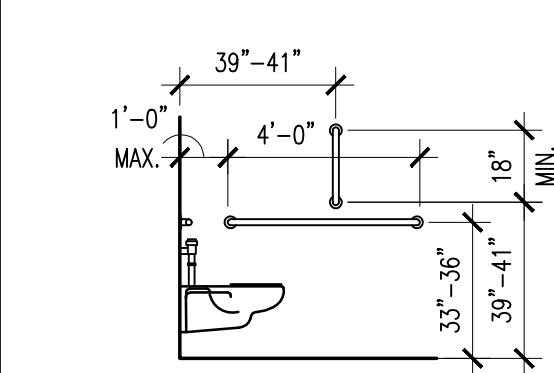


### 4 INTERIOR ELEVATION

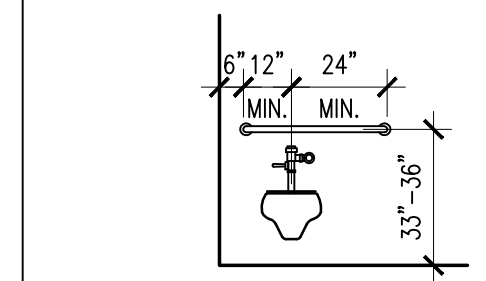
SCALE: 1/2" = 1'-0"



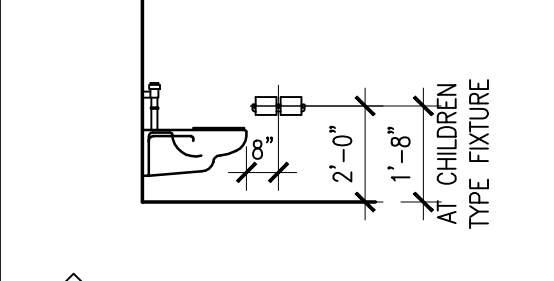
- A COAT HOOK STANDARD MOUNTING
- B COAT HOOK ACCESSIBLE USE MOUNTING



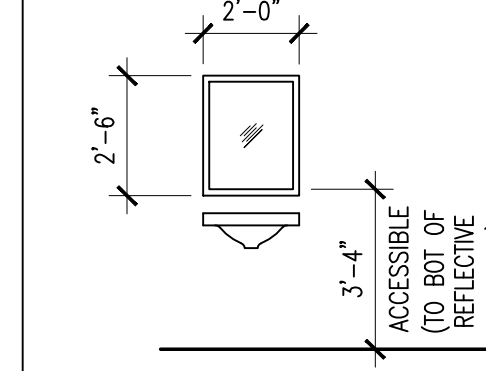
- C SIDE GRAB BARS - ACCESSIBLE WATER CLOSET



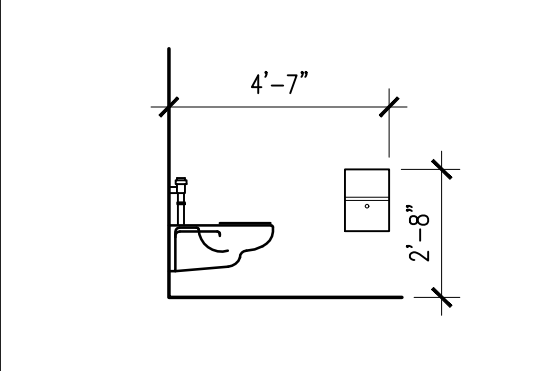
- D REAR GRAB BAR - ACCESSIBLE WATER CLOSET



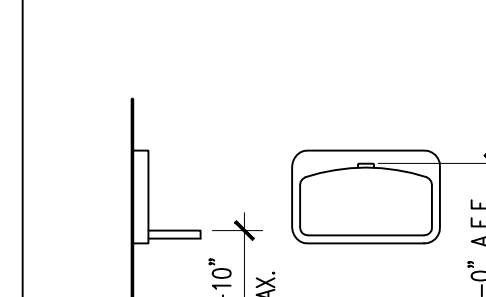
- E TOILET TISSUE DISPENSER
- F DOUBLE TOILET TISSUE DISPENSER



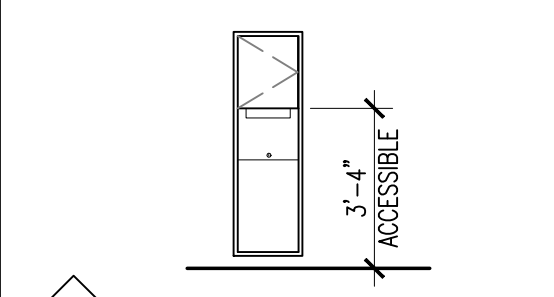
- G STANDARD FRAMED MIRROR



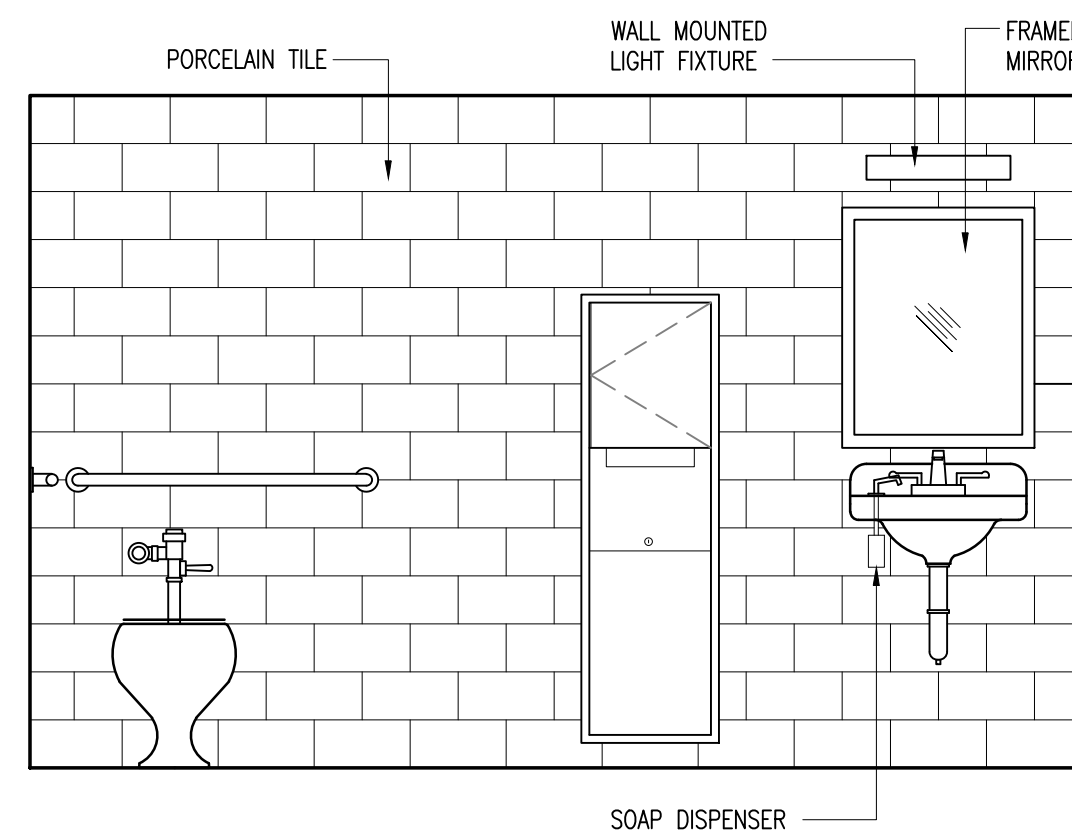
- H SANITARY NAPKIN DISPOSAL



- J DIAPER CHANGING STATION

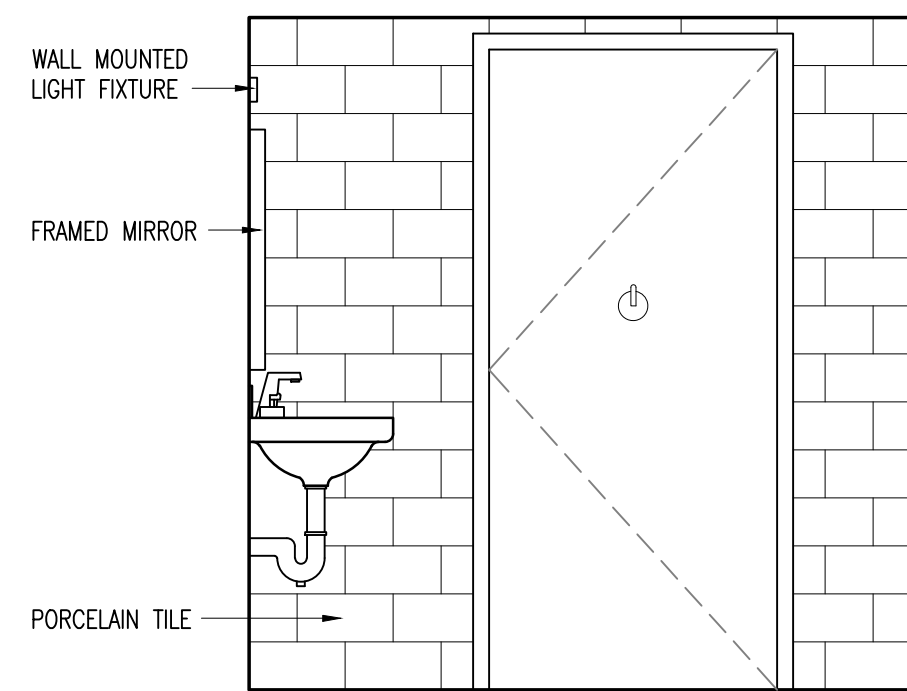


- K SEMI-RECESSED PAPER TOWEL DISPENSER & WASTE RECEPTACLE
- K-1 RECESSED PAPER TOWEL DISPENSER & WASTE RECEPTACLE
- K-2 SURFACE MOUNTED PAPER TOWEL DISPENSER & WASTE RECEPTACLE



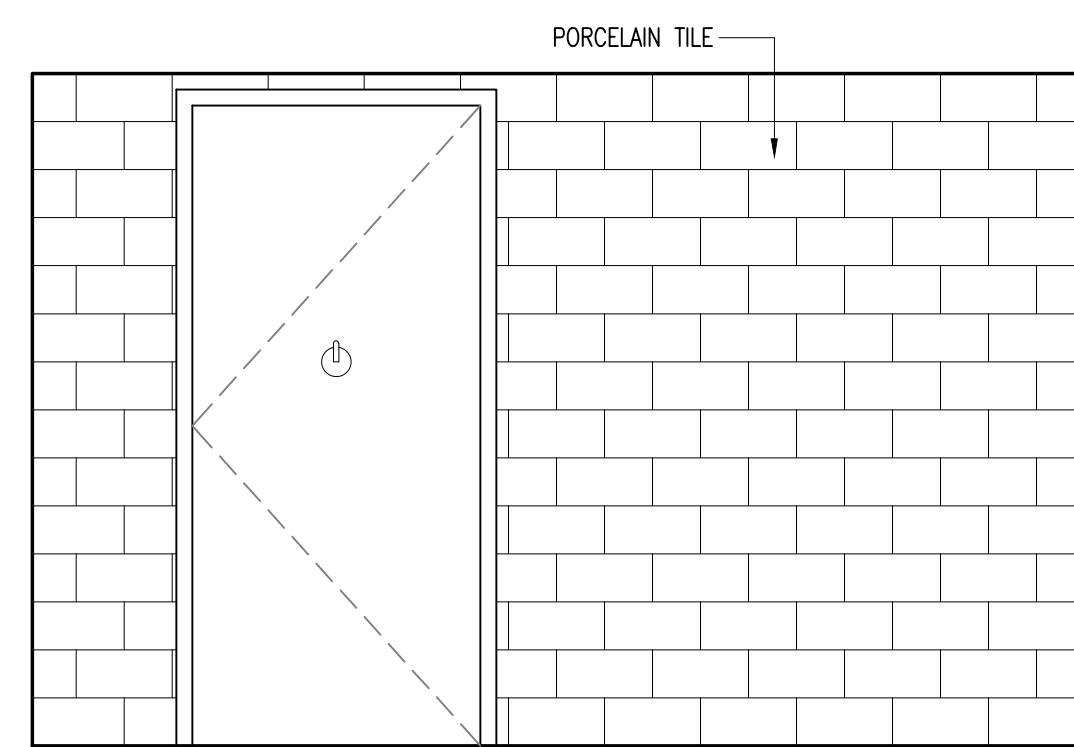
### 5 INTERIOR ELEVATION

SCALE: 1/2" = 1'-0"



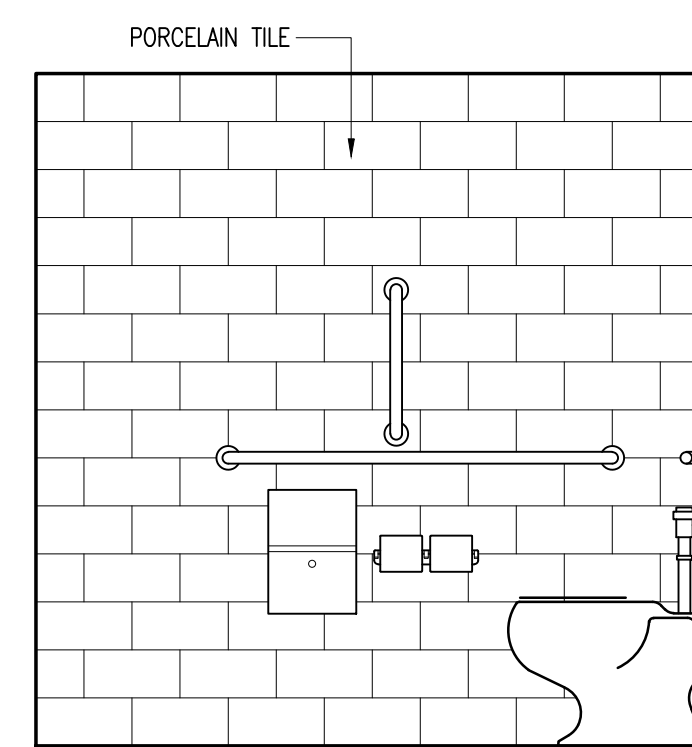
### 6 INTERIOR ELEVATION

SCALE: 1/2" = 1'-0"



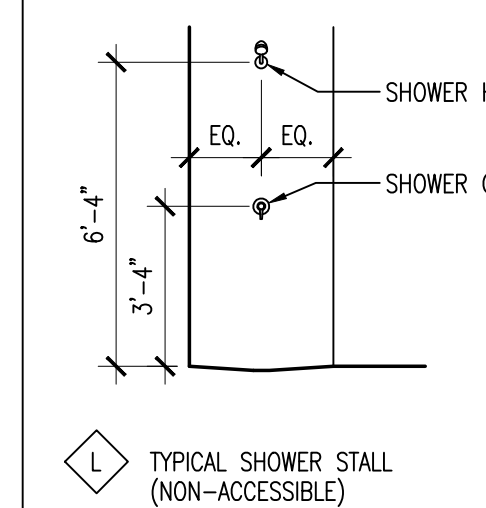
### 7 INTERIOR ELEVATION

SCALE: 1/2" = 1'-0"

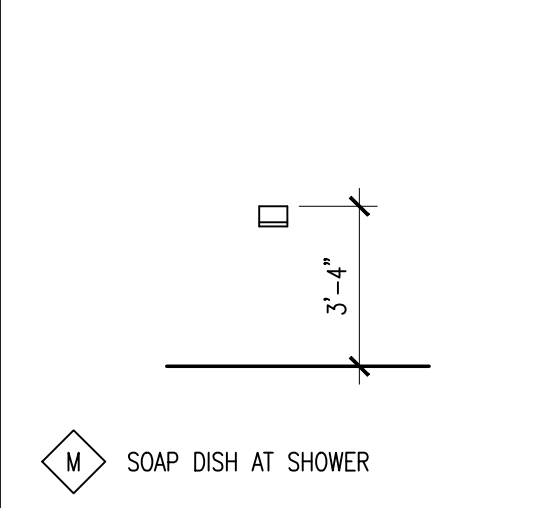


### 8 INTERIOR ELEVATION

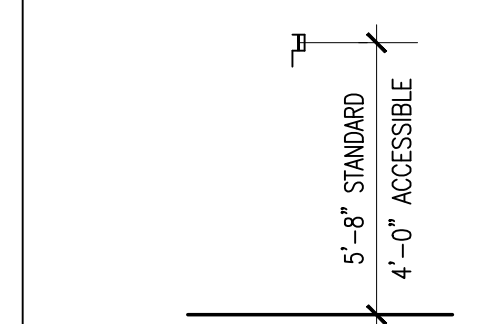
SCALE: 1/2" = 1'-0"



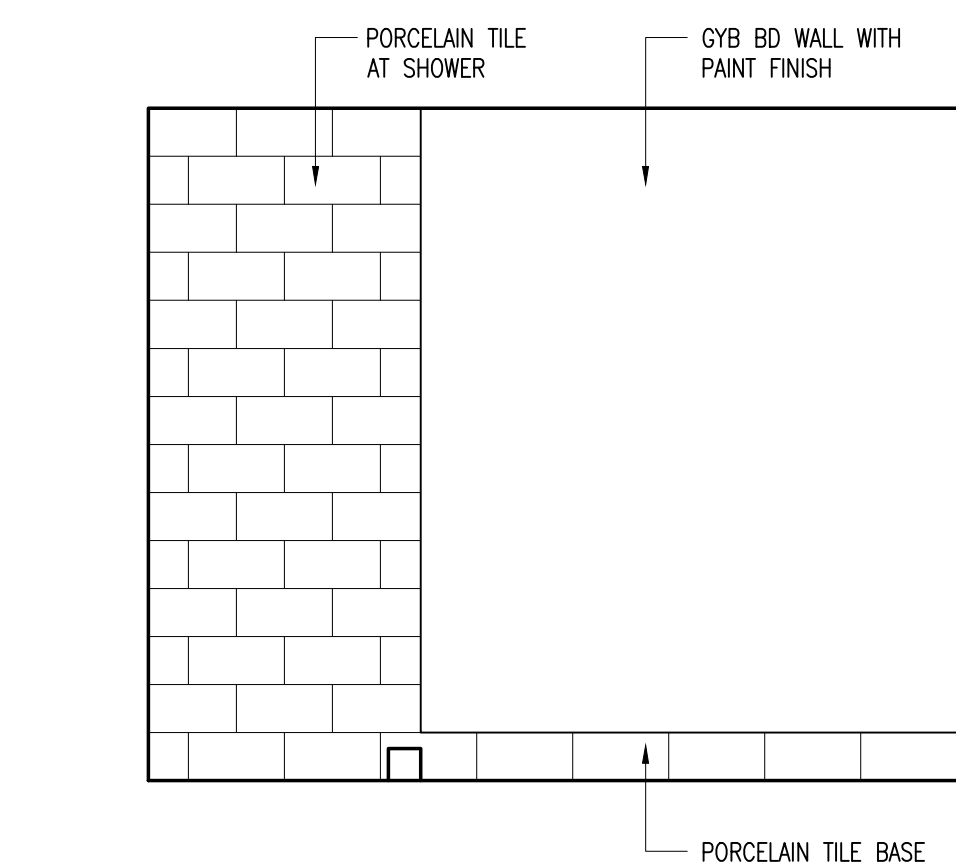
- L TYPICAL SHOWER STALL (NON-ACCESSIBLE)



- M SOAP DISH AT SHOWER

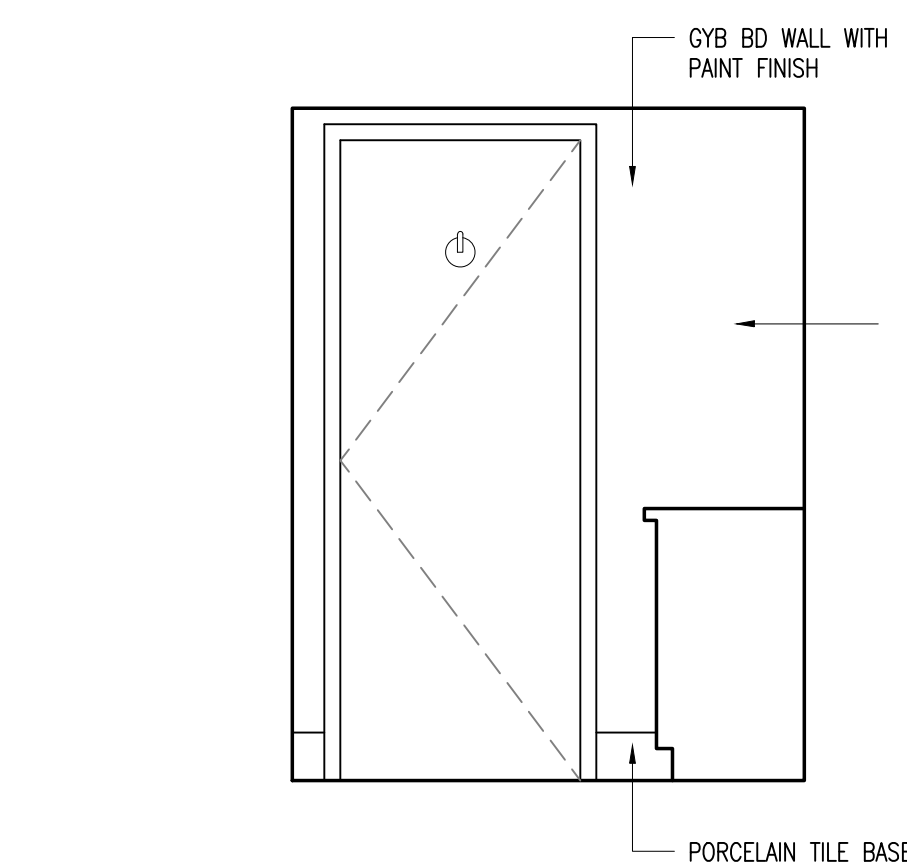


- N-1 TOWEL / ROBE HOOK STANDARD MOUNTING
- N-2 TOWEL / ROBE HOOK ACCESSIBLE USE MOUNTING



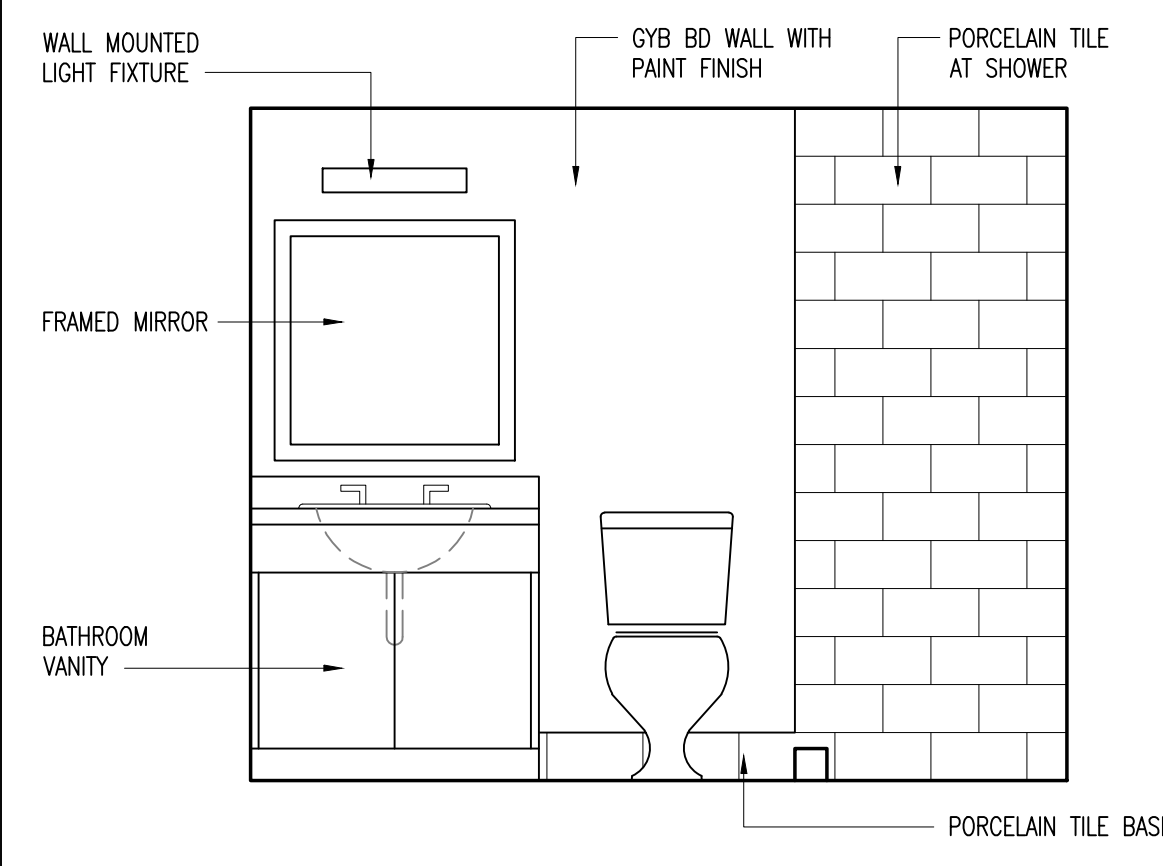
### 9 INTERIOR ELEVATION

SCALE: 1/2" = 1'-0"



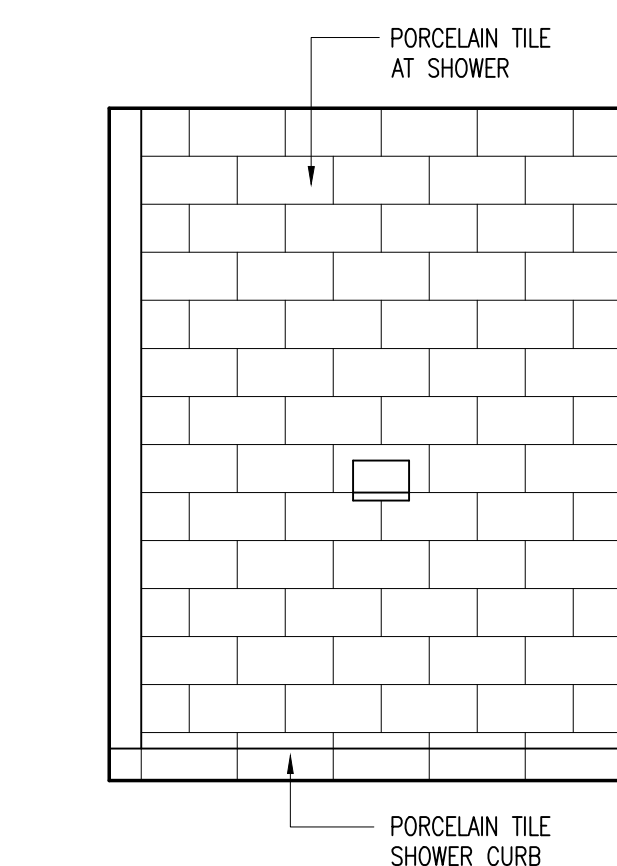
### 10 INTERIOR ELEVATION

SCALE: 1/2" = 1'-0"



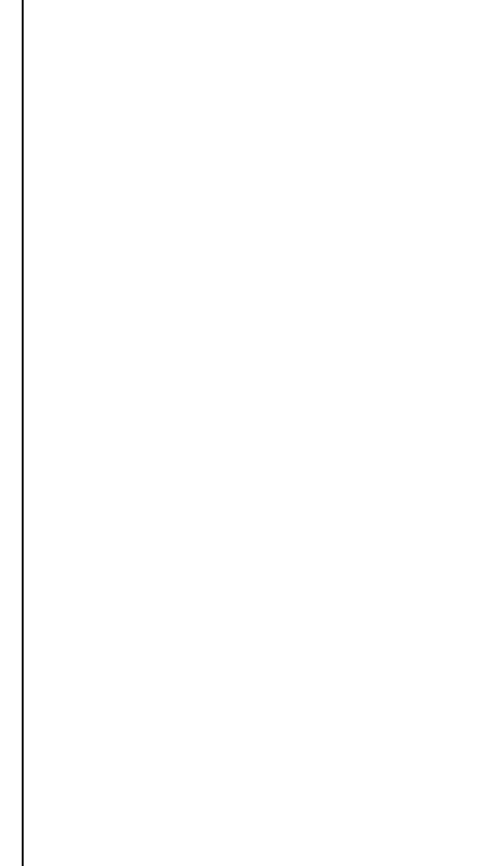
### 11 INTERIOR ELEVATION

SCALE: 1/2" = 1'-0"



### 12 INTERIOR ELEVATION

SCALE: 1/2" = 1'-0"



### 13 TOILET ACCESSORIES

SCALE: N.T.S.