

| | |
|--|------------------|
| FILED | |
| Department of Business and Professional Regulation | |
| Deputy Agency Clerk | |
| CLERK | Brandon Nichols |
| Date | 12/4/2014 |
| File # | |

December 4, 2014

Petition for a Declaratory Statement before the Florida Building Commission

Company: Euramax International Inc. d/b/a Amerimax Home Products
Address: 450 Richardson Drive
Lancaster, PA 17603
(717) 299-3701

Petitioner's Representative: Carl Putnam PE
3441 Ivylink Place
Lynchburg, VA 24503
(434) 384-2514
F(434) 384-6027

DS 2014-152

Statute(s), Agency Rule(s), Agency Order(s) and/or Code Section(s) on which a Declaratory Statement is sought:

Department of Business and Professional Regulation Rule 61G20-3.001

Description: The Petitioner applied for Florida Product Approval (FL17372) for its Equinox rotating louver roof system under the Category **Structural Components** and Subcategory **Roof Deck**. Attachment #1 is technical drawings of the product, Attachment #2 shows some pictures of the installed system. This product is intended for open outdoor structures such as patio covers, carports, outdoor commercial dining spaces and other similar uses. The application was rejected by the department who said the product is outside the scope of Rule 61G20-3.001. Our experience is that local building officials may not have the expertise to evaluate the test report and other technical data and reject the building permit since FPA was not obtained. Attachment #3 is part of (calculations removed) the Evaluation Report submitted for FL17372 which contains a panel span table for various wind conditions and more technical drawings of the rotatable louver. Attachment #4 shows some isometric views of the system in combination with an aluminum framing system

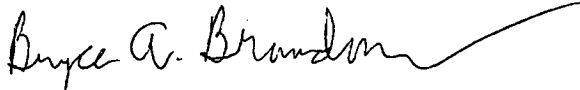
Question: Is this product, which is solely for exterior applications, outside the building envelope and may not apply for Florida Product Approval?

Attachments

1. Equinox Technical Drawings
2. Pictures of Installed Equinox
3. Equinox Evaluation Report CPER-101
4. Equinox Isometric Drawings w/ structural framing

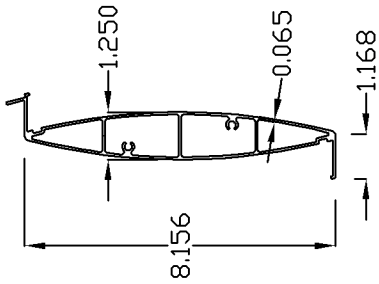
Respectfully submitted,

Euramax International Inc.

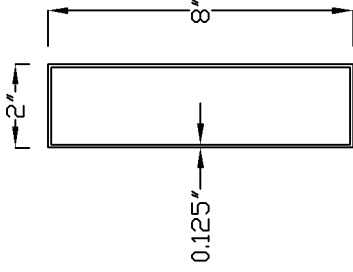


Bryce Brandon
Director of Product Management

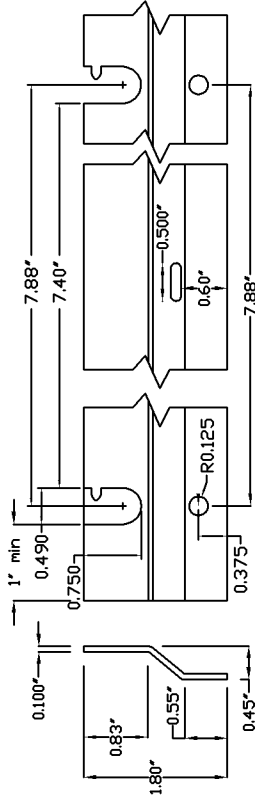
DETAIL F1
EXTRUDED 6063T5
ALUMINUM LOUVER



DETAIL F2
2"x8" EQUINOX HEADER AND
RETURN BEAM
(6061-T6 ALUM. ALLOY)

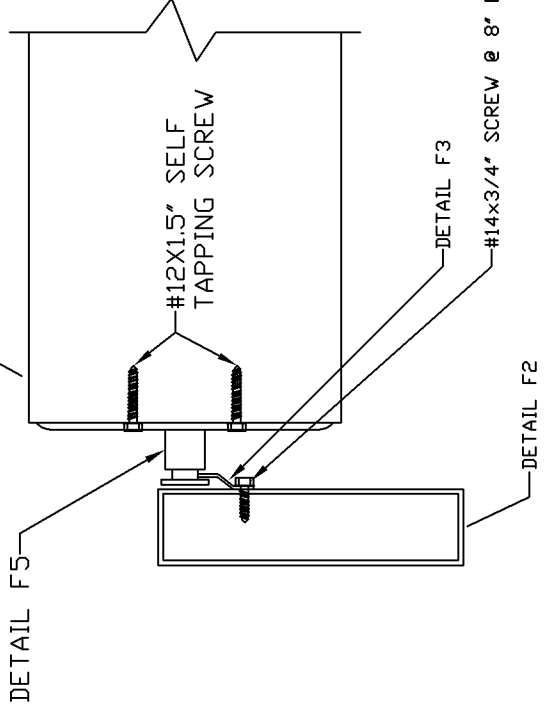


DETAIL F3
EQUINOX LOUVER
MOUNTING RAIL
0.100" 6005A-T5 ALUM

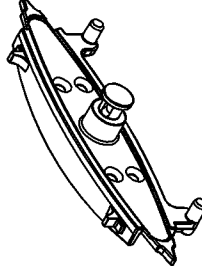


DETAIL F4
EQUINOX LOUVER TO MOUNTING
RAIL TO HEADER CONNECTION

8' EQUINOX ROTATING LOUVER
DETAIL F1



DETAIL F5
CAST ALUMINUM A380 END CAP



| | | | |
|-----------|----------|-------------|---|
| DATE | DRAWN BY | CARL PUTNAM | 3441 IVY LINK PLACE COLUMBIA, SC 29904 4242 SPA-214 CARLPUTNAM@CASTNET |
| 9/19/2014 | CMP | P.E. | |
| | | CLIENT | AMERIMAX EXTERIOR PRODUCTS |
| | | FILE | EquinoxPlans\FBC_FPA.dwg |
| | | DESS | DETAILS |
| | | | 1 OF 1 |











Evaluation Report

CPER - 101

Date: 11/19/2014

Revised: n/a

Office 434.384-2514 | Fax 434.384.6027

Euramax International, Inc. d/b/a Amerimax Home Products

450 Richardson Drive

Lancaster, PA 17603

(717) 299-3701

www.equinoxroof.com

Ron Wilson

Vice President of Sales

rwilson@amerimax.com

Evaluation Subject:

Equinox Extruded Aluminum Rotatable Louvers for Shade Structures

1.0 Scope:

Product Category: Structural Component

Subcategory: Roof Deck

This report shows this product complies with the 2010 Florida Building Code 1504.1, 1504.9 and Section 1609. This rotating louver system has been tested in accordance with TAS 202.

2.0 Uses: Equinox Aluminum Louvers are metal rotatable roof panels to be used for outdoor recreational living, carports or exterior commercial use.

3.0 Description:

3.1 Louver: The 6063T5 aluminum louver is an extruded shape shown in Detail F1 and in Appendix E of the test report cited in 6.1.

3.2 End Cap: A380 cast aluminum end cap shown in Detail F5.

3.3 Mounting Rail: 6061T6 aluminum extruded mounting rail shown in Detail F3.

3.4: Header: 6061T6 0.125"x2"x8" aluminum extruded header shown in Detail F2. Other headers may be used but equivalent fastening of the mounting rail must be demonstrated.

3.5 Fasteners: #12 and #14 sheet metal screws.

4.0 Design and Installation:

4.1 Design: Use Table 1 in to determine allowable span for 20 psf live loads and appropriate wind condition.

5.0 Conditions of Use:

5.1 Equinox Louvers are for outside recreational living spaces (patio covers), carports and exterior commercial spaces.

5.2 Figures 1609A, B and C will determine relevant local wind speed

5.3 Supporting structure shall be justified by a Florida design professional.

5.4. Louvers are permitted in HVHZ

6.0 Evidence Submitted:

6.1 ATI Test Report # D7097.01-109-18r2

6.2 Louver span calculations

6.3 Extruded Aluminum Louver Die Drawing

6.4 Cast Aluminum End Cap die drawing

Table 1 LOUVER SPANS FOR COMMERCIAL AND PATIO STRUCTURES for 2010 FBC

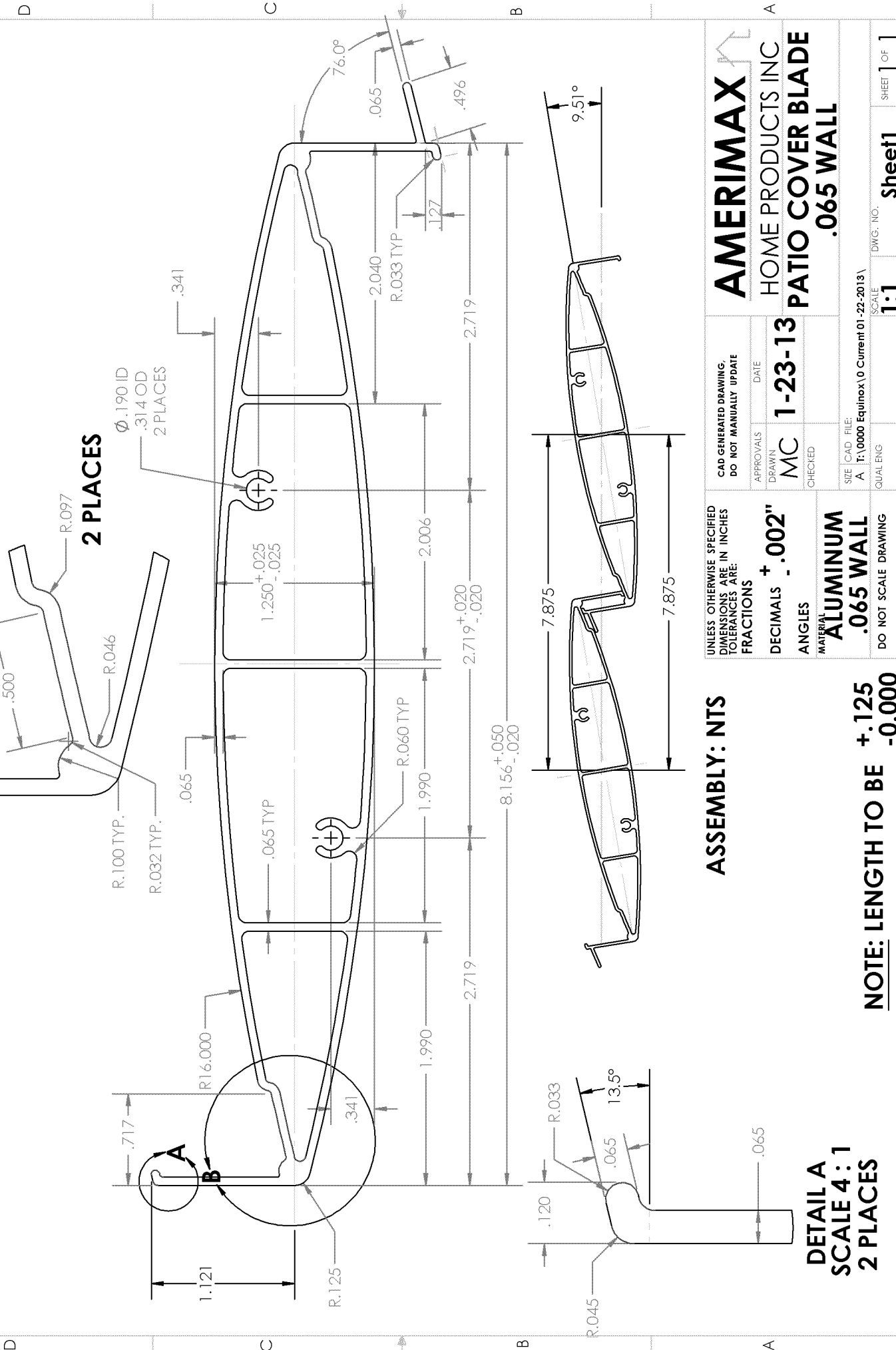
| Roof Design Load (psf) | Equinox Extruded Aluminum Louvers | Wind Speed (mph) | 120 | 130 | 140 | 150 | 160 | 170 | 180 |
|---|-----------------------------------|------------------|--------|--------|---------|--------|---------|--------|--------|
| Allowable spans for Group R-3 occupancy structures | | | | | | | | | |
| 20 | Wind Exposure B | 13'-3" | 13'-3" | 13'-3" | 13'-3" | 13'-3" | 13'-3" | 0'-0" | 0'-0" |
| | Wind Exposure C | 13'-3" | 13'-3" | 13'-3" | 13'-3" | 13'-3" | 13'-3" | 11'-6" | 11'-1" |
| | Wind Exposure D | 13'-3" | 13'-3" | 13'-3" | 12'-11" | 12'-4" | 10'-10" | 10'-5" | |
| Allowable Spans for all other structures | | | | | | | | | |
| 20 | Wind Exposure B | 13'-3" | 13'-3" | 13'-3" | 13'-3" | 13'-3" | 13'-3" | 0'-0" | 0'-0" |
| | Wind Exposure C | 13'-3" | 13'-3" | 13'-3" | 13'-3" | 13'-3" | 13'-3" | 8'-0" | 7'-8" |
| | Wind Exposure D | 13'-3" | 13'-3" | 13'-3" | 12'-11" | 12'-4" | 7'-6" | 7'-2" | |

Notes

- 1 Live/Wind spans are limited by deflection of 60 as permitted by footnote a in Table 1604.3 2010 FBC
- 2 Deflections for 170 and 180 mph winds for R-3 structures are limited by L/80 as per 2010 FBC 1615.3.1 #8
- 3 Deflections for 170 and 180 mph winds for non R-3 structures are limited by L/240 as per 2010 FBC 1615.3.1 #2
- 4 The weight of the louver is 1.9 plf or 2.9 psf.
- 5 These tables are only to be used for exterior shade structures such as patio covers, carports or outdoor dining areas.
- 6 Topographic Factor, Kzt, of 1 is assumed (ASCE7-10 Fig 26.8-1)
- 7 Wind pressures assume a maximum mean roof height of 15'
- 8 Span is the Louver length plus the aluminum mounting rail on both sides, this is usually the inside to inside dimension of the supporting headers
- 9 Panels are allowed in HVHZ
- 10 Exposure B is not allowed in HVHZ

THE INFORMATION CONTAINED IN THIS DRAWING IS THE SOLE PROPERTY OF AMERIMAX HOME PRODUCTS INC. ANY REPRODUCTION IN PART OR WHOLE WITHOUT THE WRITTEN PERMISSION OF AMERIMAX HOME PRODUCTS INC IS PROHIBITED.

**DETAIL B
SCALE 2:1**



**DETAIL A
SCALE 4:1
2 PLACES**

ASSEMBLY: NTS

UNLESS OTHERWISE SPECIFIED DIMENSIONS ARE IN INCHES TOLERANCES ARE:
FRACTIONS ±.002"
DECIMALS ±.002"
ANGLES
MATERIAL ALUMINUM .065 WALL
 DO NOT SCALE DRAWING

CAD GENERATED DRAWING, DO NOT MANUALLY UPDATE
 APPROVALS: DRAWN MC, CHECKED
 DATE: 1-23-13
 SIZE (CAD FILE): A
 FILE: T:\0000 Equip\01 Current 01-22-2013\ Equinox10

AMERIMAX
 HOME PRODUCTS INC
PATIO COVER BLADE
.065 WALL
 SCALE: 1:1
 DWG. NO.:
Sheet 1 of 1
 3/4/2014

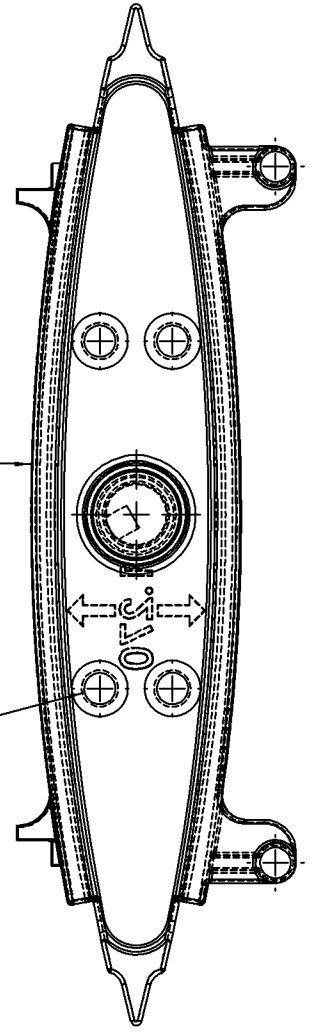
NOTE: LENGTH TO BE +.125 -0.000

THE INFORMATION CONTAINED IN THIS DRAWING IS THE SOLE PROPERTY OF AMERIMAX HOME PRODUCTS INC. ANY REPRODUCTION IN PART OR WHOLE WITHOUT THE WRITTEN PERMISSION OF AMERIMAX HOME PRODUCTS INC IS PROHIBITED.

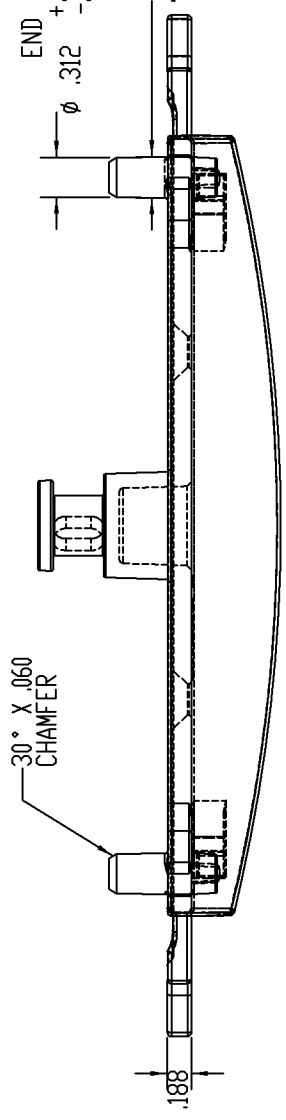
OUTSIDE

R16.200

4X ϕ .246 THRU



30° X .060 CHAMFER

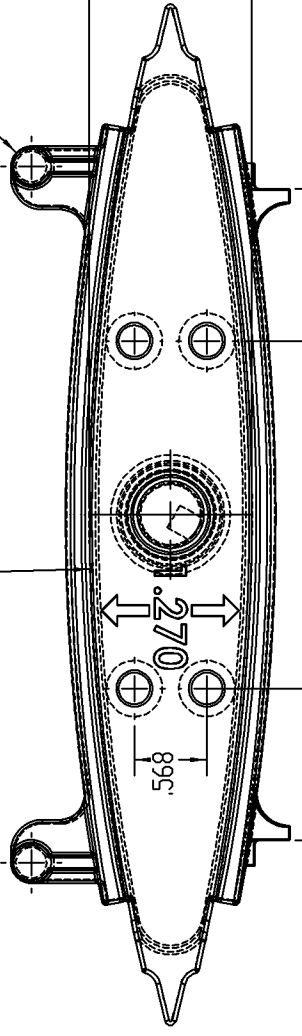


INSIDE

R16.011

5.447

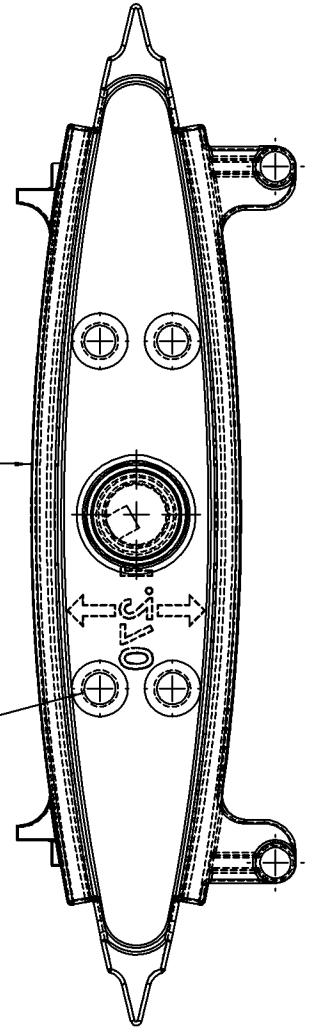
0.72°



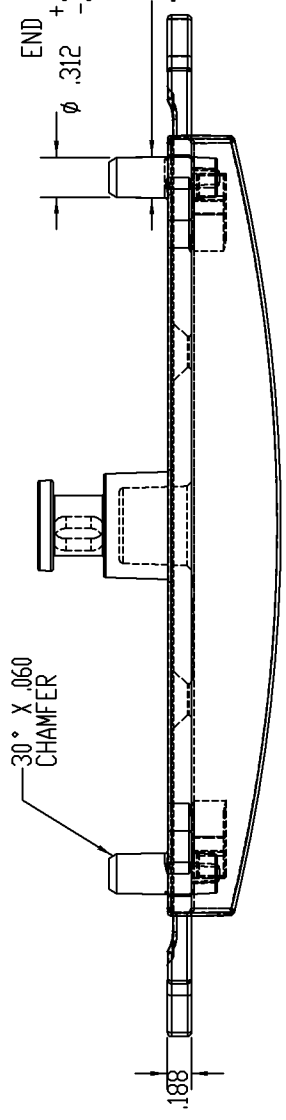
OUTSIDE

R16.200

4X ϕ .246 THRU



30° X .060 CHAMFER

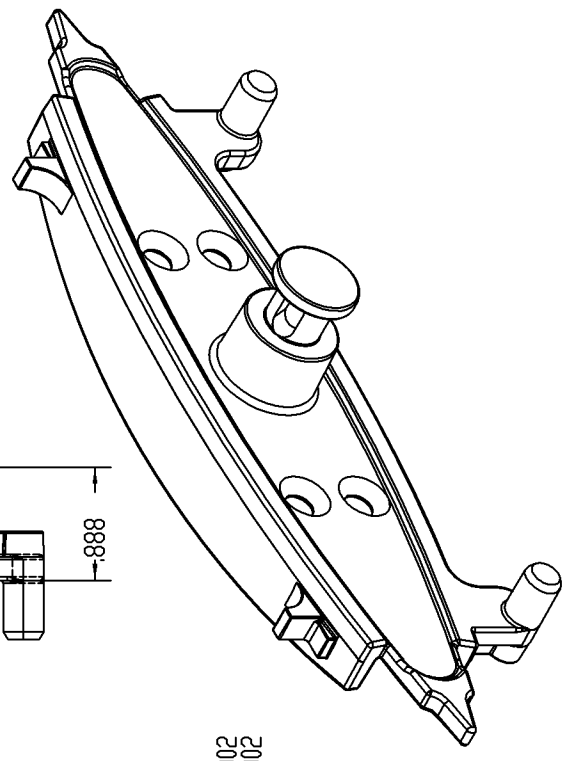
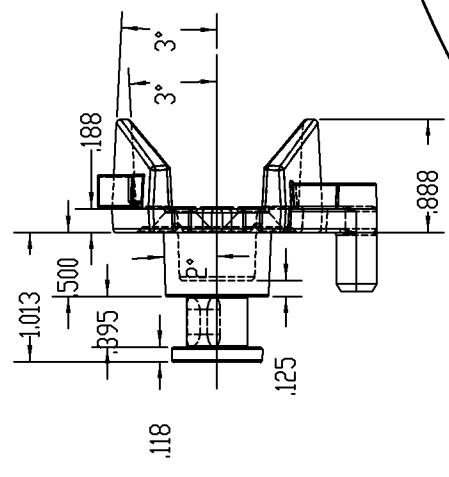
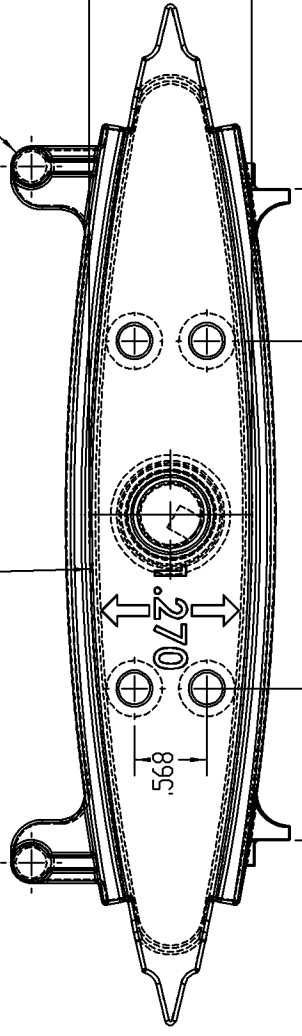


INSIDE

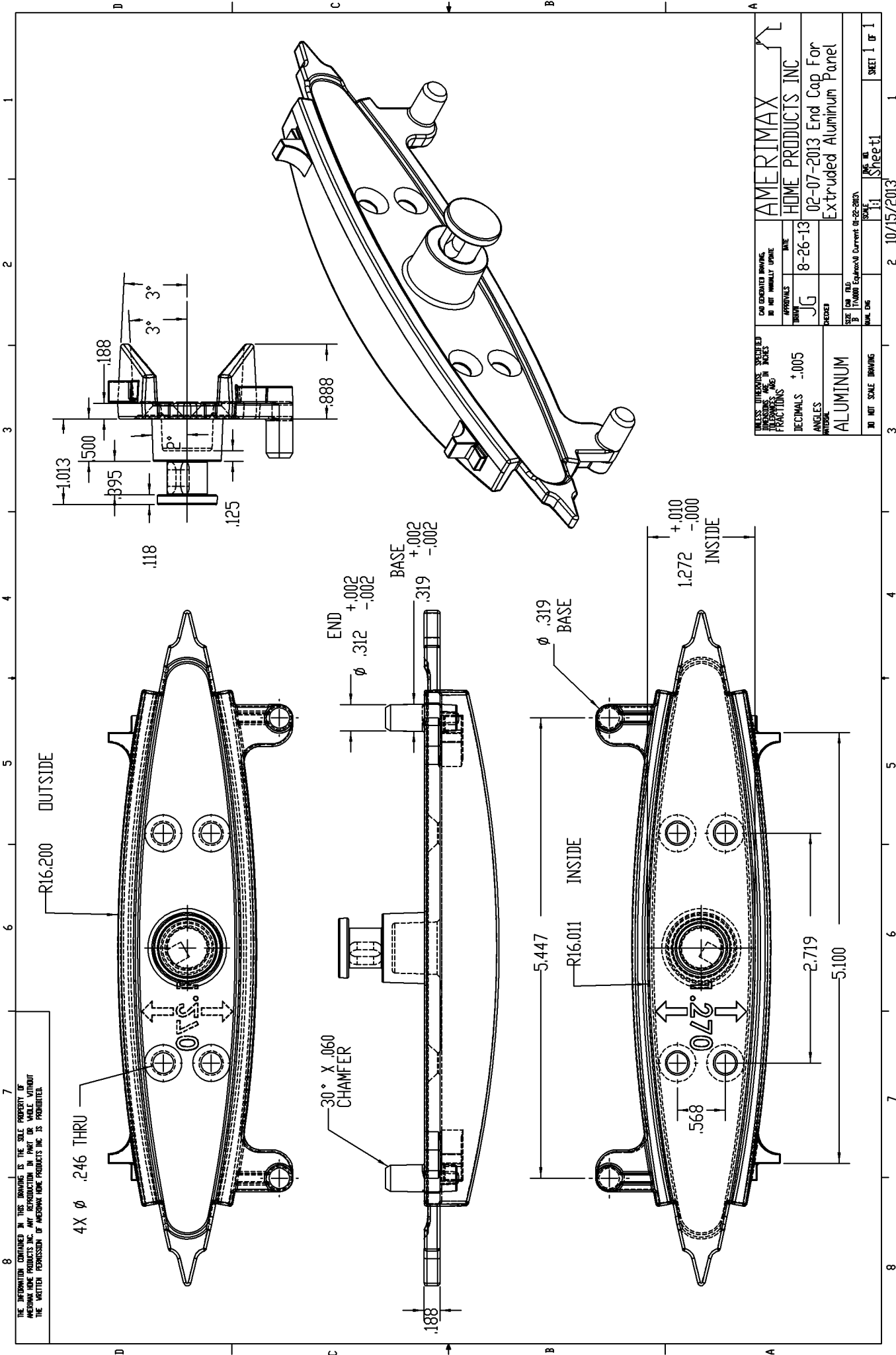
R16.011

5.447

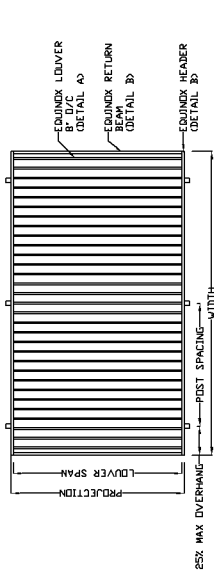
0.72°



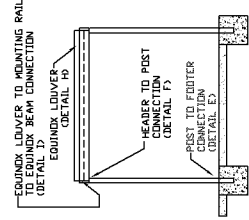
| | | | | | |
|---|--|--|--|------------|--|
| UNLESS OTHERWISE SPECIFIED DIMENSIONS ARE IN INCHES | | DRAWING DATE | | SCALE | |
| DECIMALS ±.005 | | 8-26-13 | | 1:1 | |
| ANGLES WITHIN | | CHECKED | | DATE | |
| ALUMINUM | | BY | | 10/15/2013 | |
| DRAWING | | TITLE | | SHEET | |
| HOME PRODUCTS INC | | 02-07-2013 End Cap For Extruded Aluminum Panel | | 1 OF 1 | |



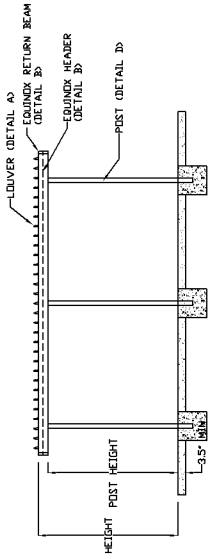
PLAN VIEW



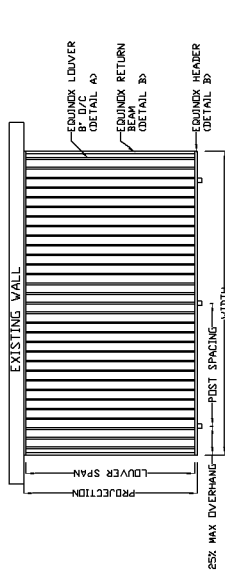
SIDE ELEVATION



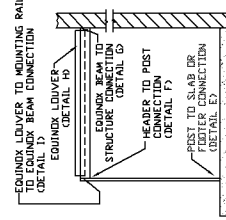
FRONT ELEVATION



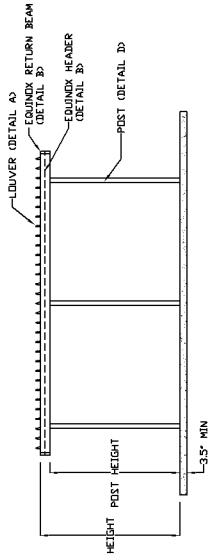
PLAN VIEW



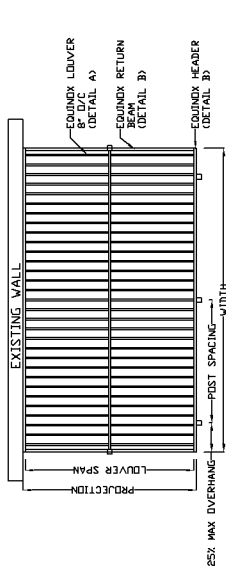
SIDE ELEVATION



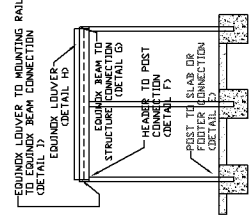
FRONT ELEVATION



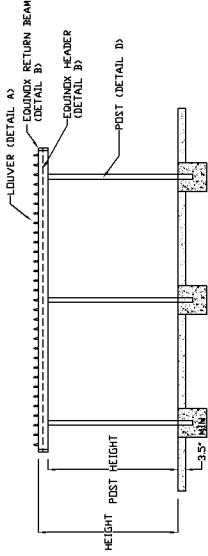
PLAN VIEW



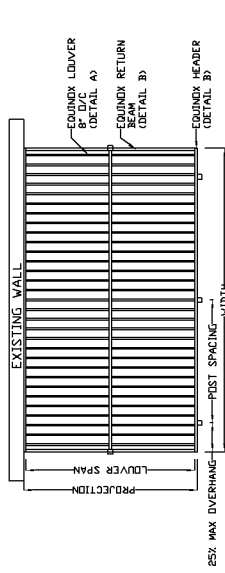
SIDE ELEVATION



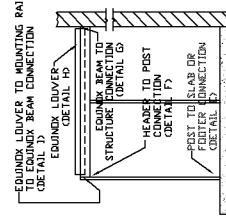
FRONT ELEVATION



PLAN VIEW



SIDE ELEVATION



FRONT ELEVATION

